



US00D904976S

(12) **United States Design Patent** (10) **Patent No.:** **US D904,976 S**
Stoermer (45) **Date of Patent:** **** Dec. 15, 2020**

- (54) **BATTERY ENCLOSURE**
- (71) Applicant: **The Raymond Corporation**, Greene, NY (US)
- (72) Inventor: **Gregory Stoermer**, Aurora, OR (US)
- (73) Assignee: **The Raymond Corporation**, Greene, NY (US)
- (**) Term: **15 Years**
- (21) Appl. No.: **29/717,860**
- (22) Filed: **Dec. 19, 2019**

Related U.S. Application Data

- (62) Division of application No. 29/560,121, filed on Apr. 4, 2016, now Pat. No. Des. 874,394.
- (51) **LOC (12) Cl.** **13-02**
- (52) **U.S. Cl.**
USPC **D13/103**
- (58) **Field of Classification Search**
USPC D13/102–106, 110, 118–119, 184
CPC Y02E 60/12; Y02E 60/122; Y02E 60/124;
Y02E 60/50; H01M 2/02; H01M 2/022;
H01M 2/0202; H01M 2/0207; H01M
2/0212; H01M 2/1061; H01M 2/1022;
H01M 2/1055; H01M 2/1066; H01M
2/105; H01M 2/204; H01M 2/1016;
H01M 2200/00; H01M 10/4257; H01M
10/0436; H01M 10/48; H01M 10/42
See application file for complete search history.

(56) **References Cited**

U.S. PATENT DOCUMENTS

- D602,428 S * 10/2009 Masuda D13/103
- D761,727 S * 7/2016 Arends D13/107
- D772,806 S * 11/2016 Ritterling B25F 5/02
D13/103
- D797,662 S * 9/2017 Constin D13/103

- D815,142 S * 4/2018 Porter D14/488
- D816,605 S * 5/2018 Rowe D13/103
- D846,494 S * 4/2019 Takahashi D13/103
- D848,056 S * 5/2019 Carskadon D26/142
- D848,364 S * 5/2019 Tang D13/103
- D854,588 S * 7/2019 Black D15/81
- 10,525,839 B2 * 1/2020 Chuang H01M 2/0434
- 2010/0255354 A1 * 10/2010 Taya A63H 29/22
429/82

(Continued)

Primary Examiner — Nathaniel D. Buckner

(74) *Attorney, Agent, or Firm* — Quarles & Brady LLP

(57) **CLAIM**

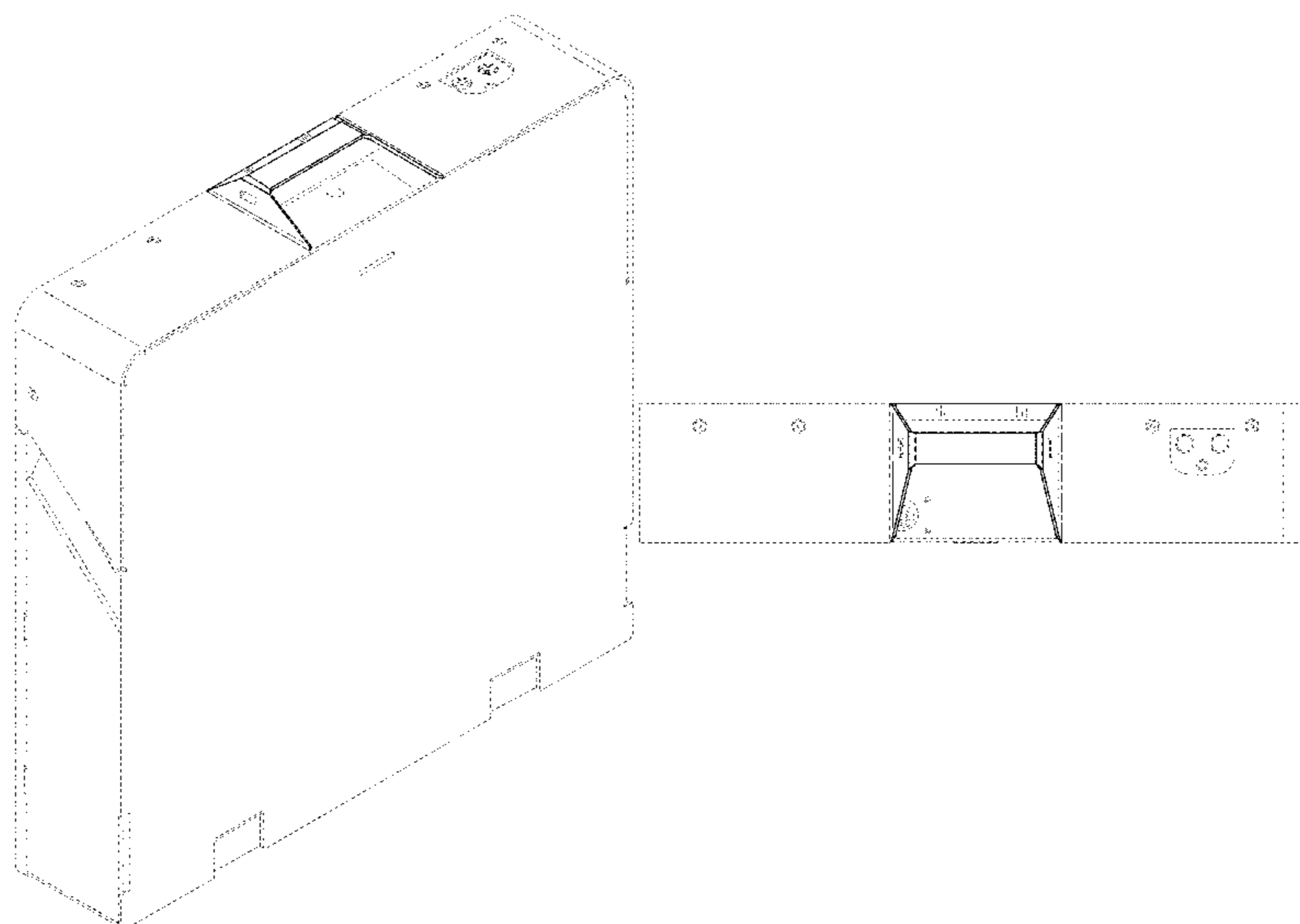
The ornamental design for a battery enclosure, as shown and described.

DESCRIPTION

FIG. 1 is an isometric view of a top, left, and front side of an ornamental design for a battery enclosure;
 FIG. 2 is an isometric view of a bottom, right, and rear side of the battery enclosure of FIG. 1;
 FIG. 3 is a front elevational view of the battery enclosure of FIG. 1;
 FIG. 4 is a rear elevational view of the battery enclosure of FIG. 1;
 FIG. 5 is a right side elevational view of the battery enclosure of FIG. 1;
 FIG. 6 is a left side elevational view of the battery enclosure of FIG. 1;
 FIG. 7 is a top plan view of the battery enclosure of FIG. 1; and,
 FIG. 8 is a bottom plan view of the battery enclosure of FIG. 1.

The dash-dash-dash broken lines are included for the purpose of illustrating portions of the battery enclosure that form no part of the claimed design. Further, the dash-dot-dash-dot broken lines define boundaries of the claimed design and form no part of the claimed design.

1 Claim, 6 Drawing Sheets



(56)

References Cited

U.S. PATENT DOCUMENTS

2019/0322192 A1* 10/2019 Zhongwei B60K 17/00

* cited by examiner

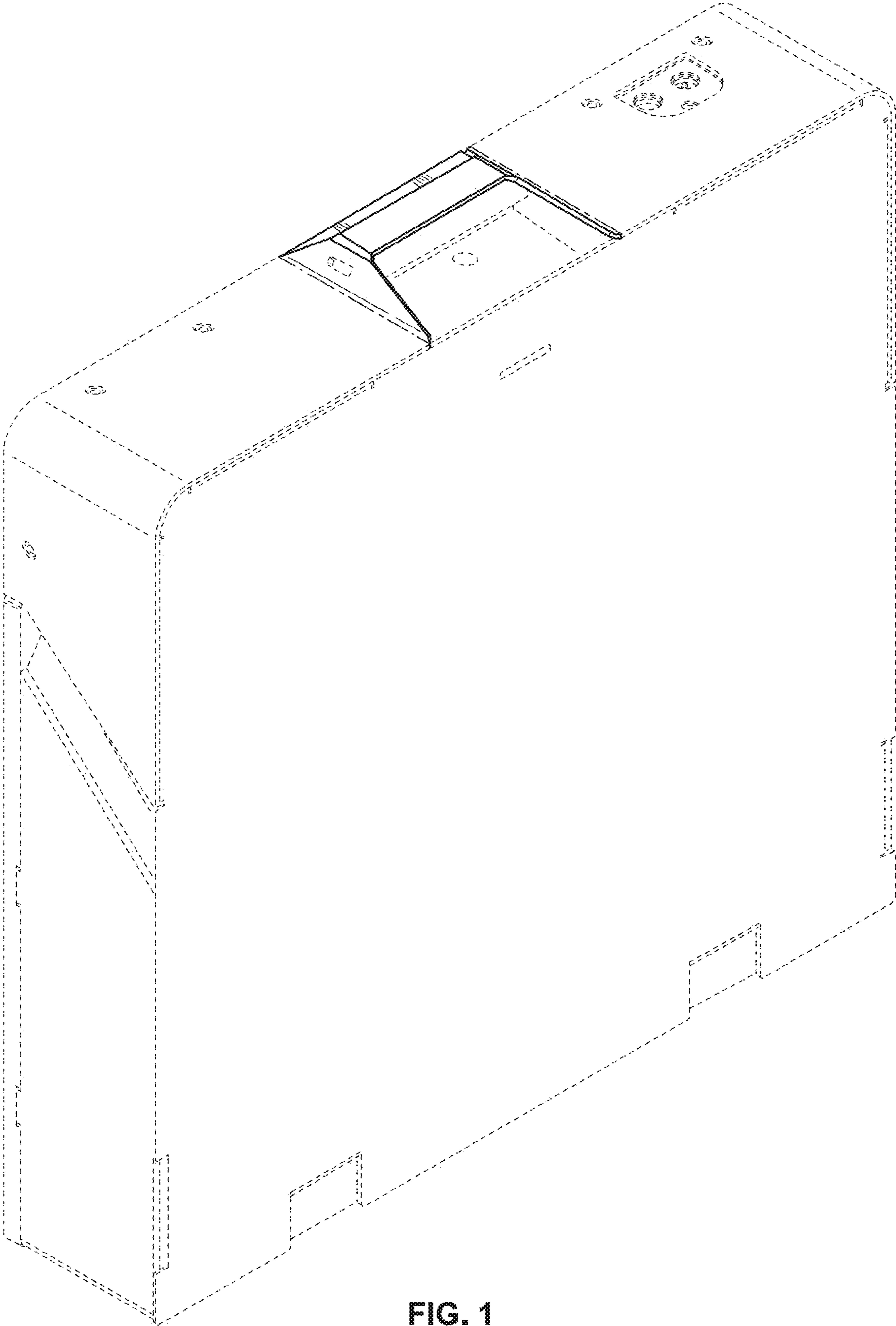


FIG. 1

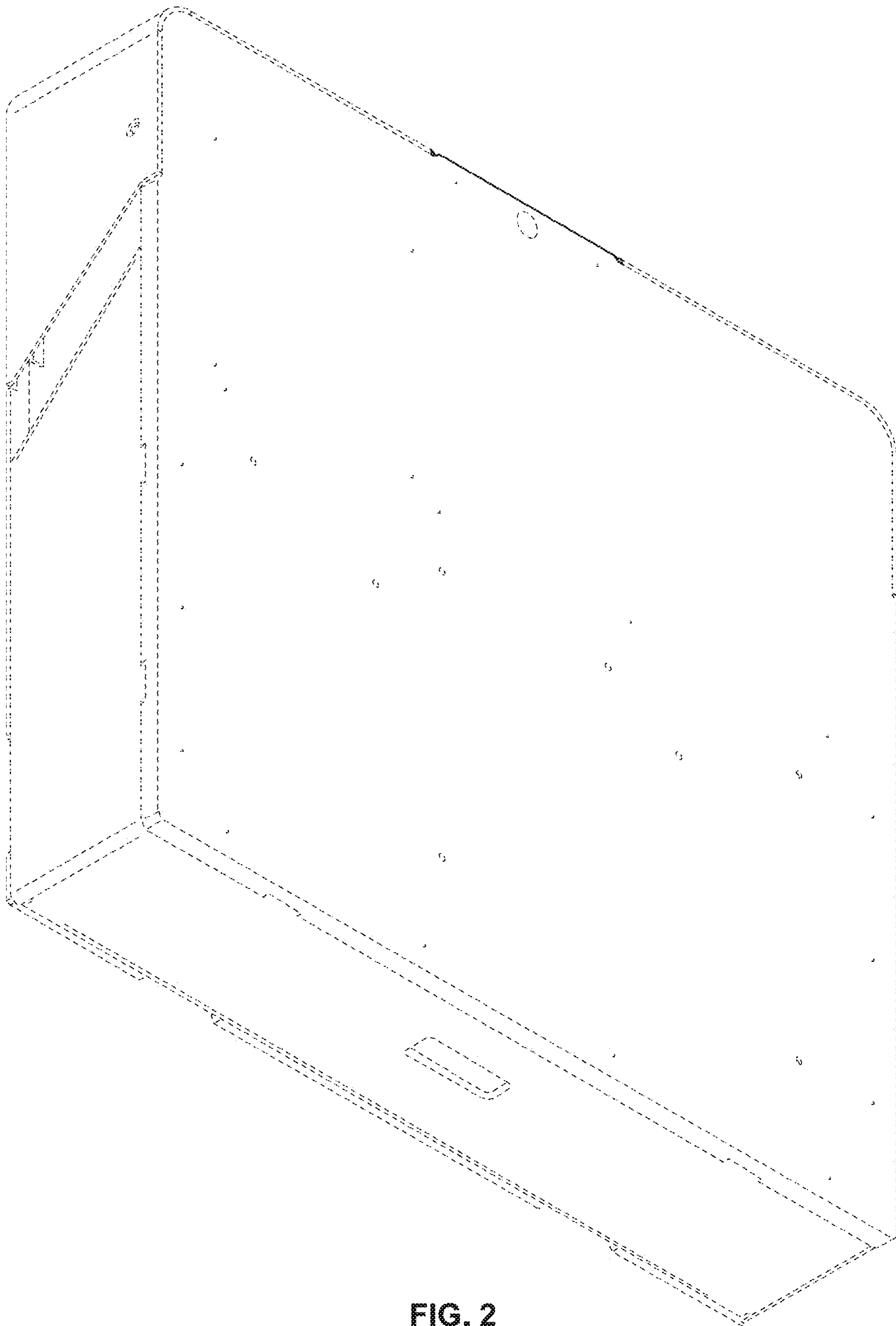


FIG. 2

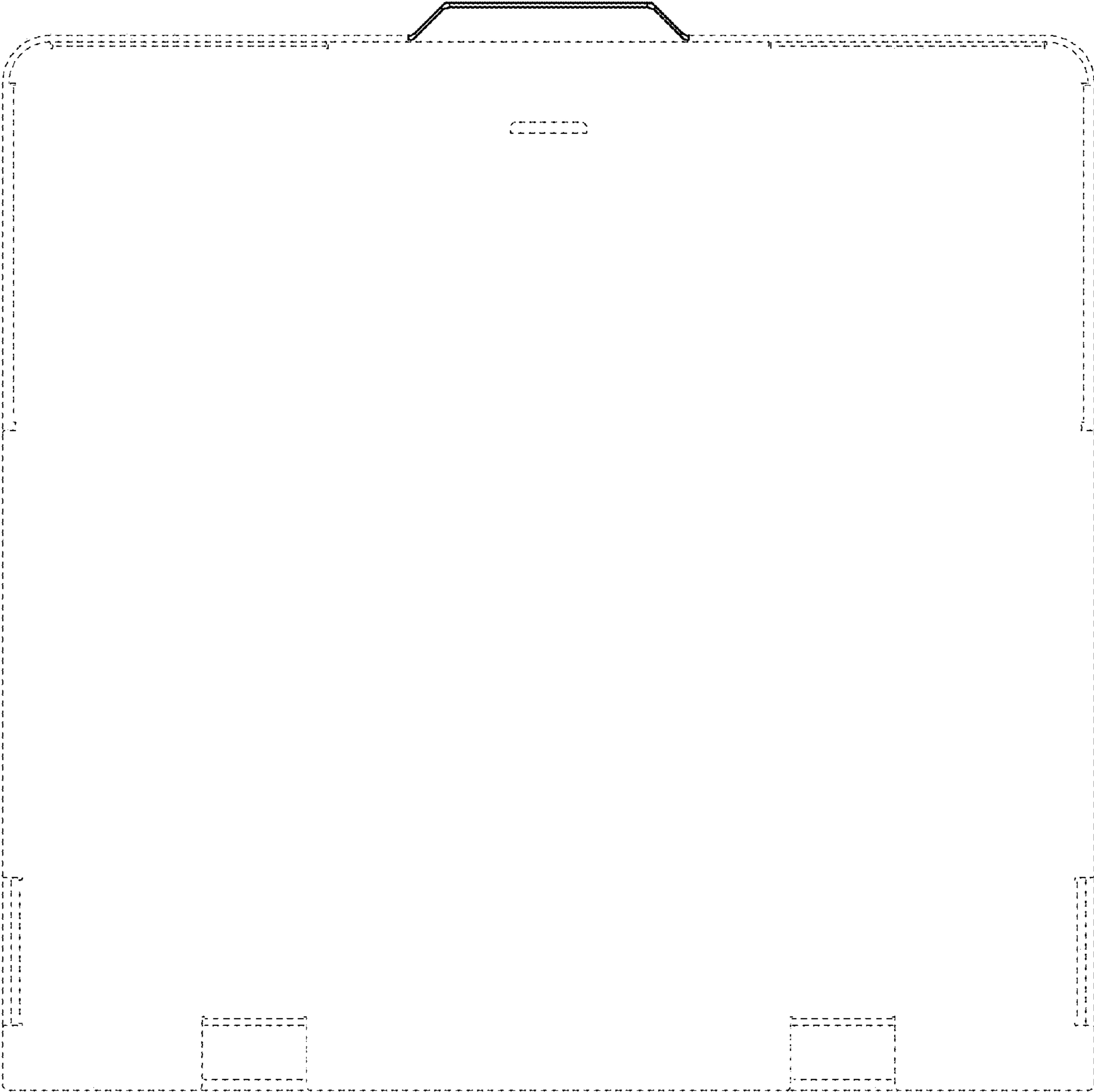


FIG. 3

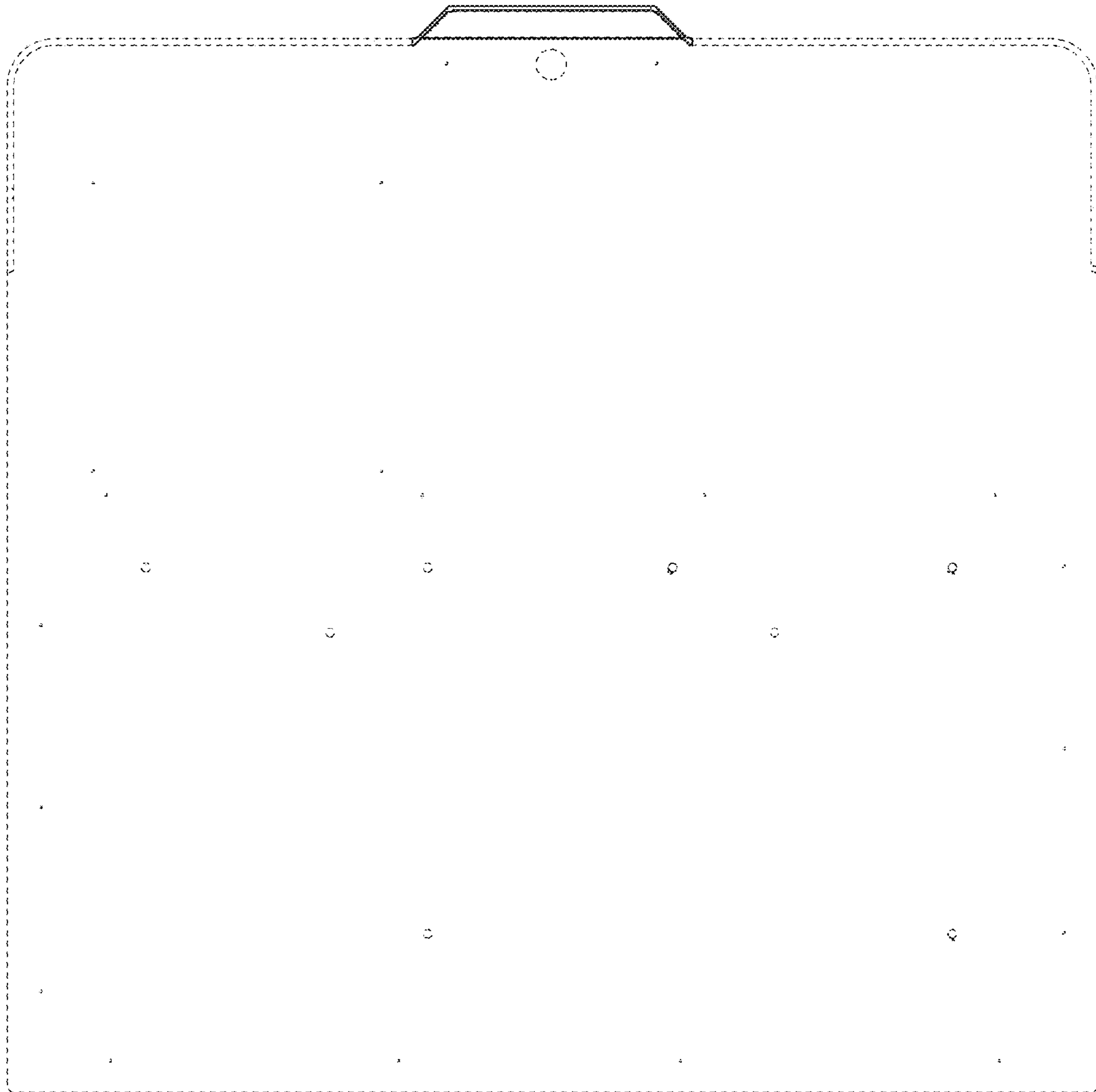


FIG. 4

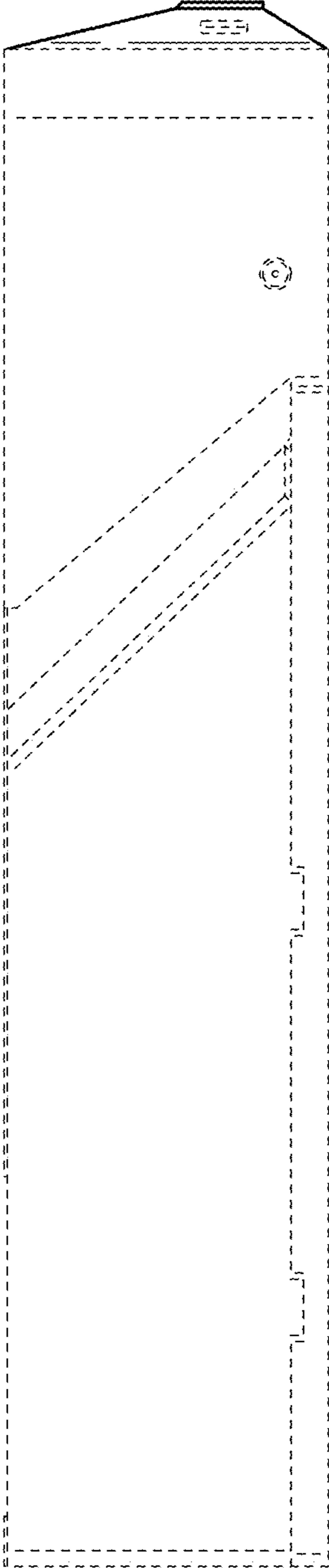


FIG. 5

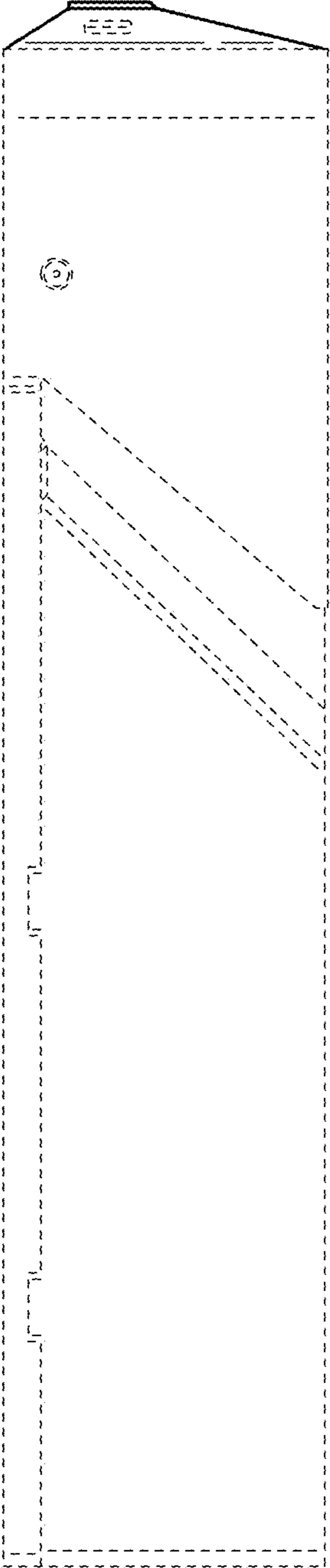


FIG. 6

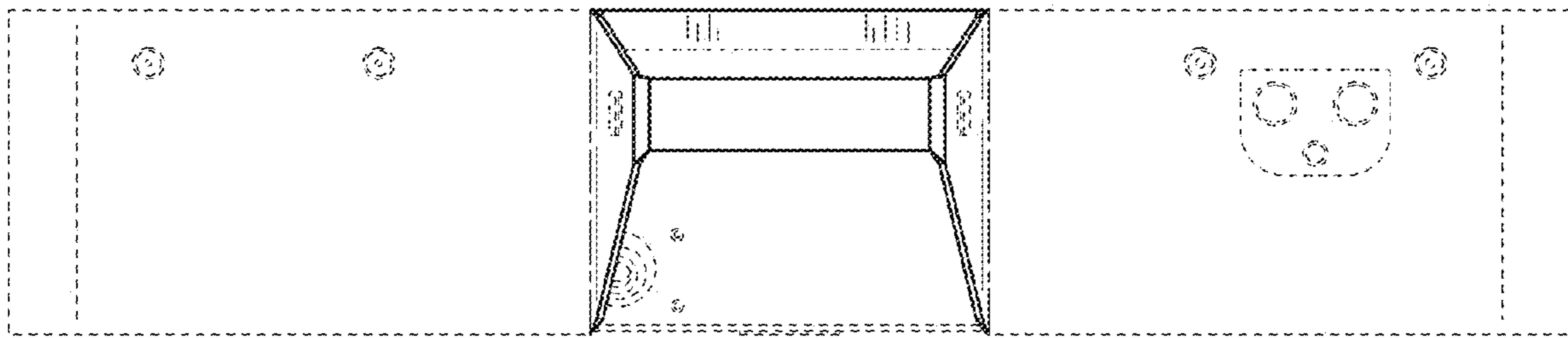


FIG. 7

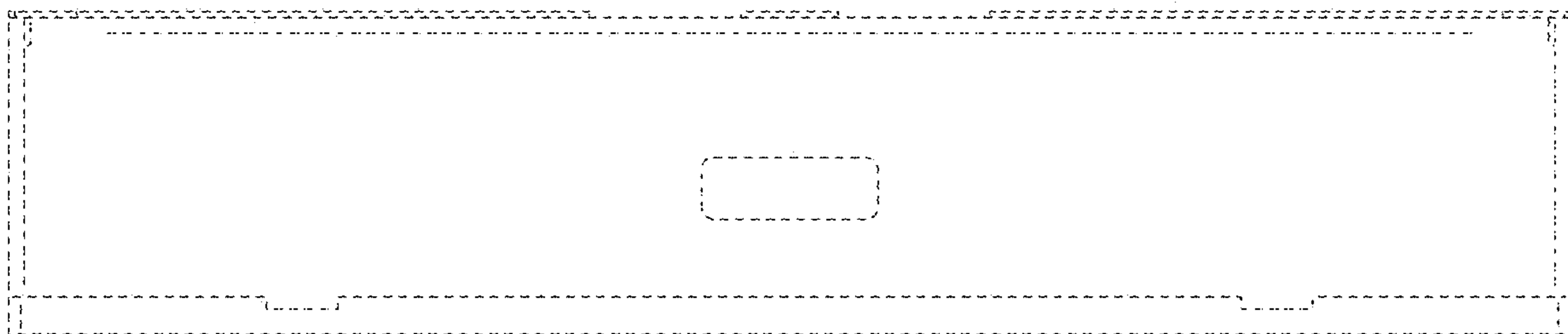


FIG. 8