



US00D904974S

(12) **United States Design Patent**  
**Sun et al.**

(10) **Patent No.:** **US D904,974 S**

(45) **Date of Patent:** **\*\* Dec. 15, 2020**

(54) **SOLAR PANEL**

(71) Applicant: **Shenzhen Hello Tech Energy Co., Ltd.**, Shenzhen (CN)

(72) Inventors: **Zhong-Wei Sun**, Shenzhen (CN); **Wei Bai**, Shenzhen (CN)

(73) Assignee: **Shenzhen Hello Tech Energy Co., Ltd.**, Shenzhen (CN)

(\*\*) Term: **15 Years**

(21) Appl. No.: **29/700,456**

(22) Filed: **Aug. 2, 2019**

(30) **Foreign Application Priority Data**

May 10, 2019 (CN) ..... 2019 3 0227235

(51) **LOC (12) Cl.** ..... **13-02**

(52) **U.S. Cl.**  
USPC ..... **D13/102**

(58) **Field of Classification Search**  
USPC ..... D13/102, 101, 103, 110, 107, 108, 199  
CPC ..... H01L 31/00; H01L 31/042; H01L 31/045;  
H01L 31/048; H01L 31/052; H01L 31/0475; H01L 31/0485; H01M 10/052;  
H01M 10/465; H02S 30/10; H02S 30/20;  
Y02E 10/50; Y02E 10/52; Y10S 136/291;  
Y10S 136/293; H02J 7/35

See application file for complete search history.

(56) **References Cited**

**U.S. PATENT DOCUMENTS**

5,814,906 A \* 9/1998 Spencer ..... G06F 1/26  
307/150  
D505,113 S \* 5/2005 Lam ..... D13/107

D671,885 S \* 12/2012 Steinau ..... D13/102  
D697,864 S \* 1/2014 McGrath ..... D13/102  
D729,156 S \* 5/2015 Nook ..... D13/102  
D807,285 S \* 1/2018 Krantz ..... D13/102  
10,024,579 B1 \* 7/2018 Govar ..... F24S 20/50  
D830,296 S \* 10/2018 Liu ..... D13/102

**OTHER PUBLICATIONS**

[https://www.amazon.com/Jackery-SolarSaga-Explorer-Portable-Generator/dp/B07PGS2WN8/ref=psdc\\_2236628011\\_t1\\_B07Q71LX84](https://www.amazon.com/Jackery-SolarSaga-Explorer-Portable-Generator/dp/B07PGS2WN8/ref=psdc_2236628011_t1_B07Q71LX84) Mar. 6, 2019 (Year: 2019).\*

\* cited by examiner

*Primary Examiner* — Derrick E Holland

(74) *Attorney, Agent, or Firm* — ScienBiziP, P.C.

(57) **CLAIM**

The ornamental design for a solar panel, as shown and described.

**DESCRIPTION**

FIG. 1 is a first perspective view of a solar panel, showing our design.

FIG. 2 is a second perspective view thereof.

FIG. 3 is a front elevation view thereof.

FIG. 4 is a rear elevation view thereof.

FIG. 5 is a left side elevation view thereof.

FIG. 6 is a right side elevation view thereof.

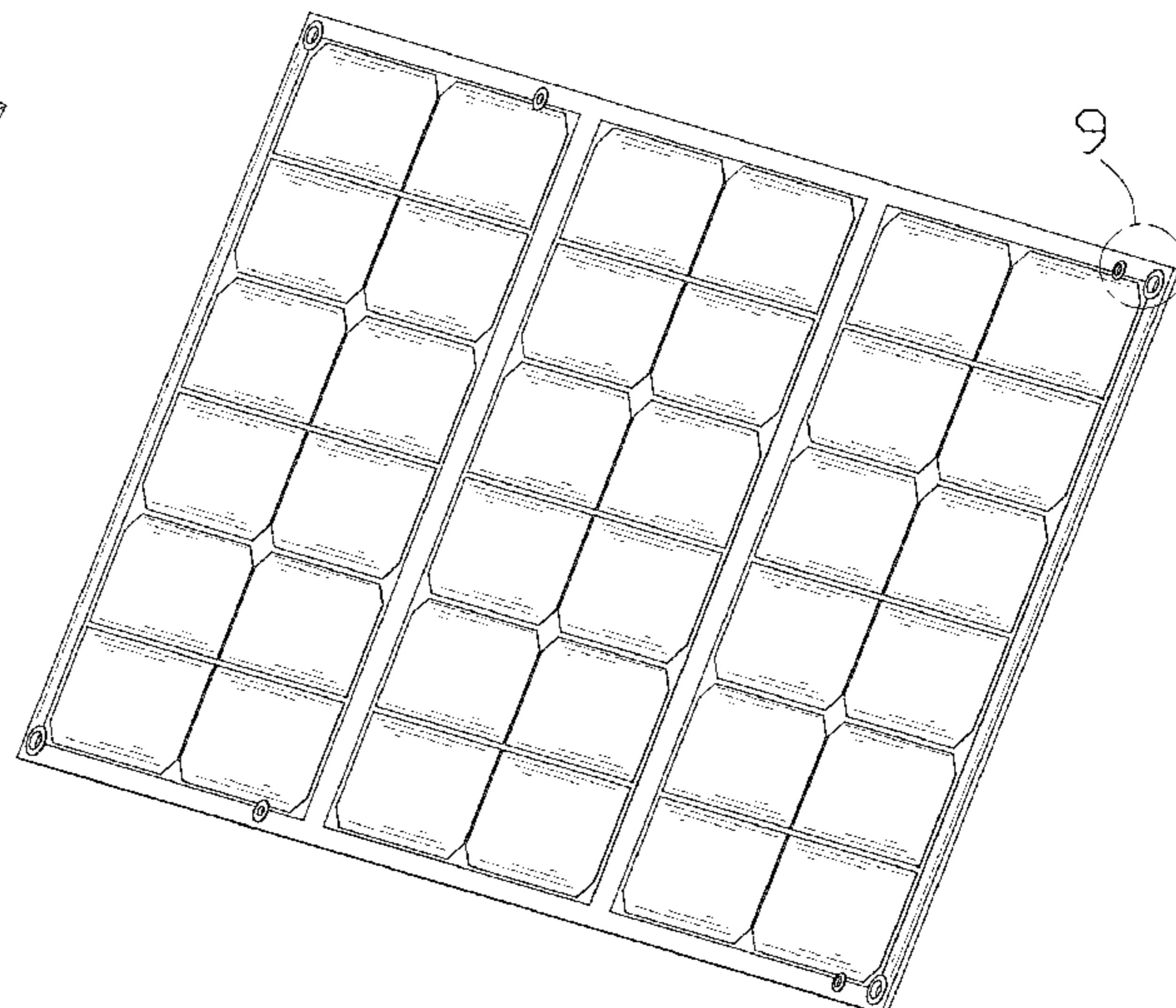
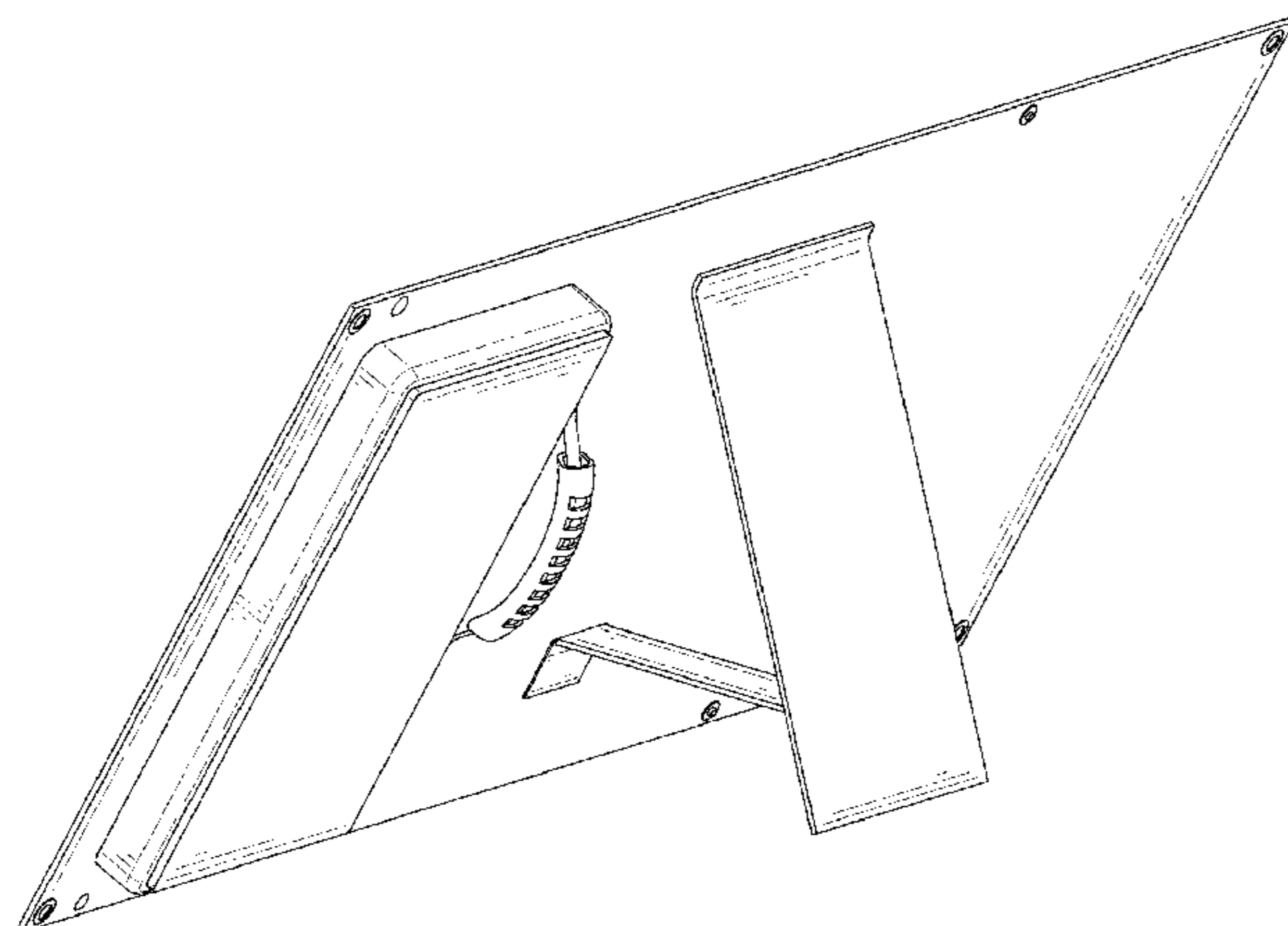
FIG. 7 is a top plan view thereof.

FIG. 8 is a bottom plan view thereof; and,

FIG. 9 is an enlarged view of an area labeled 9 in FIG. 2 of the solar panel.

The long-dash short-dash broken lines shown in FIGS. 2 and 9 represent the boundaries of the enlarged details and form no part of the claimed design.

**1 Claim, 9 Drawing Sheets**



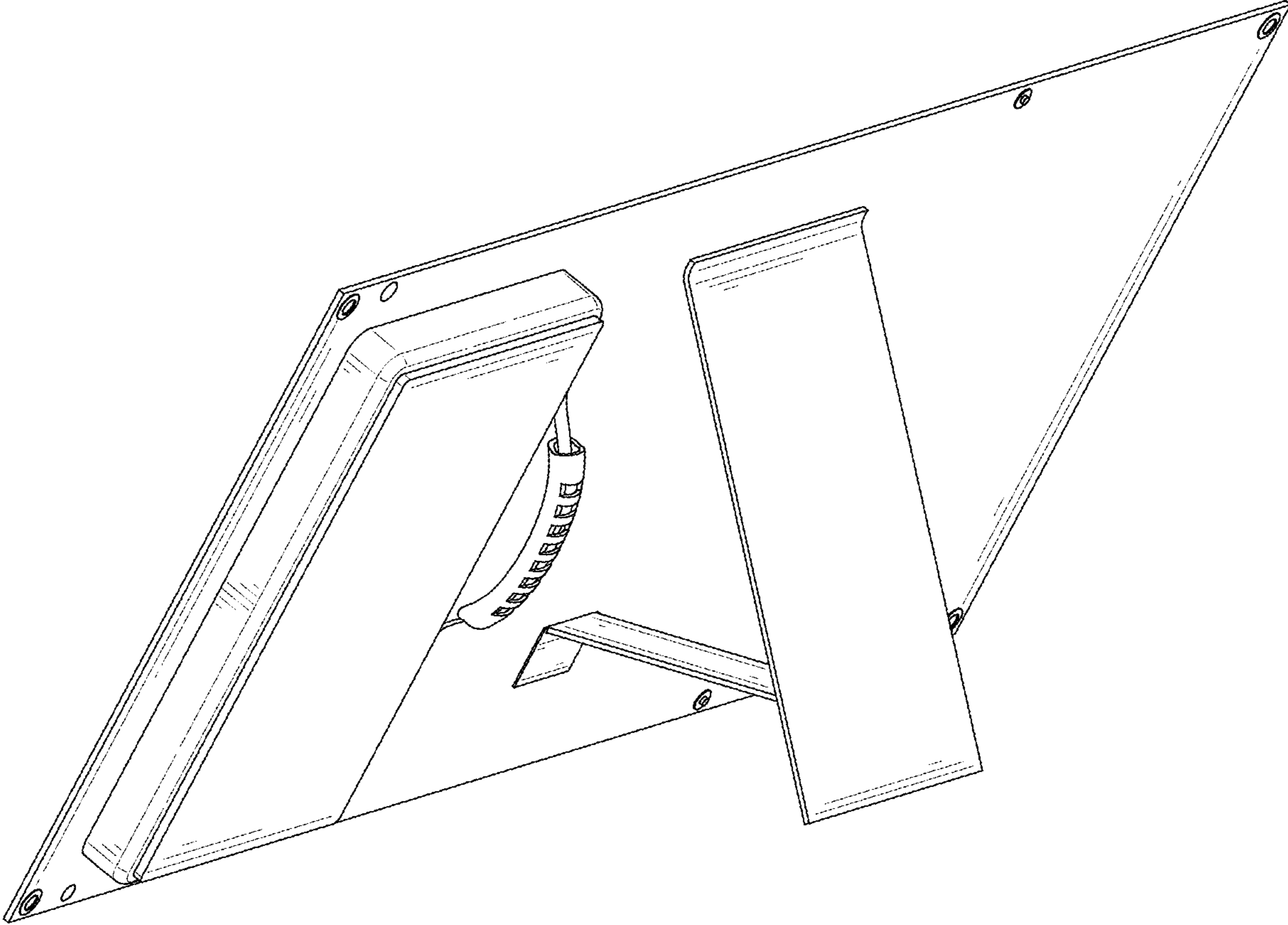


FIG. 1

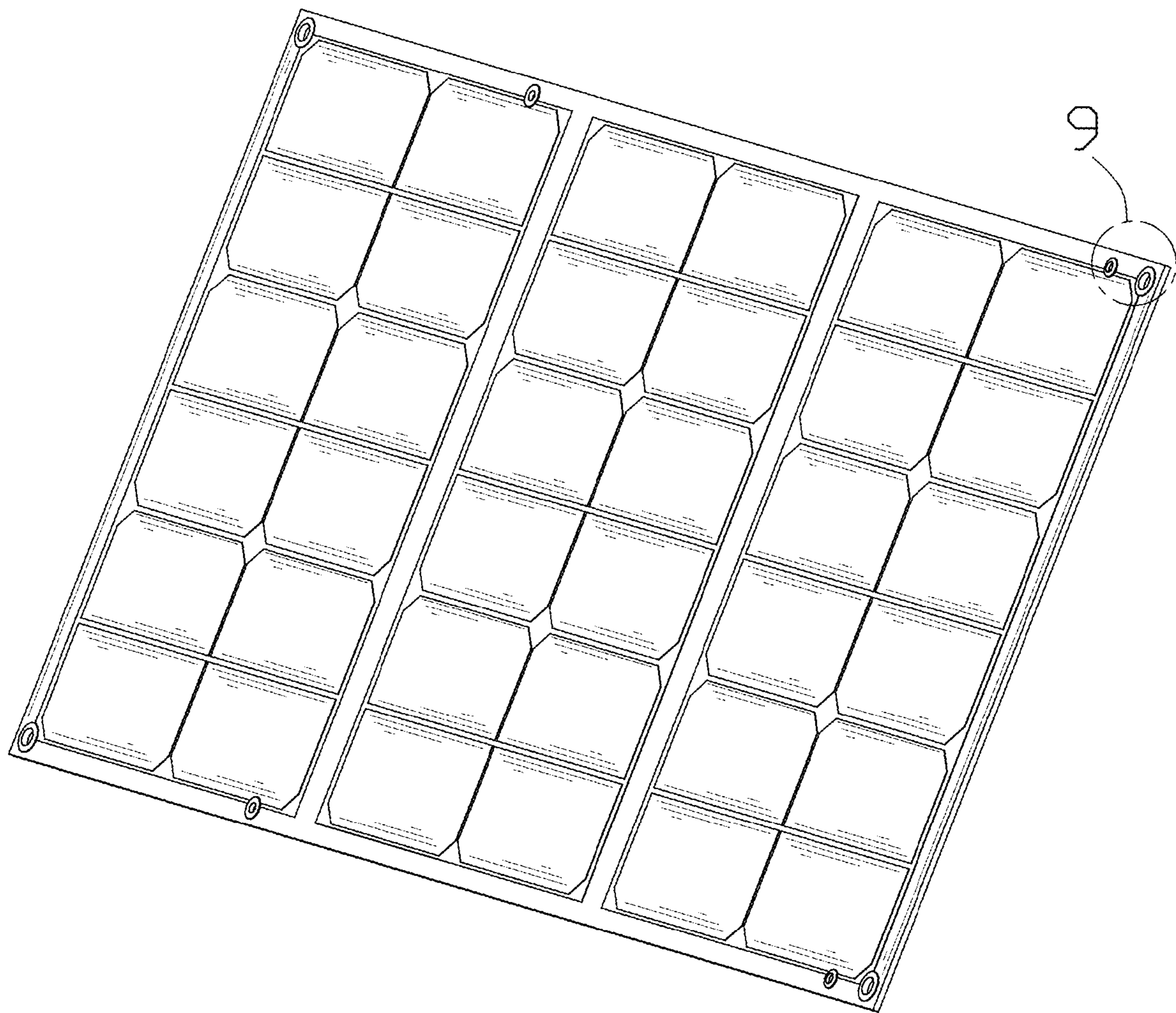


FIG. 2

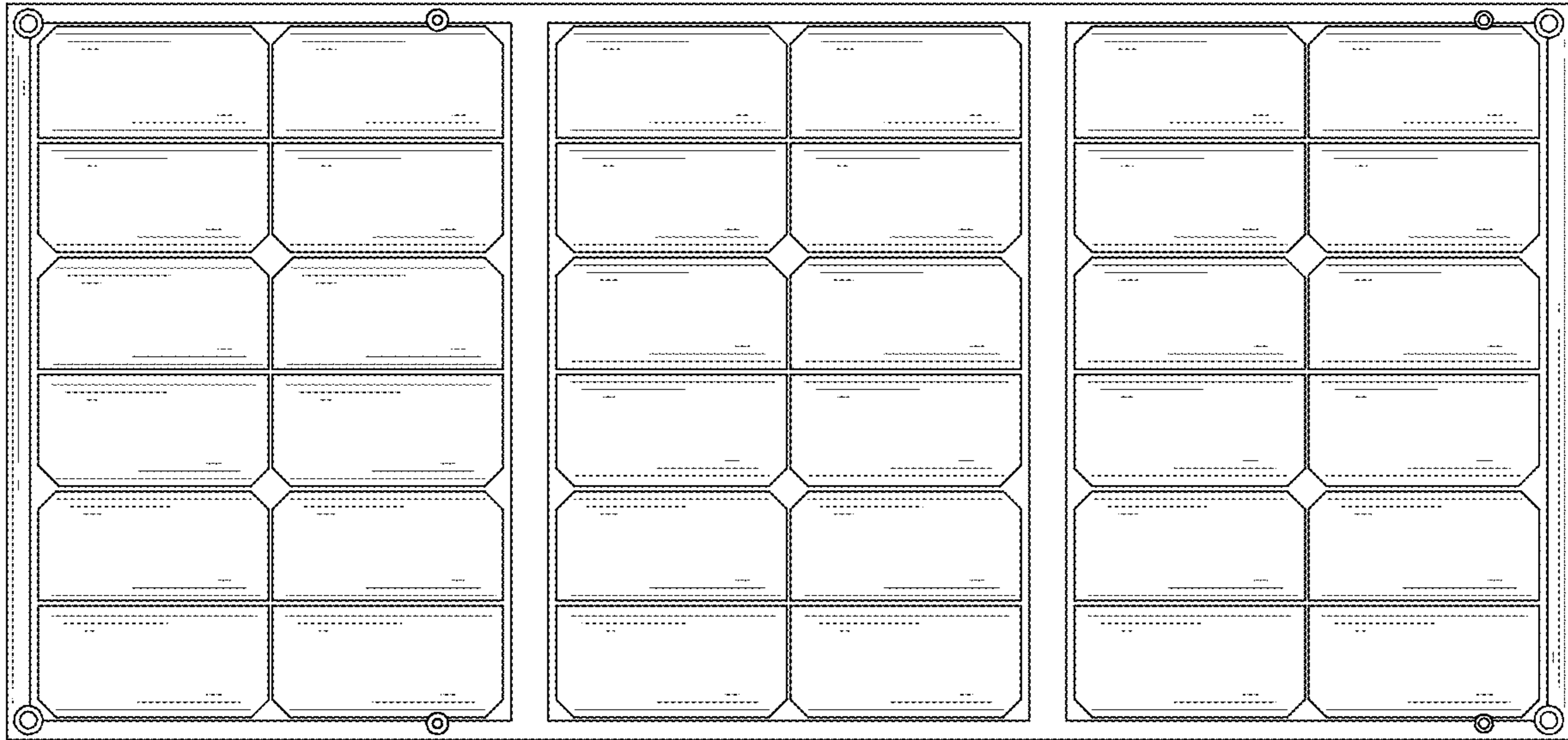


FIG. 3

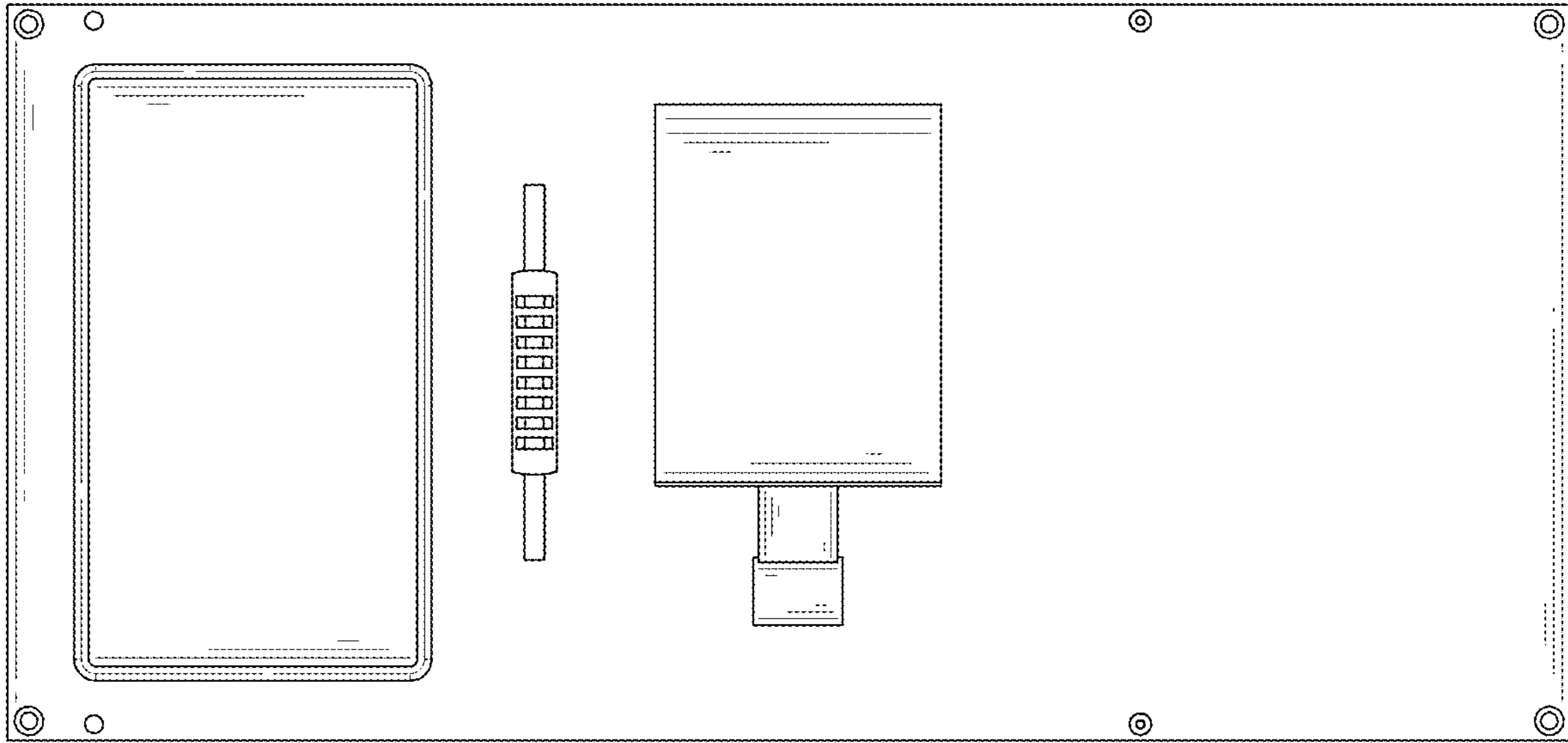


FIG. 4

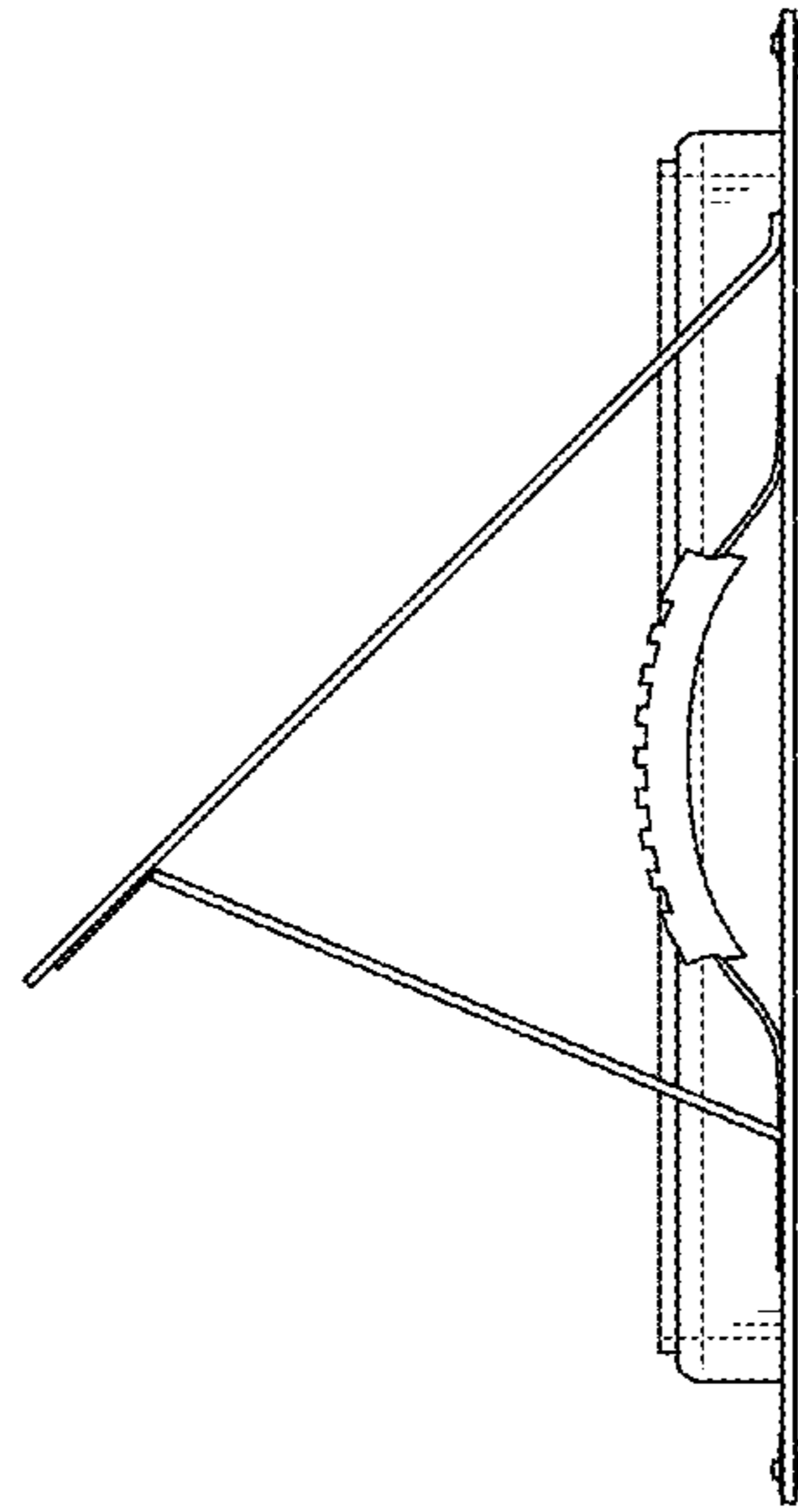


FIG. 5

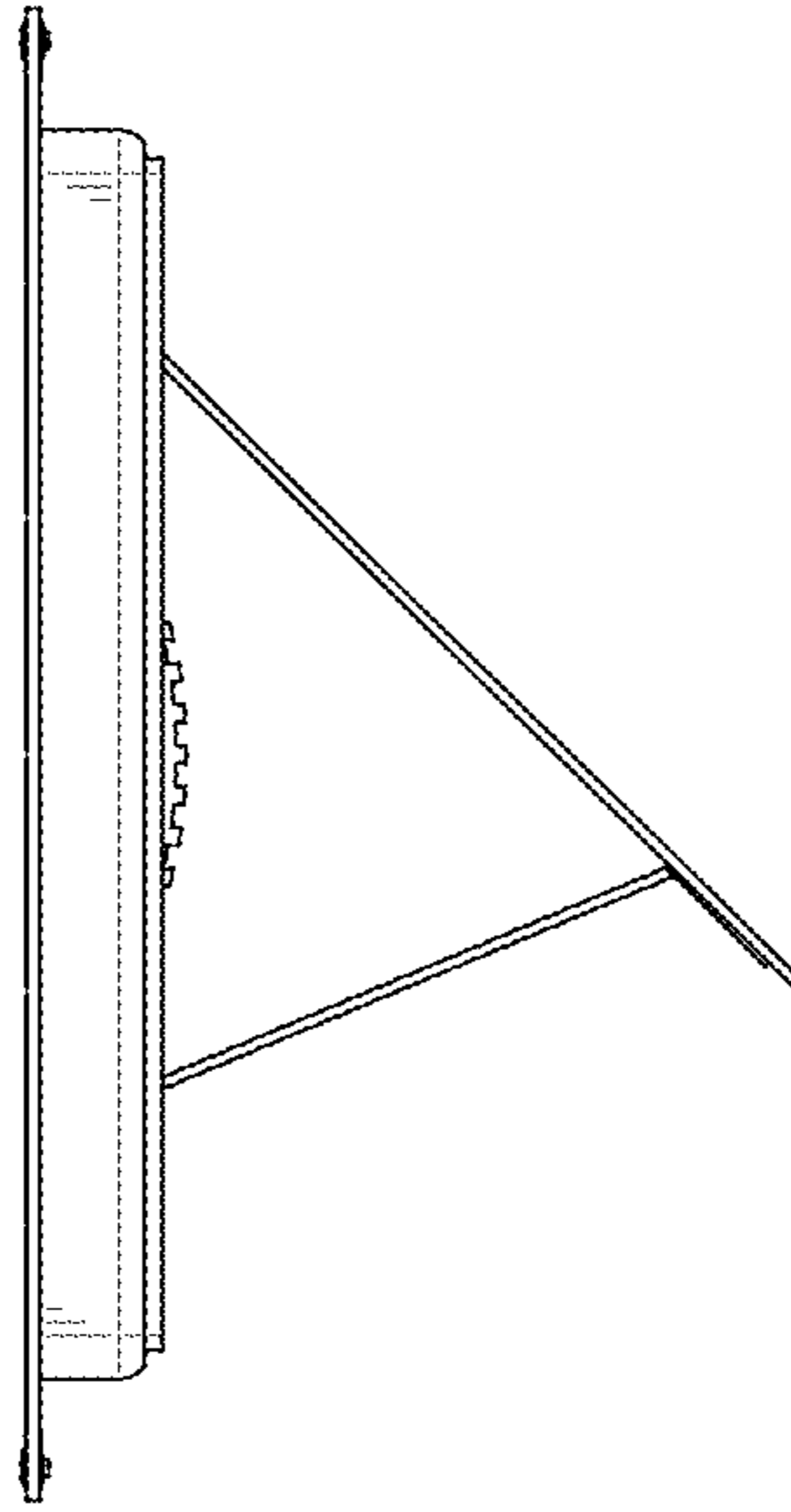


FIG. 6

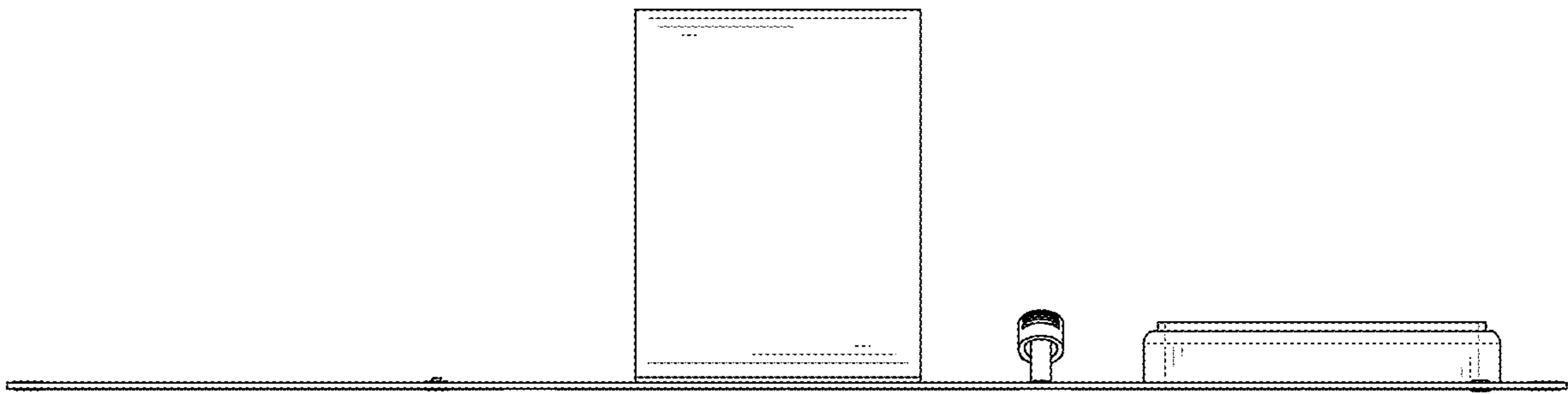


FIG. 7



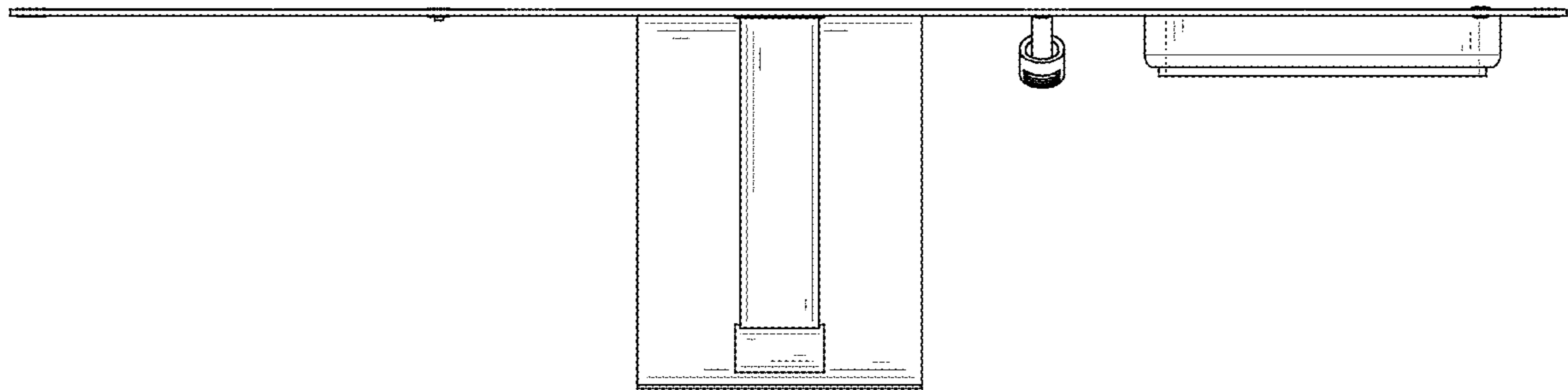


FIG. 8

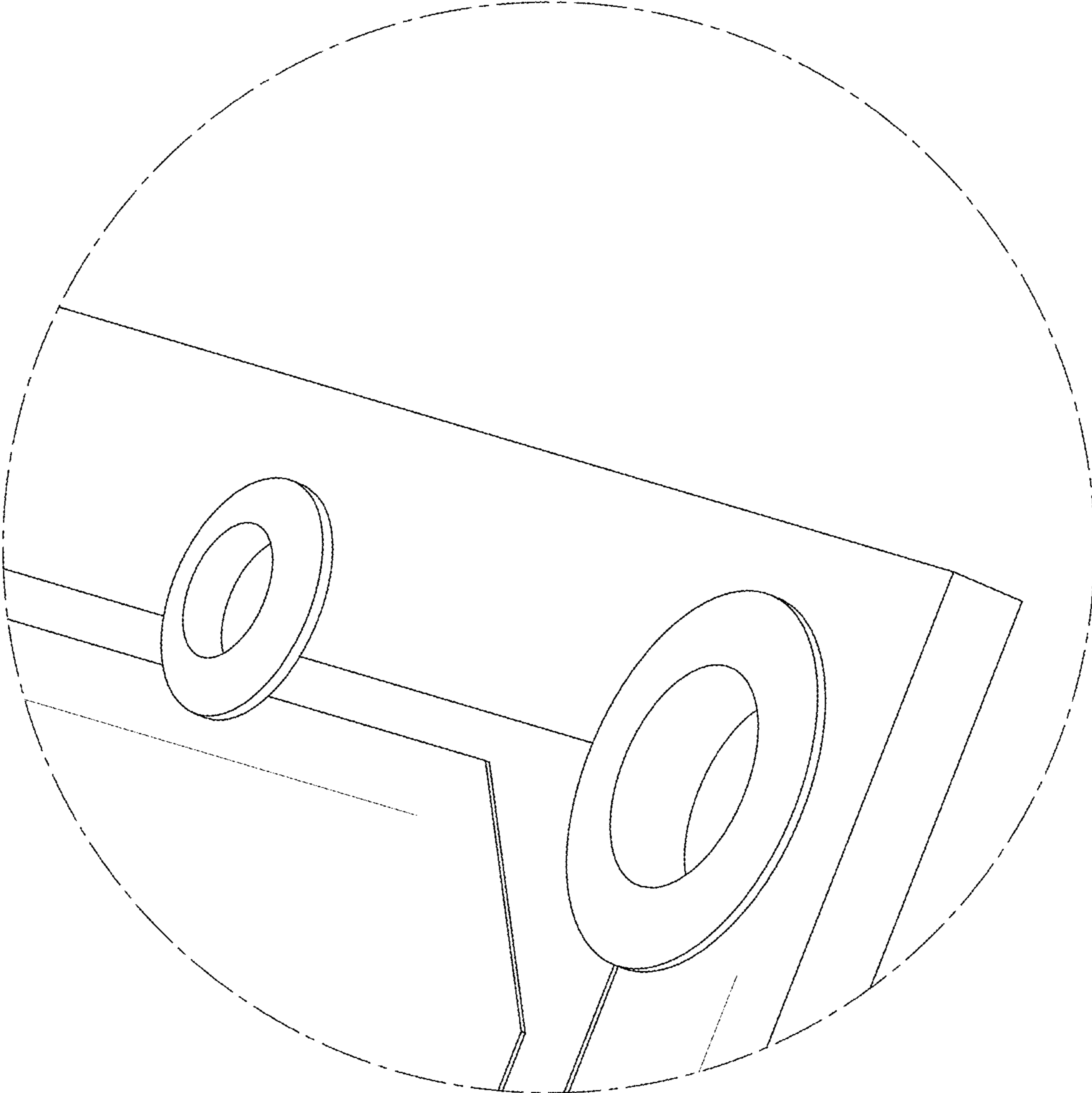


FIG. 9