



US00D904973S

(12) **United States Design Patent**
Anderson et al.

(10) **Patent No.:** **US D904,973 S**

(45) **Date of Patent:** **** Dec. 15, 2020**

(54) **TIRE**

(71) Applicant: **ARTIC INVESTMENTS S.A.**,
Luxembourg (LU)

(72) Inventors: **David Anderson**, Ghent (BE); **Lenn Tilley**, Sint-Amans (BE); **Thomas Helin**, Nieuwerkerken (BE); **Tim De Witte**, Oostrozebeke (BE)

(73) Assignee: **ARTIC INVESTMENTS S.A.**,
Luxembourg (LU)

(**) Term: **15 Years**

(21) Appl. No.: **29/693,764**

(22) Filed: **Jun. 5, 2019**

(30) **Foreign Application Priority Data**

Apr. 24, 2019 (EM) 006392247-0001

(51) **LOC (12) Cl.** **12-15**

(52) **U.S. Cl.**
USPC **D12/599**

(58) **Field of Classification Search**
USPC D12/500, 502, 568, 569, 599, 604
CPC B60C 11/03; B60C 11/032; B60C
2011/0346
See application file for complete search history.

(56) **References Cited**

U.S. PATENT DOCUMENTS

D63,056 S * 9/1923 Martin D12/569
D63,227 S * 11/1923 Hower D12/569
D63,300 S * 11/1923 Hubach D12/569
D64,175 S * 3/1924 Graybill D12/569
D68,150 S * 9/1925 Love D12/570

D72,613 S * 5/1927 Greer D12/569
D77,104 S * 12/1928 Kovacs D12/569
D107,327 S * 12/1937 Thacher D12/569
2,339,540 A * 1/1944 Roberts B60C 11/0311
152/209.22
D153,431 S * 4/1949 Hawkinson D12/599
D613,241 S * 4/2010 Song D12/592
D613,677 S * 4/2010 Neubauer D12/579
D619,532 S * 7/2010 Bao D12/599
D631,821 S * 2/2011 Kline D12/570
D633,435 S * 3/2011 Shan D12/599
D642,973 S * 8/2011 Parr D12/599
D652,371 S * 1/2012 Parr D12/599
D795,175 S * 8/2017 Hughes D12/599
D815,019 S * 4/2018 Wang D12/579
D864,104 S * 10/2019 Kristen D12/599
D868,176 S * 11/2019 Sprowl B60C 11/0311
D21/563

* cited by examiner

Primary Examiner — Robert M. Spear

(74) *Attorney, Agent, or Firm* — Fresh IP PLC; Clifford
D. Hyra; Aubrey Y. Chen

(57) **CLAIM**

The ornamental design for a tire, as shown and described.

DESCRIPTION

FIG. 1 is a perspective view of a tire according to our new design.

FIG. 2 is a front elevation view thereof.

FIG. 3 is a rear elevation view thereof.

FIG. 4 is a top plan view thereof.

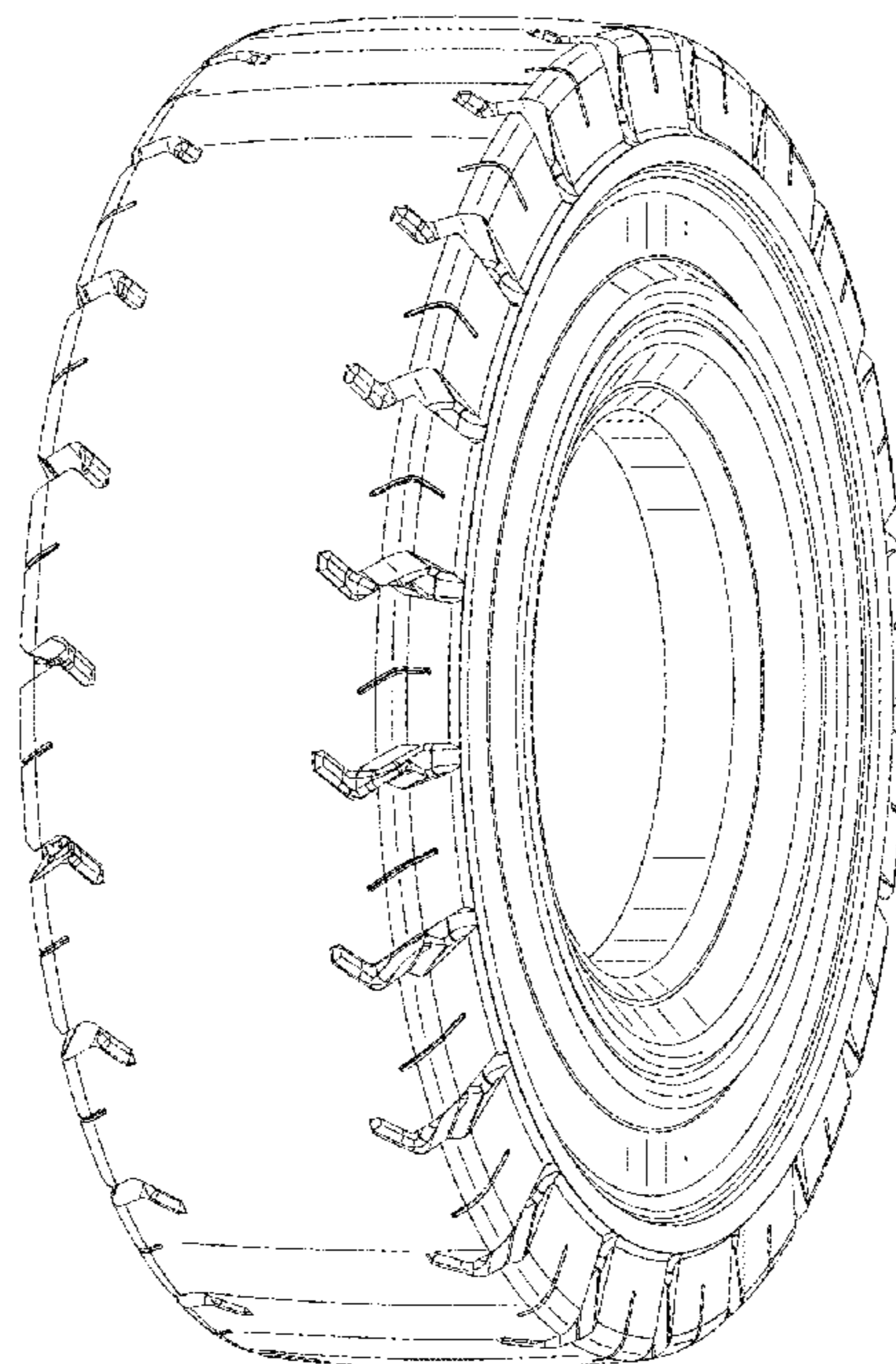
FIG. 5 is a bottom plan view thereof.

FIG. 6 is a right side elevation view thereof.

FIG. 7 is a left side elevation view thereof; and,

FIG. 8 is an enlarged plan view of a tread surface thereof.

1 Claim, 6 Drawing Sheets



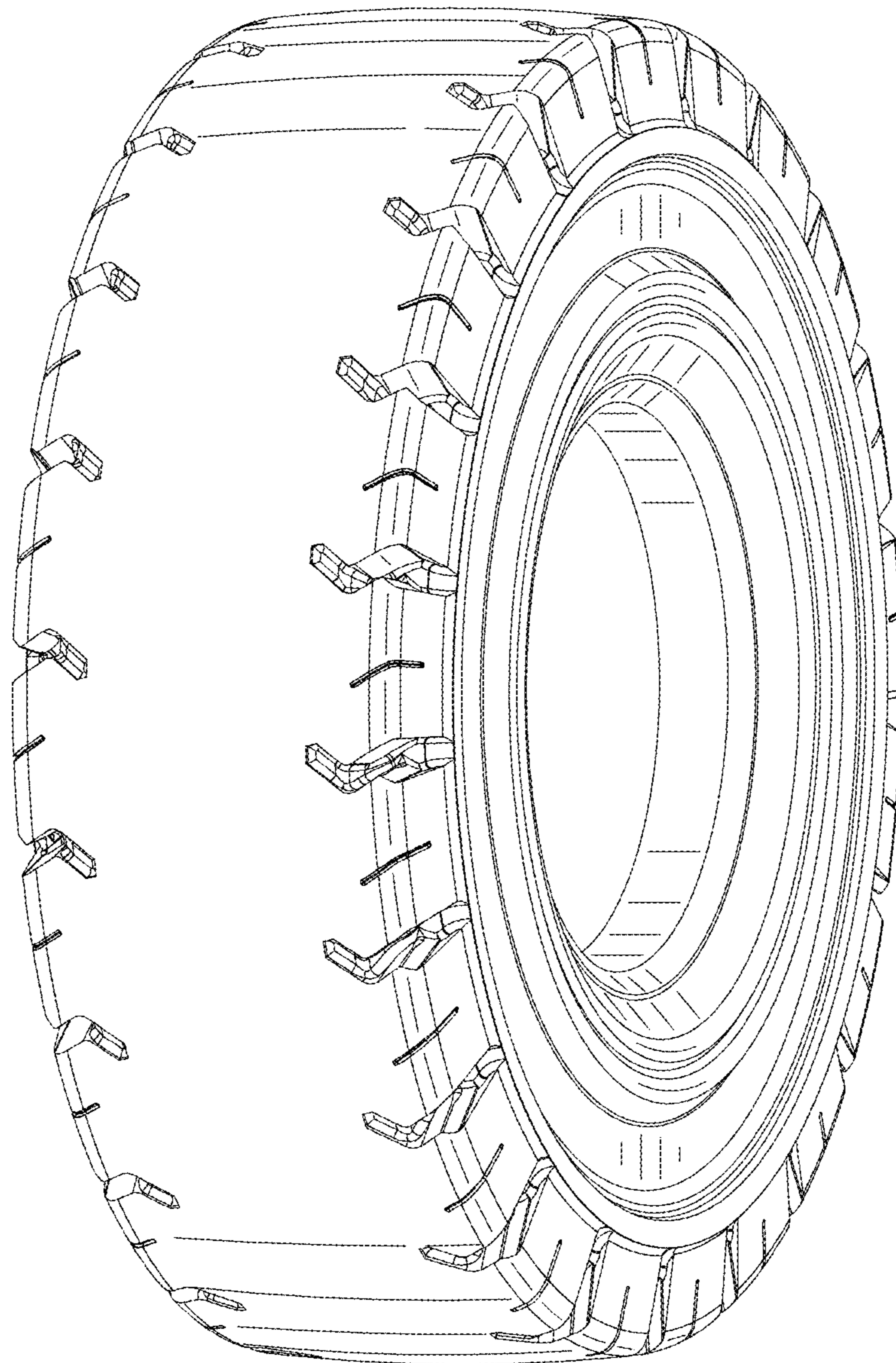


FIG. 1

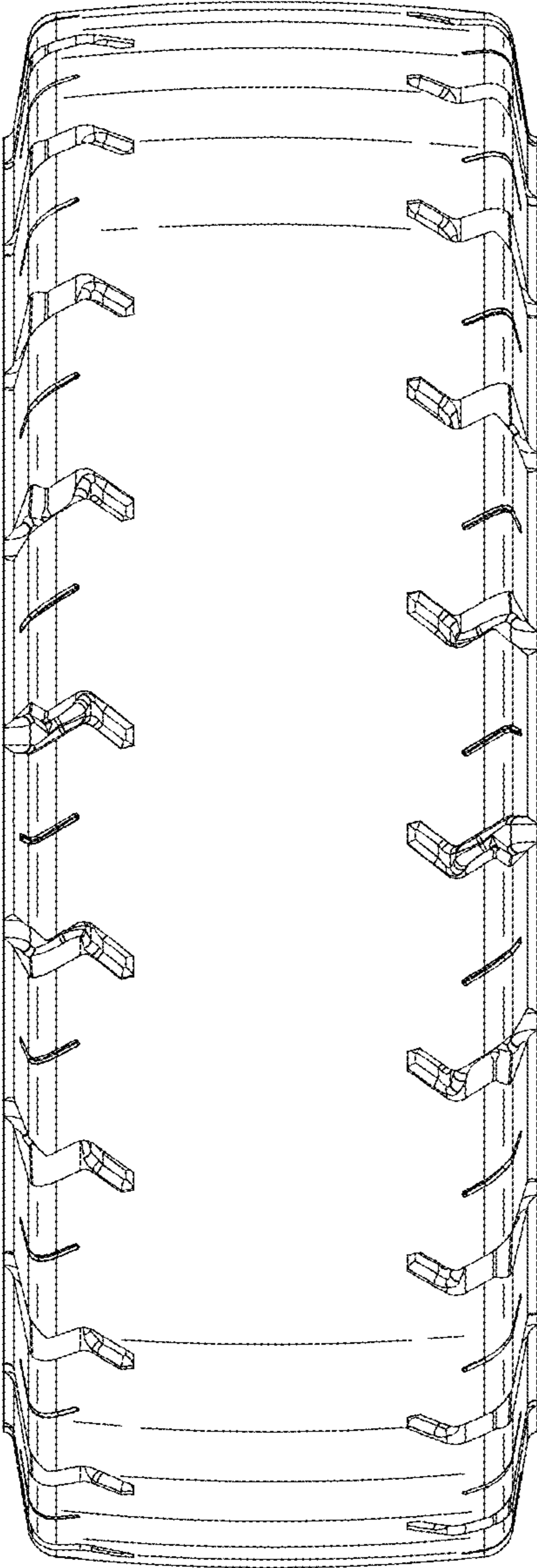


FIG. 2

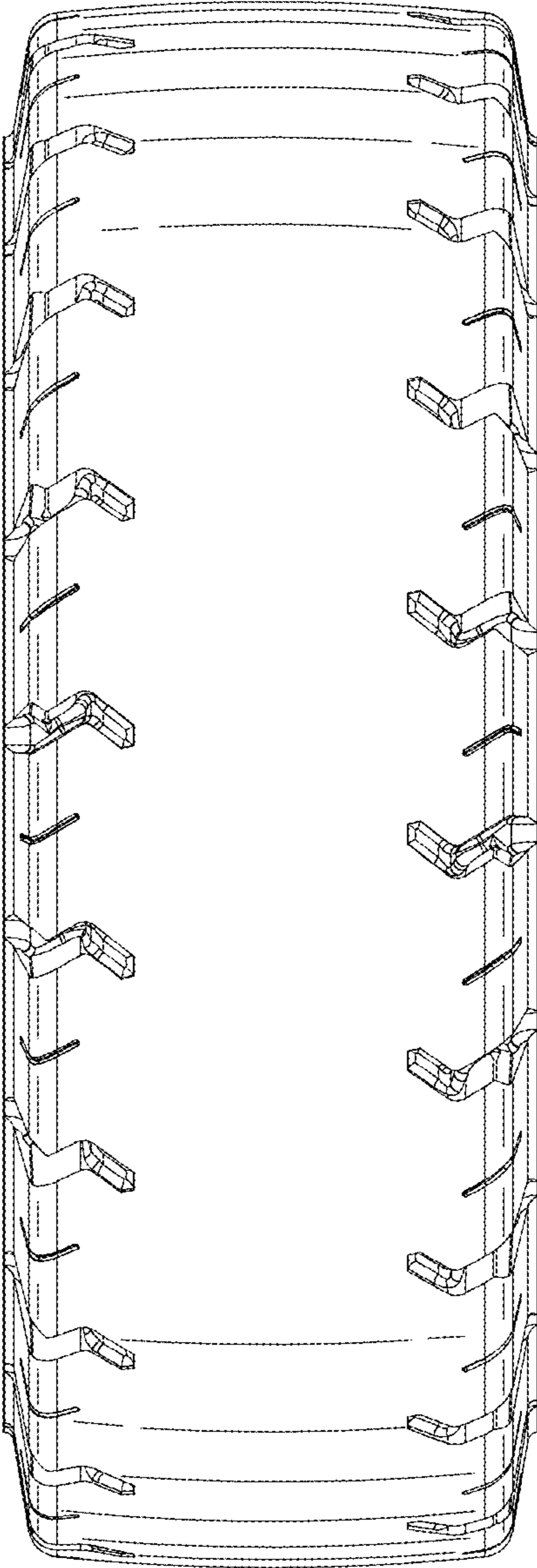


FIG. 3

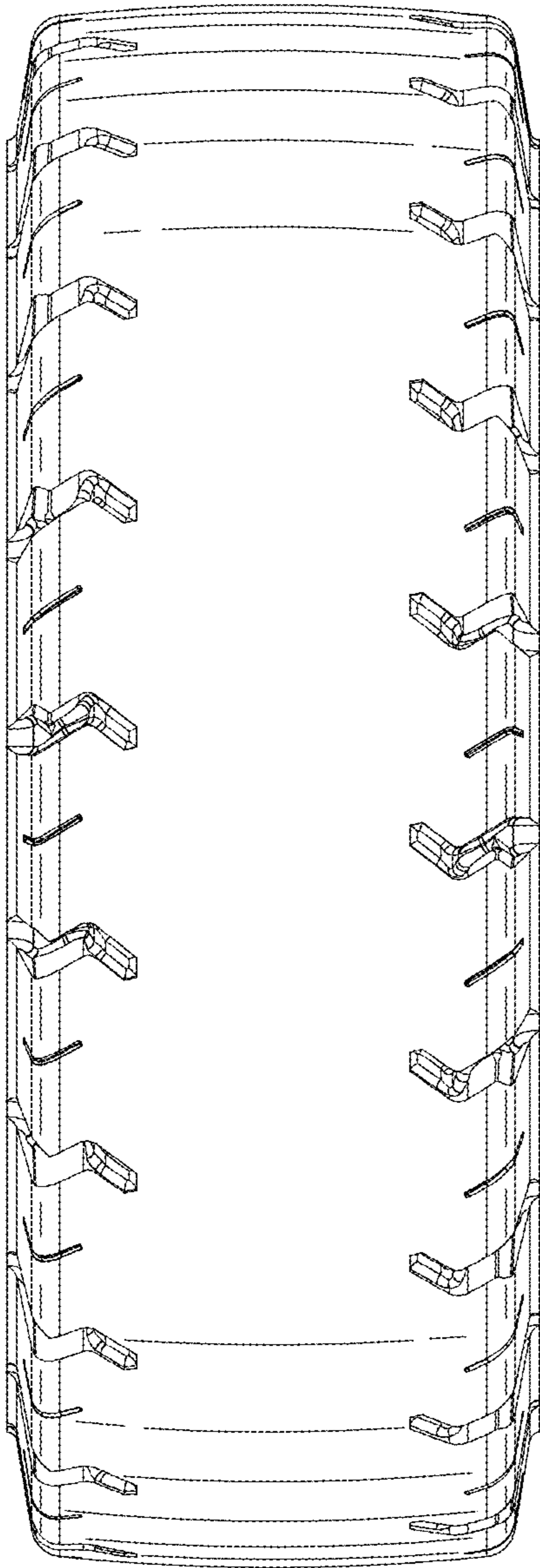


FIG. 4

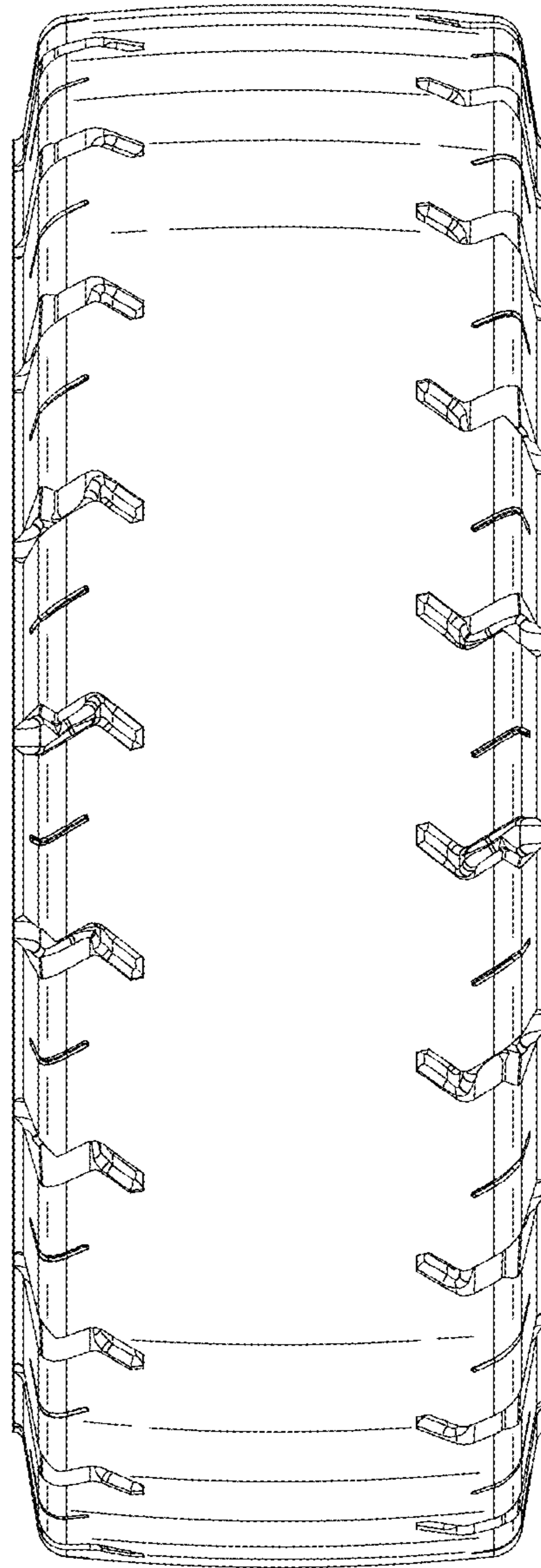


FIG. 5

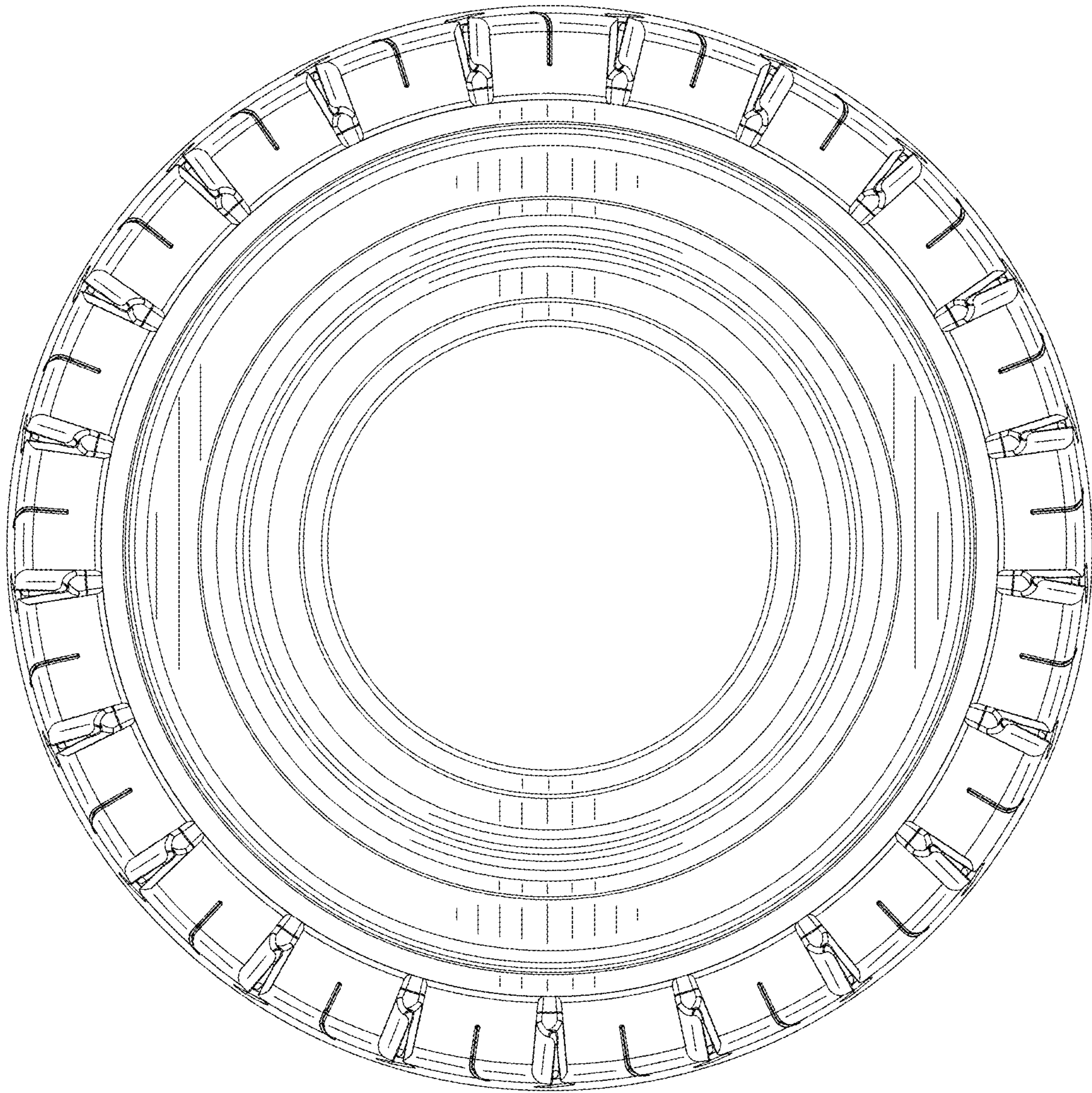


FIG. 6

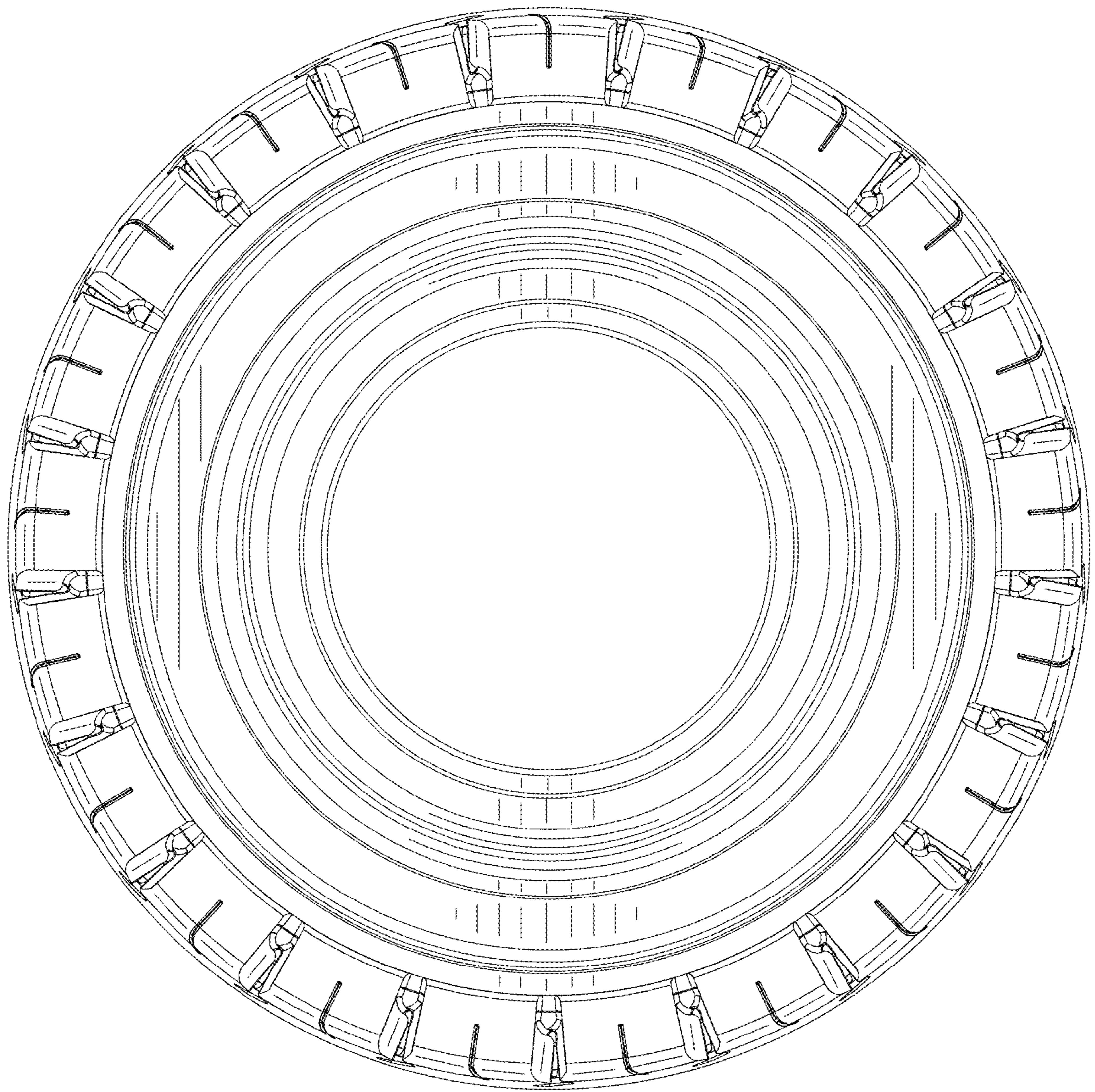


FIG. 7

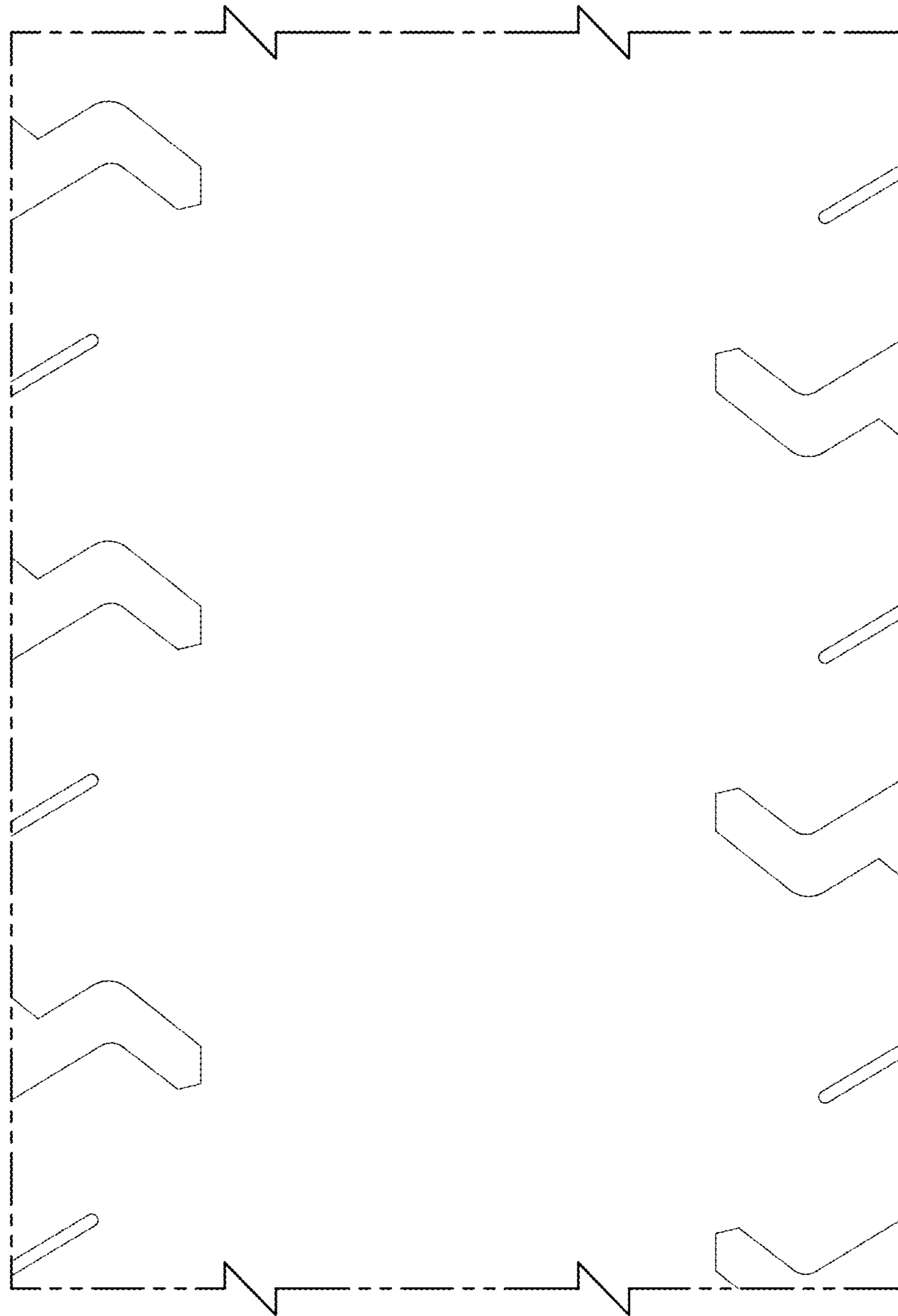


FIG. 8