

US00D904967S

(12) **United States Design Patent** (10) **Patent No.:** **US D904,967 S**
Kaiser et al. (45) **Date of Patent:** **** Dec. 15, 2020**

(54) **AIRCRAFT**
(71) Applicant: **Kaiser Enterprises, LLC**, Washington, DC (US)
(72) Inventors: **James Kaiser**, Washington, DC (US); **William Vatis**, Arlington, VA (US)
(73) Assignee: **Kaiser Enterprises, LLC**, Washington, DC (US)

8,302,901 B2 11/2012 Hatton et al.
8,979,016 B2 3/2015 Hayden, III
D760,624 S * 7/2016 Balaesque D12/16.1
9,527,588 B1 * 12/2016 Rollefstad B64C 39/024
9,555,879 B1 * 1/2017 Kaiser B64D 35/06
D780,665 S * 3/2017 Blincow D12/320
D785,717 S * 5/2017 Xiao D21/441
D798,221 S * 9/2017 Kaiser D12/325
D803,327 S * 11/2017 Gaus D21/436
9,840,323 B1 * 12/2017 Kaiser B64C 25/06
D806,607 S * 1/2018 Zhydanov D12/16.1

(Continued)

(**) Term: **15 Years**

(21) Appl. No.: **29/661,662**

(22) Filed: **Aug. 29, 2018**

(51) **LOC (12) Cl.** **12-01**

(52) **U.S. Cl.**
USPC **D12/319**

(58) **Field of Classification Search**
USPC D12/319-345, 16.1, 1-4, 415;
D21/436-455; D14/218
CPC B64C 2201/146; B64C 2201/027; B64C
2201/104; B64C 25/06; B64C 25/24;
B64C 39/04; B64C 5/02
See application file for complete search history.

(56) **References Cited**

U.S. PATENT DOCUMENTS

D139,424 S * 11/1944 Bates D12/327
D215,971 S * 11/1969 Rosta D12/325
D217,000 S * 3/1970 Getz D21/442
D307,884 S * 5/1990 Ninkovich 244/26
D312,067 S * 11/1990 Walling D12/320
5,203,521 A * 4/1993 Day B64C 39/064
244/12.2
5,984,753 A * 11/1999 Perez A63H 33/18
446/46
D418,475 S * 1/2000 Milde, Jr. D12/320
D430,530 S * 9/2000 Milde, Jr. D12/320
D667,893 S * 9/2012 Smith D21/451
D669,836 S * 10/2012 Ordonez D12/213

OTHER PUBLICATIONS

International Search Report & Written Opinion for PCT/US2016/048492, dated Sep. 27, 2019, 10 pages.

Primary Examiner — Marissa J Cash

(74) *Attorney, Agent, or Firm* — Blank Rome LLP

(57) **CLAIM**

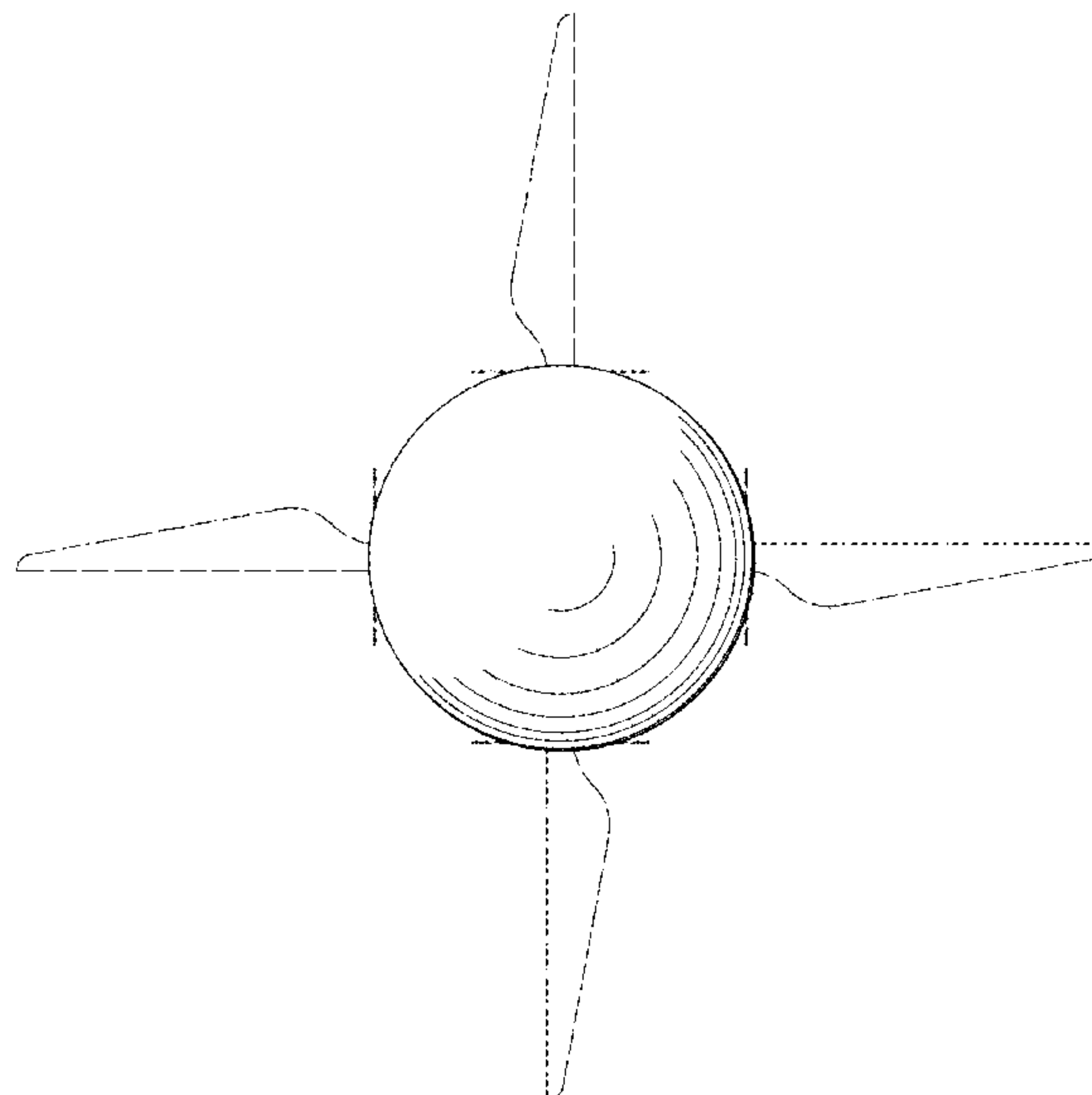
The ornamental design for an aircraft, as shown and described.

DESCRIPTION

FIG. 1 is a top view of an aircraft showing our new design; FIG. 2 is a bottom view thereof; FIG. 3 is a side view thereof; FIG. 4 is a side view thereof; FIG. 5 is an enlarged view of FIG. 3, with environment removed for clarity of disclosure; FIG. 6 is an enlarged view of FIG. 4, with environment removed for clarity of disclosure; and, FIG. 7 is an enlarged view of a portion of FIGS. 4-6, with environment removed for clarity of disclosure.

The broken lines illustrate environmental subject matter only and form no part of the claimed design; The broken lines surrounding the detail views labeled FIG. 7 are for annotation purposes only and form no part thereof.

1 Claim, 3 Drawing Sheets



(56)

References Cited

U.S. PATENT DOCUMENTS

9,896,196 B1 * 2/2018 Kaiser B64C 25/06
 D813,761 S * 3/2018 Balaresque D12/174
 D814,350 S * 4/2018 Joo D12/16.1
 D814,971 S * 4/2018 Huang D12/16.1
 D815,580 S * 4/2018 Kim D12/325
 D816,546 S * 5/2018 Wang D12/16.1
 D821,264 S * 6/2018 Choo D12/16.1
 D829,283 S * 9/2018 Cai D21/441
 D830,228 S * 10/2018 Grassi D12/16.1
 D830,897 S * 10/2018 Choi D12/16.1
 10,099,785 B1 * 10/2018 Gonzalez B64C 39/024
 D846,033 S * 4/2019 Oas D21/455
 D856,259 S * 8/2019 Li D12/328
 D859,536 S * 9/2019 Cope D21/443
 D860,332 S * 9/2019 Cope D21/443
 D870,017 S * 12/2019 Meng D12/328
 D886,909 S * 6/2020 Zhou D21/453

2005/0067527 A1 * 3/2005 Petersen B64C 27/10
 244/17.11
 2016/0016664 A1 * 1/2016 Basuni B64C 39/024
 244/17.13
 2016/0179096 A1 * 6/2016 Bradlow B64C 19/00
 701/8
 2016/0214713 A1 * 7/2016 Cragg B64C 39/024
 2016/0376031 A1 * 12/2016 Michalski B64C 39/024
 701/15
 2017/0029104 A1 * 2/2017 Kim B64C 39/02
 2017/0217323 A1 * 8/2017 Antonini B64C 25/52
 2017/0225792 A1 * 8/2017 Wang B64D 17/70
 2017/0274983 A1 * 9/2017 Beckman B64C 11/48
 2017/0313441 A1 * 11/2017 Tsai B64C 39/024
 2018/0022461 A1 * 1/2018 Nunes B64D 27/24
 244/26
 2018/0044005 A1 * 2/2018 Hayden, III B64C 27/20
 2018/0196418 A1 * 7/2018 Meier G05D 1/0225
 2018/0244385 A1 * 8/2018 Kim B64C 39/024
 2019/0009893 A1 * 1/2019 Toyama B64D 45/00
 2019/0193848 A1 * 6/2019 Kaiser B64C 27/14

* cited by examiner

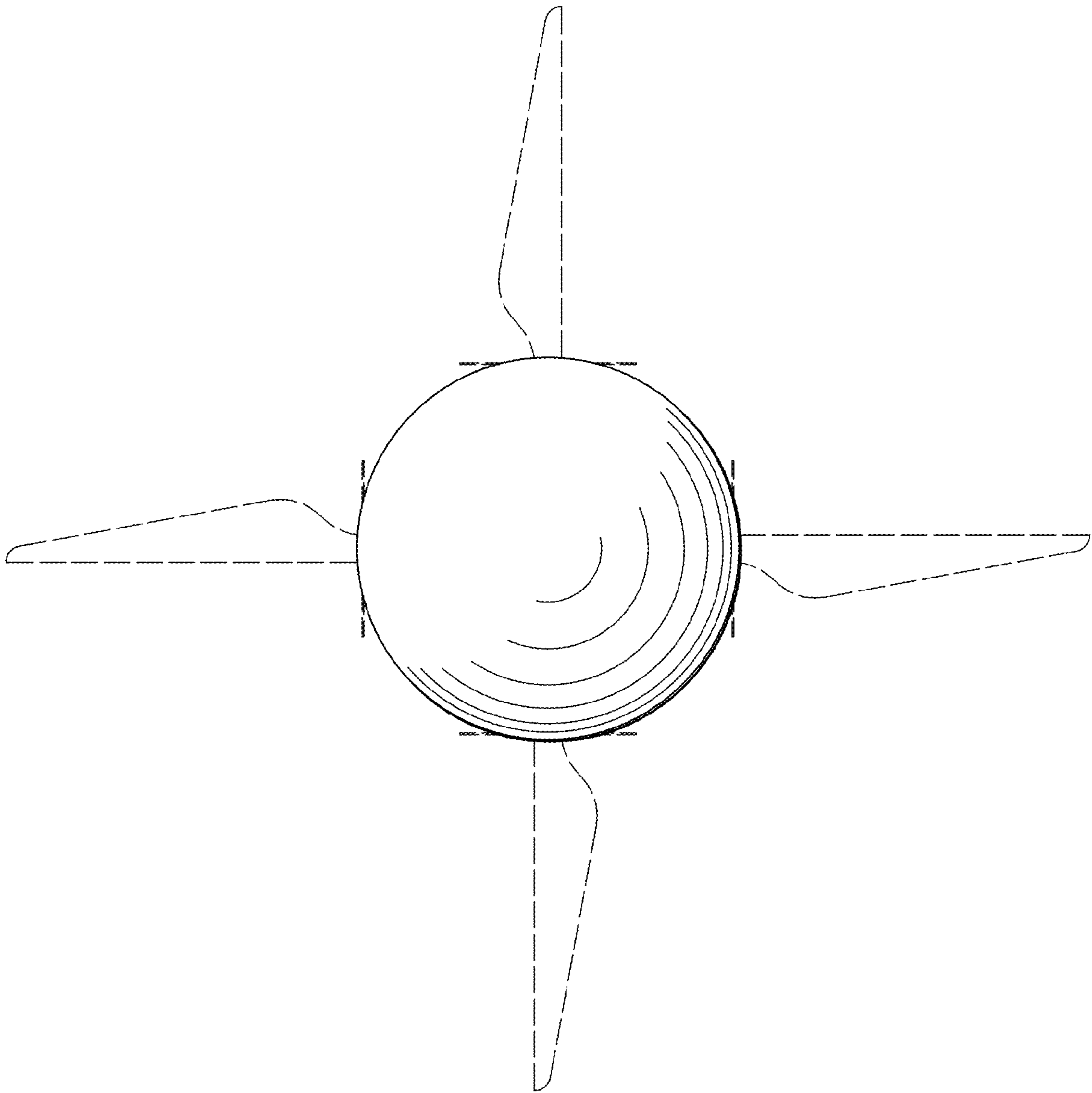


FIG. 1

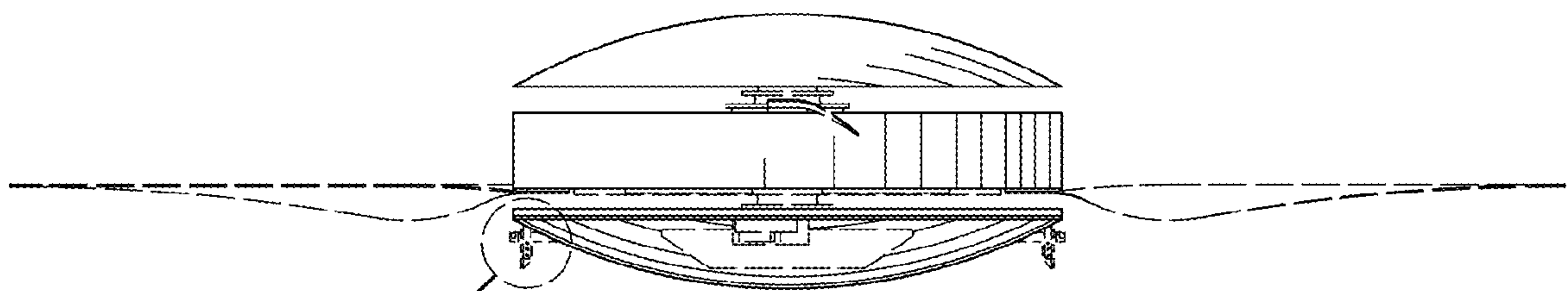


FIG. 7

FIG. 3

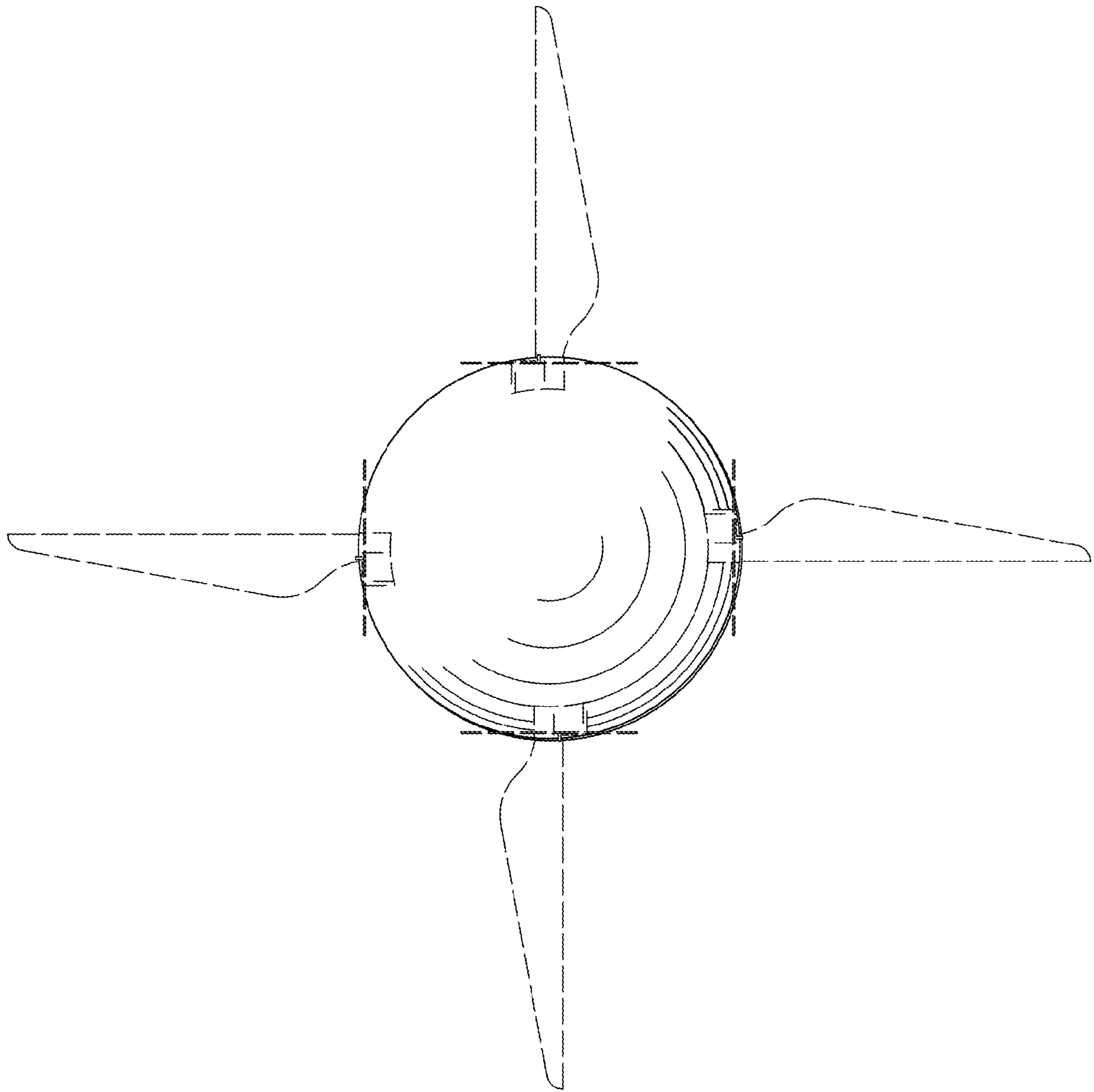


FIG. 2

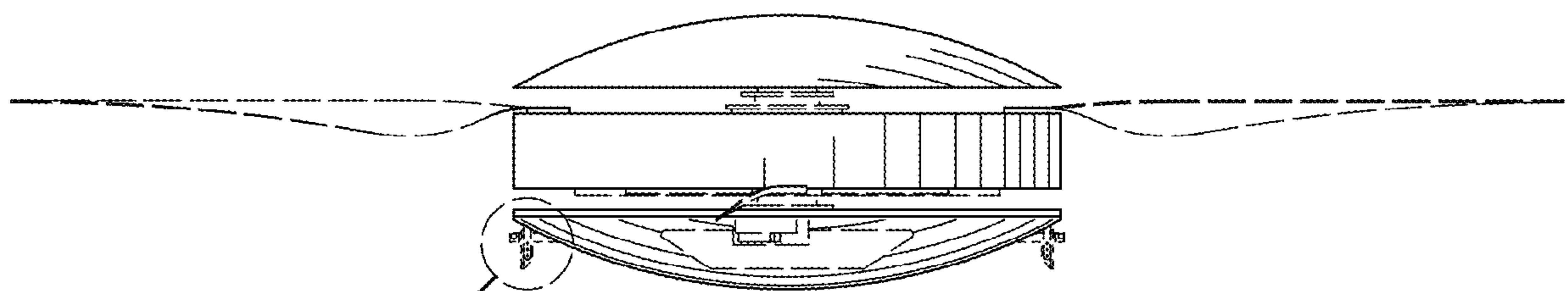


FIG. 7

FIG. 4

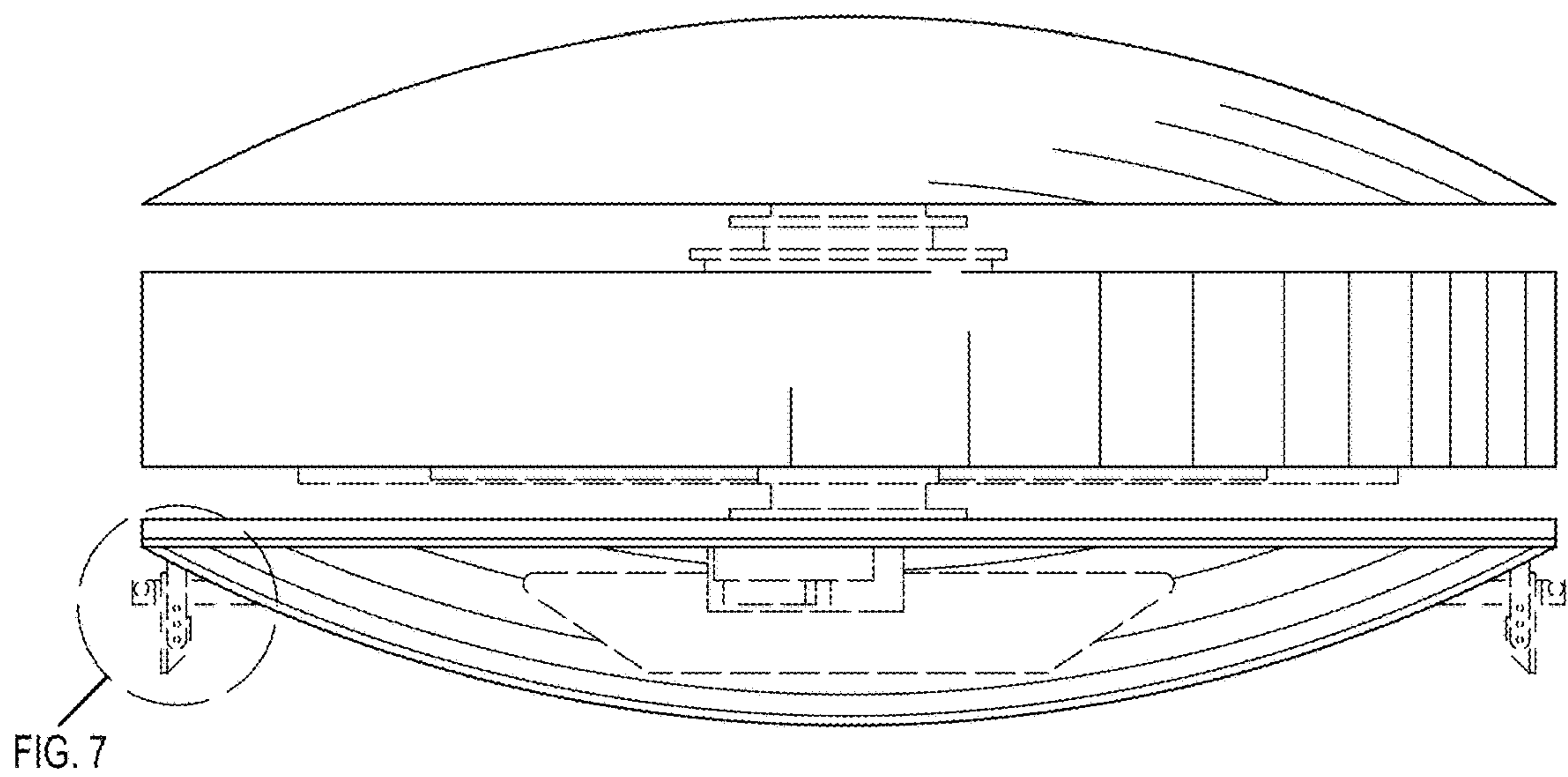


FIG. 5

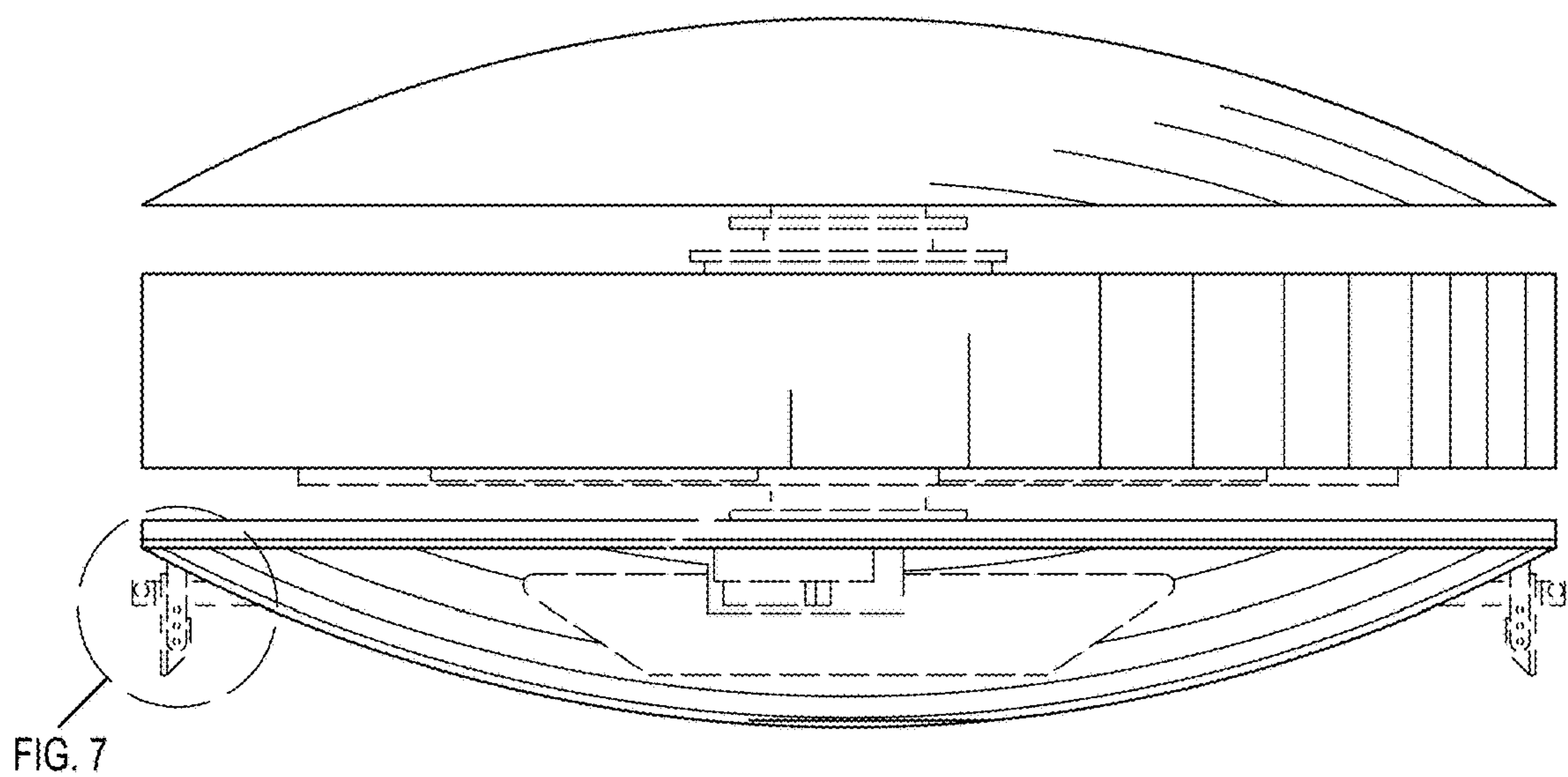


FIG. 6

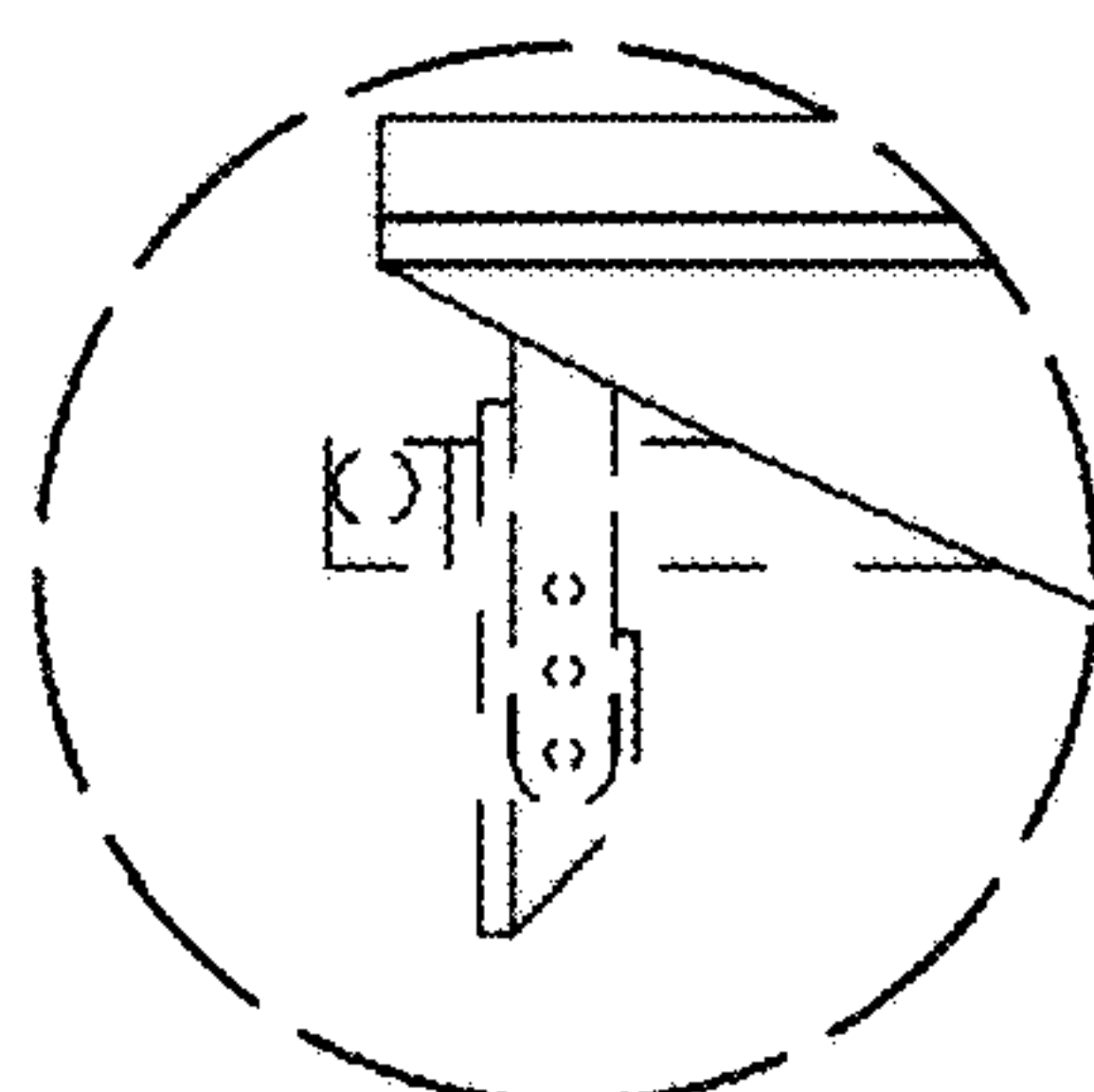


FIG. 7