



US00D904958S

(12) **United States Design Patent** (10) **Patent No.:** **US D904,958 S**  
**Setter** (45) **Date of Patent:** **\*\* Dec. 15, 2020**

(54) **WHEEL**  
(71) Applicant: **Jaguar Land Rover Limited**, Coventry (GB)  
(72) Inventor: **Adam Setter**, Coventry (GB)  
(73) Assignee: **Jaguar Land Rover Limited**, Coventry (GB)  
(\*\*) Term: **15 Years**  
(21) Appl. No.: **29/697,238**  
(22) Filed: **Jul. 5, 2019**

**Related U.S. Application Data**

(62) Division of application No. 29/655,426, filed on Jul. 3, 2018, now Pat. No. Des. 857,590, which is a division of application No. 29/604,885, filed on May 22, 2017, now Pat. No. Des. 825,424.

**Foreign Application Priority Data**

(30) Nov. 30, 2016 (EM) ..... 003492891-0005  
Nov. 30, 2016 (EM) ..... 003492891-0006  
(51) **LOC (12) Cl.** ..... **12-16**  
(52) **U.S. Cl.**  
USPC ..... **D12/209**  
(58) **Field of Classification Search**  
USPC ..... D12/204, 205, 206, 207, 208, 209, 210, 211, 212, 213  
CPC .... B60B 7/00; B60B 7/01; B60B 7/02; B60B 7/04; B60B 7/06; B60B 3/02; B60B 3/04; B60B 3/06; B60B 3/10; B60B 1/00; B60B 1/08; B60B 1/10; B60B 1/12  
See application file for complete search history.

**References Cited**

**U.S. PATENT DOCUMENTS**

D685,709 S \* 7/2013 Hanaoka ..... D12/209  
D695,669 S \* 12/2013 Pollmann ..... D12/209

D715,209 S \* 10/2014 Tovey ..... D12/209  
D725,569 S \* 3/2015 Komukai ..... D12/209  
D752,496 S \* 3/2016 Smith ..... D12/209  
D753,045 S \* 4/2016 Kawaguchi ..... D12/209  
D754,047 S \* 4/2016 Frascella ..... D12/209  
D762,543 S \* 8/2016 Hara ..... D12/209  
D774,437 S \* 12/2016 Nakano ..... D12/209  
D775,044 S \* 12/2016 Smith ..... D12/209  
D778,798 S \* 2/2017 Park ..... D12/209

(Continued)

*Primary Examiner* — Khawaja Anwar  
*Assistant Examiner* — Mojtaba Tehrani  
(74) *Attorney, Agent, or Firm* — Wood Herron & Evans LLP

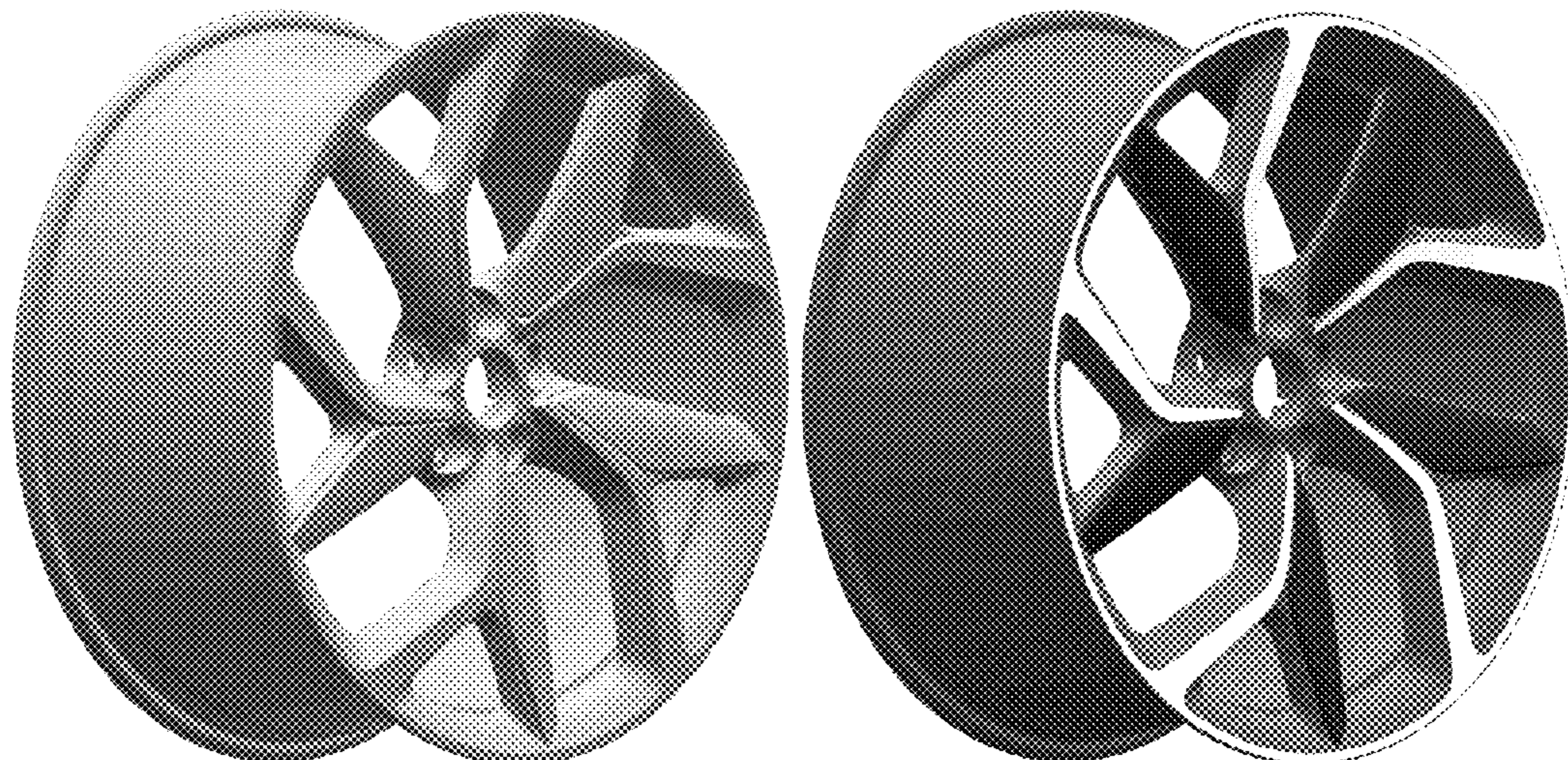
(57) **CLAIM**

The ornamental design for a wheel, as shown and described.

**DESCRIPTION**

FIG. 1 is a front left perspective view of the first embodiment of a wheel, showing my new design;  
FIG. 2 is a front right perspective view thereof;  
FIG. 3 is a front view thereof;  
FIG. 4 is a left side view thereof, the right side view being a mirror image thereof;  
FIG. 5 is a rear view thereof;  
FIG. 6 is a rear right perspective view thereof;  
FIG. 7 is a rear left perspective view thereof;  
FIG. 8 is a front left perspective view of the second embodiment of a WHEEL, showing my new design;  
FIG. 9 is a front right perspective view thereof;  
FIG. 10 is a front view thereof;  
FIG. 11 is a left side view thereof, the right side view being a mirror image thereof;  
FIG. 12 is a rear view thereof;  
FIG. 13 is a rear right perspective view thereof; and  
FIG. 14 is a rear left perspective view thereof.

**1 Claim, 10 Drawing Sheets**



(56)

**References Cited**

## U.S. PATENT DOCUMENTS

|          |   |   |         |                 |       |         |
|----------|---|---|---------|-----------------|-------|---------|
| D780,083 | S | * | 2/2017  | Wheel           | ..... | D12/209 |
| D788,674 | S | * | 6/2017  | Mielke          | ..... | D12/209 |
| D790,421 | S | * | 6/2017  | Grewer          | ..... | D12/209 |
| D790,426 | S | * | 6/2017  | Valencia Pollex | ..... | D12/209 |
| D791,046 | S | * | 7/2017  | Ishii           | ..... | D12/209 |
| D798,212 | S | * | 9/2017  | Chung           | ..... | D12/209 |
| D803,131 | S | * | 11/2017 | Bridan          | ..... | D12/209 |
| D825,424 | S | * | 8/2018  | Setter          | ..... | D12/209 |
| D835,561 | S | * | 12/2018 | Hayashi         | ..... | D12/209 |
| D836,053 | S | * | 12/2018 | Hagino          | ..... | D12/209 |
| D836,524 | S | * | 12/2018 | Austin          | ..... | D12/209 |
| D837,714 | S | * | 1/2019  | Beaven          | ..... | D12/209 |
| D838,651 | S | * | 1/2019  | Kato            | ..... | D12/209 |
| D839,171 | S | * | 1/2019  | Hodges          | ..... | D12/209 |
| D839,812 | S | * | 2/2019  | He              | ..... | D12/209 |
| D848,338 | S | * | 5/2019  | Tovey           | ..... | D12/209 |
| D848,922 | S | * | 5/2019  | Tovey           | ..... | D12/209 |
| D857,590 | S | * | 8/2019  | Setter          | ..... | D12/209 |
| D866,434 | S | * | 11/2019 | Lefranc         | ..... | D12/209 |
| D867,957 | S | * | 11/2019 | Kato            | ..... | D12/209 |
| D870,634 | S | * | 12/2019 | Tovey           | ..... | D12/209 |
| D872,674 | S | * | 1/2020  | Beaven          | ..... | D12/209 |
| D879,000 | S | * | 3/2020  | Wang            | ..... | D12/209 |

\* cited by examiner



FIG. 1



FIG. 2

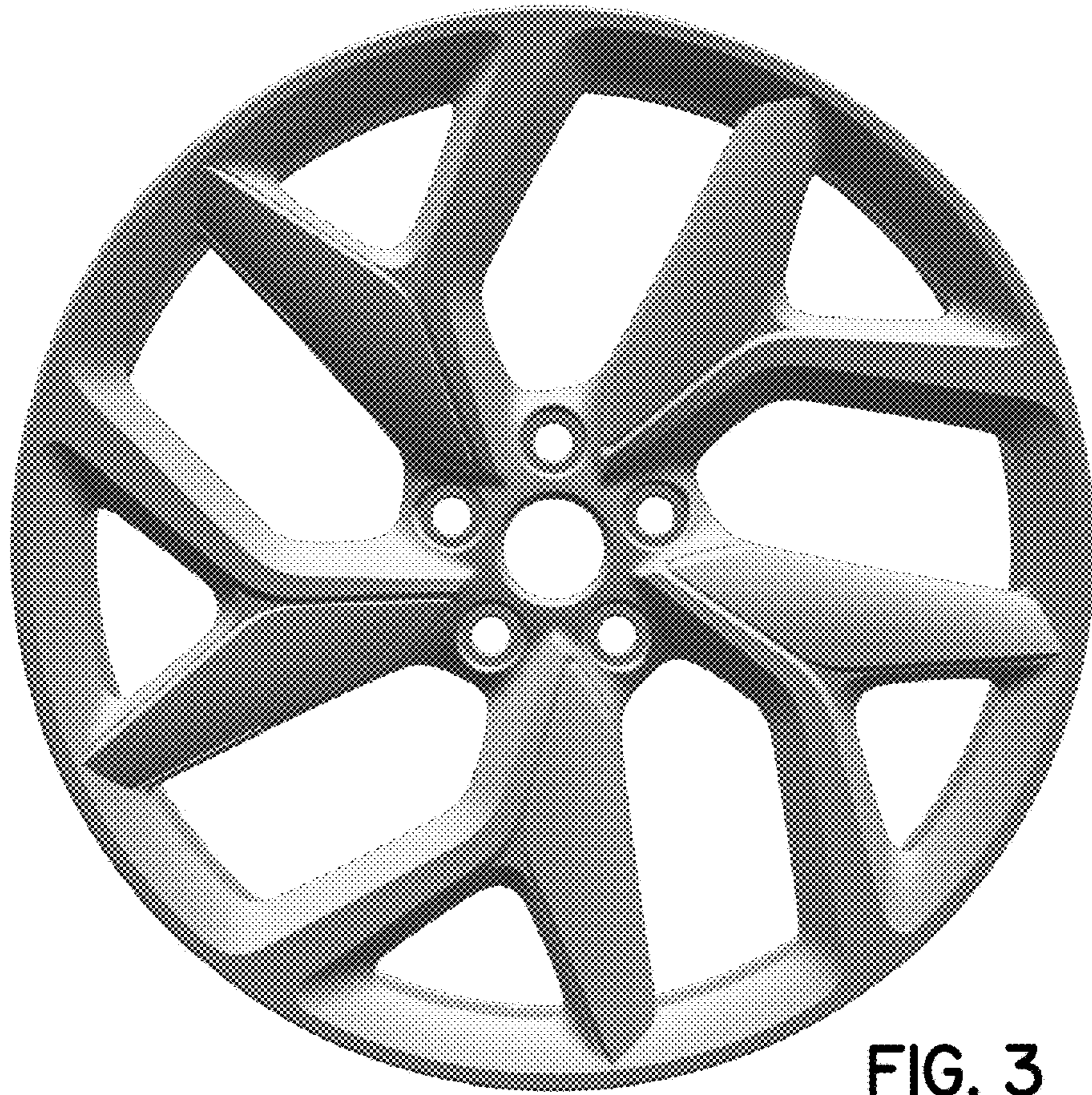


FIG. 3

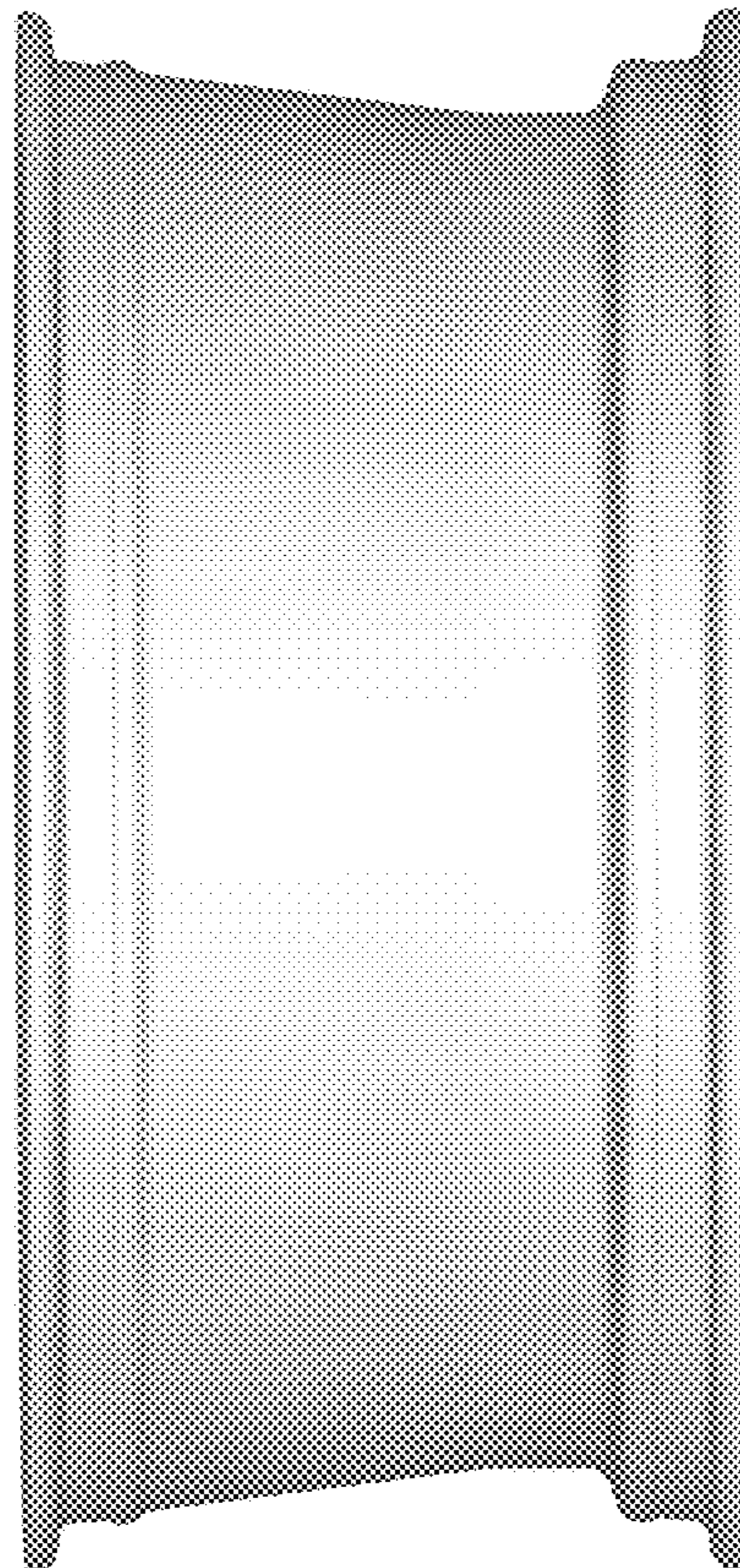


FIG. 4



FIG. 5



FIG. 6



FIG. 7



FIG. 8





FIG. 9



FIG. 10

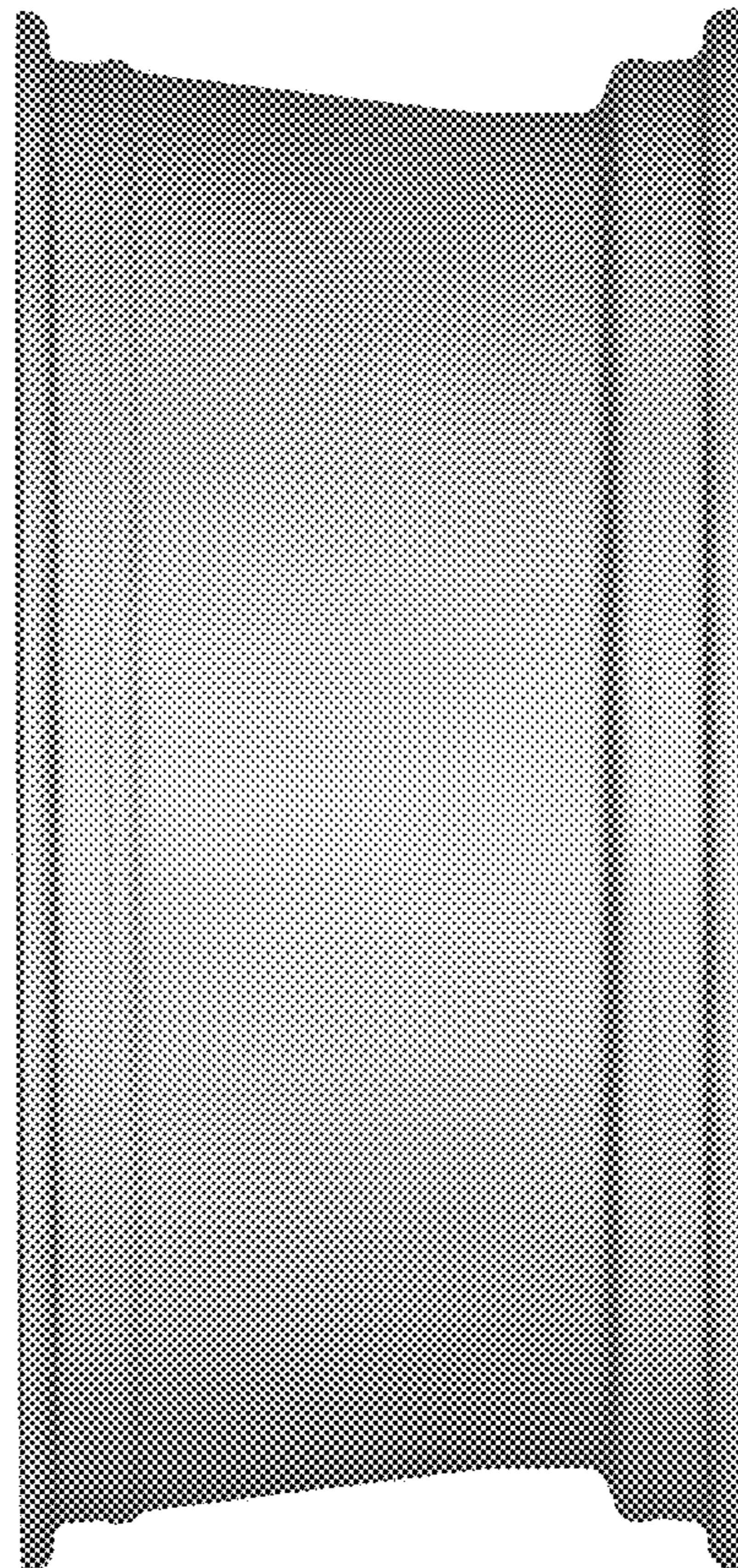


FIG. 11



FIG. 12



FIG. 13



FIG. 14