



US00D904957S

(12) **United States Design Patent**  
**Wheel et al.**

(10) **Patent No.:** **US D904,957 S**

(45) **Date of Patent:** **\*\* Dec. 15, 2020**

(54) **WHEEL**

(71) Applicant: **Jaguar Land Rover Limited**, Coventry (GB)

(72) Inventors: **Andrew Wheel**, Coventry (GB); **Borys Dabrowski**, Coventry (GB)

(73) Assignee: **Jaguar Land Rover Limited**, Coventry (GB)

(\*\*) Term: **15 Years**

(21) Appl. No.: **29/688,894**

(22) Filed: **Apr. 25, 2019**

(30) **Foreign Application Priority Data**

Oct. 25, 2018 (EM) ..... 005808474

(51) **LOC (12) Cl.** ..... **12-16**

(52) **U.S. Cl.**  
USPC ..... **D12/209**

(58) **Field of Classification Search**

USPC ..... D12/204–213; D21/563

CPC .... B60B 7/00; B60B 7/02; B60B 7/04; B60B

7/01; B60B 7/06; B60B 3/02; B60B 3/04;

B60B 3/06; B60B 3/10; B60B 1/00;

B60B 1/08; B60B 1/10; B60B 1/12

See application file for complete search history.

(56) **References Cited**

**U.S. PATENT DOCUMENTS**

D709,427 S \* 7/2014 Clottu ..... D12/209

D781,763 S \* 3/2017 Webber ..... D12/209

D805,989 S \* 12/2017 Grewer ..... D12/209

D819,535 S \* 6/2018 Austin ..... D12/209

D836,524 S \* 12/2018 Austin ..... D12/209

D849,649 S \* 5/2019 Grewer ..... D12/209

D862,349 S \* 10/2019 Woodhouse ..... D12/209

D876,306 S \* 2/2020 Battams ..... D12/209

D877,030 S \* 3/2020 Grewer ..... D12/209

D879,003 S \* 3/2020 Poliak ..... D12/209

D881,779 S \* 4/2020 Tomasson ..... D12/209

D888,643 S \* 6/2020 Peters ..... D12/209

D889,361 S \* 7/2020 Minchella ..... D12/209

D889,369 S \* 7/2020 Lee ..... D12/209

D890,067 S \* 7/2020 Woodhouse ..... D12/209

\* cited by examiner

*Primary Examiner* — Stacia A Cadmus

(74) *Attorney, Agent, or Firm* — Wood Herron & Evans LLP

(57) **CLAIM**

The ornamental design for a wheel, as shown and described.

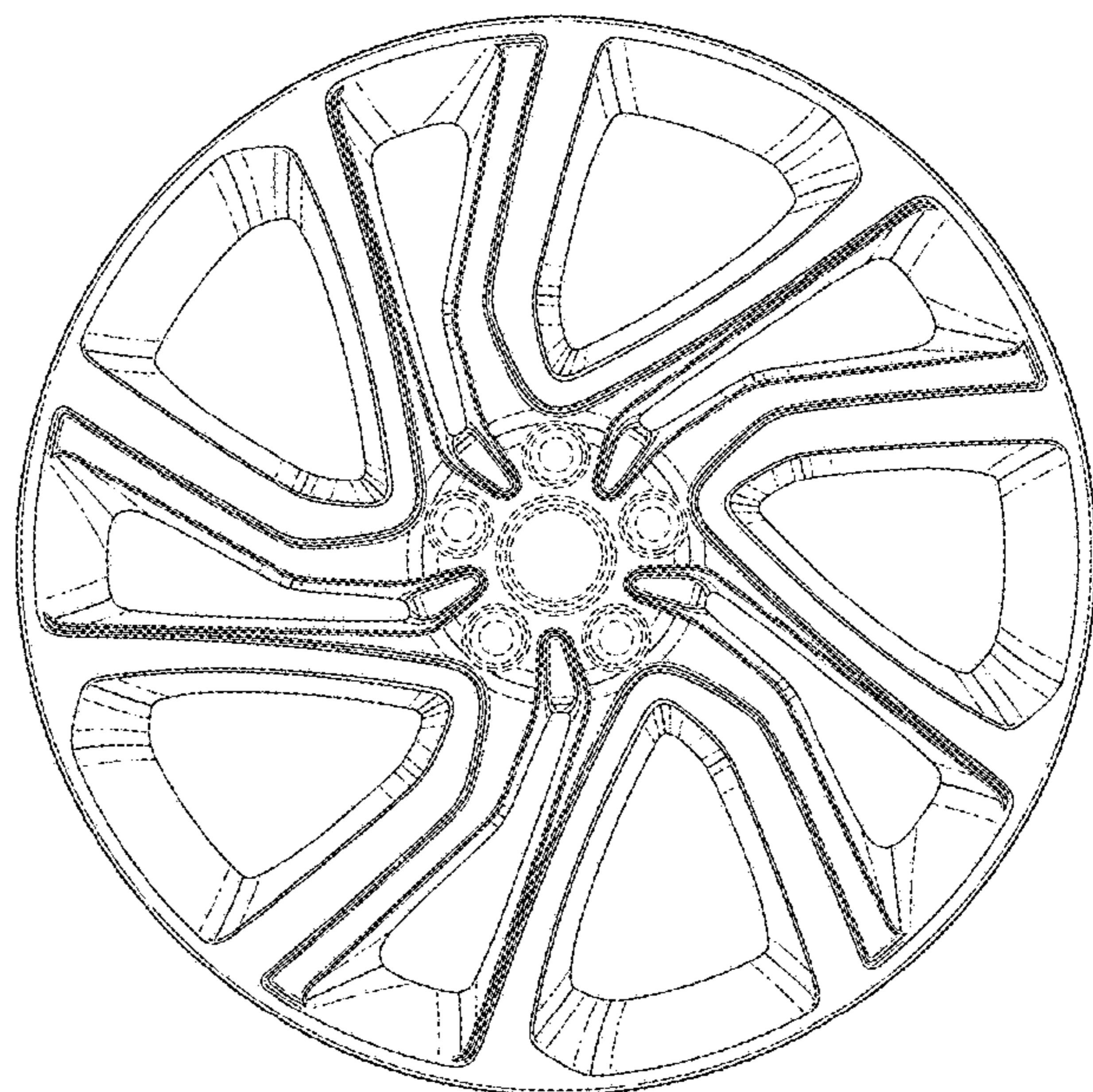
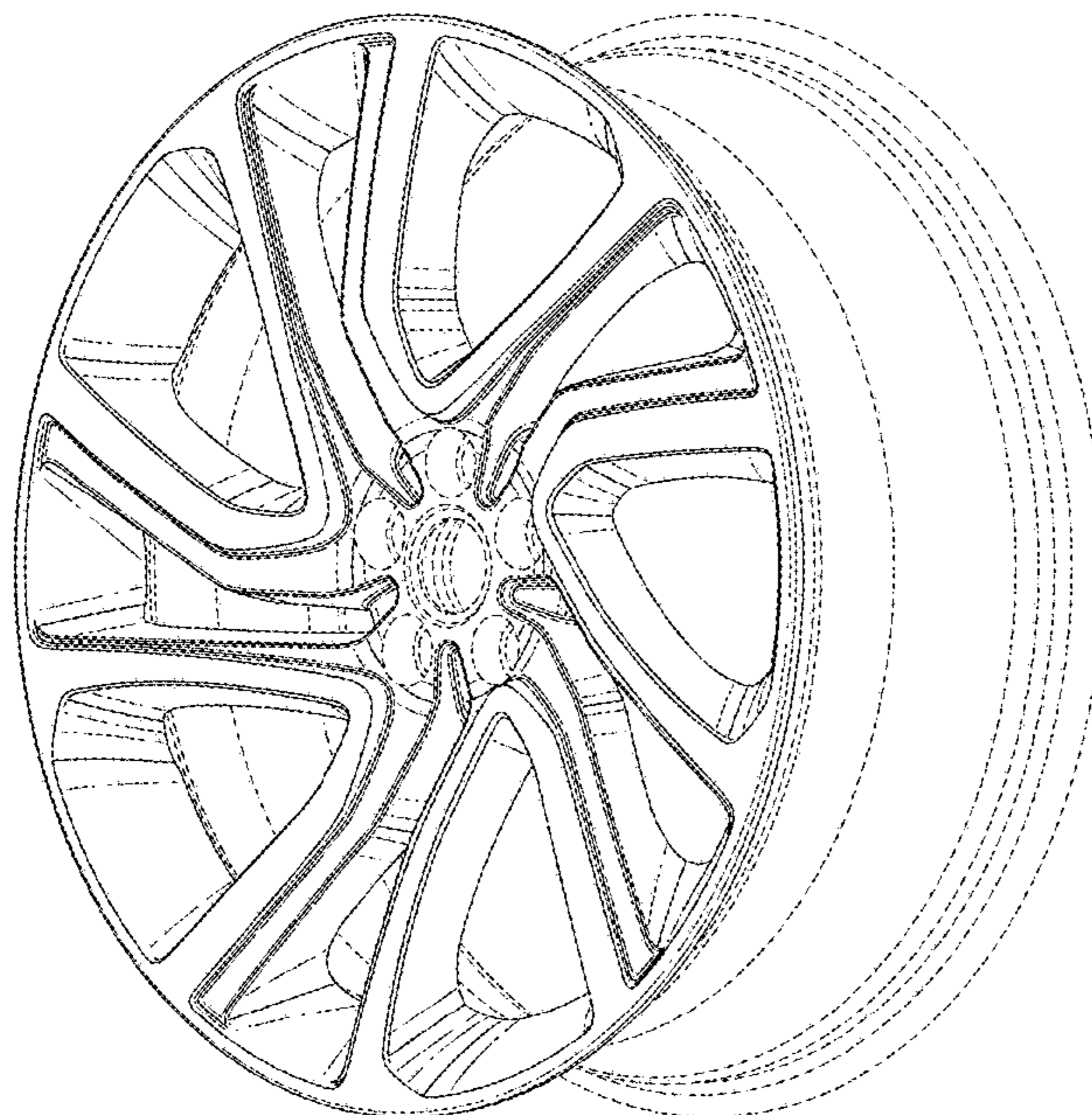
**DESCRIPTION**

FIG. 1 is a front right perspective view of a wheel according to the present invention.

FIG. 2 is a front view of the wheel shown in FIG. 1; and, FIG. 3 is a left side view thereof, the right side view being a mirror image thereof.

The broken lines form no part of the claimed design, but are instead included to show environmental structure.

**1 Claim, 3 Drawing Sheets**



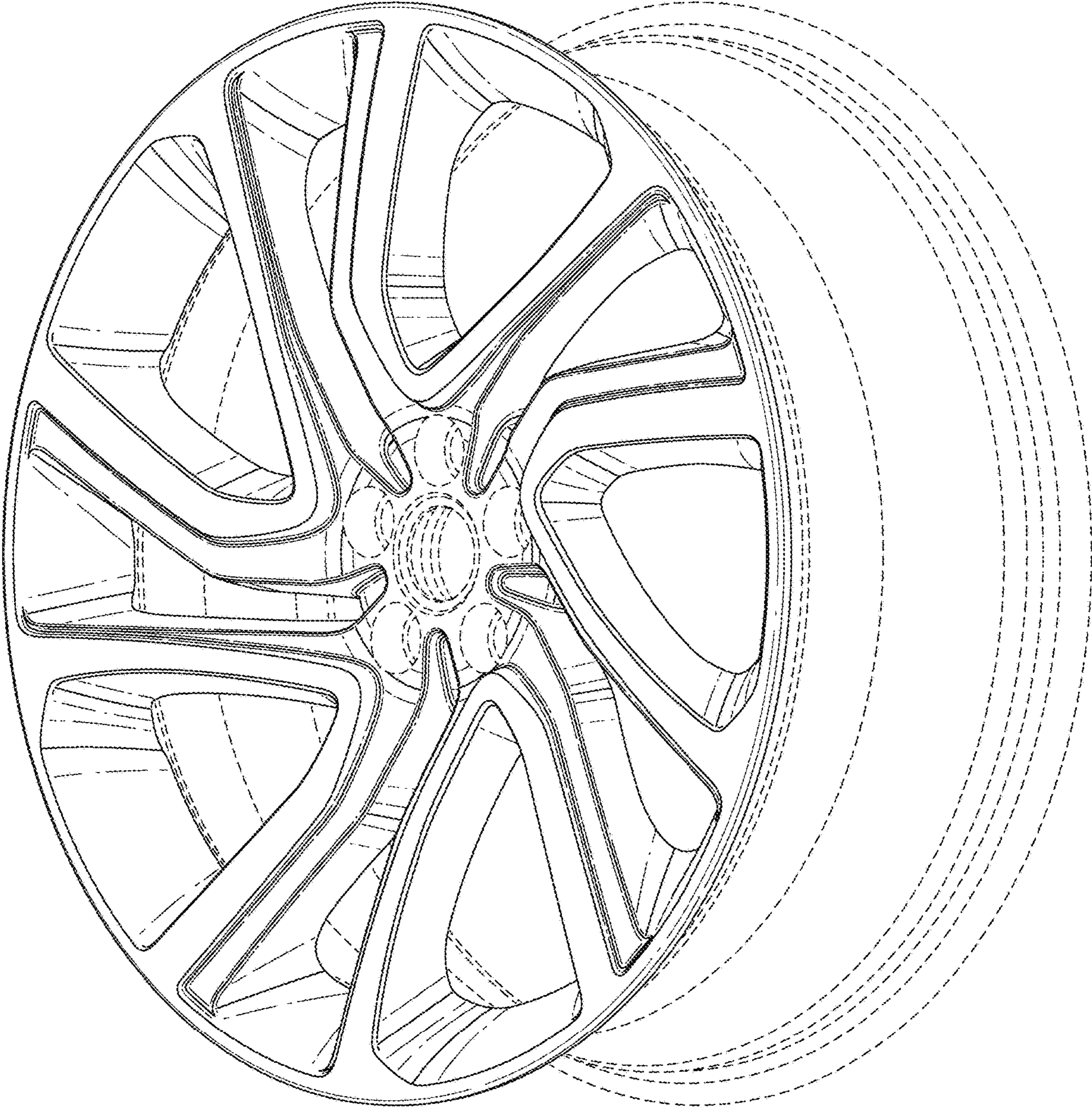


FIG. 1

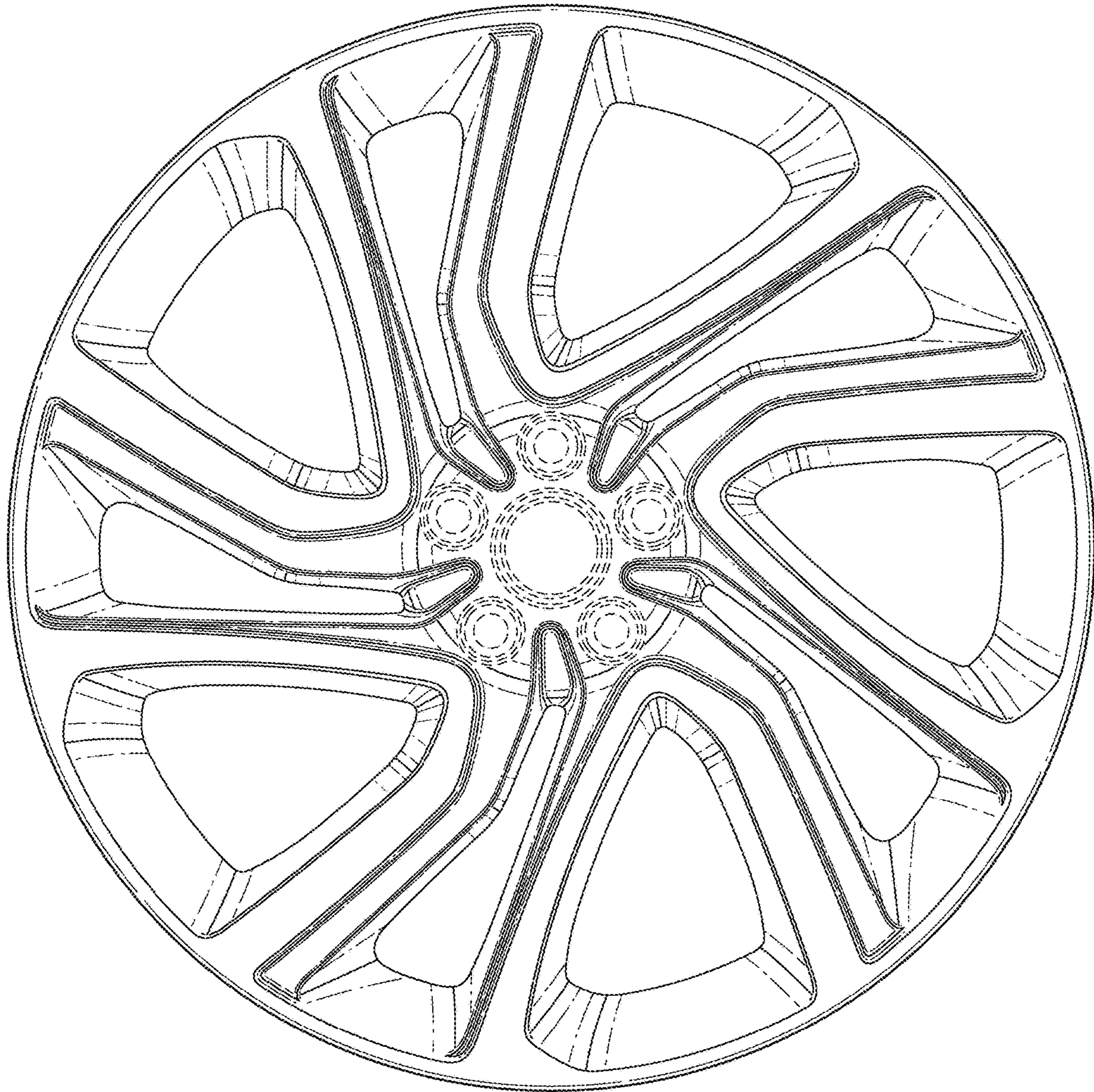


FIG. 2

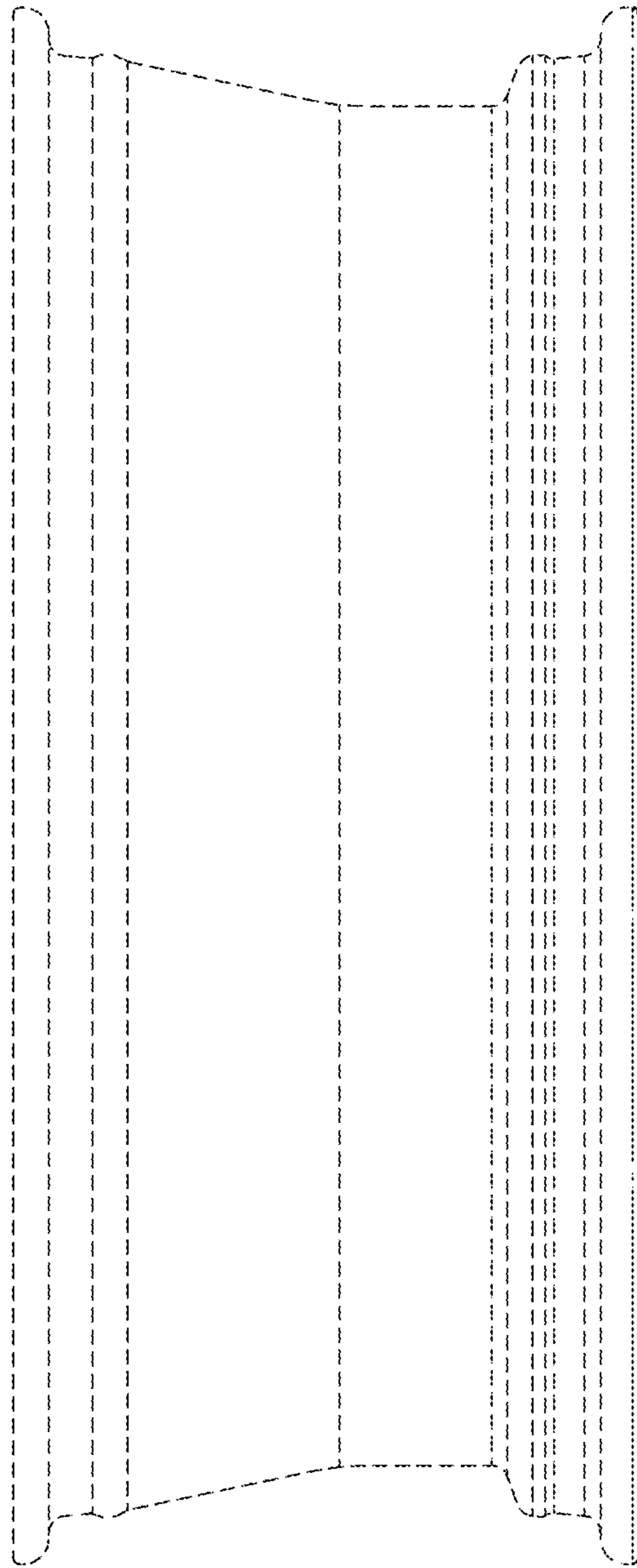


FIG. 3