



US00D904954S

(12) **United States Design Patent**
Sagayama

(10) **Patent No.:** **US D904,954 S**

(45) **Date of Patent:** **** Dec. 15, 2020**

(54) **HYDRAULIC CONTROLLER FOR VEHICLE**

(71) Applicant: **ROBERT BOSCH GMBH**, Stuttgart (DE)

(72) Inventor: **Kousaku Sagayama**, Yokohama (JP)

(73) Assignee: **ROBERT BOSCH GMBH**, Stuttgart (DE)

(**) Term: **15 Years**

(21) Appl. No.: **35/507,279**

(22) Filed: **Feb. 19, 2019**

(80) **Hague Agreement Data**

Int. Filing Date: **Feb. 19, 2019**

Int. Reg. No.: **DM/201529**

Int. Reg. Date: **Feb. 19, 2019**

Int. Reg. Pub. Date: **Aug. 23, 2019**

(51) **LOC (12) Cl.** **12-11**

(52) **U.S. Cl.**
USPC **D12/192**

(58) **Field of Classification Search**
USPC D12/110, 114, 192, 415; D10/46, 98,
D10/102-103, 122-127; D15/17, 28
CPC B60K 35/00; B60K 37/04; B60K 37/06;
B60R 11/0235; B60R 11/0252
See application file for complete search history.

(56) **References Cited**

U.S. PATENT DOCUMENTS

D327,865 S	*	7/1992	Falcoff	D12/195
D573,517 S	*	7/2008	Day	D12/192
D573,518 S	*	7/2008	Day	D12/192
D573,519 S	*	7/2008	Day	D12/192
D602,830 S	*	10/2009	Saint-Jalmes	D12/192
D608,264 S	*	1/2010	Hwang	D12/192
D622,195 S	*	8/2010	Lester	D12/192
D650,728 S	*	12/2011	Mayrand	D12/192

D654,004 S	*	2/2012	Hamajima	D12/192
D656,074 S	*	3/2012	Ohmori	D12/192
D697,847 S	*	1/2014	Waugh	D12/192
D697,850 S	*	1/2014	Waugh	D12/192
D697,853 S	*	1/2014	Uk Chang	D12/192
D719,883 S	*	12/2014	Palma	D12/195
D772,128 S	*	11/2016	Platt	D12/192
D775,563 S	*	1/2017	Shan	D12/192
D780,078 S	*	2/2017	Hashimoto	D12/192
D791,663 S	*	7/2017	Gonzalez	D12/192
D793,314 S	*	8/2017	Yoon	D12/192
D801,245 S	*	10/2017	Giolito	D12/192
D808,874 S	*	1/2018	Gao	D12/192
D823,206 S	*	7/2018	Watanabe	D12/192
D843,288 S	*	3/2019	Fontaeus	D12/192
2017/0217359 A1	*	8/2017	Huettner	B60Q 1/30
2019/0092246 A1	*	3/2019	Yamazaki	B60R 7/06

* cited by examiner

Primary Examiner — Darlington Ly
(74) *Attorney, Agent, or Firm* — Michael Best & Friedrich LLP

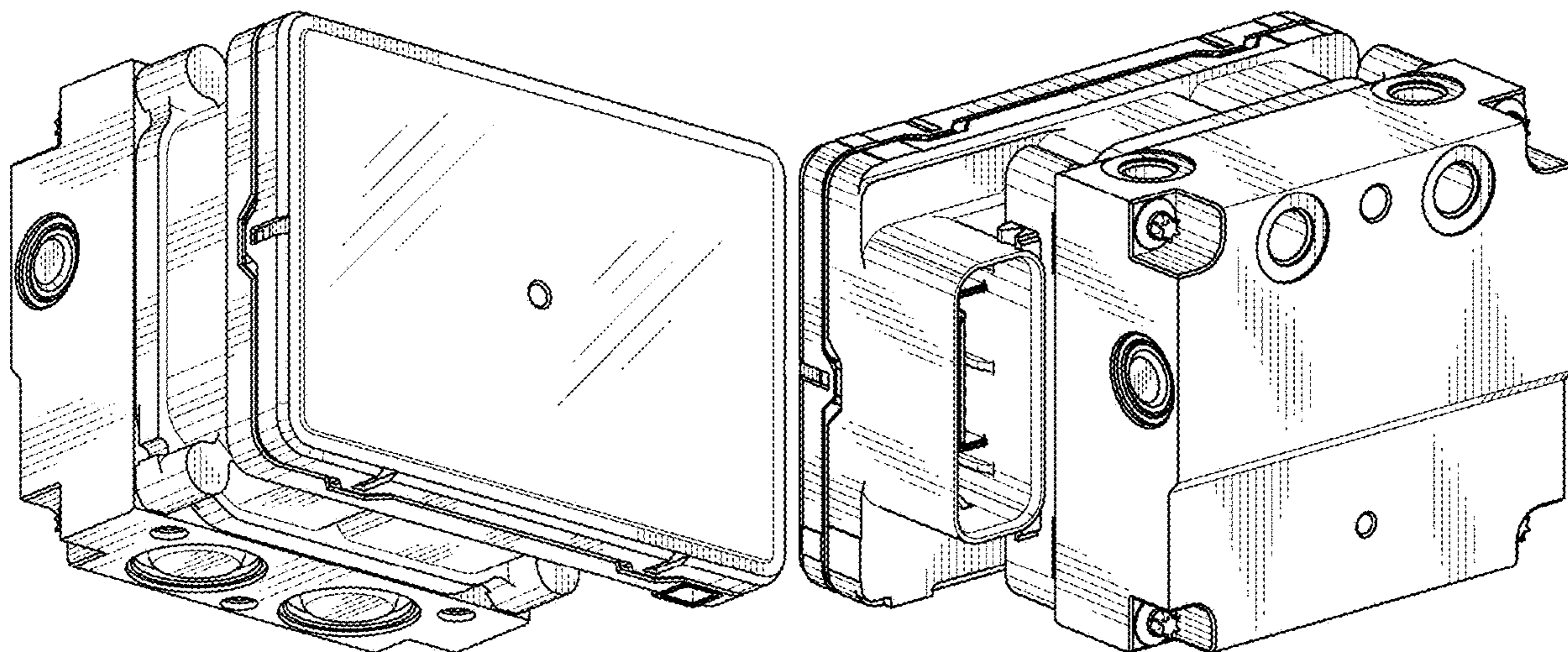
(57) **CLAIM**

The ornamental design for a hydraulic controller for vehicle, as shown and described.

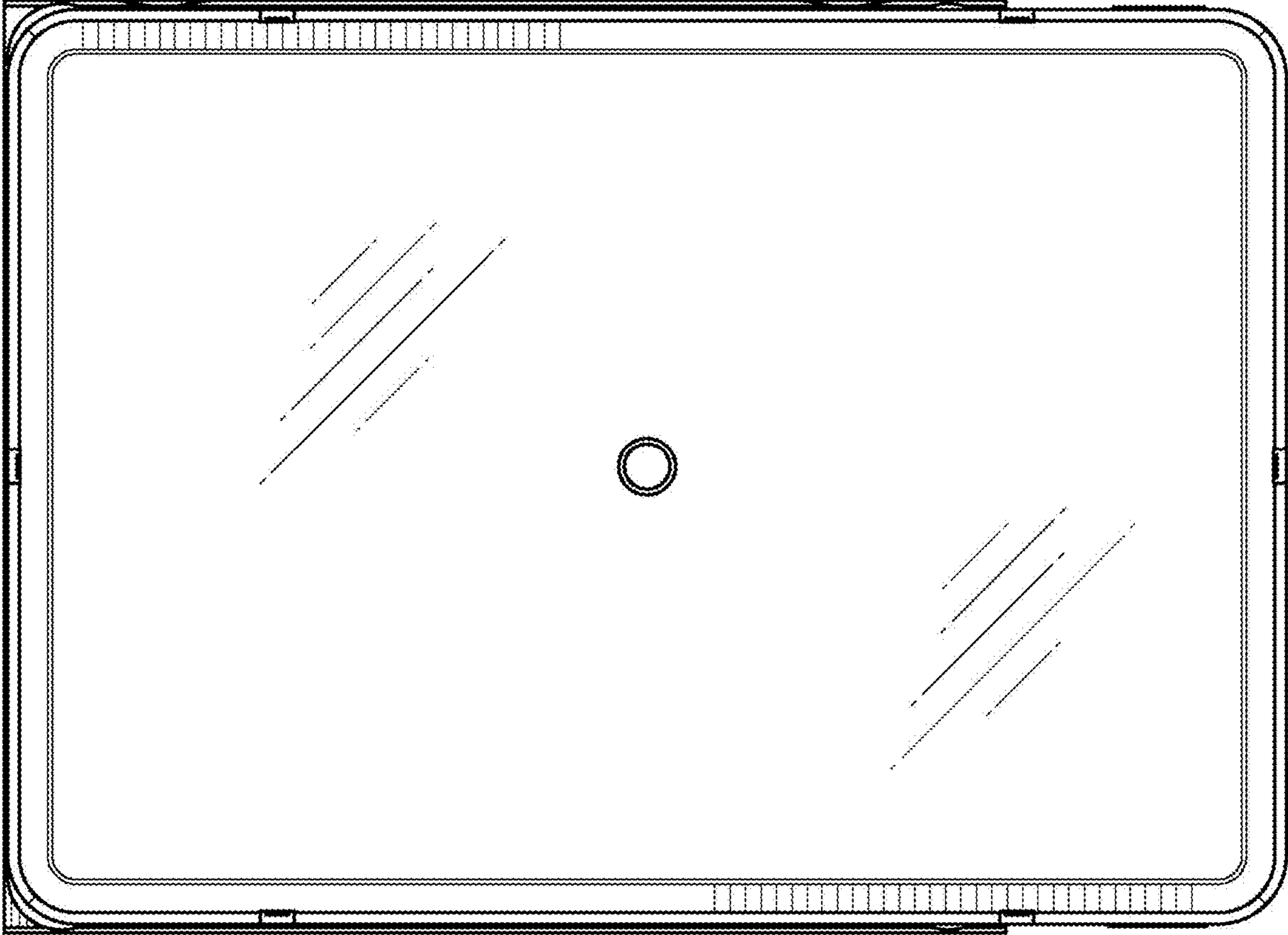
DESCRIPTION

1. Hydraulic controller for vehicle
1.1 is a front elevation view of a hydraulic controller for vehicle showing my new design;
1.2 is a rear elevation view thereof;
1.3 is a top plan view thereof;
1.4 is a bottom plan view thereof;
1.5 is a right side elevation view thereof;
1.6 is a left side elevation view thereof;
1.7 is a front perspective view thereof; and
1.8 is a rear perspective view thereof.
Design **1** is an apparatus for controlling pressure of brake liquid in a wheel cylinder of a vehicle such as motor cycle, automobile or bicycle; regarding design **1**, thin lines specify a shape of three dimensional surface;

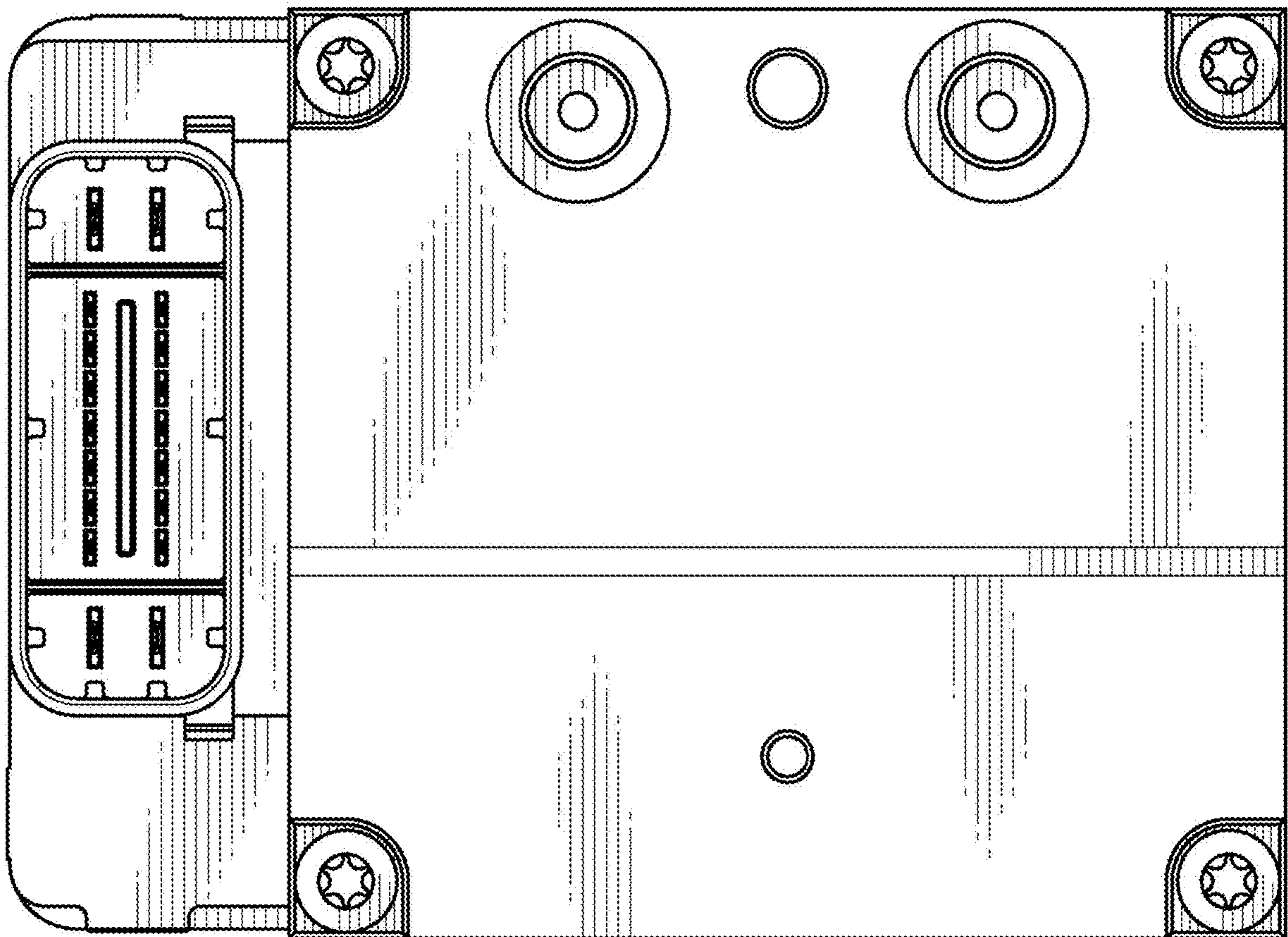
1 Claim, 8 Drawing Sheets



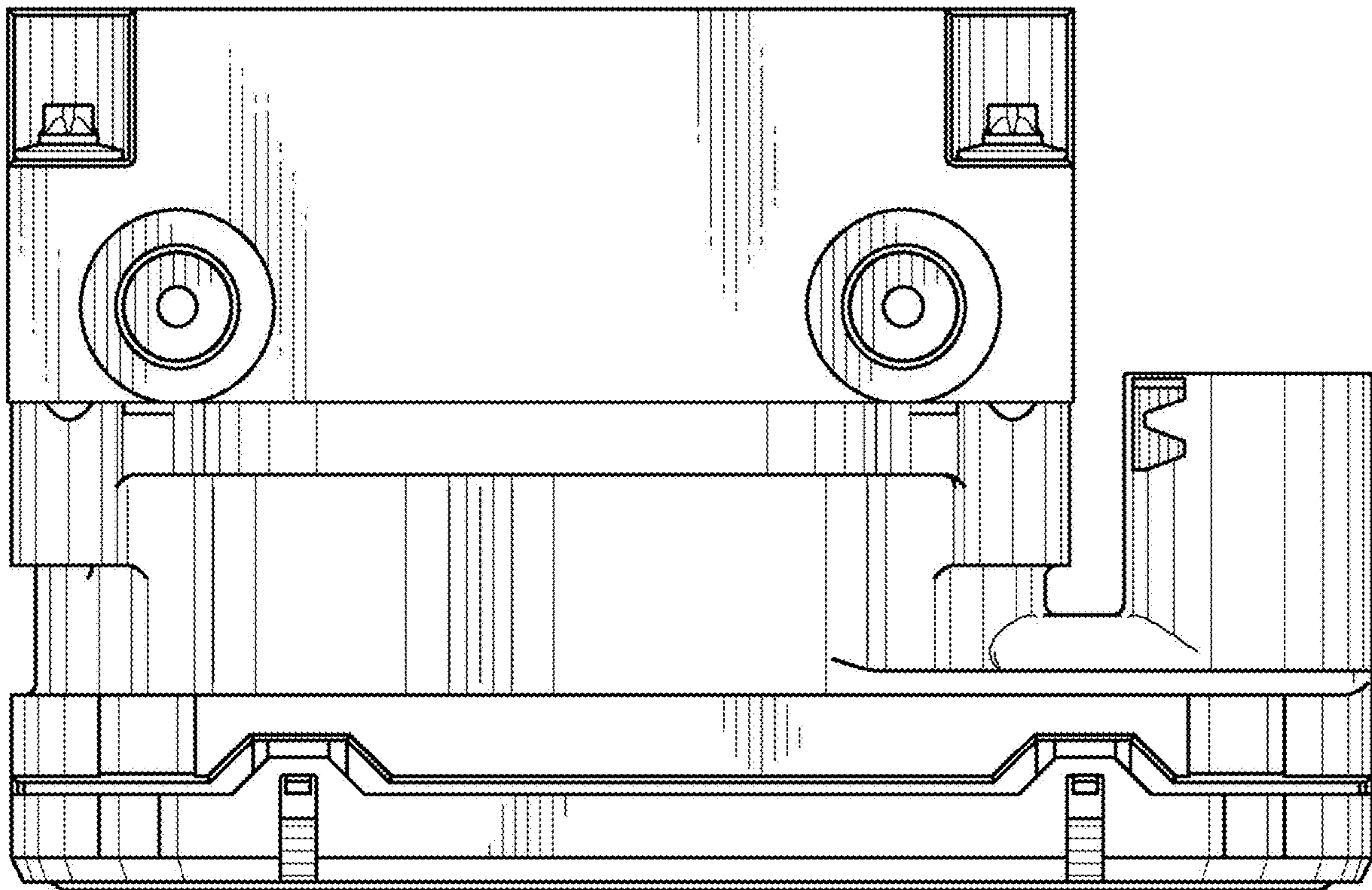
1.1



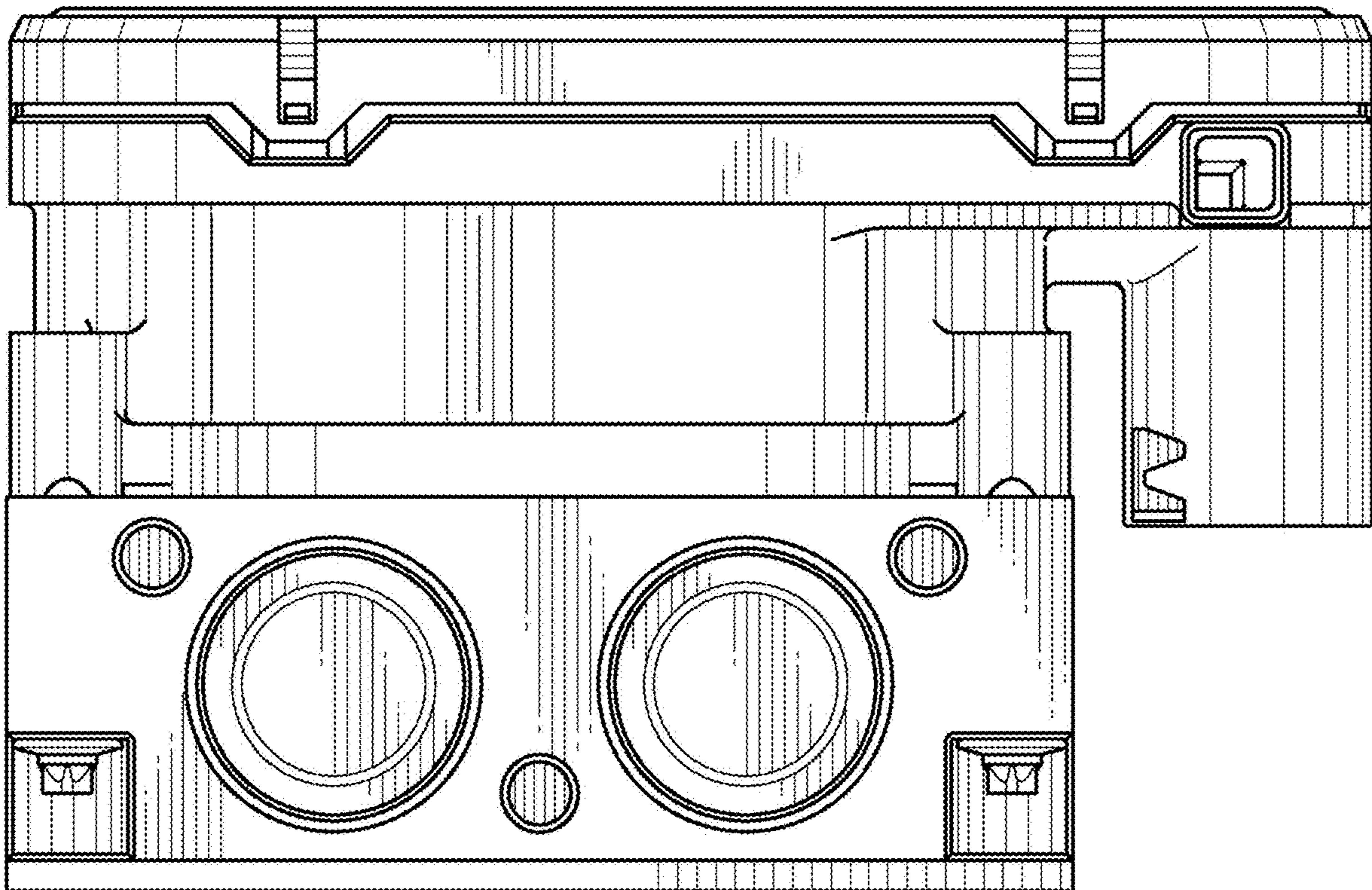
1.2



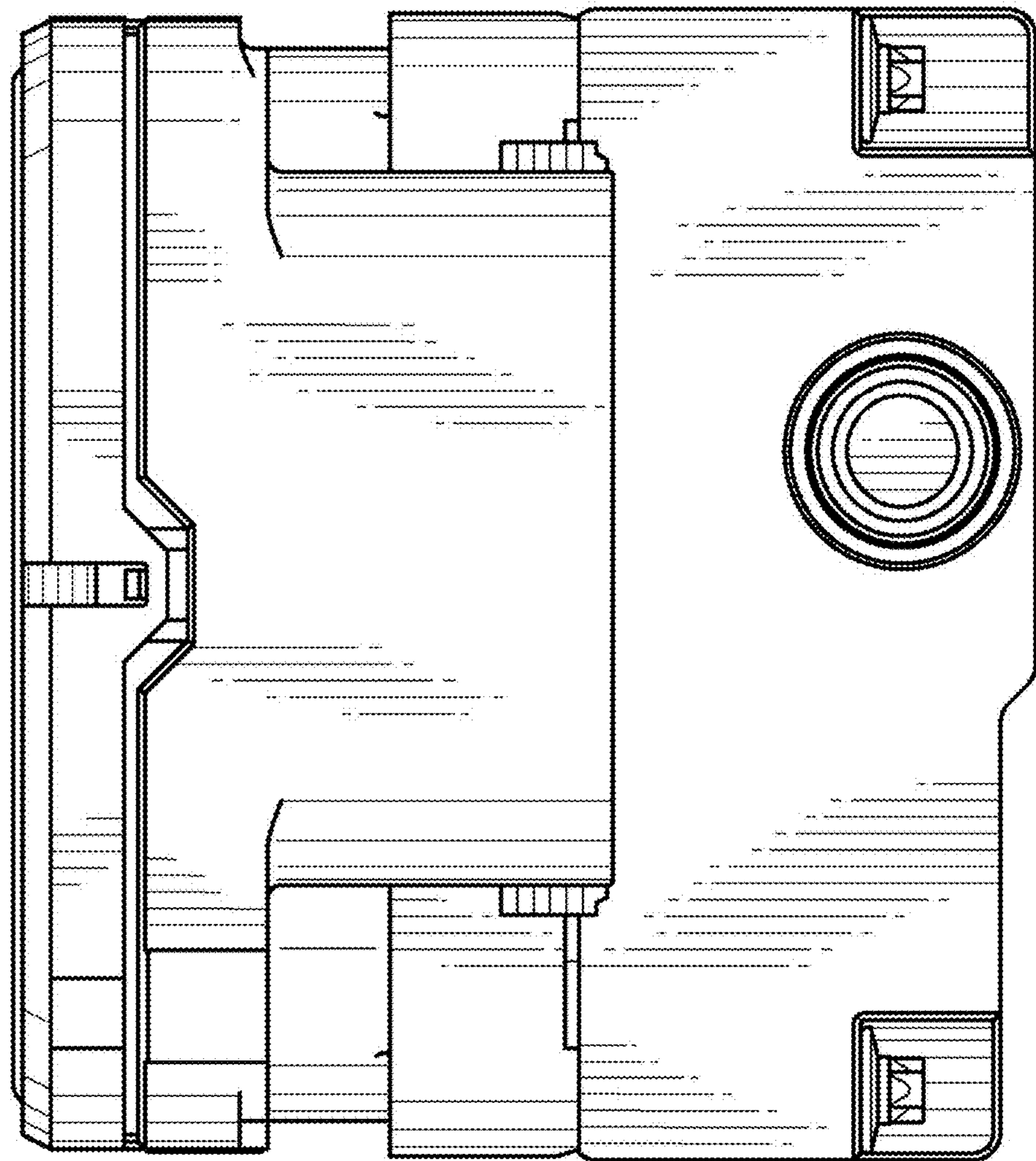
1.3



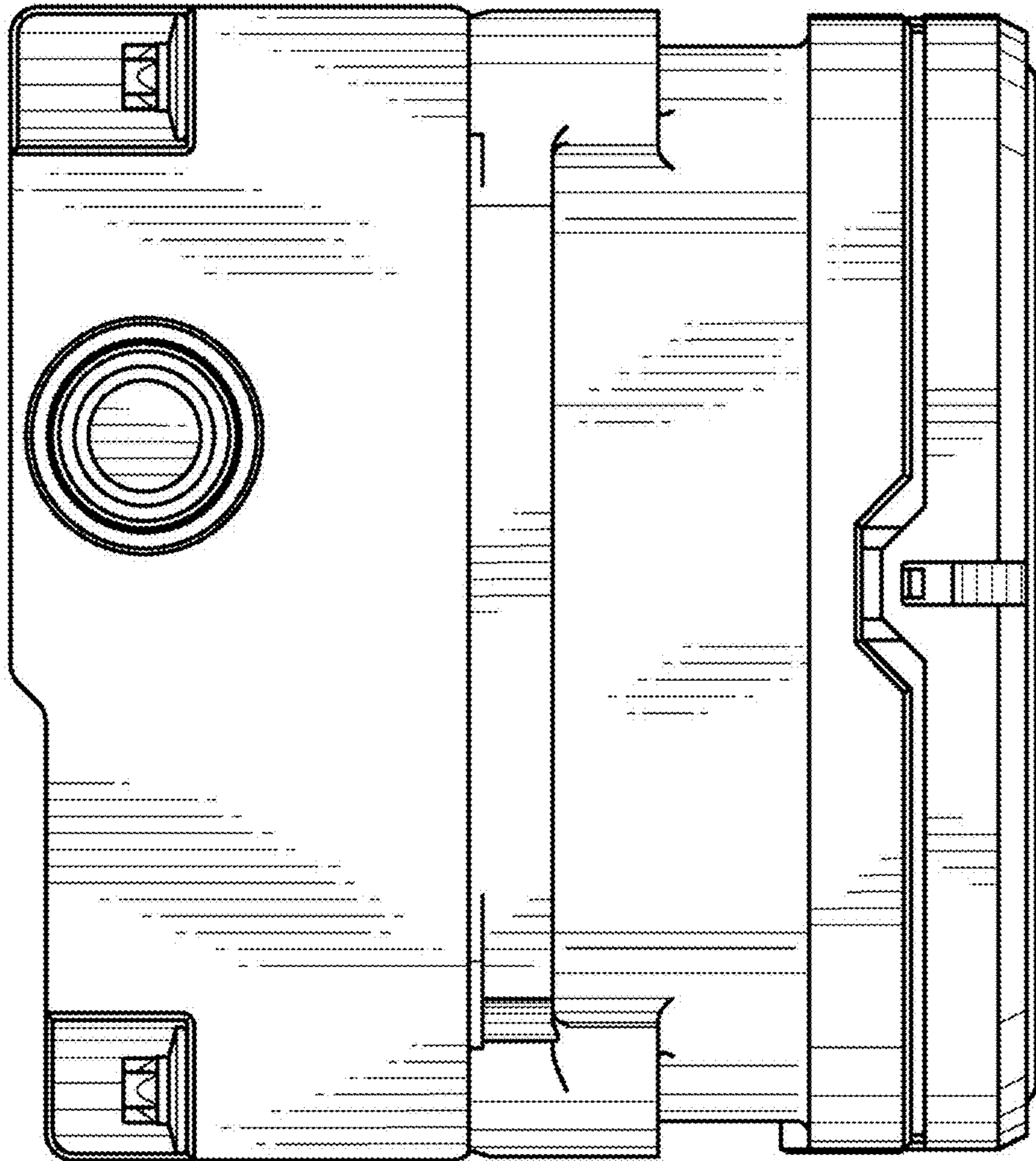
1.4



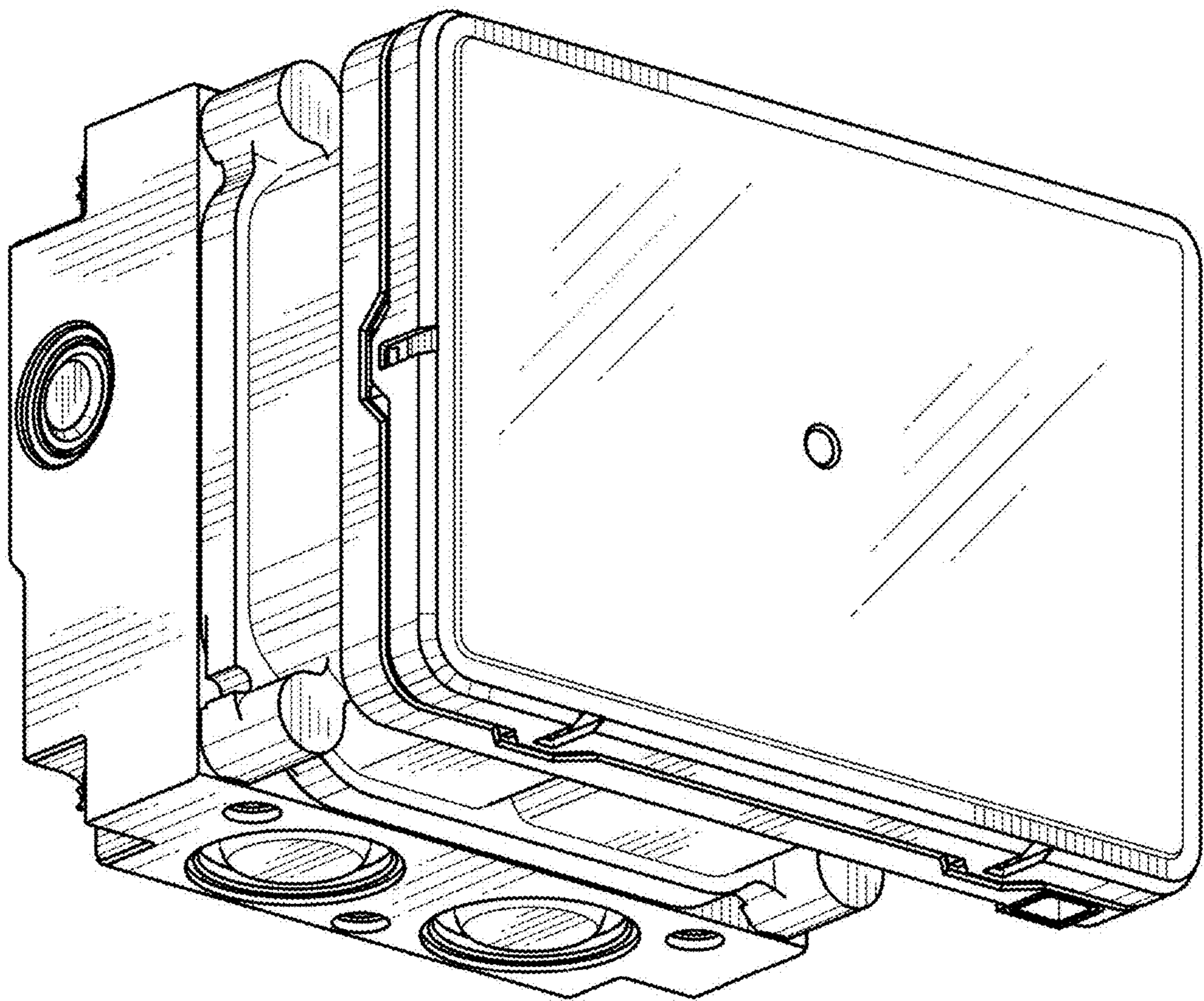
1.5



1.6



1.7



1.8

