



US00D904953S

(12) **United States Design Patent**
Gu et al.

(10) **Patent No.:** **US D904,953 S**

(45) **Date of Patent:** **** Dec. 15, 2020**

(54) **VEHICLE EQUIPMENT**

(71) Applicant: **ADVANCED NEW TECHNOLOGIES CO., LTD.**, Grand Cayman (KY)

(72) Inventors: **Fenghuan Gu**, Hong Kong (CN); **Xuelong Li**, Hangzhou (CN)

(73) Assignee: **ADVANCED NEW TECHNOLOGIES CO., LTD.**, Grand Cayman (KY)

(**) Term: **15 Years**

(21) Appl. No.: **29/696,967**

(22) Filed: **Jul. 2, 2019**

(30) **Foreign Application Priority Data**

Jan. 15, 2019 (CN) 2019 3 0021075

(51) **LOC (12) Cl.** **12-16**

(52) **U.S. Cl.**
USPC **D12/192**

(58) **Field of Classification Search**
USPC D12/190, 191, 192, 195, 345, 415-420, D12/400, 110, 114, 106, 96, 99; D14/167, 168, 170-172, 188, 194-196, D14/204, 207, 209.1, 210-216, 219, 221, D14/222, 224, 239, 137, 160, 356, D14/203.1-203.8, 507, 184, 173; D10/46, 49, 50, 102, 103, 122-127, D10/113.4, 98; D15/17, 28; 236/46 R, 236/47, 94; 337/112, 327, 360; D20/28, D20/35; 296/70, 24.3, 37.12; 702/165; 345/158, 594; 715/839
CPC ... B60R 21/045; B60R 2300/305; B60R 7/04; B60R 7/06; B60R 7/08; B60K 35/00; B60K 37/00; B60K 37/02; B60K 37/04; B60K 37/06; G06F 3/04817; H04N 21/4307; H04N 21/4312

See application file for complete search history.

(56) **References Cited**

U.S. PATENT DOCUMENTS

D347,584 S *	6/1994	Vogelpohl	D10/49
D390,482 S *	2/1998	Pasquarette	D10/50
D425,571 S *	5/2000	Goto	D21/329
D433,672 S *	11/2000	Kobayashi	D14/509
D466,490 S *	12/2002	Zeitman	D14/509
D470,831 S *	2/2003	Zeitman	D14/509
D472,541 S *	4/2003	Yoshiyama	D14/510
D478,887 S *	8/2003	Jerome	D14/168
D505,936 S *	6/2005	Zeitman	D14/506
D506,150 S *	6/2005	Backlund	D10/50
D511,985 S *	11/2005	Kelly, Jr.	D10/106.1
D517,513 S *	3/2006	Peng	D14/129
D518,016 S *	3/2006	Hirano	D14/509

(Continued)

Primary Examiner — T Chase Nelson
Assistant Examiner — Jonathan J. Han

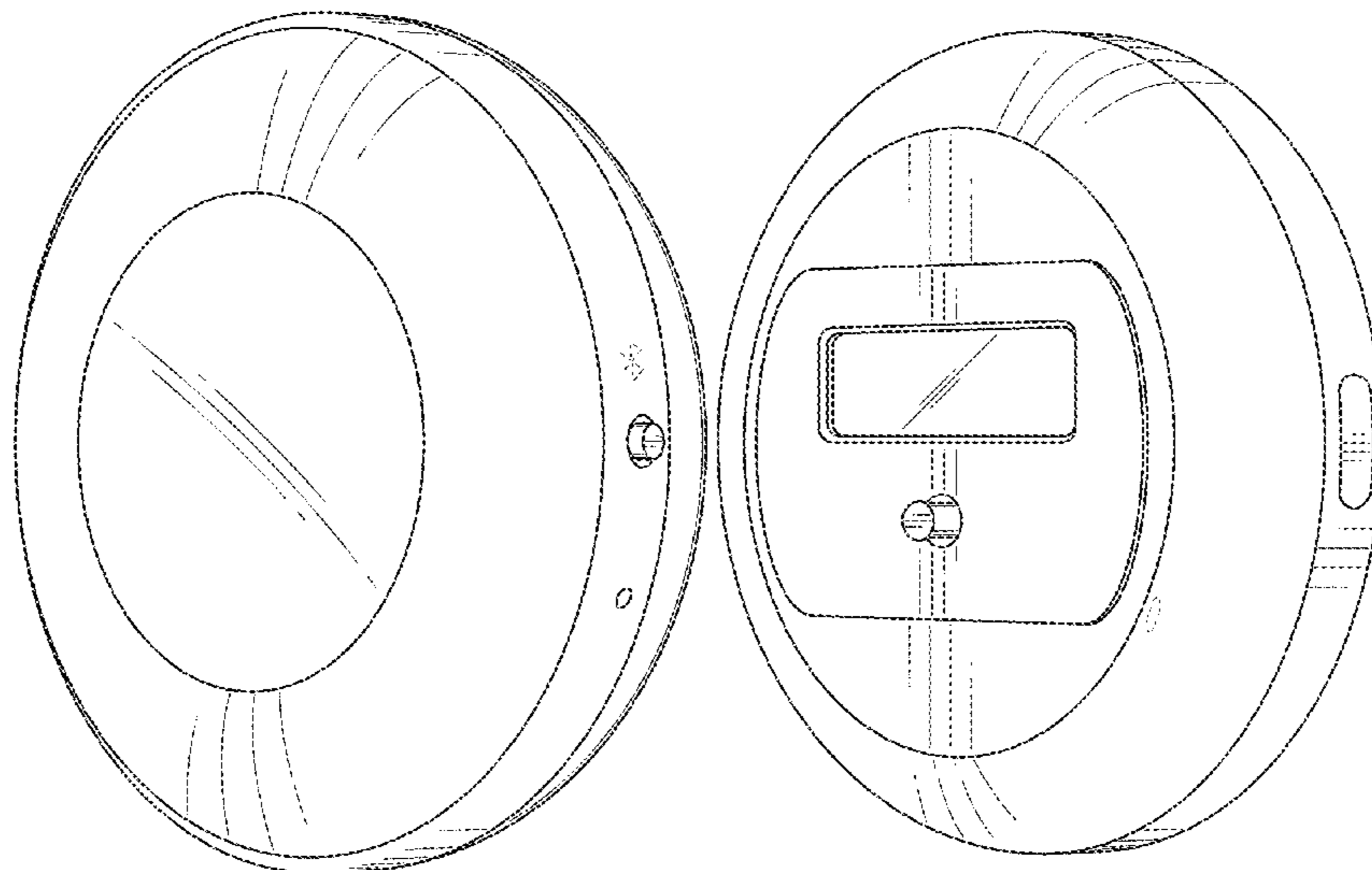
(57) **CLAIM**

The ornamental design for a vehicle equipment, as shown and described.

DESCRIPTION

FIG. 1 is a front view of the vehicle equipment; FIG. 2 is a rear view thereof; FIG. 3 is a left-side view thereof; FIG. 4 is a right-side view thereof; FIG. 5 is a top view thereof; FIG. 6 is a bottom view thereof; FIG. 7 is a front-right perspective view thereof; and, FIG. 8 is a rear-left perspective view thereof. The broken lines in FIGS. 1-8 illustrate portions of the vehicle equipment that form no part of the claimed design. Any shading and cross-hatching shown in the drawings are not features of the design but are utilized to illustrate the surface contours of the vehicle equipment.

1 Claim, 8 Drawing Sheets



(56)

References Cited

U.S. PATENT DOCUMENTS

D518,017	S	*	3/2006	Lavoie	D14/509
D522,995	S	*	6/2006	Iijima	D14/509
D532,403	S	*	11/2006	Lee	D14/509
D535,639	S	*	1/2007	Zeitman	D14/509
D535,640	S	*	1/2007	Zeitman	D14/509
D540,295	S	*	4/2007	Zeitman	D14/509
D780,727	S	*	3/2017	Wang	D14/240
D785,527	S	*	5/2017	Nathan	D12/193
D786,723	S	*	5/2017	Christie	D10/96
D786,724	S	*	5/2017	Seagle, Jr.	D10/106.1
D803,944	S	*	11/2017	Kitsugi	D21/329
D813,770	S	*	3/2018	Einakian	D12/192
D820,238	S	*	6/2018	Boshernitzan	D14/218
D820,318	S	*	6/2018	Mullins	D14/496
D829,242	S	*	9/2018	Laine	D14/496
D833,893	S	*	11/2018	McKinnon	D10/50
D875,786	S	*	2/2020	Fang	D14/509
D883,249	S	*	5/2020	Arefti	D14/172
D889,427	S	*	7/2020	Keller	D14/198
D890,752	S	*	7/2020	Huang	D14/358

* cited by examiner

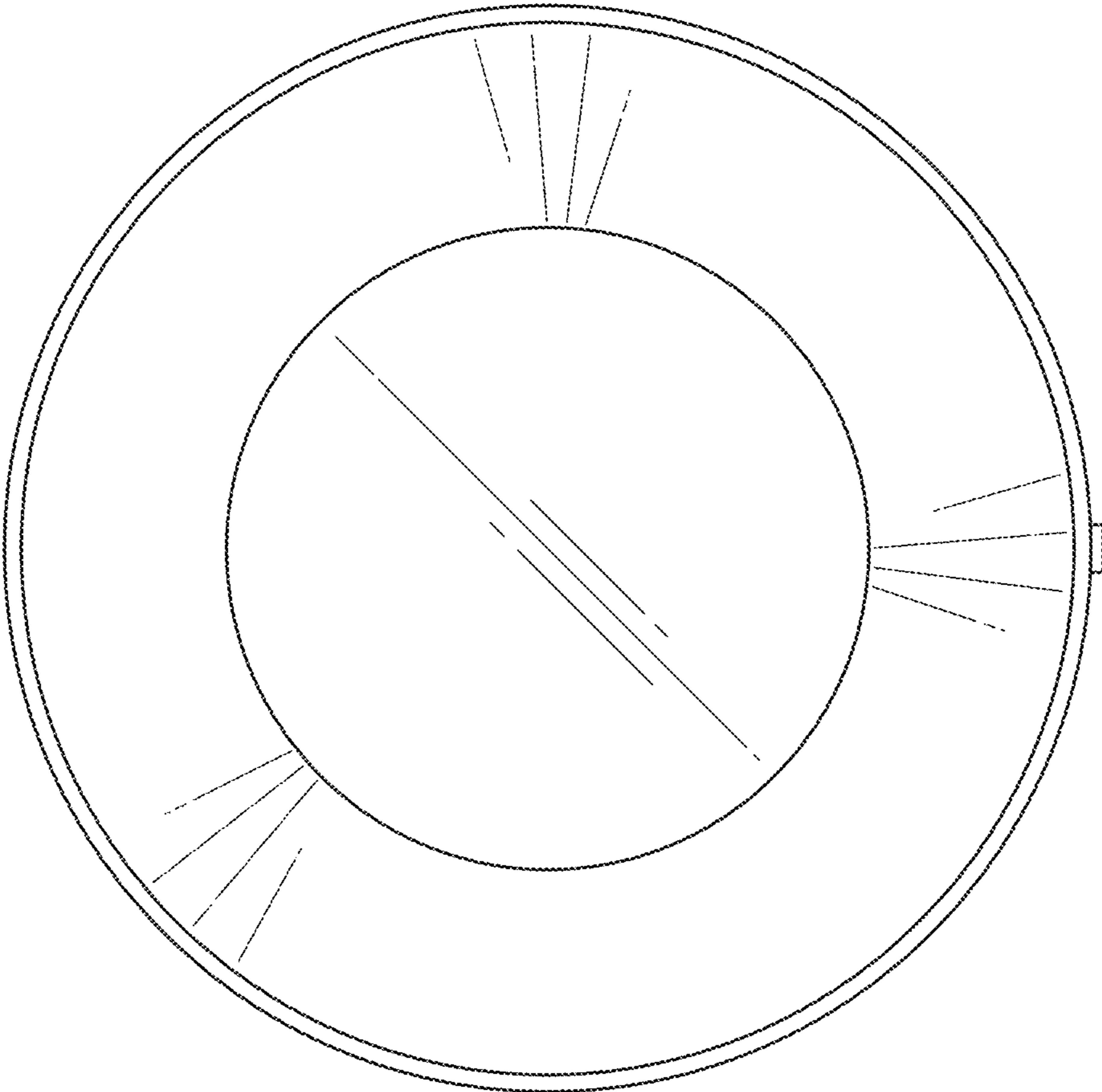


FIG. 1

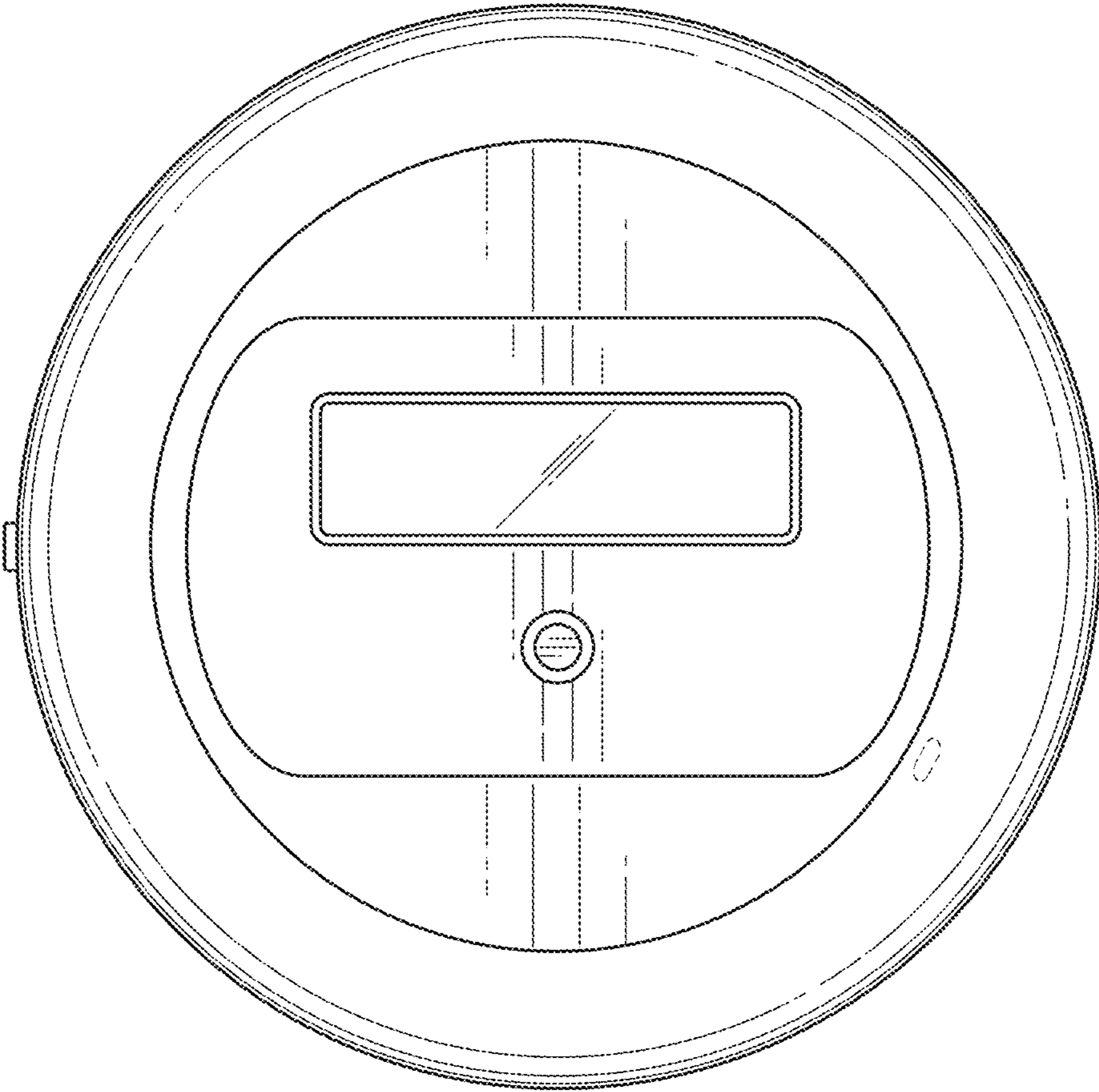


FIG. 2

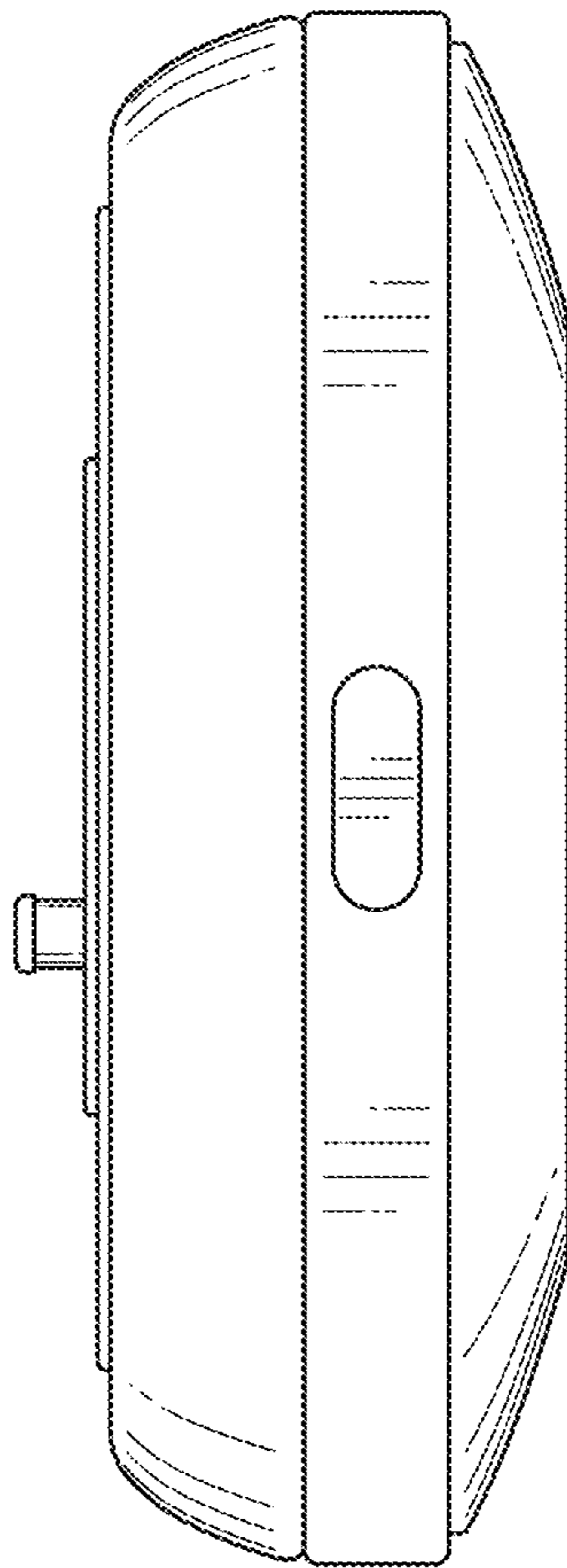


FIG. 3

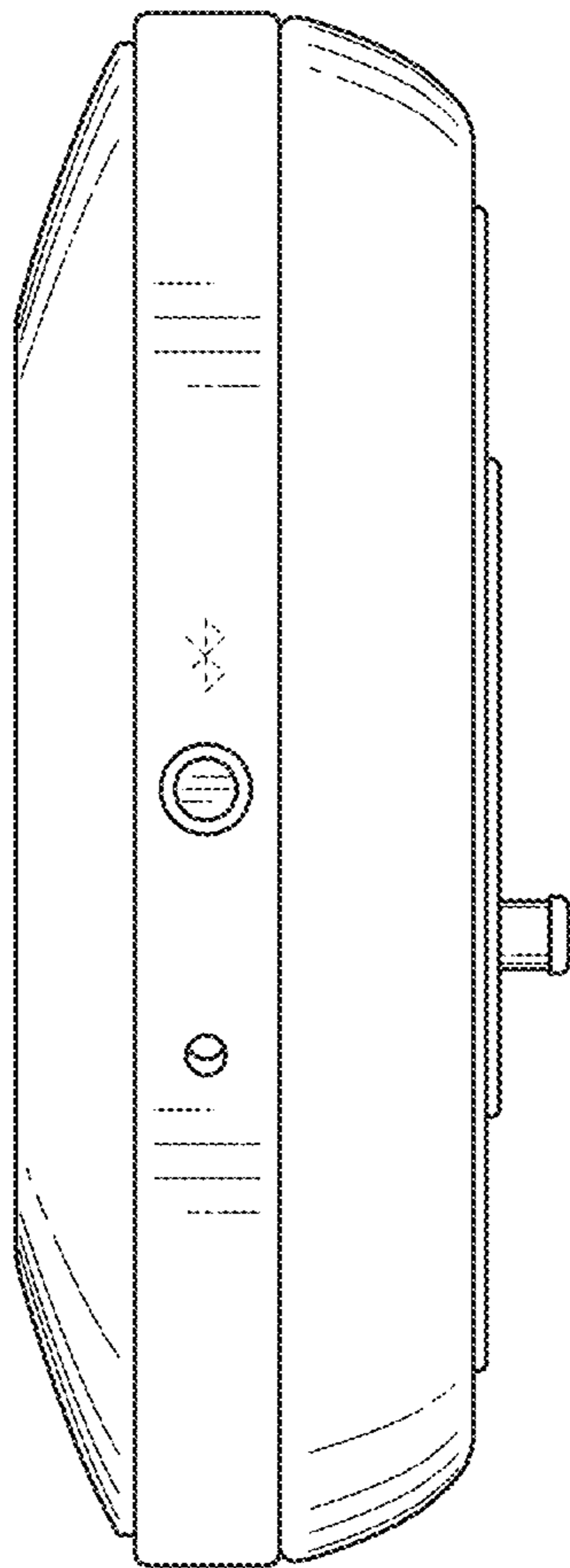


FIG. 4

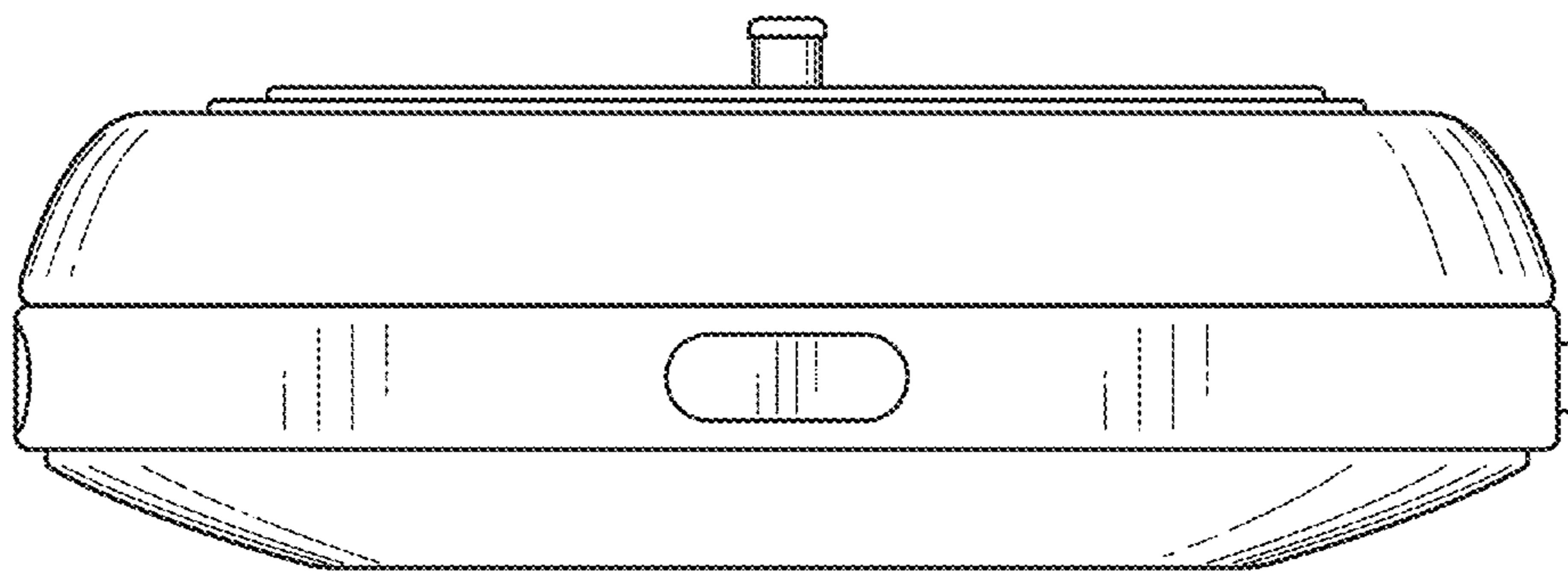


FIG. 5

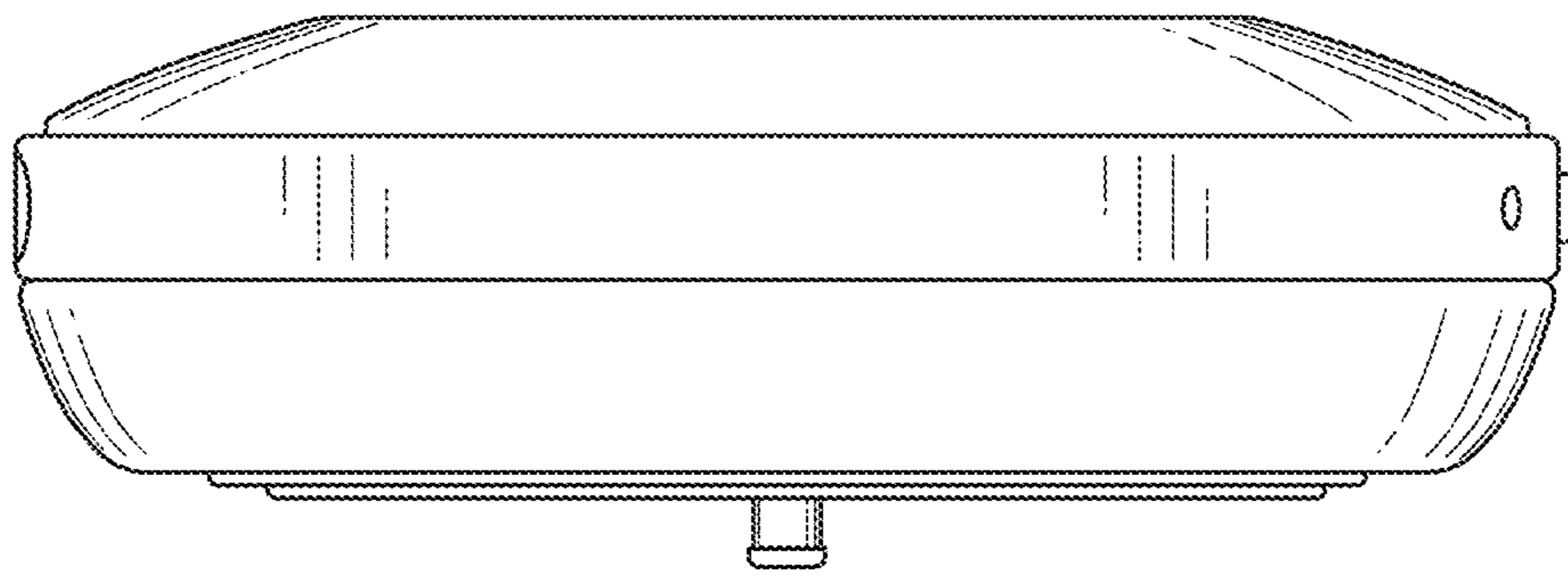


FIG. 6

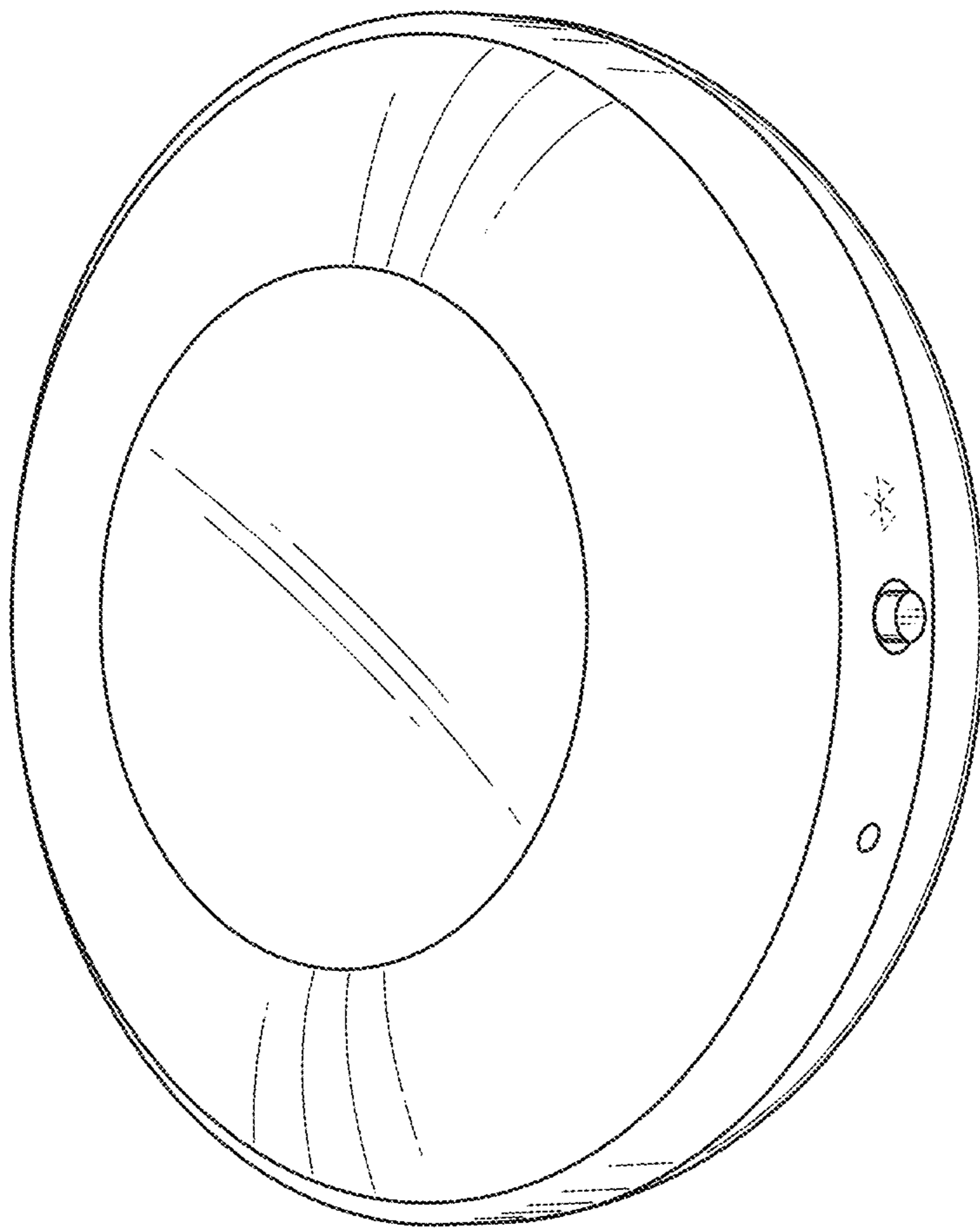


FIG. 7

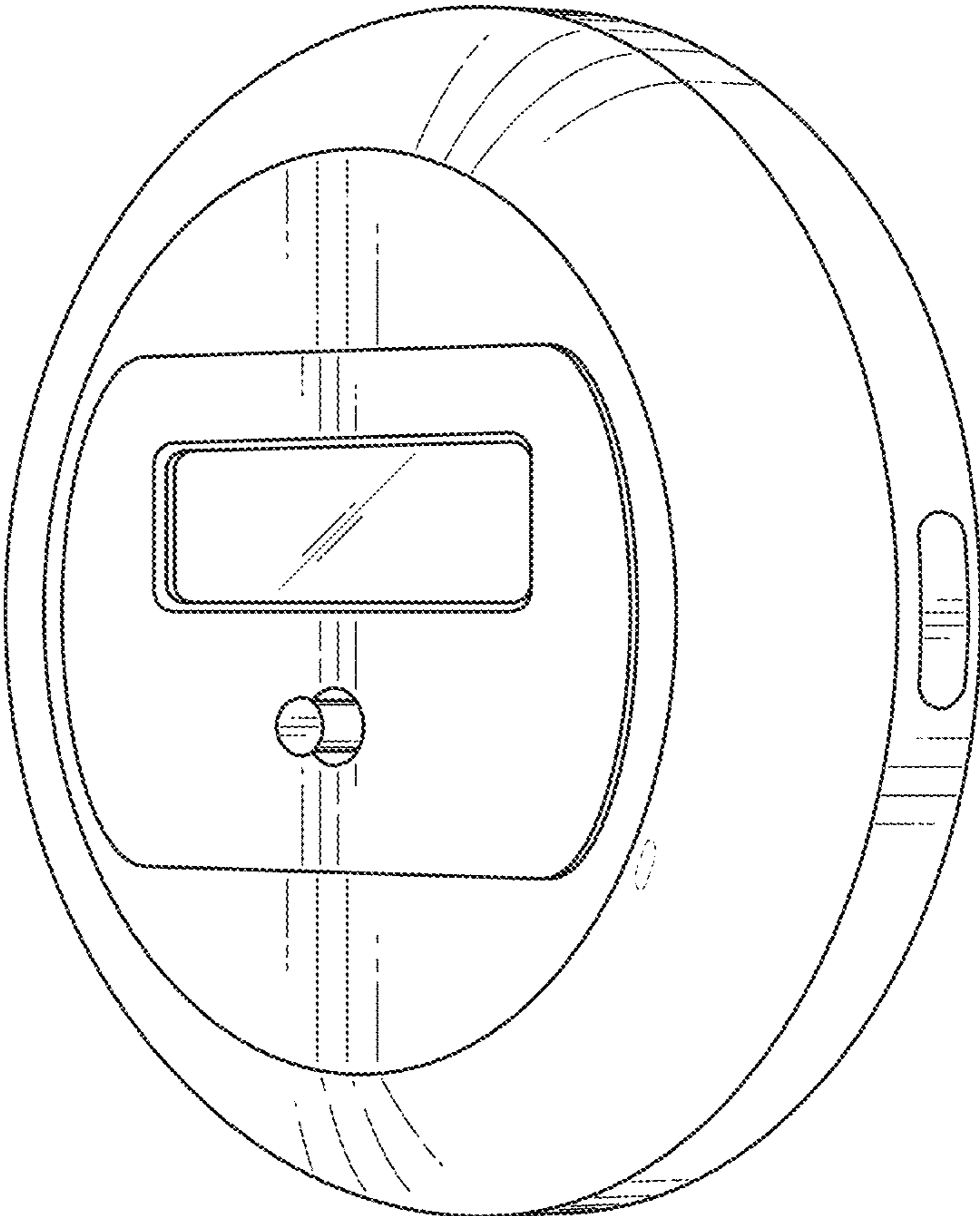


FIG. 8