



US00D904950S

(12) **United States Design Patent** (10) **Patent No.:** **US D904,950 S**  
**Al Attar** (45) **Date of Patent:** **\*\* Dec. 15, 2020**

(54) **FRONT FENDER FOR A VEHICLE**  
(71) Applicant: **Bayerische Motoren Werke Aktiengesellschaft, Munich (DE)**  
(72) Inventor: **Hussein Al Attar, Munich (DE)**  
(73) Assignee: **Bayerische Motoren Werke Aktiengesellschaft, Munich (DE)**

(\*\*) Term: **15 Years**  
(21) Appl. No.: **29/694,271**

(22) Filed: **Jun. 10, 2019**

(30) **Foreign Application Priority Data**

Dec. 17, 2018 (DE) ..... 40 2018 101 274

(51) **LOC (12) Cl.** ..... **12-16**

(52) **U.S. Cl.**  
USPC ..... **D12/184**

(58) **Field of Classification Search**  
USPC ..... D12/164, 169, 170, 171, 172, 173, 181, D12/184, 185, 186, 190, 192, 196, 400  
CPC ..... B62D 25/16; B62D 25/18; B62D 25/161; B62D 25/168; B62D 25/182; B60R 19/00  
See application file for complete search history.

(56) **References Cited**

**U.S. PATENT DOCUMENTS**

D562,747 S \* 2/2008 Golden ..... D12/184  
D607,797 S \* 1/2010 Walter ..... D12/184  
D609,150 S \* 2/2010 Krugger ..... D12/184

D665,319 S \* 8/2012 Huet ..... D12/184  
D709,010 S \* 7/2014 Mays ..... D12/184  
D762,151 S \* 7/2016 Luk ..... D12/184  
D817,829 S \* 5/2018 Behmer ..... D12/184  
D828,254 S \* 9/2018 Simm ..... D12/184  
D854,988 S \* 7/2019 Krieg ..... D12/184  
D854,989 S \* 7/2019 Sarremejean ..... D12/184  
D855,522 S \* 8/2019 Thogersen ..... D12/184  
D860,084 S \* 9/2019 Kezha ..... D12/184  
D887,928 S \* 6/2020 Metros ..... D12/184

\* cited by examiner

*Primary Examiner* — Michael A. Pratt

*Assistant Examiner* — Adam C Mager

(74) *Attorney, Agent, or Firm* — Crowell & Moring LLP

(57) **CLAIM**

The ornamental design for a front fender for a vehicle, as shown and described.

**DESCRIPTION**

This application contains subject matter related to the following co-pending U.S. design patent application:

Application Ser. No. 29/694,267, filed herewith and entitled "Vehicle, Toy, and/or Replicas Thereof".

FIG. 1 is a front view of a front fender for a vehicle according to the design;

FIG. 2 is a left, front perspective view thereof;

FIG. 3 is a right, front perspective view thereof;

FIG. 4 is a left side view thereof;

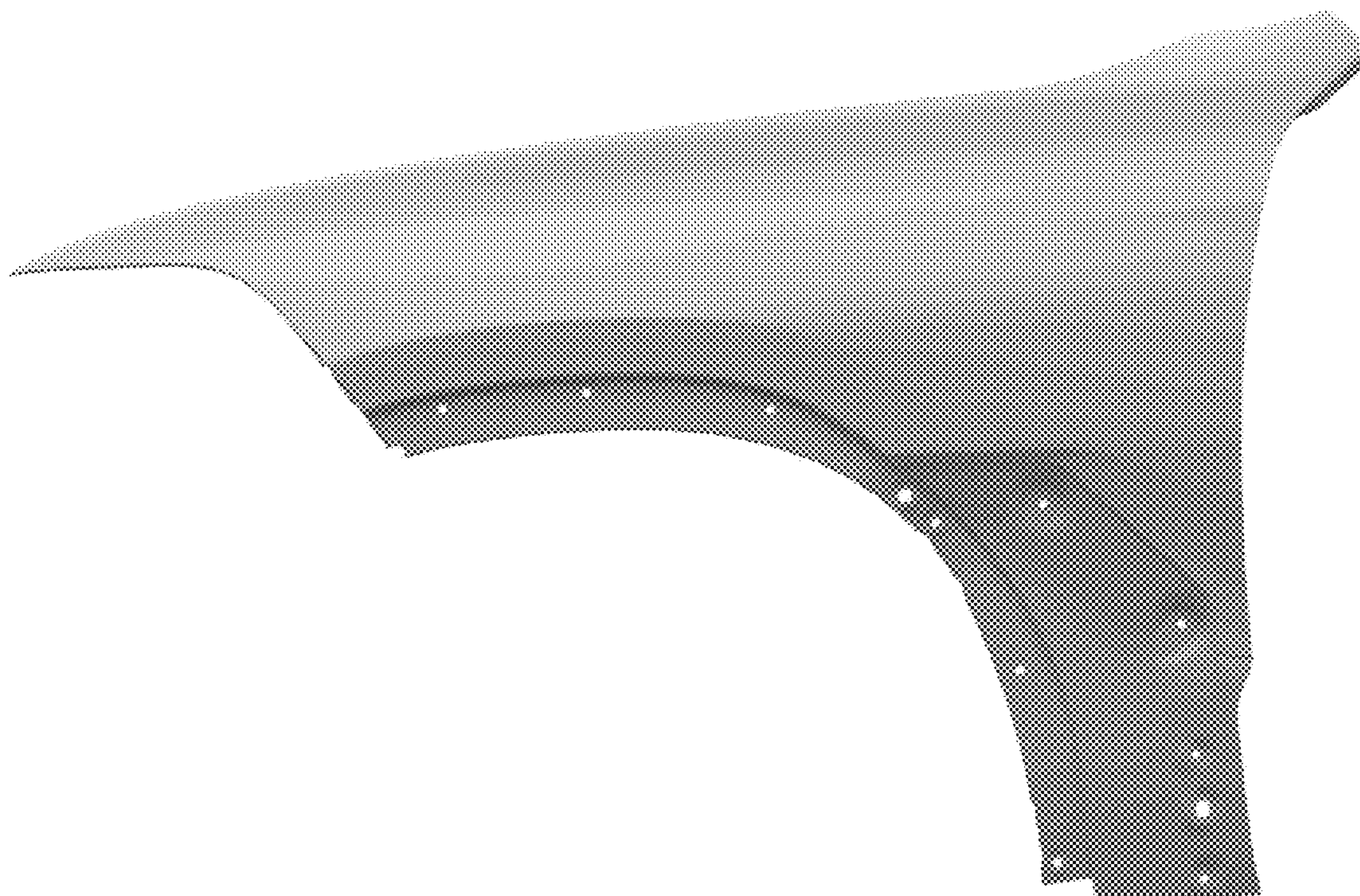
FIG. 5 is a right side view thereof;

FIG. 6 is a top view thereof;

FIG. 7 is a bottom view thereof; and,

FIG. 8 is a rear view thereof.

**1 Claim, 8 Drawing Sheets**



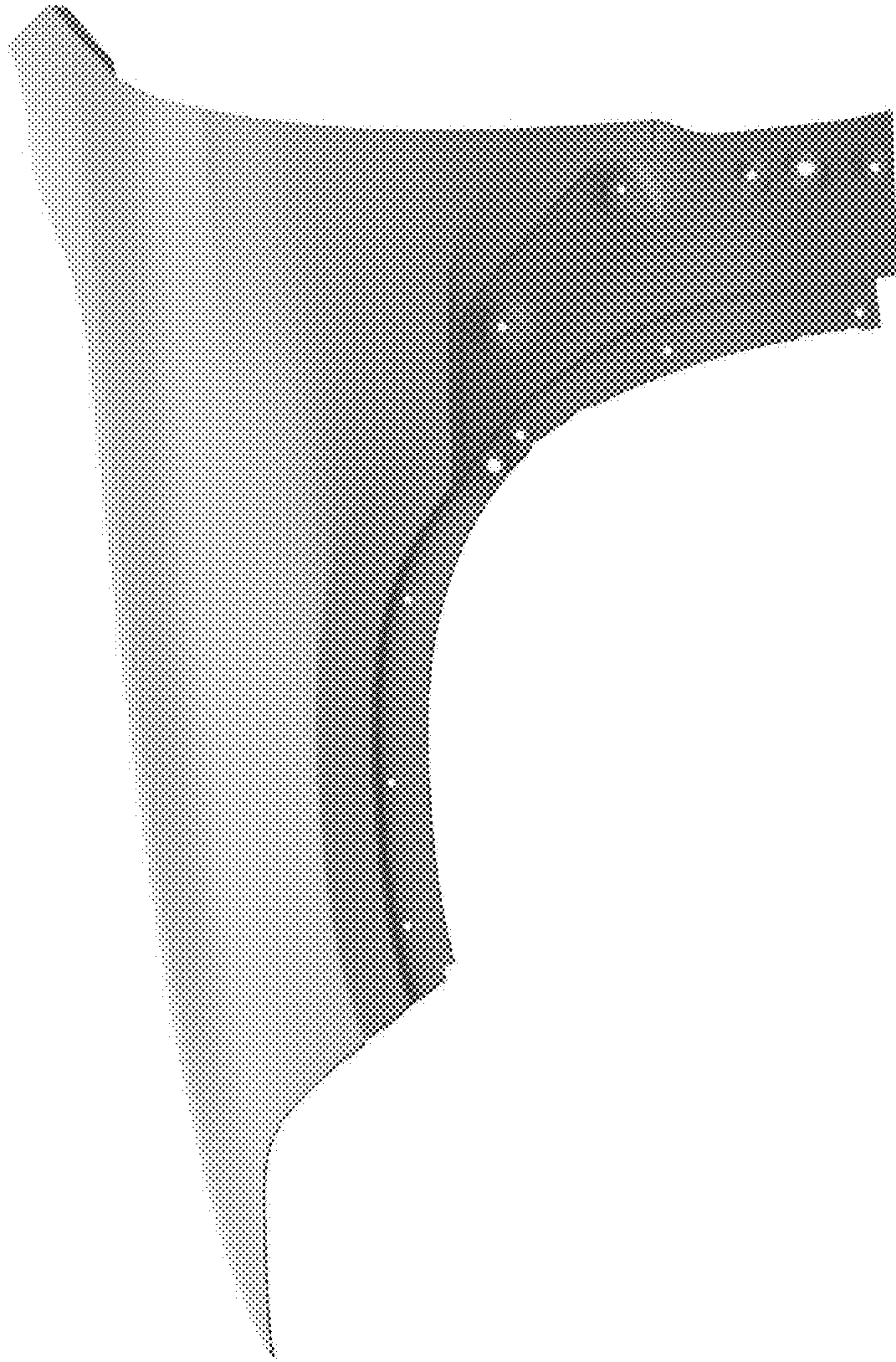


Fig. 1



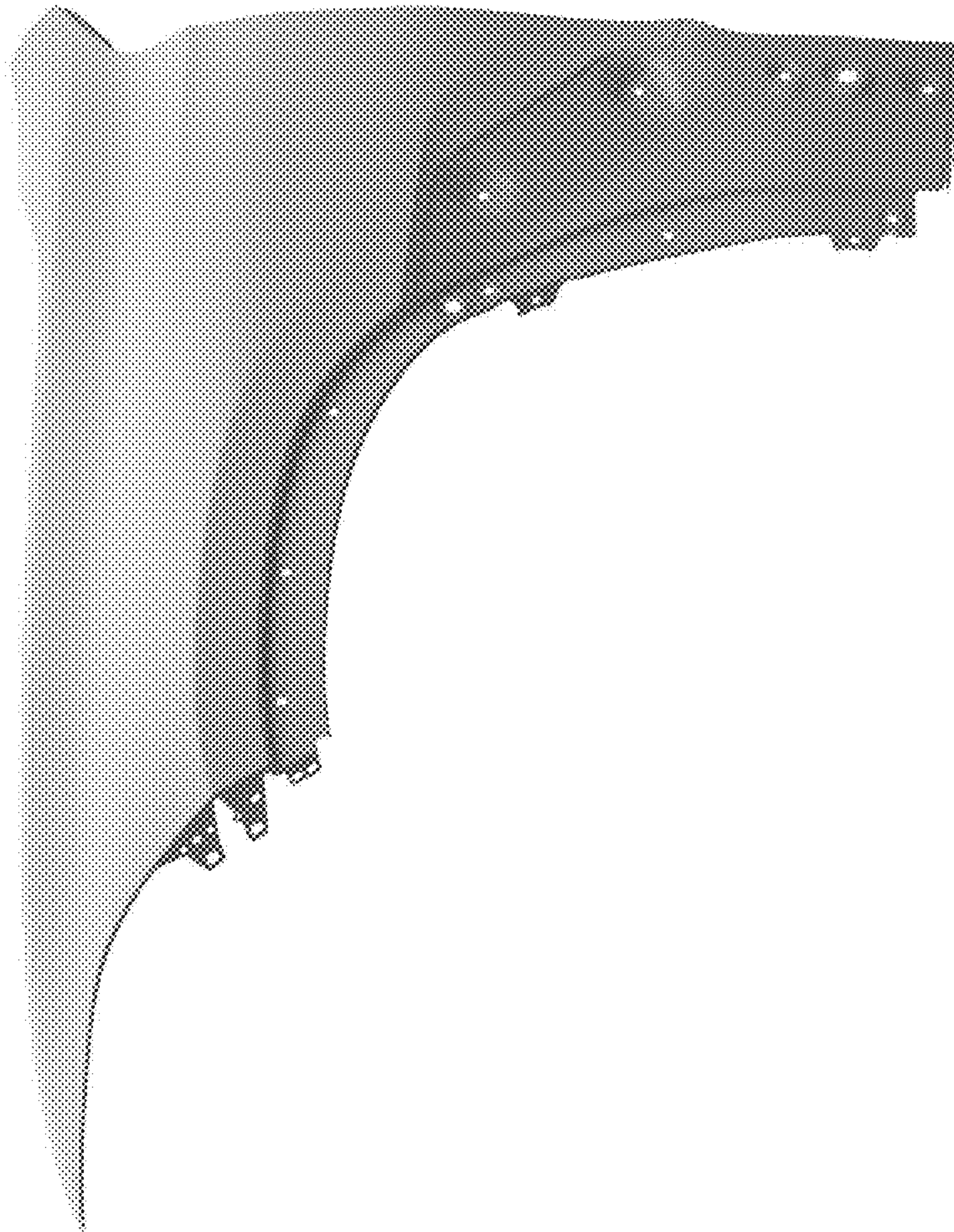


Fig. 2

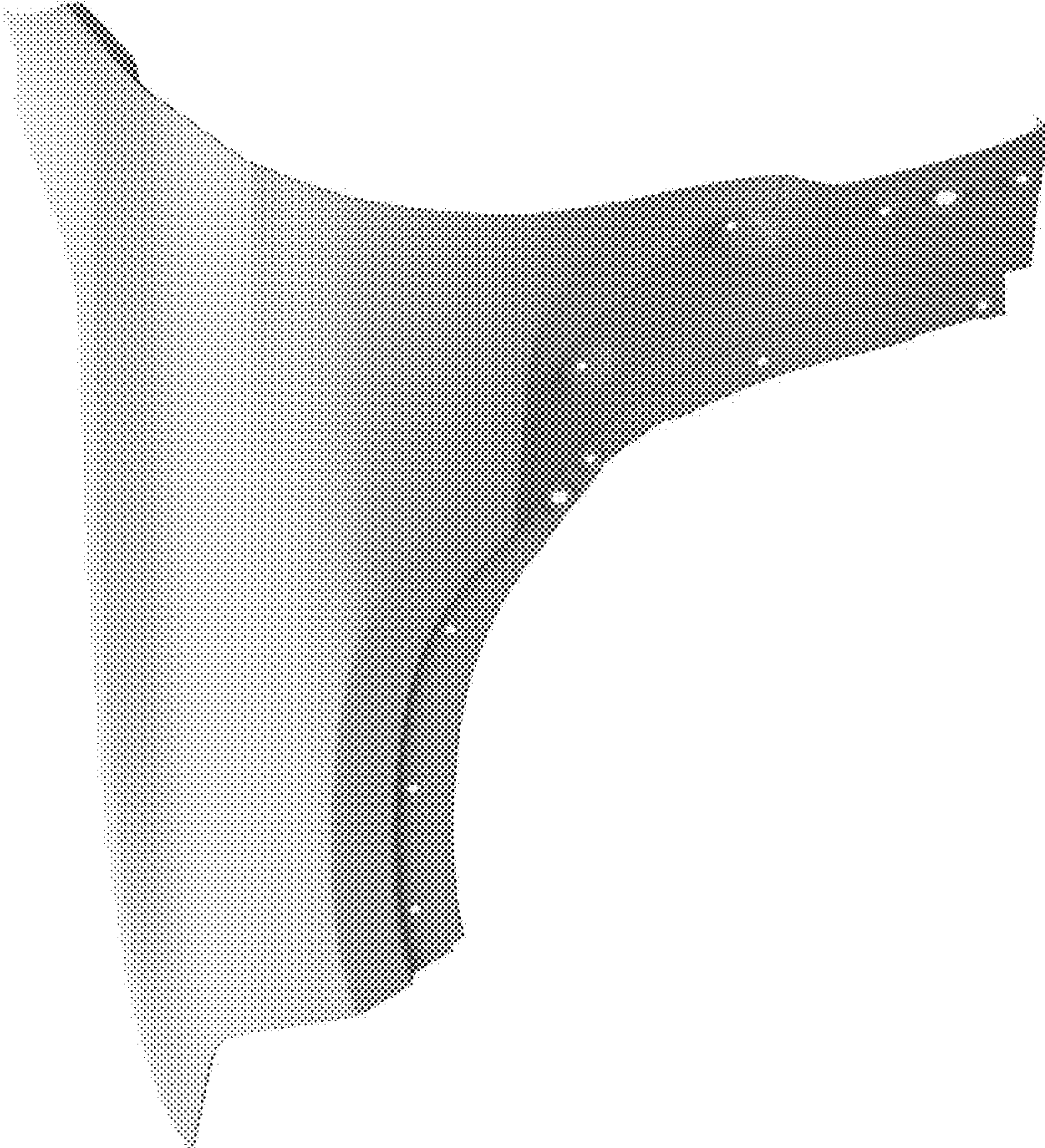


Fig. 3



Fig. 4

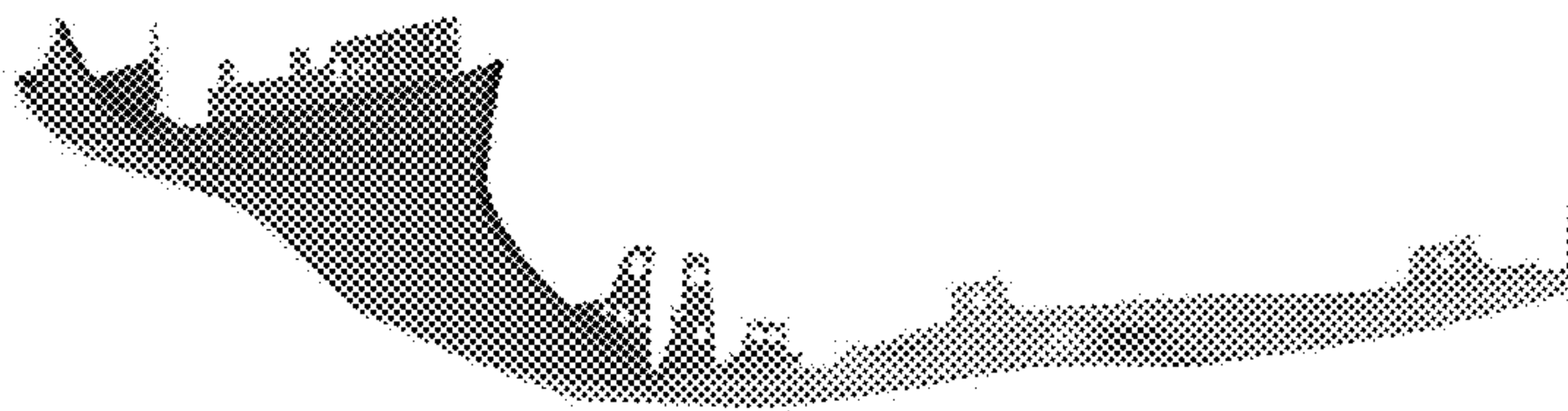


Fig. 5

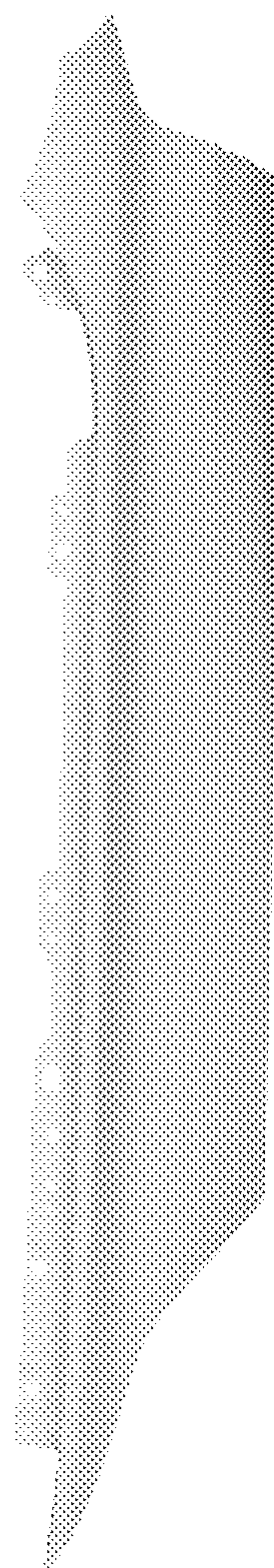


Fig. 6



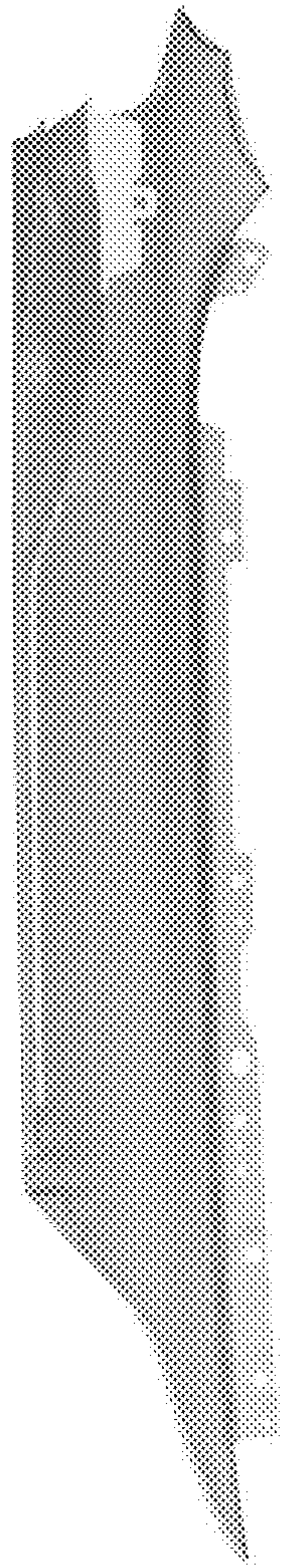


Fig. 7



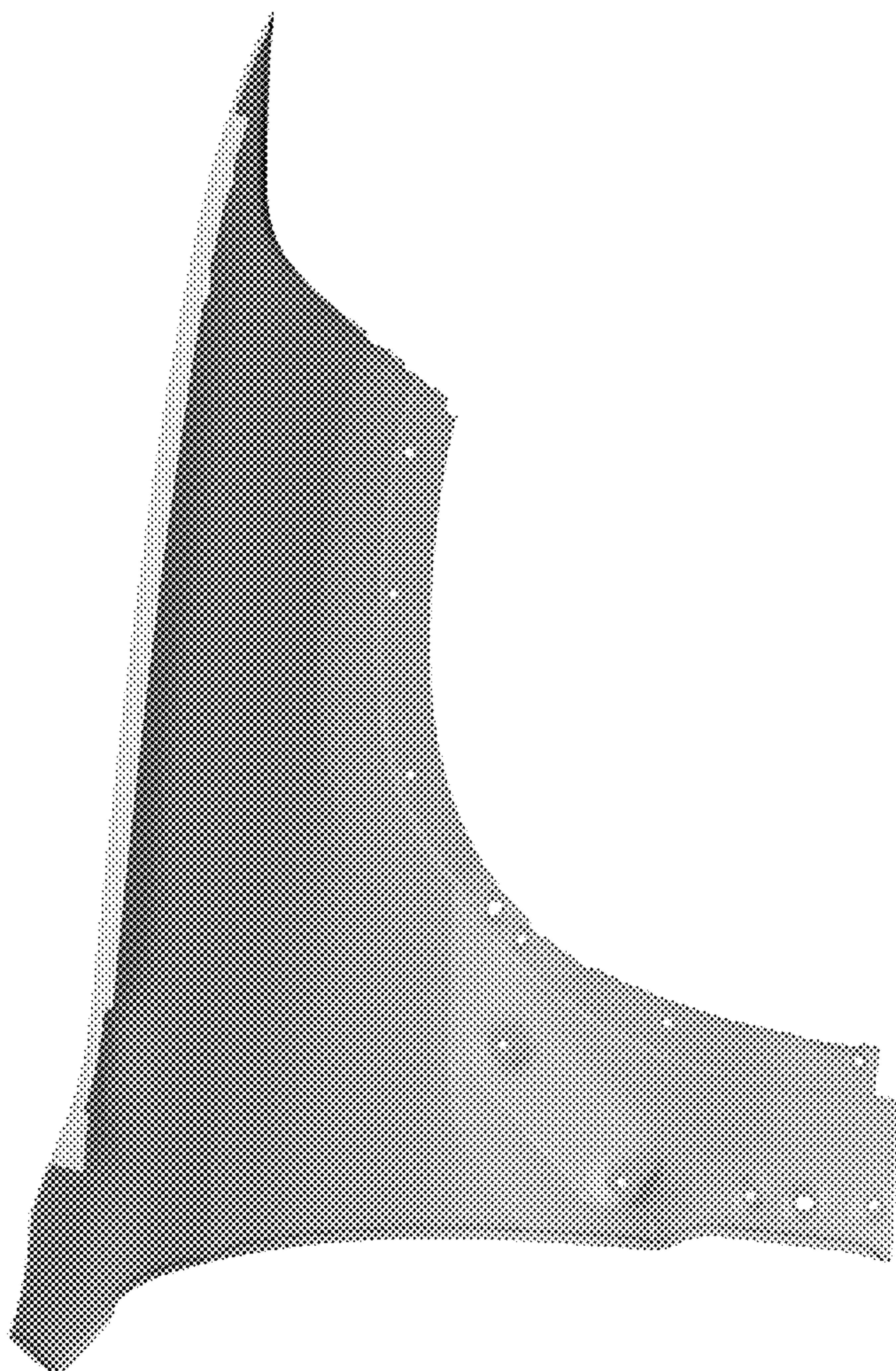


Fig. 8