



US00D904946S

(12) **United States Design Patent** (10) **Patent No.:** **US D904,946 S**
Olson (45) **Date of Patent:** **** Dec. 15, 2020**

- (54) **FRONT GRILLE GUARD FOR TRUCKS**
- (71) Applicant: **Grace Industries LLC**, Fort Wayne, IN (US)
- (72) Inventor: **Dan Olson**, Huntertown, IN (US)
- (73) Assignee: **Grace Industries, LLC**, Fort Wayne, IN (US)
- (**) Term: **15 Years**
- (21) Appl. No.: **29/667,311**
- (22) Filed: **Oct. 19, 2018**
- (51) **LOC (12) Cl.** **12-16**
- (52) **U.S. Cl.**
USPC **D12/171**
- (58) **Field of Classification Search**
USPC D12/86, 90, 91, 92, 163, 164, 169, 171,
D12/196, 216; D21/533, 538, 541, 542,
D21/548, 549, 551, 562
CPC B60R 19/02; B60R 19/18; B60R 19/24;
B60R 19/56; B60R 2019/007
See application file for complete search history.

(56) **References Cited**

U.S. PATENT DOCUMENTS

D333,457 S *	2/1993	La Foe	D12/171
D361,316 S *	8/1995	Orth, Sr.	D12/171
D383,719 S *	9/1997	Thorne	D12/171
D384,625 S *	10/1997	Thorne	D12/171
D388,042 S *	12/1997	Thorne	D12/171
D396,678 S *	8/1998	Shklyaver	D12/171
D410,879 S *	6/1999	Orth, Sr.	D12/171
D416,219 S *	11/1999	Waagenaar	D12/171
D420,962 S *	2/2000	Chevalier	D12/171
D422,952 S *	4/2000	Waagenaar	D12/171
D422,953 S *	4/2000	Waagenaar	D12/171
D425,462 S *	5/2000	Ujii	D12/171
D440,530 S *	4/2001	Geisler	D12/171

D483,708 S *	12/2003	Roehmer	D12/171
D507,999 S *	8/2005	Potak	D12/171
D517,963 S *	3/2006	Potak	D12/171
D523,383 S *	6/2006	Fox	D12/171
D527,696 S *	9/2006	Ichikawa	D12/171
D528,481 S *	9/2006	Taveras	D12/171
D532,348 S *	11/2006	Kudo	D12/171
D535,923 S *	1/2007	Katoh	D12/171
D551,138 S *	9/2007	Storer	D12/171
D572,180 S *	7/2008	Storer	D12/171
D577,319 S *	9/2008	Storer	D12/171
D580,322 S *	11/2008	Schroeder	D12/107
D606,913 S *	12/2009	Robertson	D12/171
D614,095 S *	4/2010	Fretz	D12/171
D614,096 S *	4/2010	Fretz	D12/171
D618,600 S *	6/2010	Lorenzo	D12/171
D619,060 S *	7/2010	Lorenzo	D12/171
D619,061 S *	7/2010	Lorenzo	D12/171
D626,474 S *	11/2010	Lorenzo	D12/171

(Continued)

Primary Examiner — Darlington Ly

(74) *Attorney, Agent, or Firm* — Dinsmore & Shohl LLP

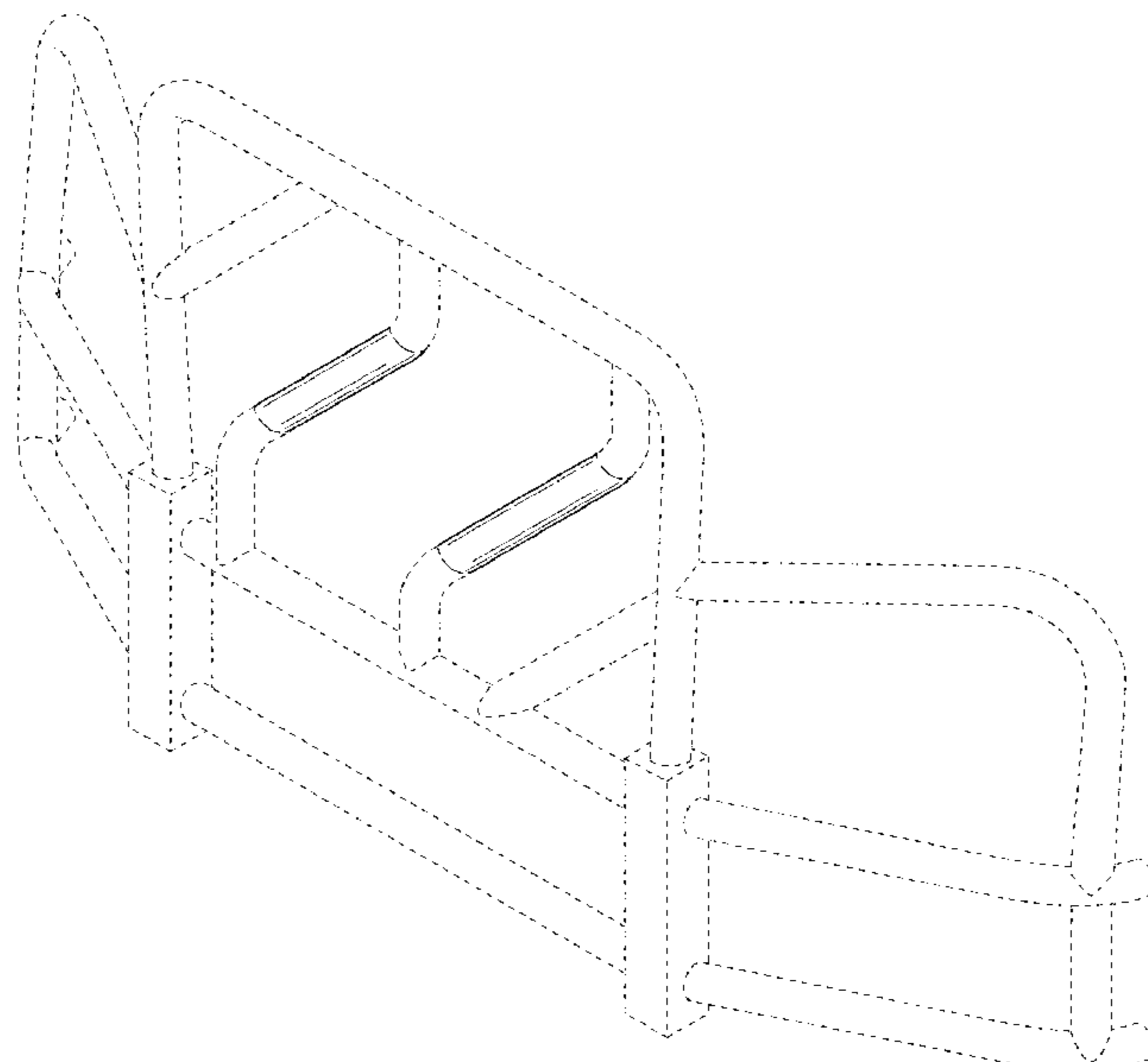
(57) **CLAIM**

The ornamental design for a front grille guard for trucks, as shown and described.

DESCRIPTION

FIG. 1 is a front perspective view of a front grille guard for trucks showing my new design;
 FIG. 2 is a rear perspective view thereof;
 FIG. 3 is a front elevation view thereof;
 FIG. 4 is a rear elevation view thereof;
 FIG. 5 is a right side elevation view thereof;
 FIG. 6 is a left side elevation view thereof;
 FIG. 7 is a top plan view thereof; and,
 FIG. 8 is a bottom plan view thereof.
 The broken lines represent portions of the structure that form no part of the claim. The dot-dashed lines represent boundary lines that form no part of the claim.

1 Claim, 7 Drawing Sheets



(56)

References Cited

U.S. PATENT DOCUMENTS

D636,305 S *	4/2011	Alvarez	D12/171
D640,618 S *	6/2011	Lorenzo	B60R 19/44
			D12/171
D689,417 S *	9/2013	Shelters	D12/171
D724,505 S *	3/2015	Schroeder	D12/171
D726,605 S *	4/2015	Schroeder	D12/171
D743,856 S *	11/2015	Ma	D12/171
D755,094 S *	5/2016	Lanini	D12/171
D777,618 S *	1/2017	Setina	D12/171

* cited by examiner

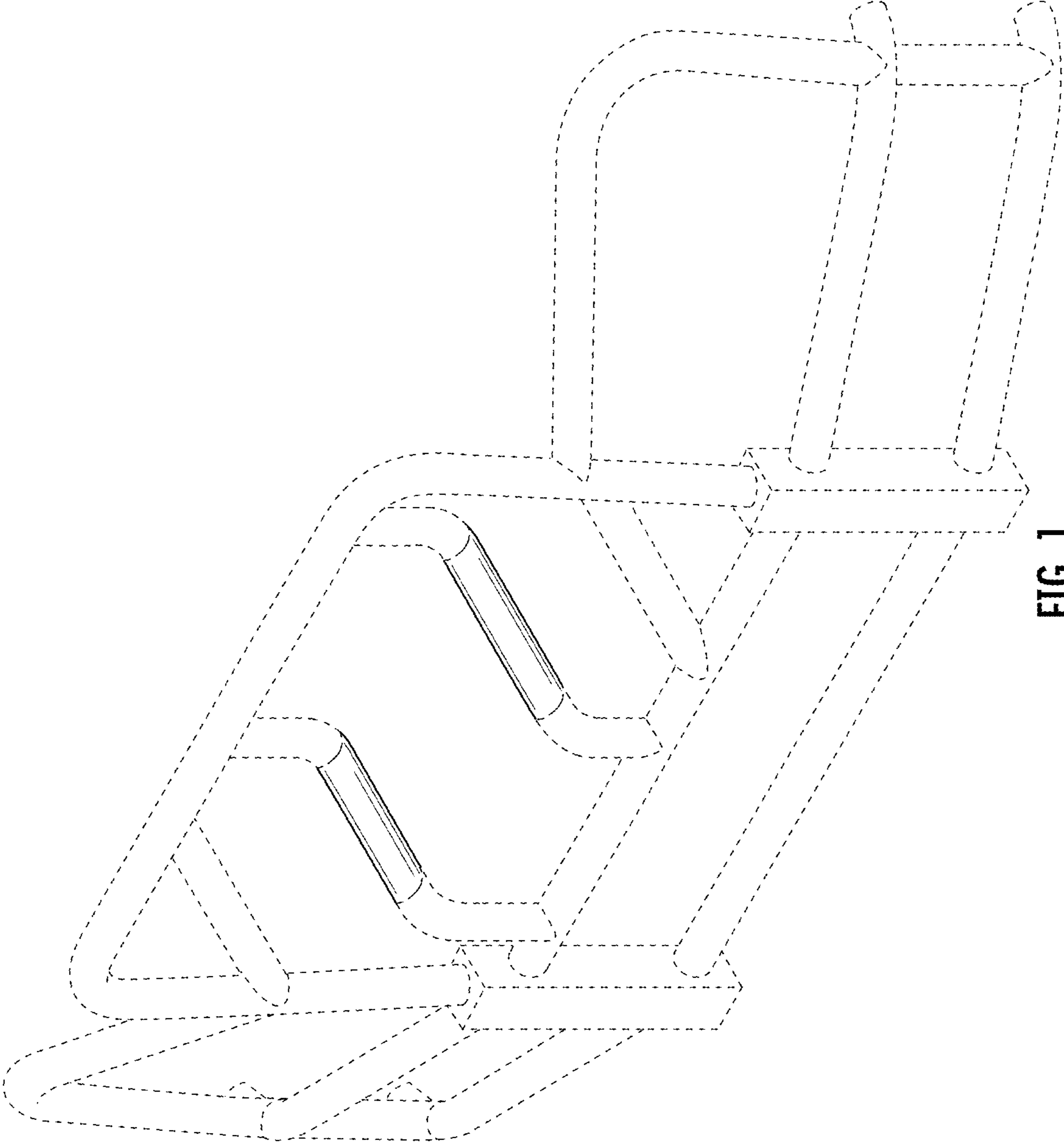


FIG. 1

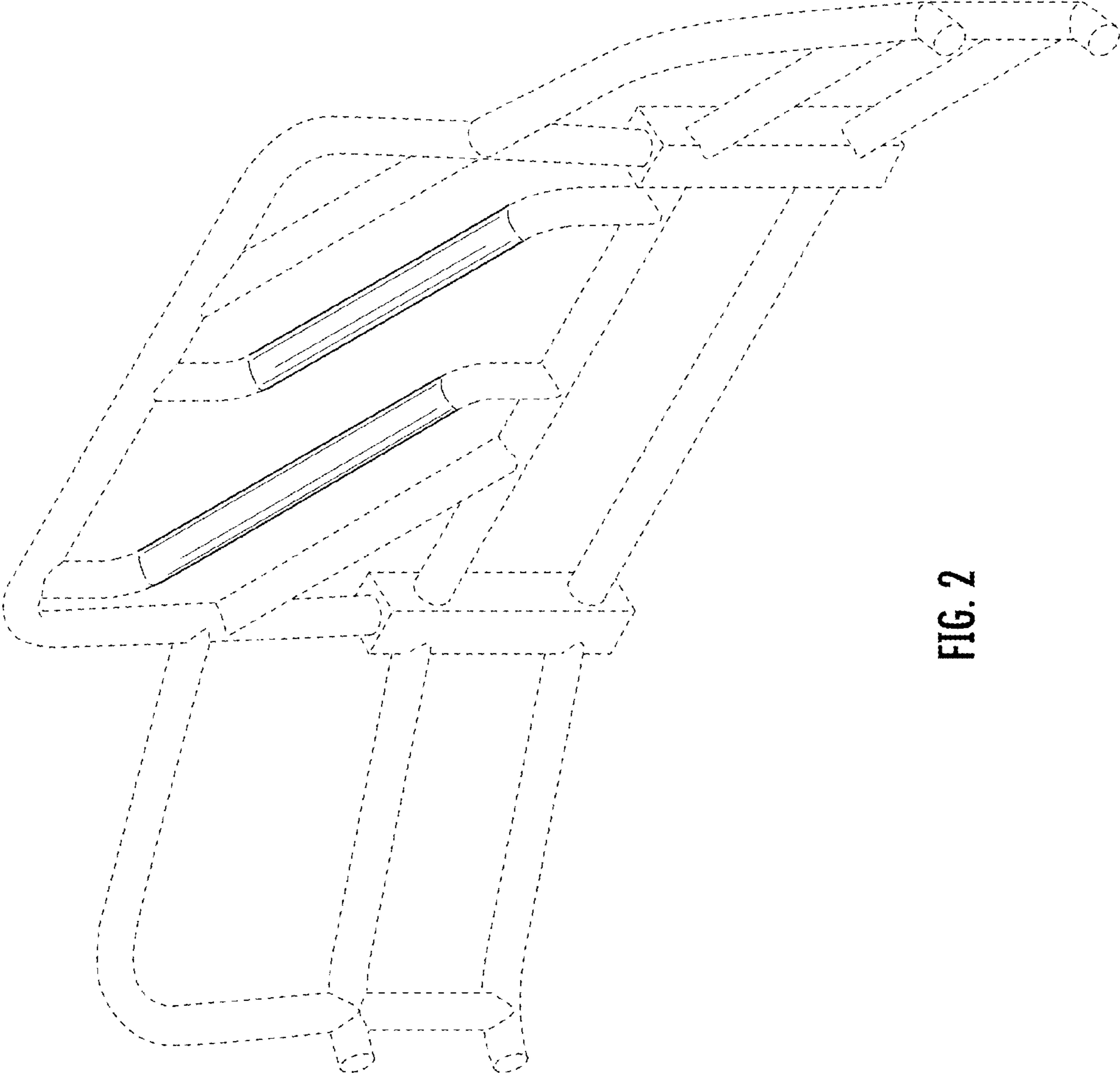


FIG. 2

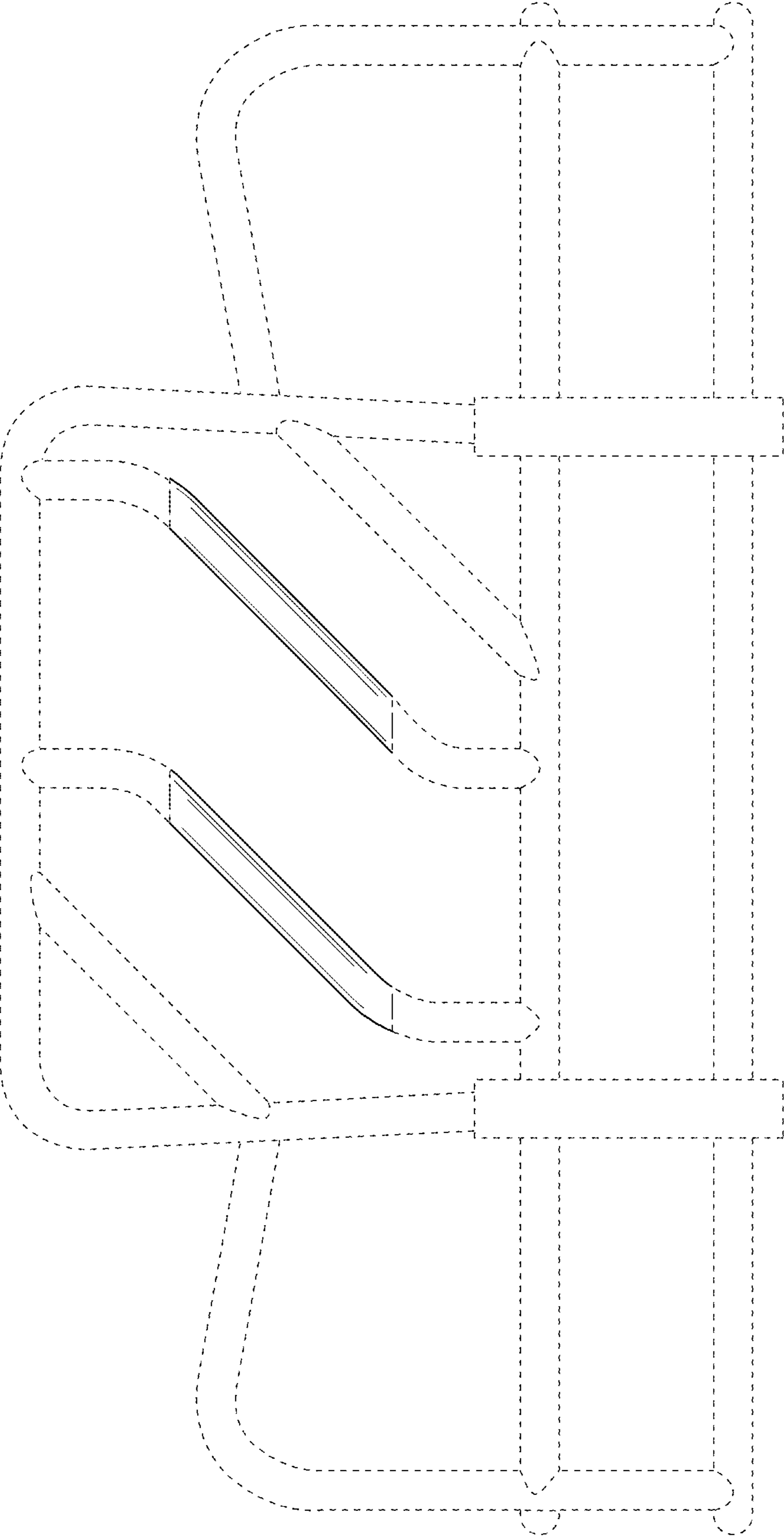


FIG. 3

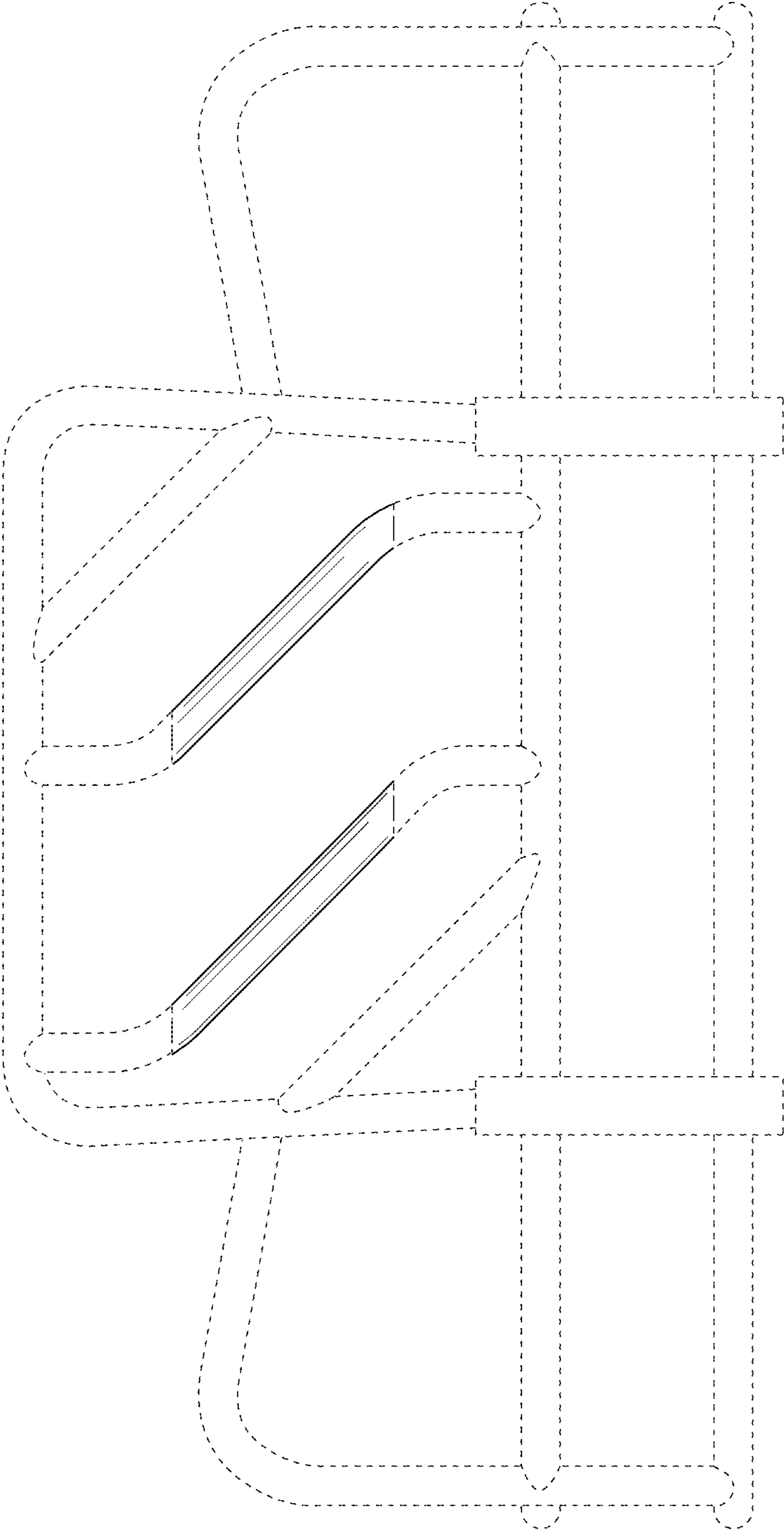


FIG. 4

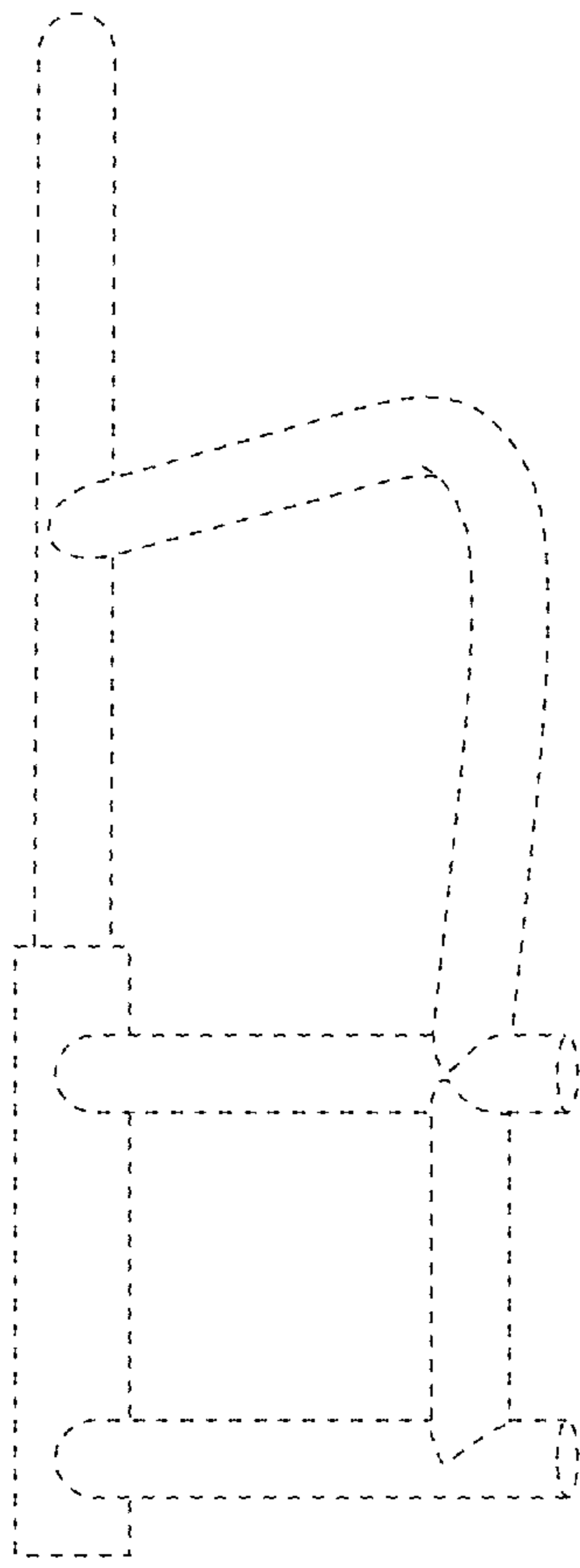


FIG. 5

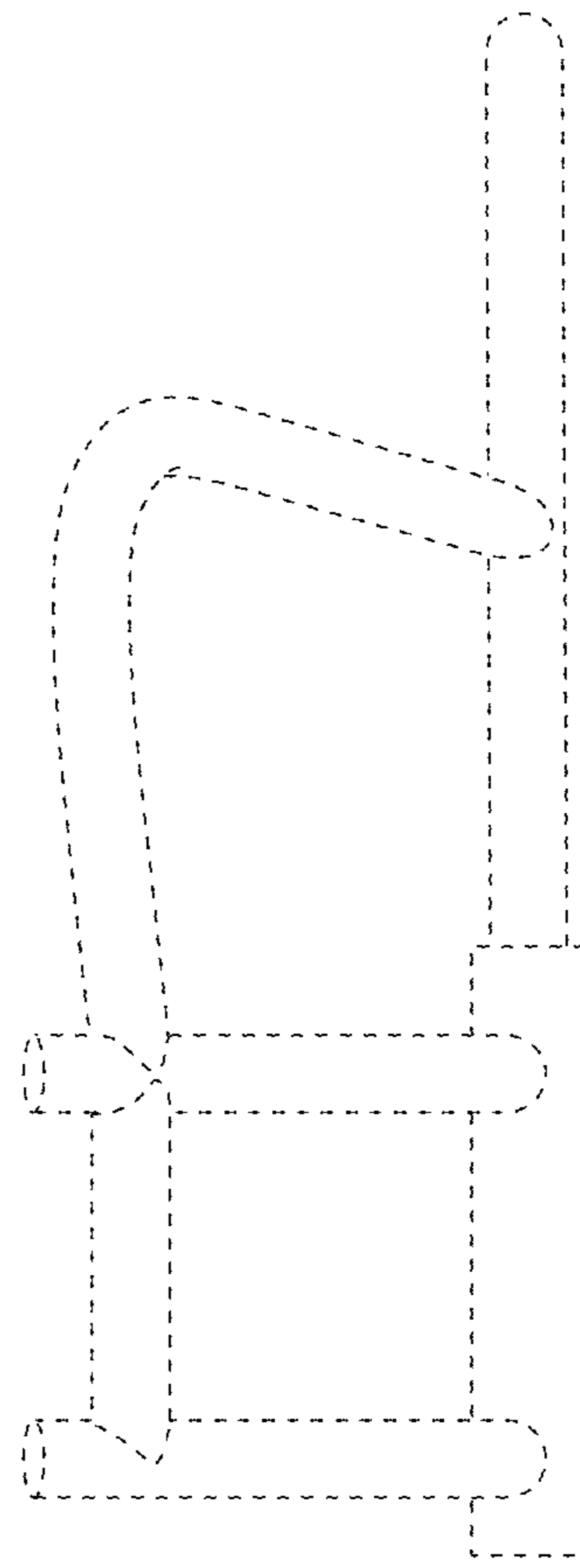


FIG. 6

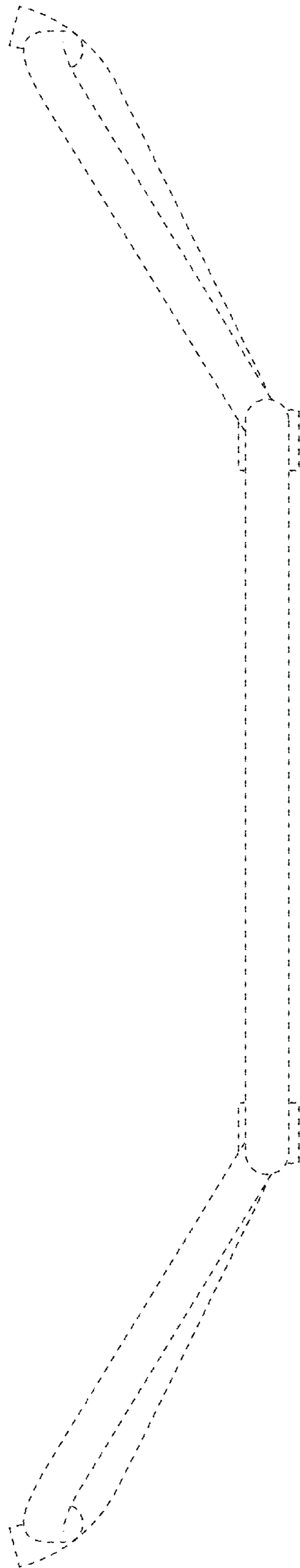


FIG. 7

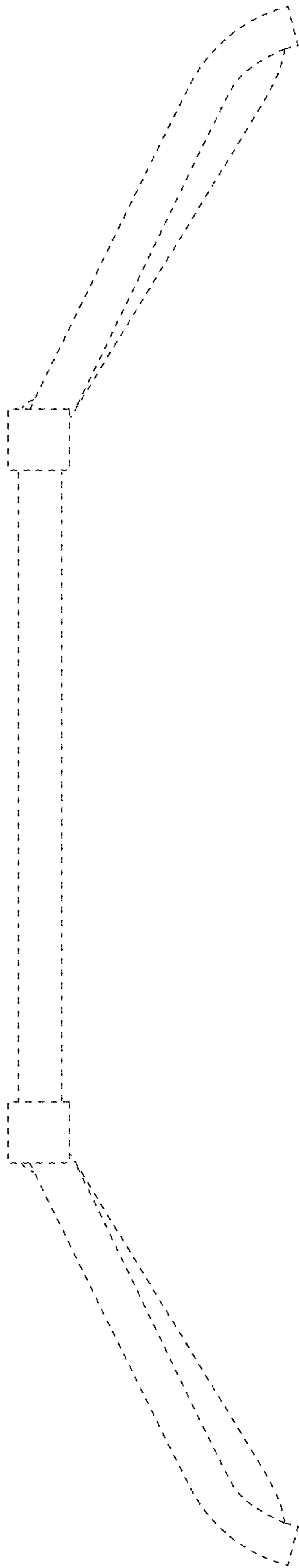


FIG. 8