



US00D904941S

(12) **United States Design Patent** (10) **Patent No.:** **US D904,941 S**  
**Utsunomiya** (45) **Date of Patent:** **\*\* Dec. 15, 2020**

(54) **REAR BUMPER FOR AUTOMOBILE**  
(71) Applicant: **Nissan Motor Co., Ltd.**, Kanagawa (JP)  
(72) Inventor: **Takashi Utsunomiya**, Kanagawa (JP)  
(73) Assignee: **Nissan Motor Co., Ltd.**, Yokohama (JP)  
(\*\*) Term: **15 Years**  
(21) Appl. No.: **29/696,233**  
(22) Filed: **Jun. 26, 2019**

(30) **Foreign Application Priority Data**

Dec. 27, 2018 (JP) ..... 2018-028606

(51) **LOC (12) Cl.** ..... **12-16**

(52) **U.S. Cl.**  
USPC ..... **D12/169**

(58) **Field of Classification Search**  
USPC ..... D12/169, 196, 86, 90-92, 163, 190, 98,  
D12/164; 293/102, 113, 115, 117, 120,  
293/193.11; 296/180.1, 180.2; 180/68.1,  
180/68.6  
CPC ..... B60R 19/52; B60K 11/08; B62D 25/08;  
B62B 9/16  
See application file for complete search history.

(56) **References Cited**

**U.S. PATENT DOCUMENTS**

D561,070 S \* 2/2008 Gresens ..... D12/169  
D561,071 S \* 2/2008 Golden ..... D12/169  
D566,017 S \* 4/2008 Pfeiffer ..... D12/169  
D585,002 S \* 1/2009 Tamura ..... D12/169  
D592,570 S \* 5/2009 Lamm ..... D12/169  
D605,568 S \* 12/2009 Ward ..... D12/169  
D609,614 S \* 2/2010 Okue ..... D12/169

D631,407 S \* 1/2011 Kuze ..... D12/169  
D640,613 S \* 6/2011 Bauer ..... D12/169  
D644,573 S \* 9/2011 Bauer ..... D12/169  
D644,578 S \* 9/2011 Messale ..... D12/169  
D653,593 S \* 2/2012 Nishihama ..... D12/169  
D675,140 S \* 1/2013 Ohkoshi ..... D12/169  
D683,282 S \* 5/2013 Fuchigami ..... D12/169  
D683,285 S \* 5/2013 Yoshida ..... D12/169  
D769,780 S \* 10/2016 Lesnik ..... D12/164  
D819,523 S \* 6/2018 Yamamoto et al. .... D12/169  
D833,330 S \* 11/2018 Sakai ..... D12/91  
D838,638 S \* 1/2019 Wada ..... D12/169  
D854,982 S \* 7/2019 Horie ..... D12/169  
D854,983 S \* 7/2019 Katou ..... D12/169  
D864,803 S \* 10/2019 Sakai ..... D12/169

(Continued)

*Primary Examiner* — Melody N Brown

(74) *Attorney, Agent, or Firm* — Global IP Counselors, LLP

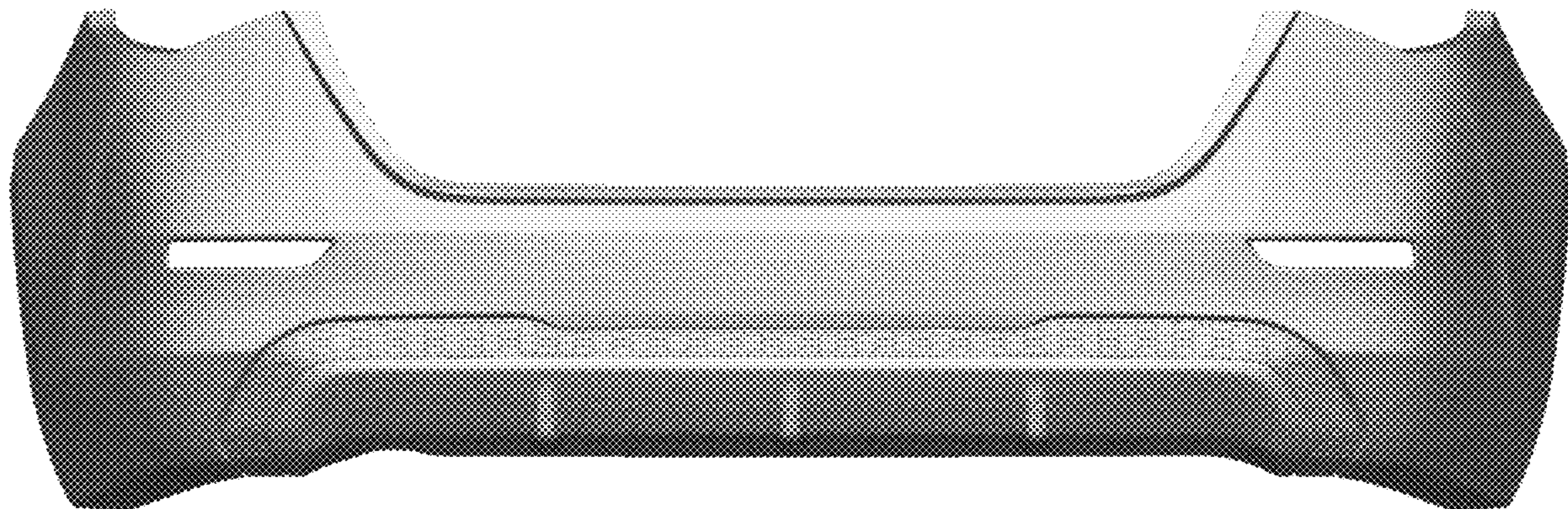
(57) **CLAIM**

The ornamental design for a rear bumper for automobile, as shown and described.

**DESCRIPTION**

FIG. 1 is a front elevational view of a rear bumper for automobile in accordance with my new design;  
FIG. 2 is a top plan view thereof;  
FIG. 3 is a bottom plan view thereof;  
FIG. 4 is a left side elevational view thereof;  
FIG. 5 is a right side elevational view thereof;  
FIG. 6 is a bottom, front and left side perspective view thereof; and,  
FIG. 7 is a top, front and right side perspective view thereof. The rear view of the rear bumper forms no part of the claimed design. The inside surfaces of the rear bumper, shown in broken lines in FIGS. 2, 3, 6 and 7, form no part of the claimed design since the inside surfaces are hidden when the rear bumper is mounted to the automobile.

**1 Claim, 7 Drawing Sheets**



(56)

**References Cited**

U.S. PATENT DOCUMENTS

D886,003 S \* 6/2020 Kusunoki et al. .... D12/169  
D887,914 S \* 6/2020 Utsunomiya .... D12/169

\* cited by examiner



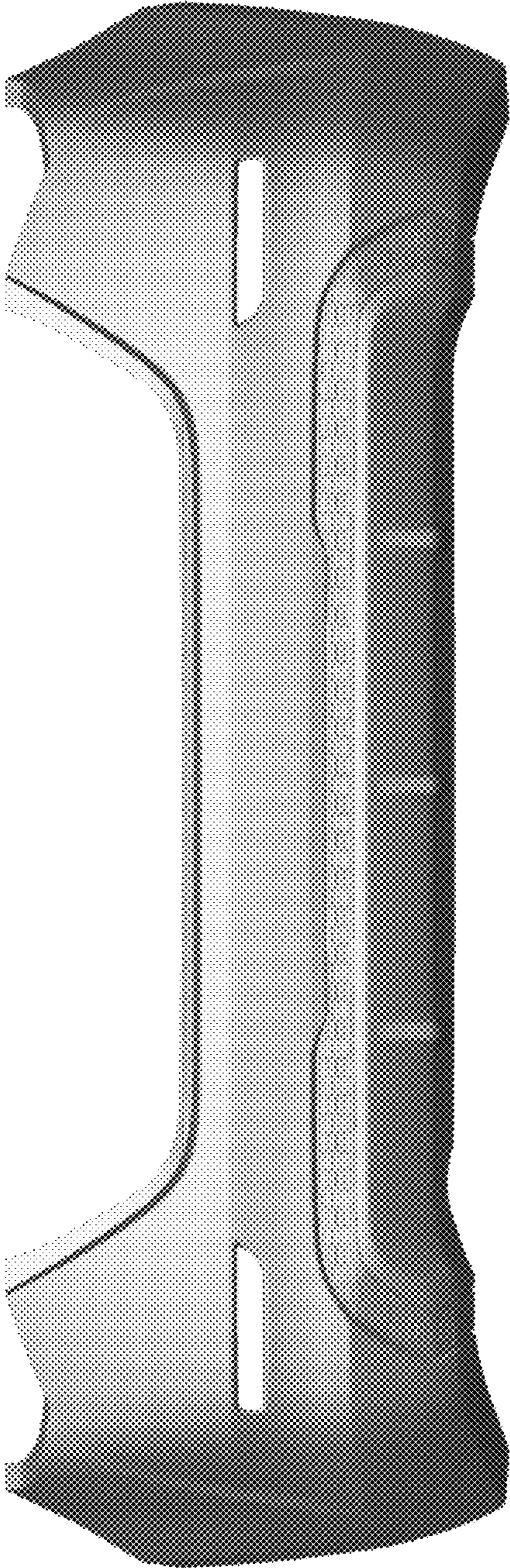


FIG. 1

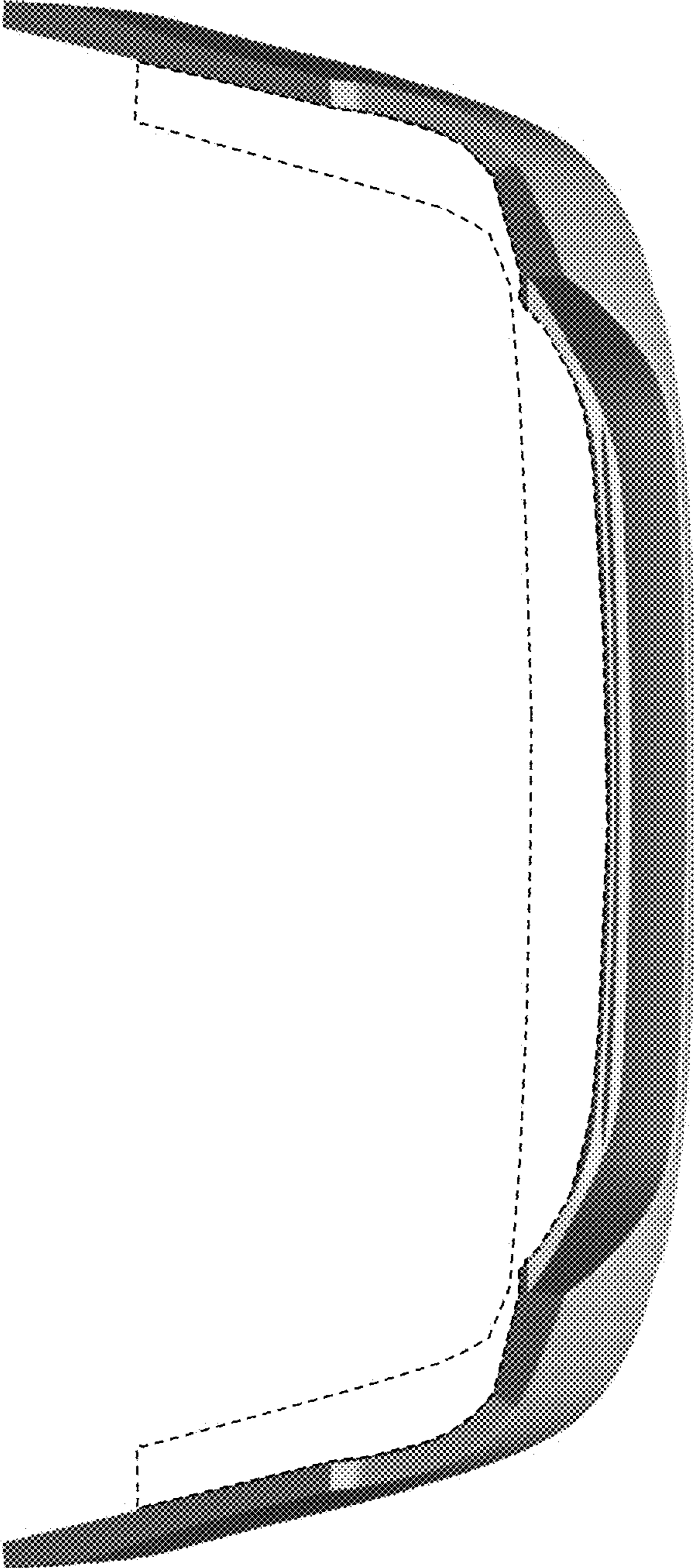


FIG. 2



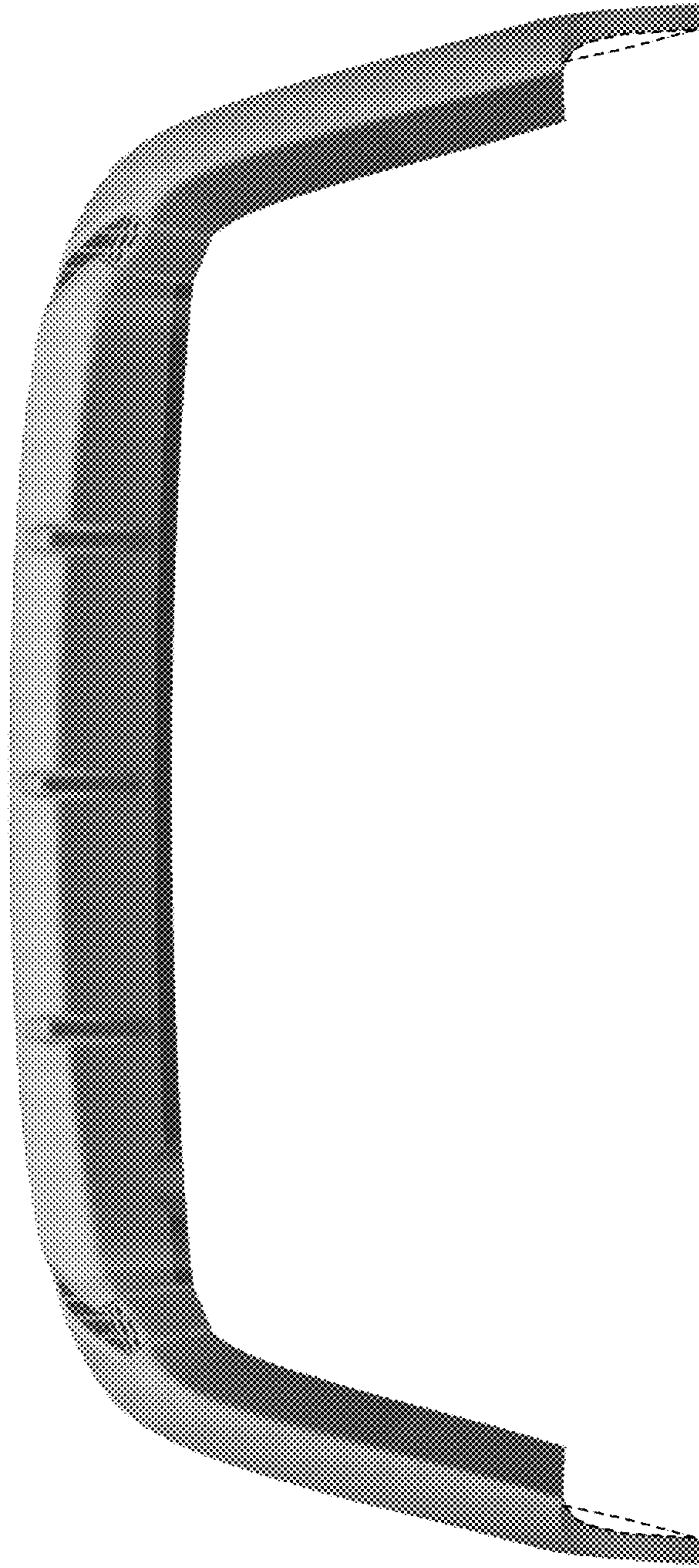


FIG. 3

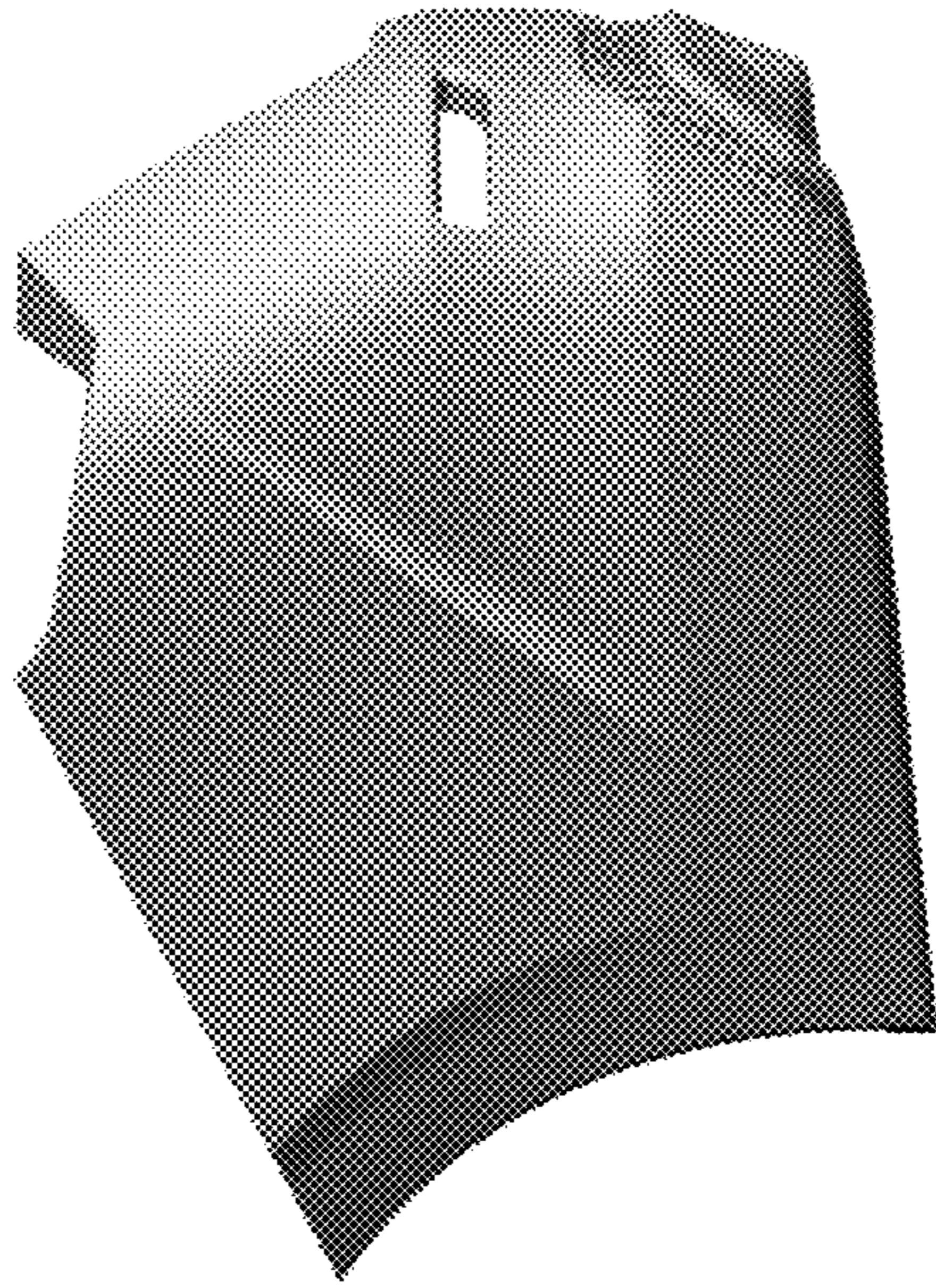


FIG. 4

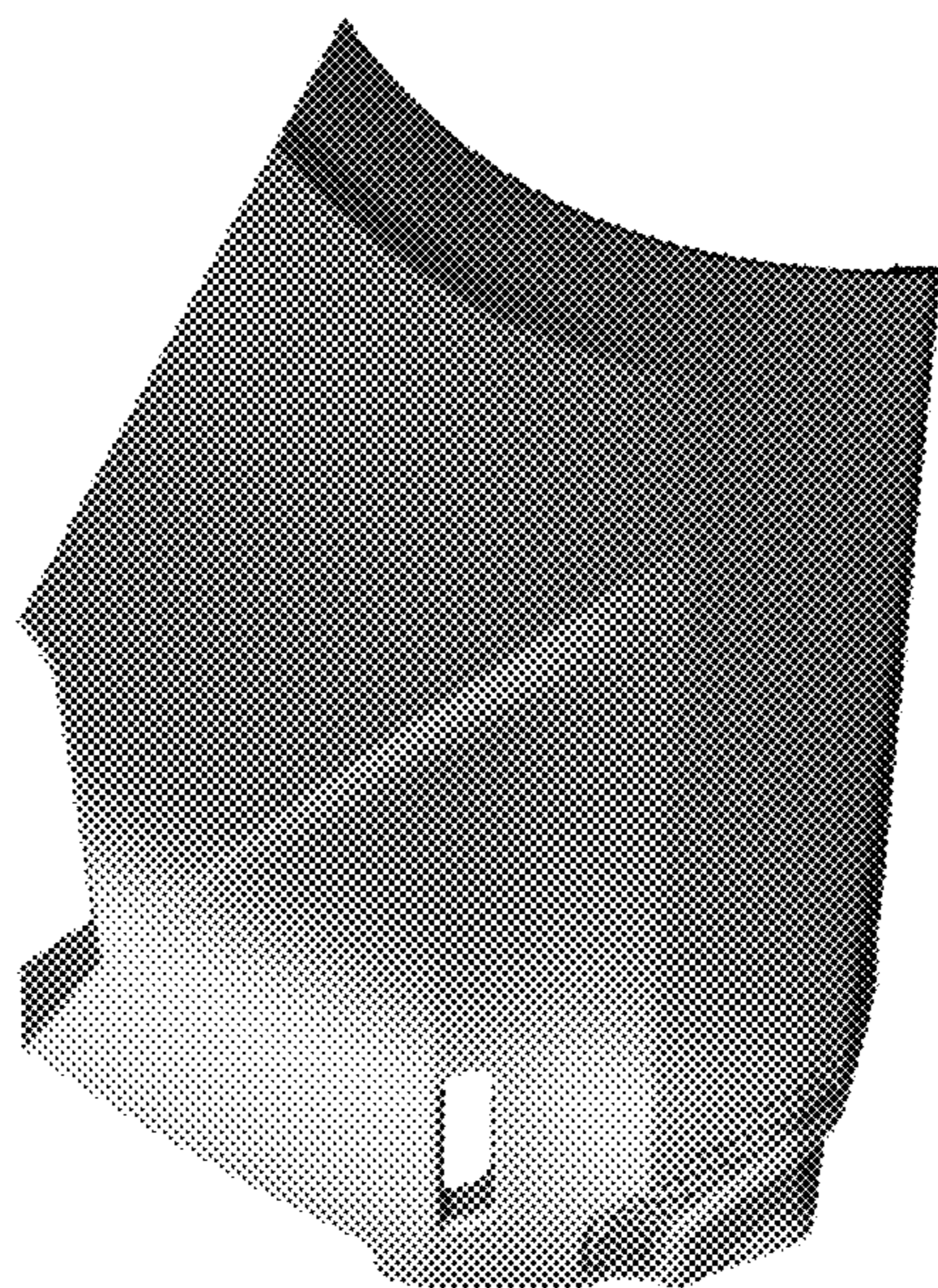


FIG. 5



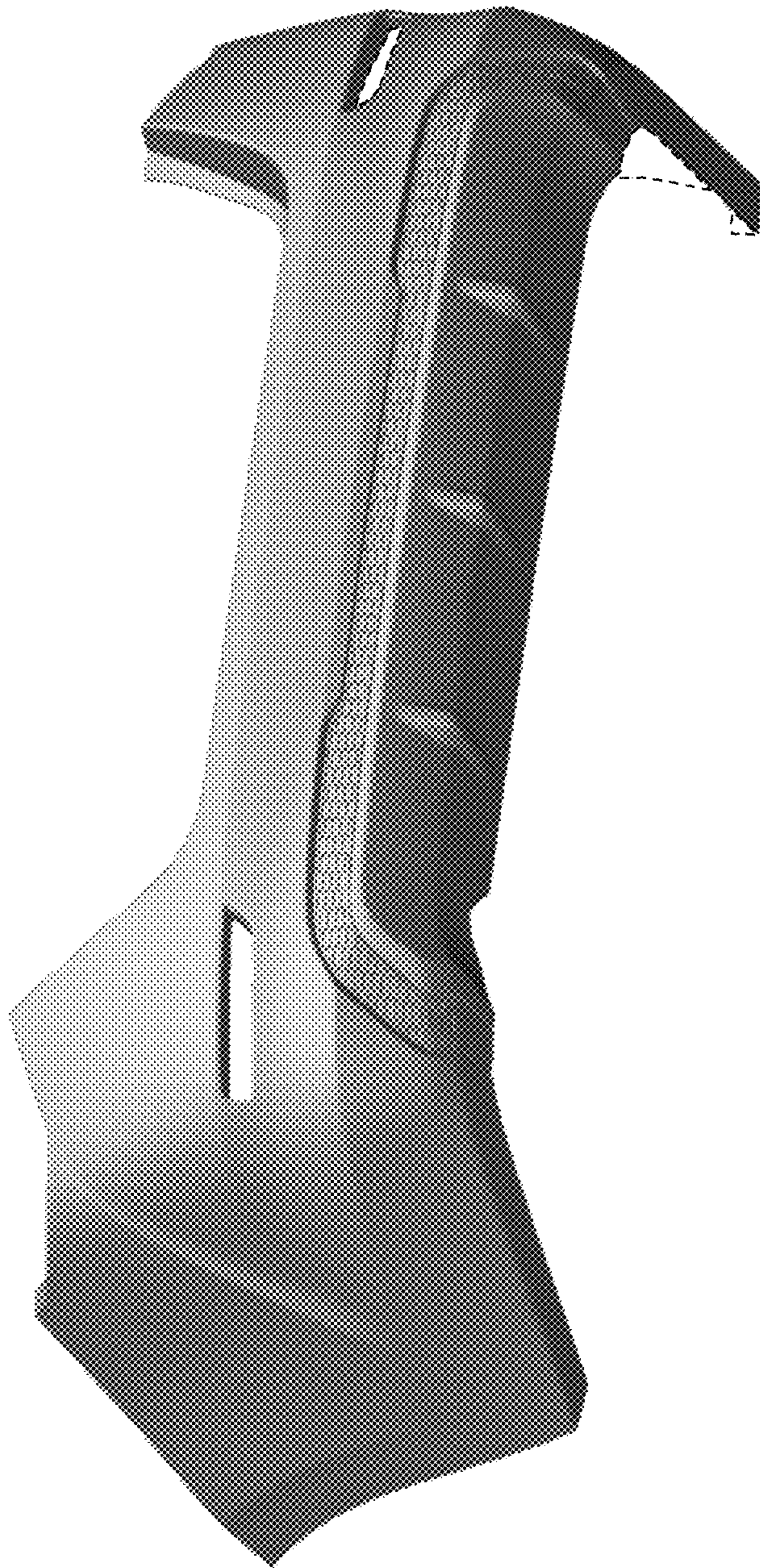


FIG. 6





FIG. 7