



US00D904940S

(12) **United States Design Patent** (10) **Patent No.:** **US D904,940 S**
Utsunomiya et al. (45) **Date of Patent:** **** Dec. 15, 2020**

(54) **FRONT BUMPER FOR AN AUTOMOBILE**

(71) Applicant: **Nissan Motor Co., Ltd.**, Kanagawa (JP)

(72) Inventors: **Takashi Utsunomiya**, Kanagawa (JP); **Marcus Quach**, San Diego, CA (US)

(73) Assignee: **Nissan Motor Co., Ltd.**, Yokohama (JP)

(**) Term: **15 Years**

(21) Appl. No.: **29/696,231**

(22) Filed: **Jun. 26, 2019**

(30) **Foreign Application Priority Data**

Dec. 27, 2018 (JP) 2018-028604

(51) **LOC (12) Cl.** **12-16**

(52) **U.S. Cl.**
USPC **D12/169**

(58) **Field of Classification Search**
USPC D12/169, 196, 86, 90-92, 163, 190, 98,
D12/164; 293/102, 113, 115, 117, 120,
293/193.11; 296/180.1, 180.2; 180/68.1,
180/68.6
CPC B60R 19/52; B60K 11/08; B62D 25/08;
B62B 9/16
See application file for complete search history.

(56) **References Cited**

U.S. PATENT DOCUMENTS

D675,139 S *	1/2013	Yamamoto	D12/169
D678,141 S *	3/2013	Behmer	D12/169
D680,478 S *	4/2013	Munakata	D12/169
D683,284 S *	5/2013	Yoshida	D12/169
D686,546 S *	7/2013	Fetherston	D12/169
D687,356 S *	8/2013	Weil	D12/169

D692,811 S *	11/2013	Johnson	D12/169
D695,654 S *	12/2013	Kobayashi	D12/169
D696,167 S *	12/2013	Ito	D12/169
D702,160 S *	4/2014	Miyazawa	D12/169
D713,767 S *	9/2014	Selvaag	D12/169
D716,199 S *	10/2014	Beermann	D12/169
D747,243 S *	1/2016	Patel	D12/169
D760,130 S *	6/2016	Arroba	D12/169
D830,249 S *	10/2018	Zhang	D12/169
D843,899 S *	3/2019	Nakajima et al.	D12/169
D874,996 S *	2/2020	Kuunoki et al.	D12/169
D874,997 S *	2/2020	Campbell	D12/169

* cited by examiner

Primary Examiner — Melody N Brown

(74) *Attorney, Agent, or Firm* — Global IP Counselors, LLP

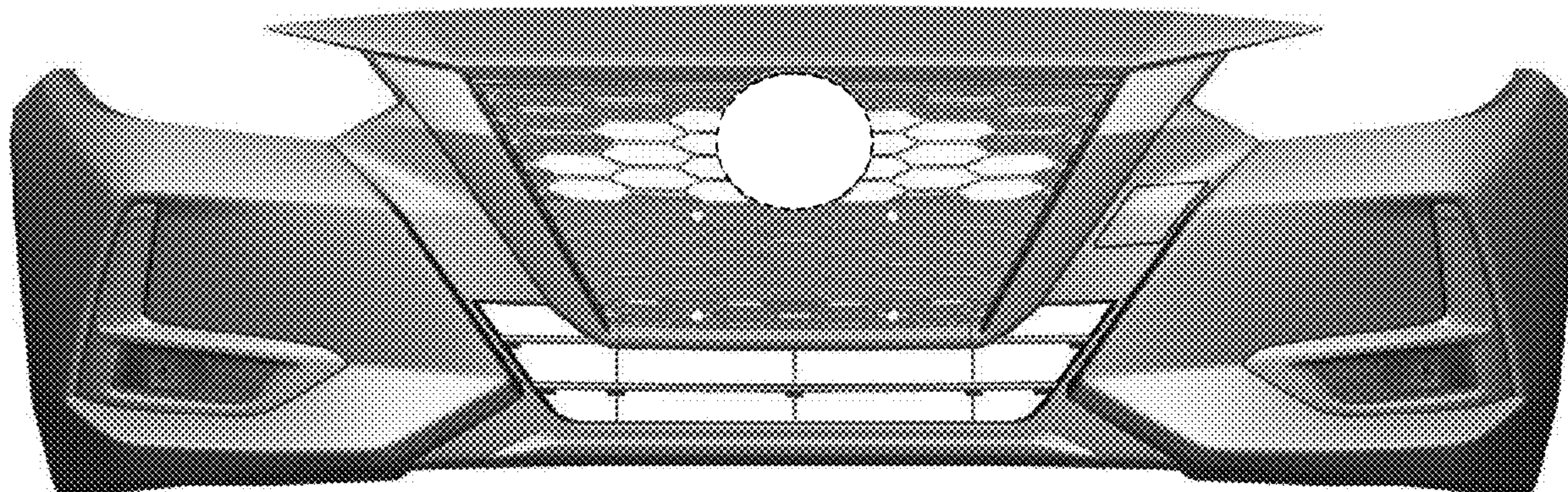
(57) **CLAIM**

The ornamental design for a front bumper for an automobile, as shown and described.

DESCRIPTION

FIG. 1 is a front elevational view of a front bumper for an automobile in accordance with our new design;
FIG. 2 is a top plan view thereof;
FIG. 3 is a bottom plan view thereof;
FIG. 4 is a left side elevational view thereof;
FIG. 5 is a right side elevational view thereof;
FIG. 6 is a bottom, front and left side perspective view thereof; and,
FIG. 7 is a top, front and right side perspective view thereof.
The rear view of the front bumper for an automobile forms no part of the claimed design. The inside surfaces of the front bumper for an automobile, shown in broken lines in FIGS. 2, 3, 6 and 7, form no part of the claimed design since the inside surfaces are hidden when the front bumper for an automobile is mounted to the automobile.

1 Claim, 7 Drawing Sheets



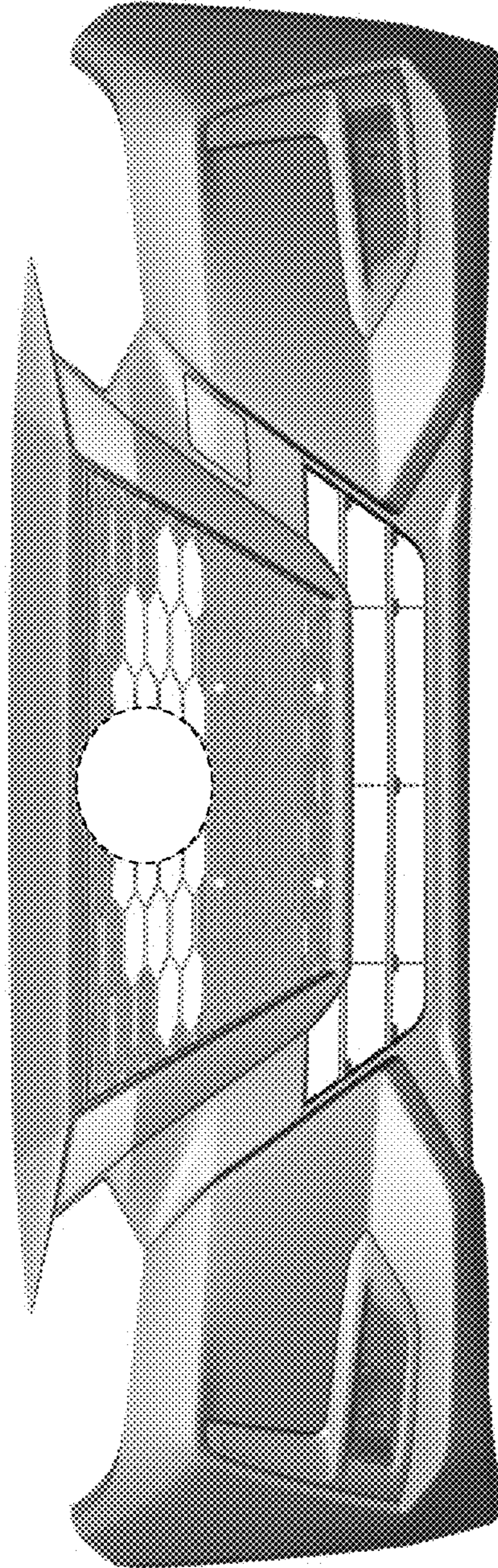


FIG. 1

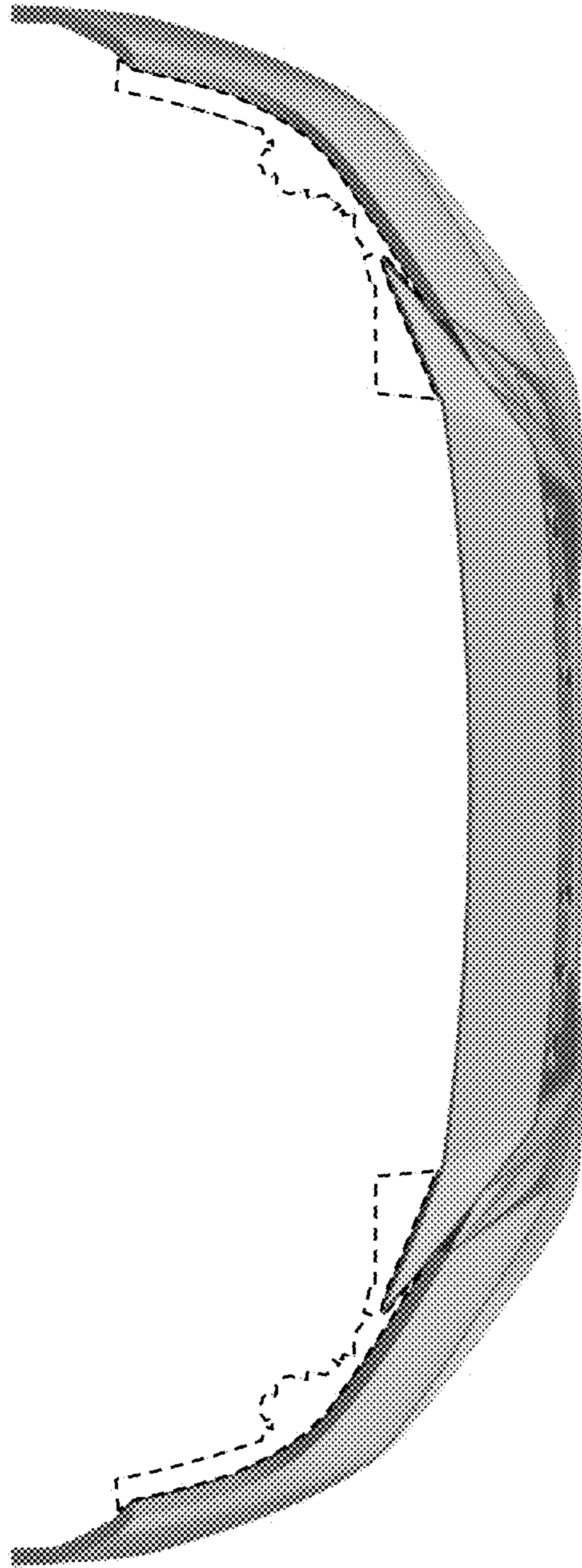


FIG. 2

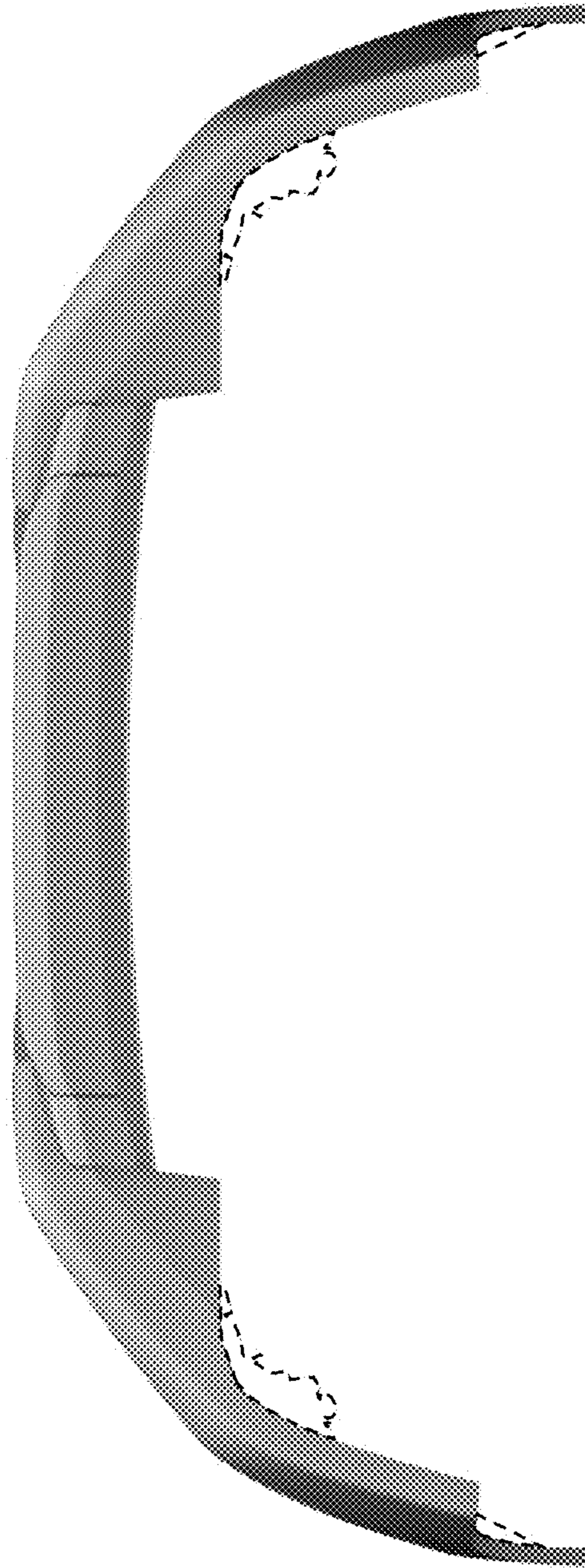


FIG. 3

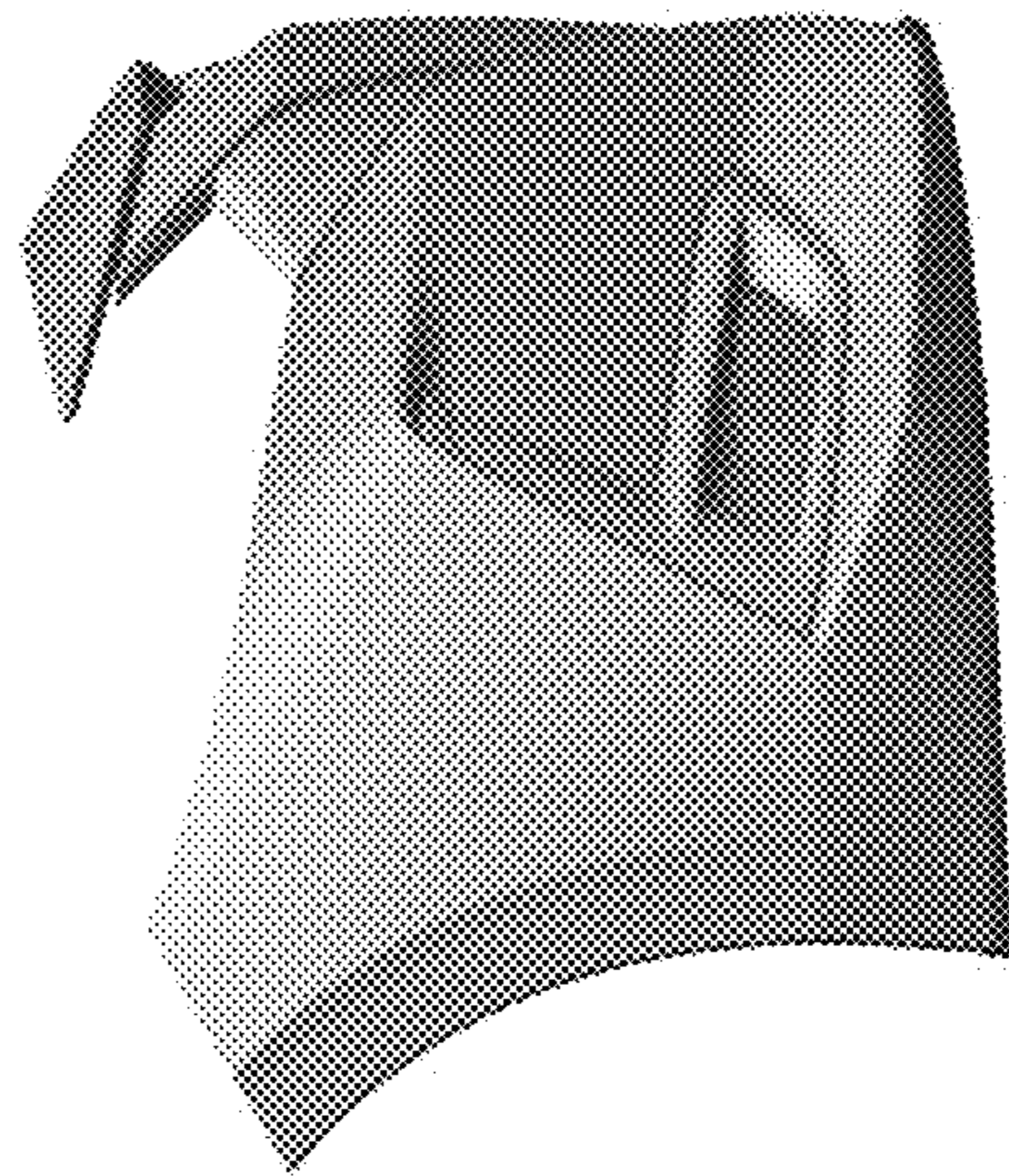


FIG. 4

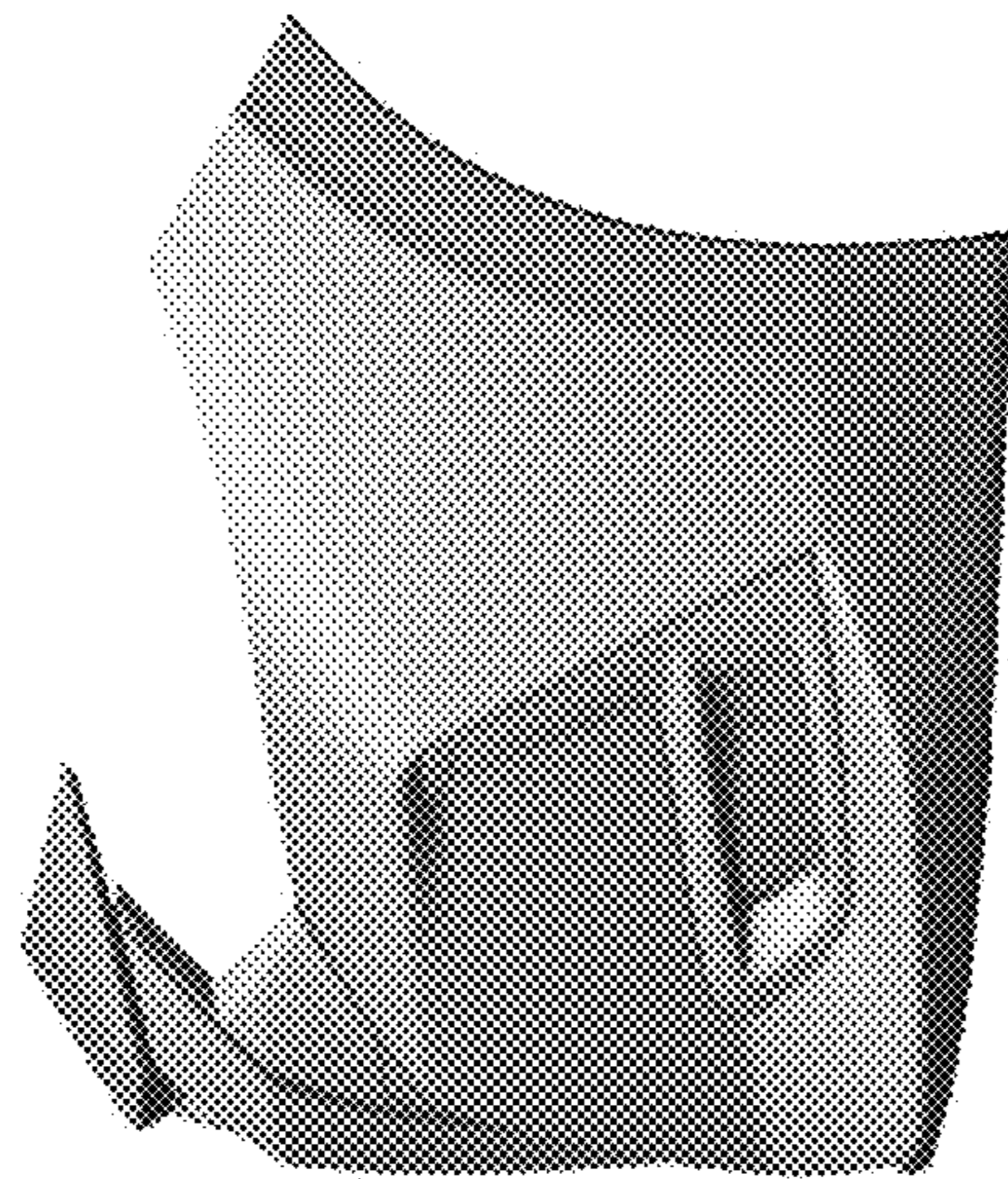


FIG. 5

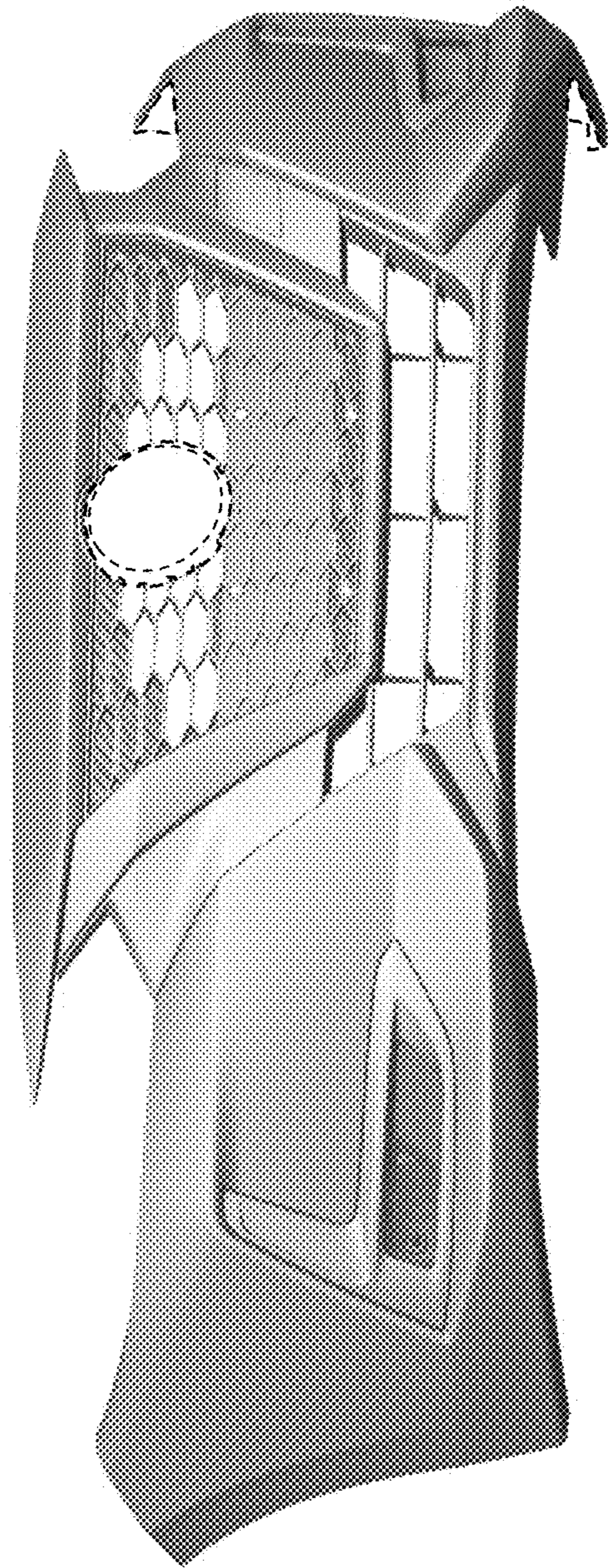


FIG. 6

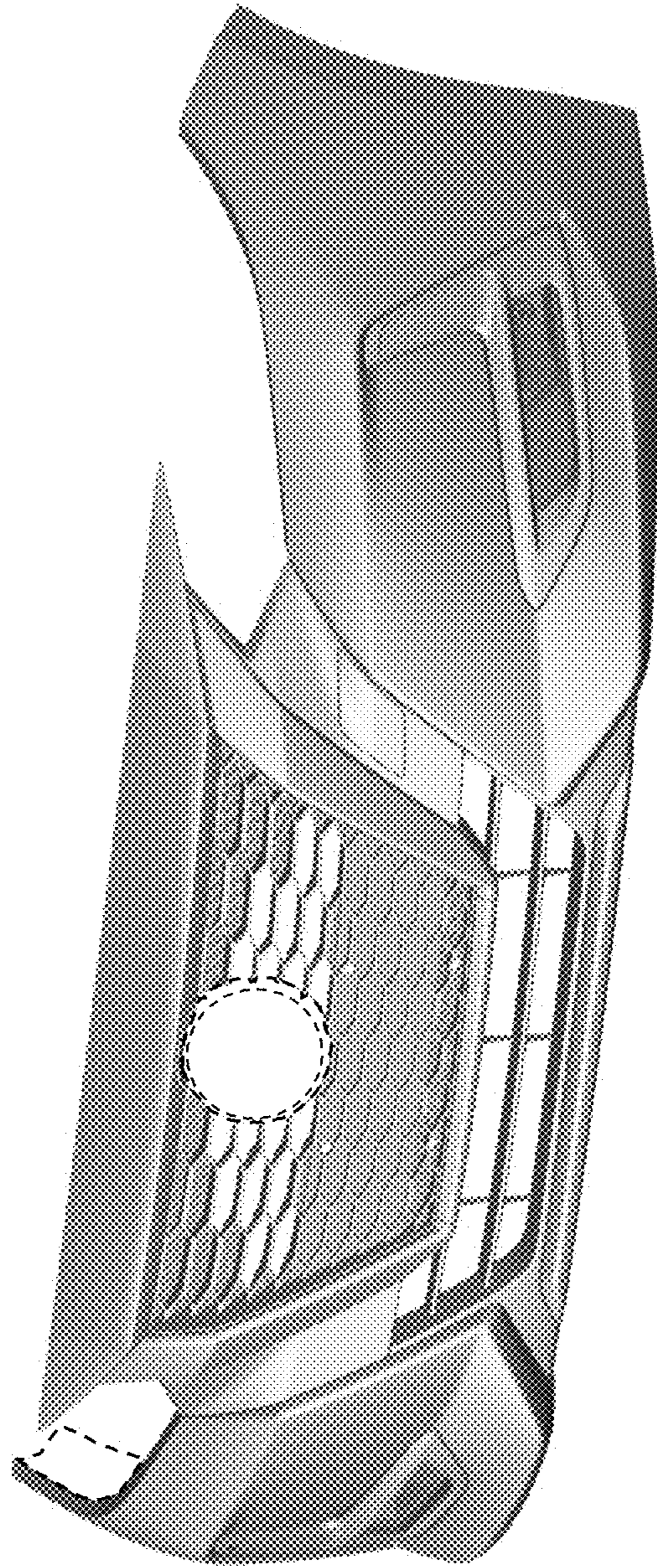


FIG. 7