



US00D904936S

(12) **United States Design Patent**  
**Lou et al.**

(10) **Patent No.:** **US D904,936 S**

(45) **Date of Patent:** **\*\* Dec. 15, 2020**

- (54) **ALL-TERRAIN VEHICLE**
- (71) Applicant: **Zhejiang Taotao Vehicles Co., Ltd.**,  
Lishui (CN)
- (72) Inventors: **Guidong Lou**, Jinhua (CN); **Matao Cao**, Jinhua (CN); **Hang Ye**, Jinhua (CN); **Hongxia Zhu**, Lishui (CN); **Jie Xu**, Jinhua (CN); **Yali Ying**, Lishui (CN); **Junhui Li**, Jinhua (CN)
- (73) Assignee: **Zhejiang Taotao Vehicles Co., Ltd.**,  
Lishui (CN)

(\*\*) Term: **15 Years**

(21) Appl. No.: **29/686,786**

(22) Filed: **Apr. 8, 2019**

(30) **Foreign Application Priority Data**

Oct. 20, 2018 (CN) ..... 2018 3 0587124

(51) **LOC (12) Cl.** ..... **12-11**

(52) **U.S. Cl.**  
USPC ..... **D12/107**

(58) **Field of Classification Search**  
USPC ..... D12/3, 86, 87, 107, 110  
CPC ..... B60K 5/12; B60K 13/04; B60K 17/354  
See application file for complete search history.

(56) **References Cited**

**U.S. PATENT DOCUMENTS**

- D374,416 S \* 10/1996 Miyamoto ..... D12/107
- D383,095 S \* 9/1997 Miyamoto ..... D12/107
- D421,935 S \* 3/2000 Fujieda ..... D12/107
- D428,363 S \* 7/2000 Sugimoto ..... D12/107
- D436,559 S \* 1/2001 Fujieda ..... D12/107
- D496,308 S \* 9/2004 Wu ..... D12/107
- D516,467 S \* 3/2006 Wu ..... D12/107
- D517,951 S \* 3/2006 Luh ..... D12/107

- D517,952 S \* 3/2006 Luh ..... D12/107
- D520,912 S \* 5/2006 Knight ..... D12/107
- D520,914 S \* 5/2006 Luh ..... D12/107
- D522,924 S \* 6/2006 Yokoyama ..... D12/107
- D523,782 S \* 6/2006 Lin ..... D12/107
- D529,414 S \* 10/2006 Wu ..... D12/107
- D529,840 S \* 10/2006 Sugawara ..... D12/107
- D531,088 S \* 10/2006 Lin ..... D12/107
- D532,339 S \* 11/2006 Hishiki ..... D12/107
- D539,705 S \* 4/2007 Ichikawa ..... D12/107
- D542,186 S \* 5/2007 Lai ..... D12/107
- D542,188 S \* 5/2007 Miwa ..... D12/107
- D585,792 S \* 2/2009 Chao ..... D12/107
- D599,251 S \* 9/2009 Yin ..... D12/107
- D609,136 S \* 2/2010 Renchuan ..... D12/107
- D620,399 S \* 7/2010 Wu ..... D12/107
- D640,604 S \* 6/2011 Lai ..... D12/107
- D640,605 S \* 6/2011 Lai ..... D12/107
- D657,721 S \* 4/2012 Miyanishi ..... D12/107
- D668,184 S \* 10/2012 Tashiro ..... D12/107

(Continued)

*Primary Examiner* — Darlington Ly

(74) *Attorney, Agent, or Firm* — Bayramoglu Law Offices LLC

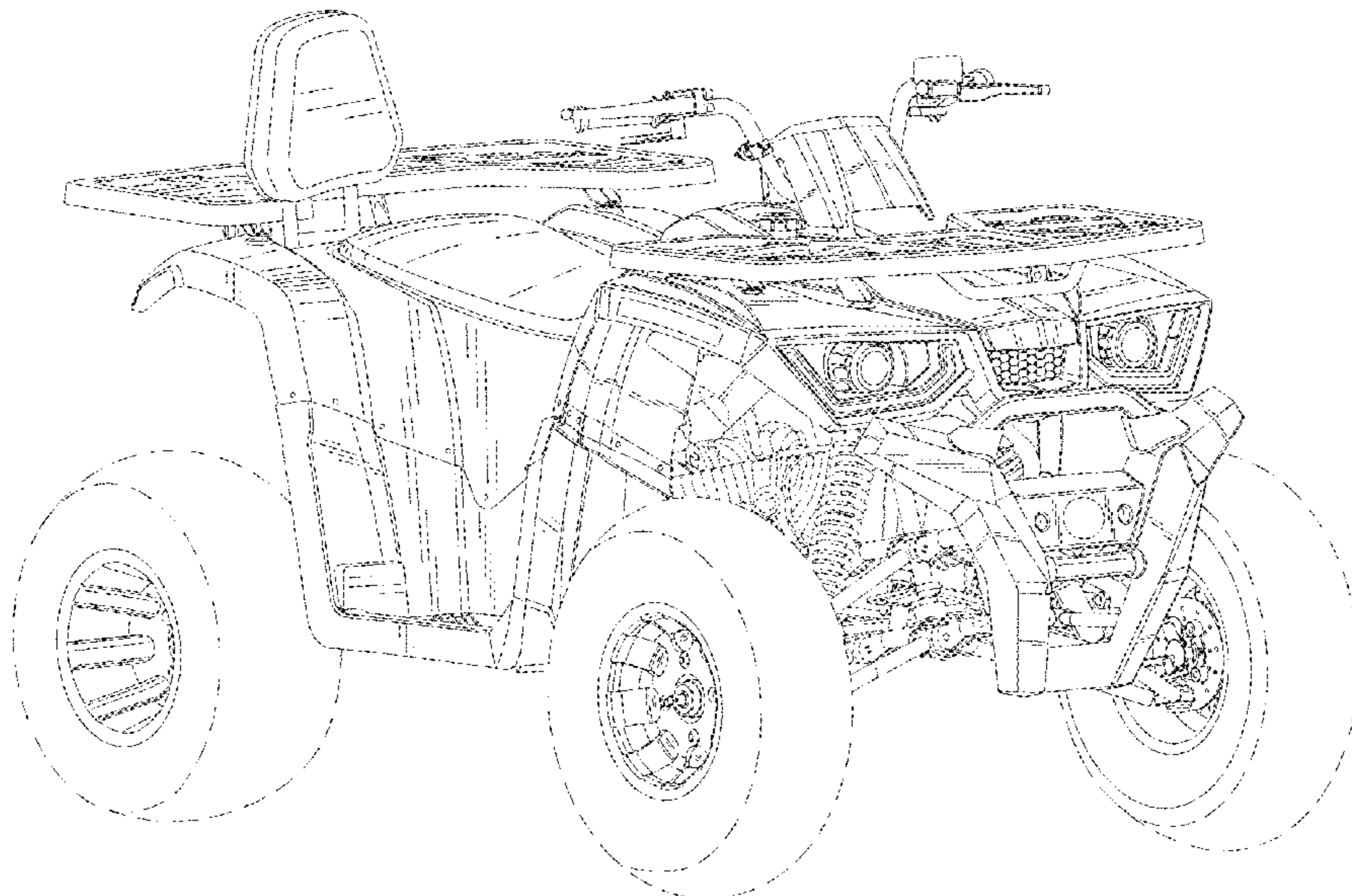
(57) **CLAIM**

The ornamental design for an all-terrain vehicle, as shown and described.

**DESCRIPTION**

FIG. 1 is a perspective view of an all-terrain vehicle according to our new design;  
 FIG. 2 is right side elevation view thereof;  
 FIG. 3 is a left side elevation view thereof;  
 FIG. 4 is a rear elevation view thereof;  
 FIG. 5 is a front elevation view thereof;  
 FIG. 6 is a top plan view thereof; and,  
 FIG. 7 is a bottom plan view thereof.  
 The broken lines in the drawings illustrating portions of the all-terrain vehicle form no part of the claimed design.

**1 Claim, 7 Drawing Sheets**



(56)

**References Cited**

U.S. PATENT DOCUMENTS

D671,037	S *	11/2012	Wu .....	D12/107
D674,728	S *	1/2013	Matsumura .....	D12/107
D680,468	S *	4/2013	Li .....	D12/107
D680,469	S *	4/2013	Li .....	D12/107
D691,519	S *	10/2013	Fisher .....	D12/107
D694,671	S *	12/2013	Lai .....	D12/107
D721,300	S *	1/2015	Li .....	D12/107
D761,698	S *	7/2016	Umemoto .....	D12/107
D774,957	S *	12/2016	Umemoto .....	D12/107
9,649,928	B2 *	5/2017	Danielson .....	B60K 13/02
9,873,316	B2 *	1/2018	Lovold .....	B60K 5/12

\* cited by examiner

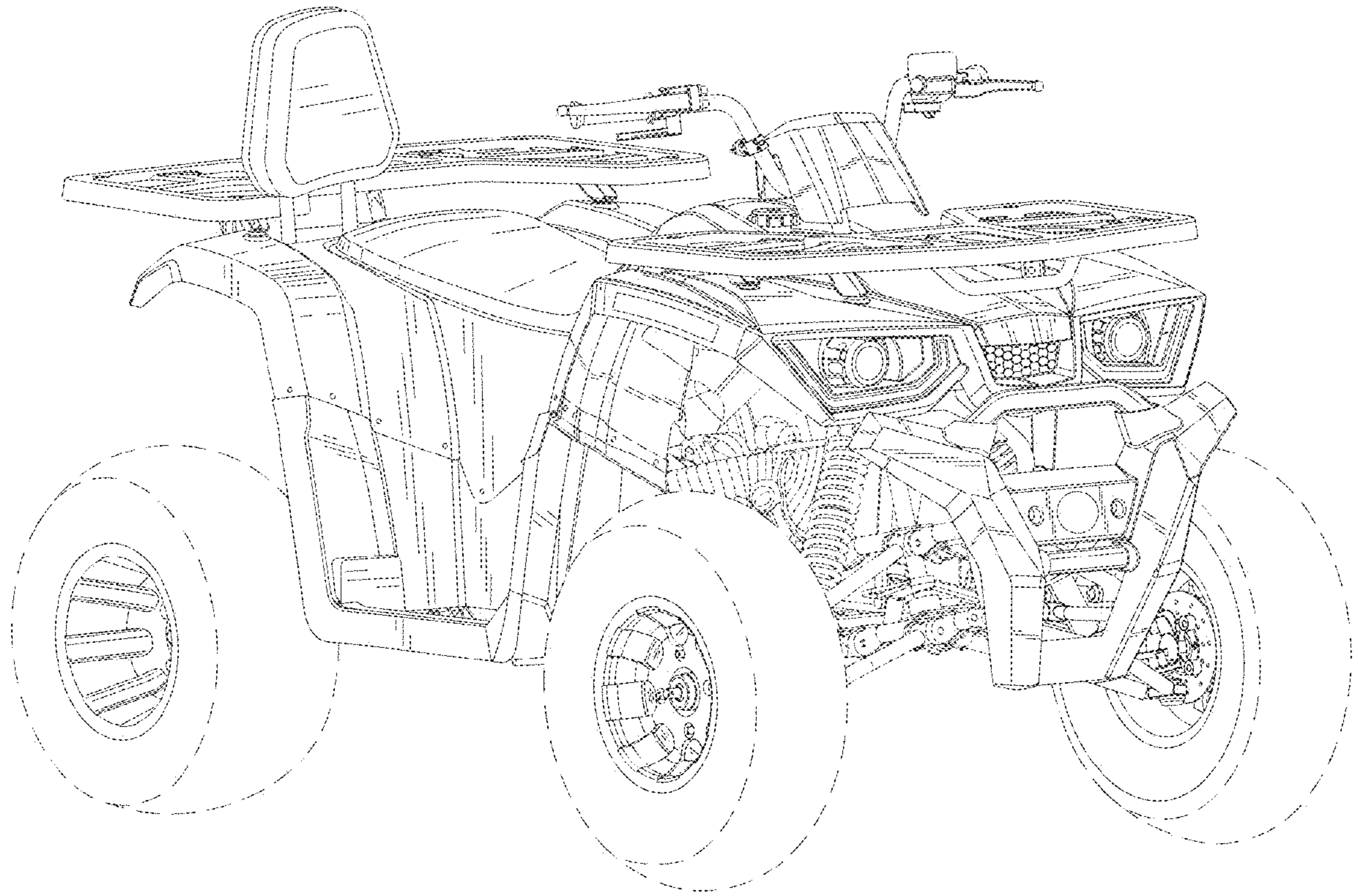


FIG. 1

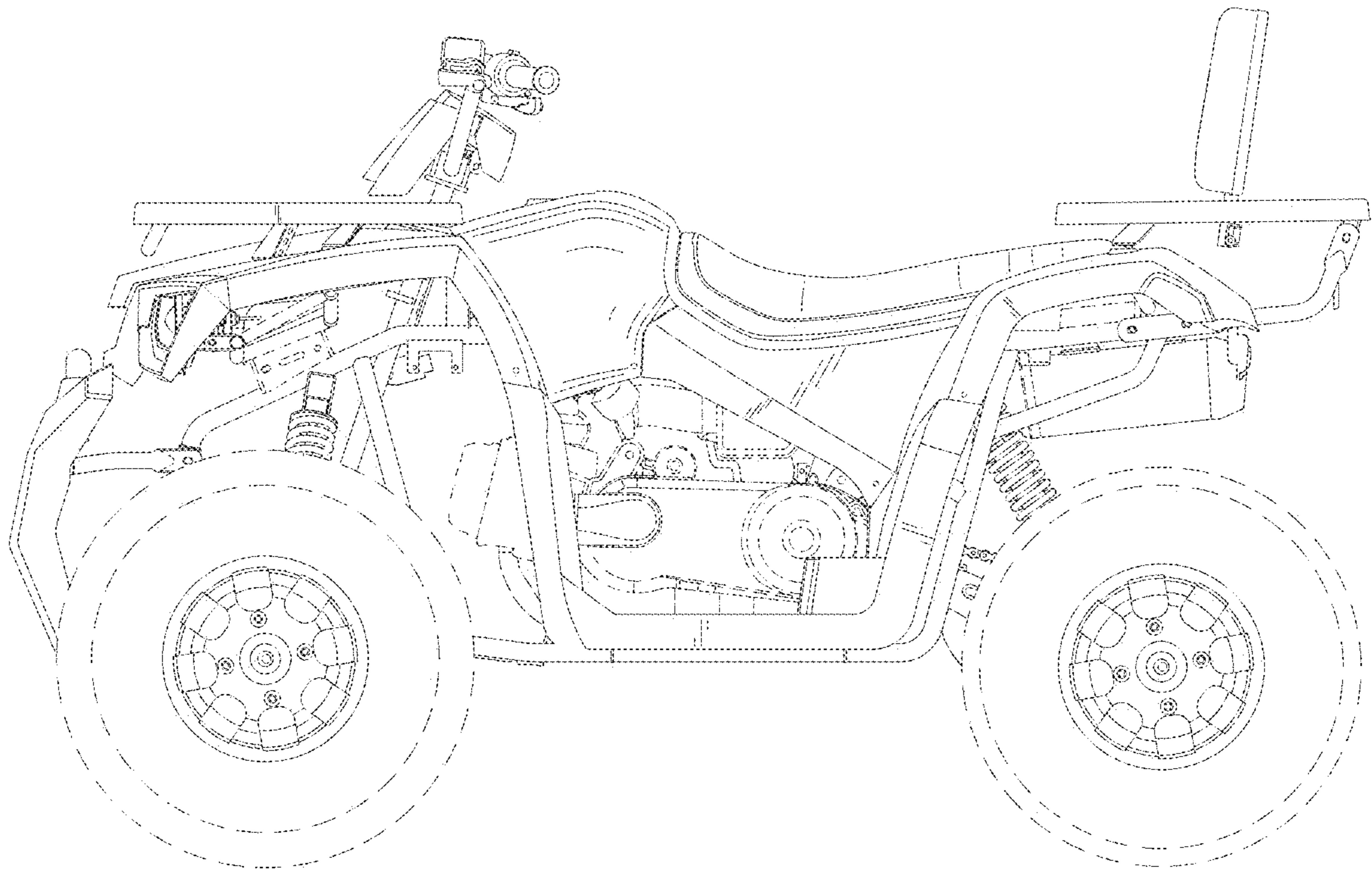


FIG. 2

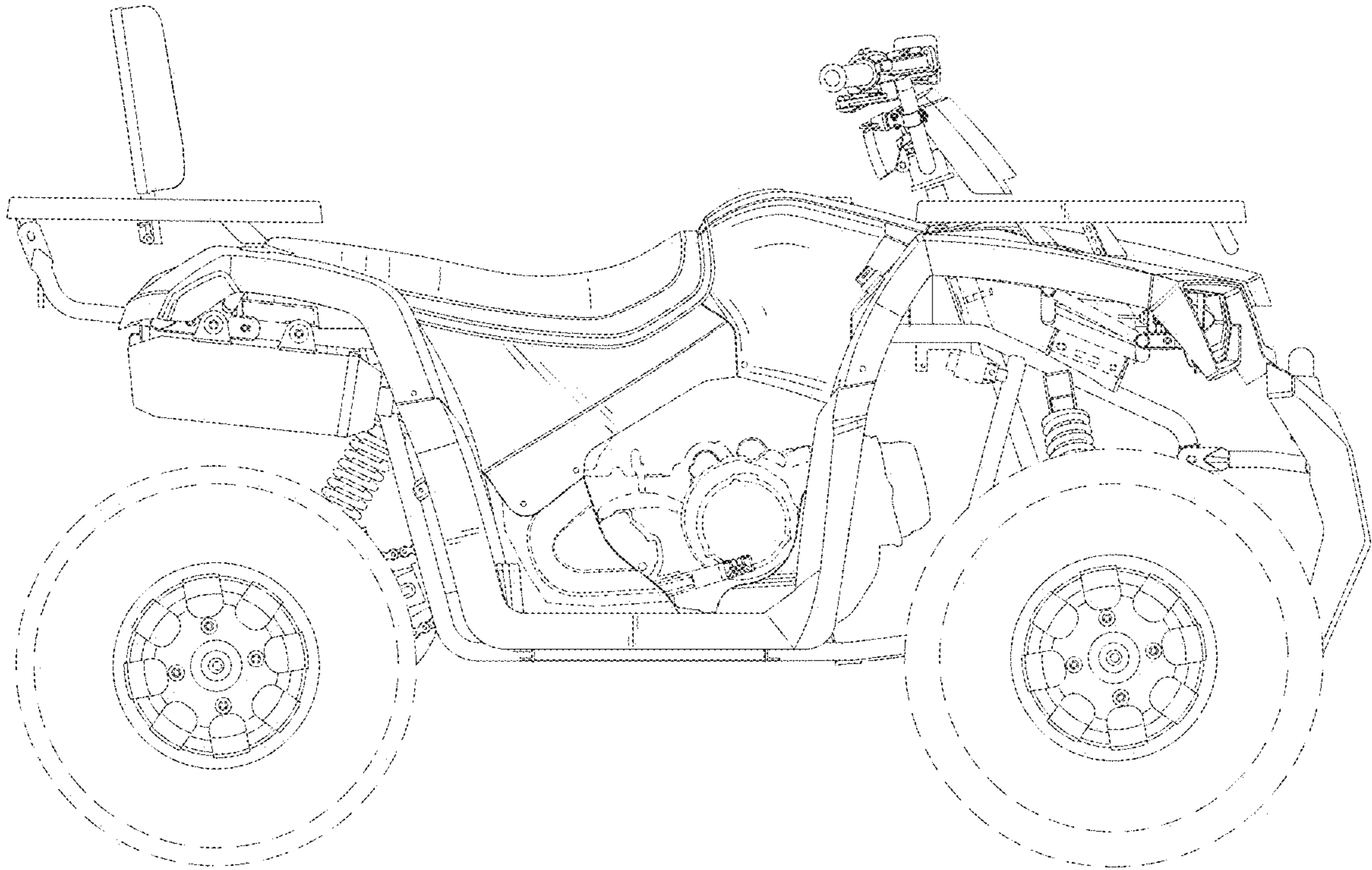


FIG. 3

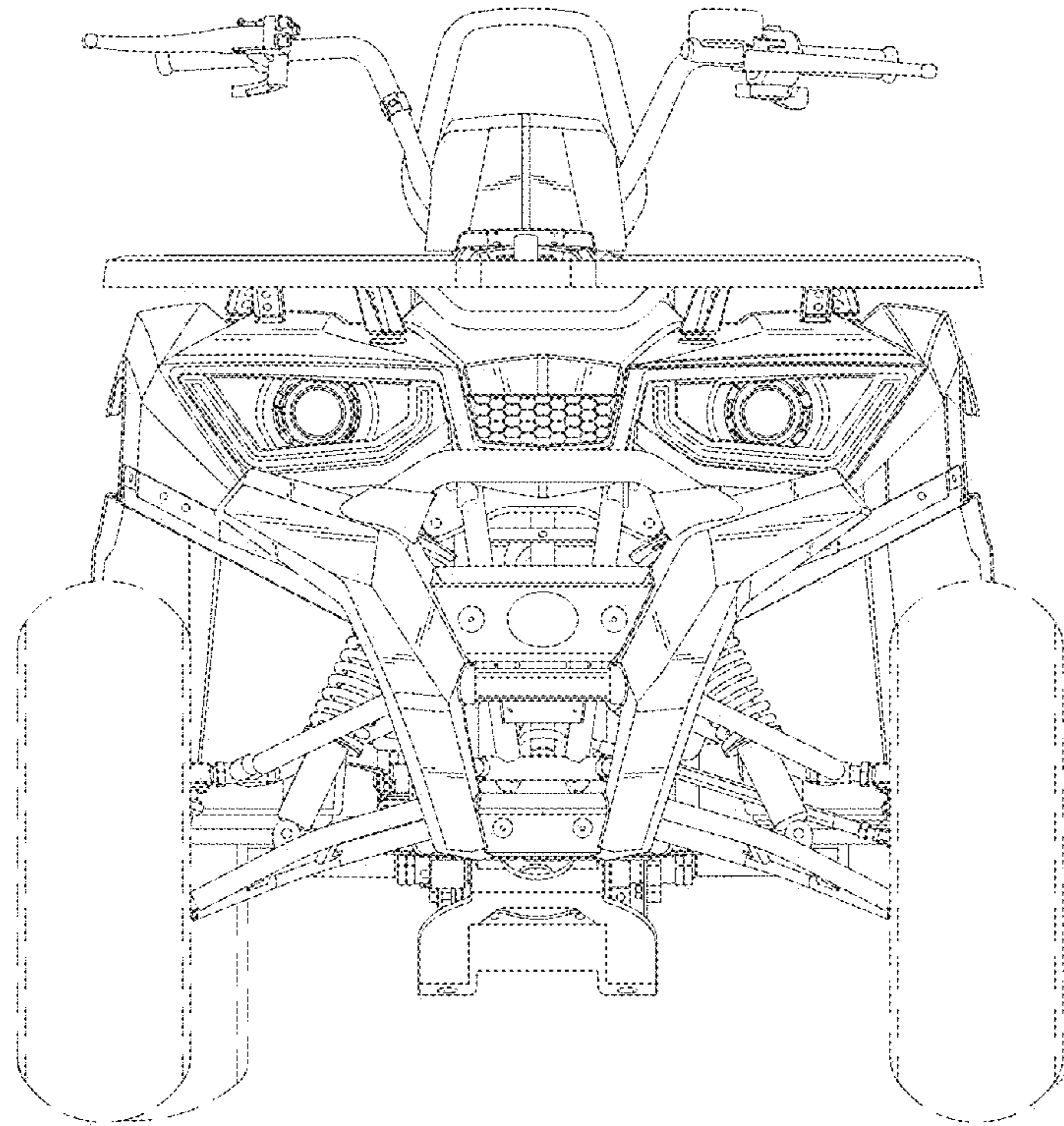


FIG. 4

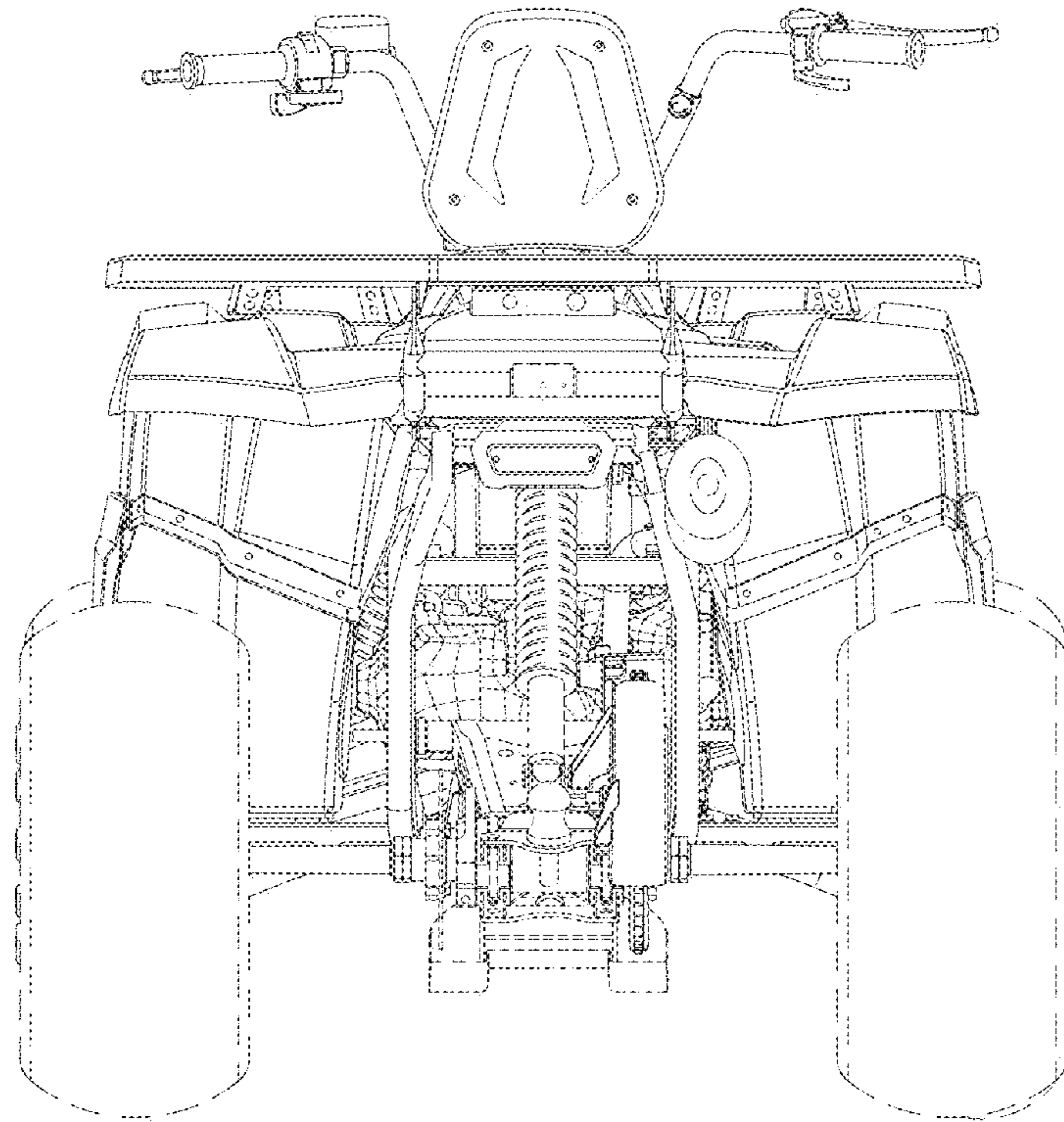


FIG. 5

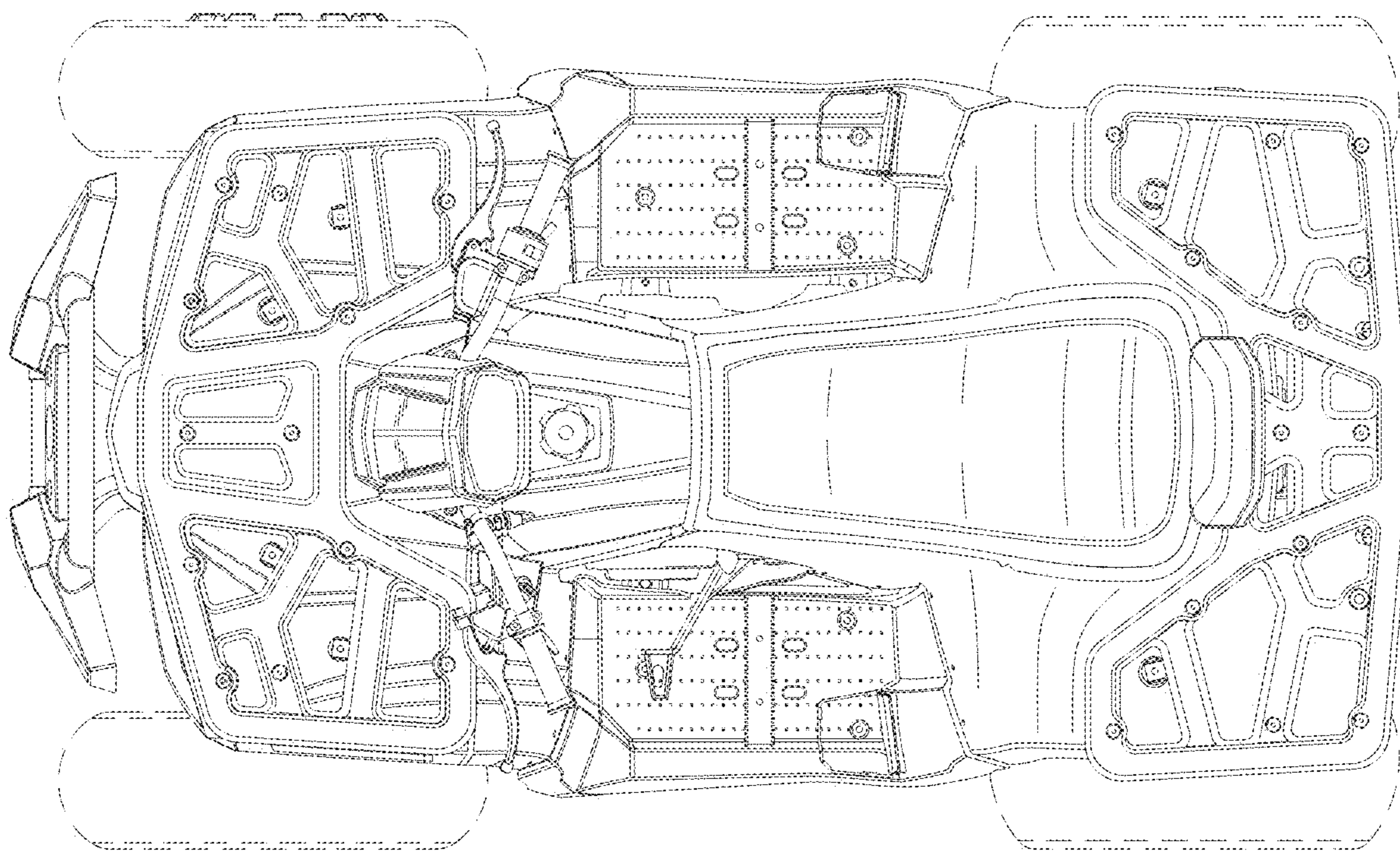


FIG. 6



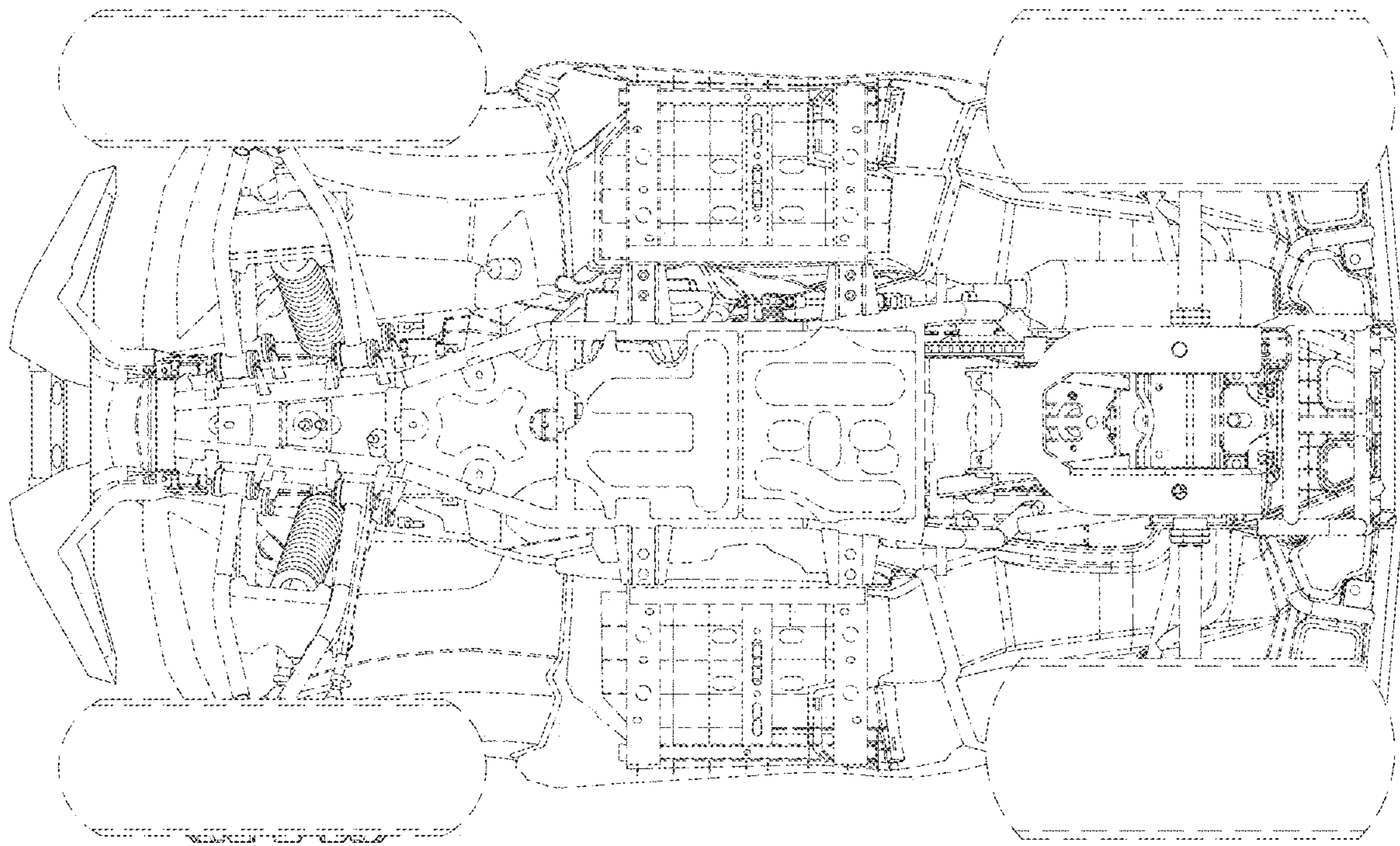


FIG. 7