



US00D904931S

(12) **United States Design Patent** (10) **Patent No.:** **US D904,931 S**
Lai et al. (45) **Date of Patent:** **** Dec. 15, 2020**

(54) **ALL-TERRAIN VEHICLE**
(71) Applicant: **Zhejiang CFMOTO Power Co., Ltd.**,
Hangzhou (CN)
(72) Inventors: **Minjie Lai**, Hangzhou (CN); **Zhiyong Chen**, Hangzhou (CN); **Yixing Liao**, Hangzhou (CN); **Yonggang Cui**, Hangzhou (CN); **Longping Luo**, Hangzhou (CN)
(73) Assignee: **Zhejiang CFMOTO Power Co., Ltd.**,
Zhejiang (CN)

D650,311 S * 12/2011 Bracy D12/87
D675,960 S * 2/2013 Hashimoto D12/87
D682,737 S * 5/2013 Li D12/14
D682,738 S * 5/2013 Li D12/14
D689,396 S * 9/2013 Wang
D694,668 S * 12/2013 Li D12/14
D699,627 S * 2/2014 Tang D12/14
D701,469 S * 3/2014 Lai D12/87
D703,102 S * 4/2014 Eck D12/87
D711,778 S * 8/2014 Chun D12/14
D712,311 S * 9/2014 Morgan D12/87
D716,694 S * 11/2014 Higashikawa D12/14
D717,695 S * 11/2014 Matsumura D12/14
D735,077 S * 7/2015 Sato D12/87
D756,845 S * 5/2016 Flores D12/14
D762,522 S * 8/2016 Kinoshita D12/87

(**) Term: **15 Years**

(21) Appl. No.: **29/666,000**

(22) Filed: **Oct. 9, 2018**

(30) **Foreign Application Priority Data**

May 2, 2018 (CN) 2018 3 0192256

(51) **LOC (12) Cl.** **12-08**

(52) **U.S. Cl.**
USPC **D12/87**

(58) **Field of Classification Search**
USPC D12/87, 86, 107, 110, 1, 3, 4, 14, 85
CPC .. B60G 2300/07; B62D 21/183; B62D 23/00;
B62D 25/00
See application file for complete search history.

(56) **References Cited**

U.S. PATENT DOCUMENTS

D578,934 S * 10/2008 Tanaka D12/14
D622,631 S * 8/2010 Lai D12/87
D625,662 S * 10/2010 Li D12/87
D631,395 S * 1/2011 Tandrup D12/14
D633,006 S * 2/2011 Sanschagrín D12/1
D636,704 S * 4/2011 Yoo D12/1
D641,288 S * 7/2011 Sun D12/87

(Continued)

Primary Examiner — Michelle E. Wilson

Assistant Examiner — Clese Moore, Jr.

(74) *Attorney, Agent, or Firm* — Wolf, Greenfield & Sacks, P.C.

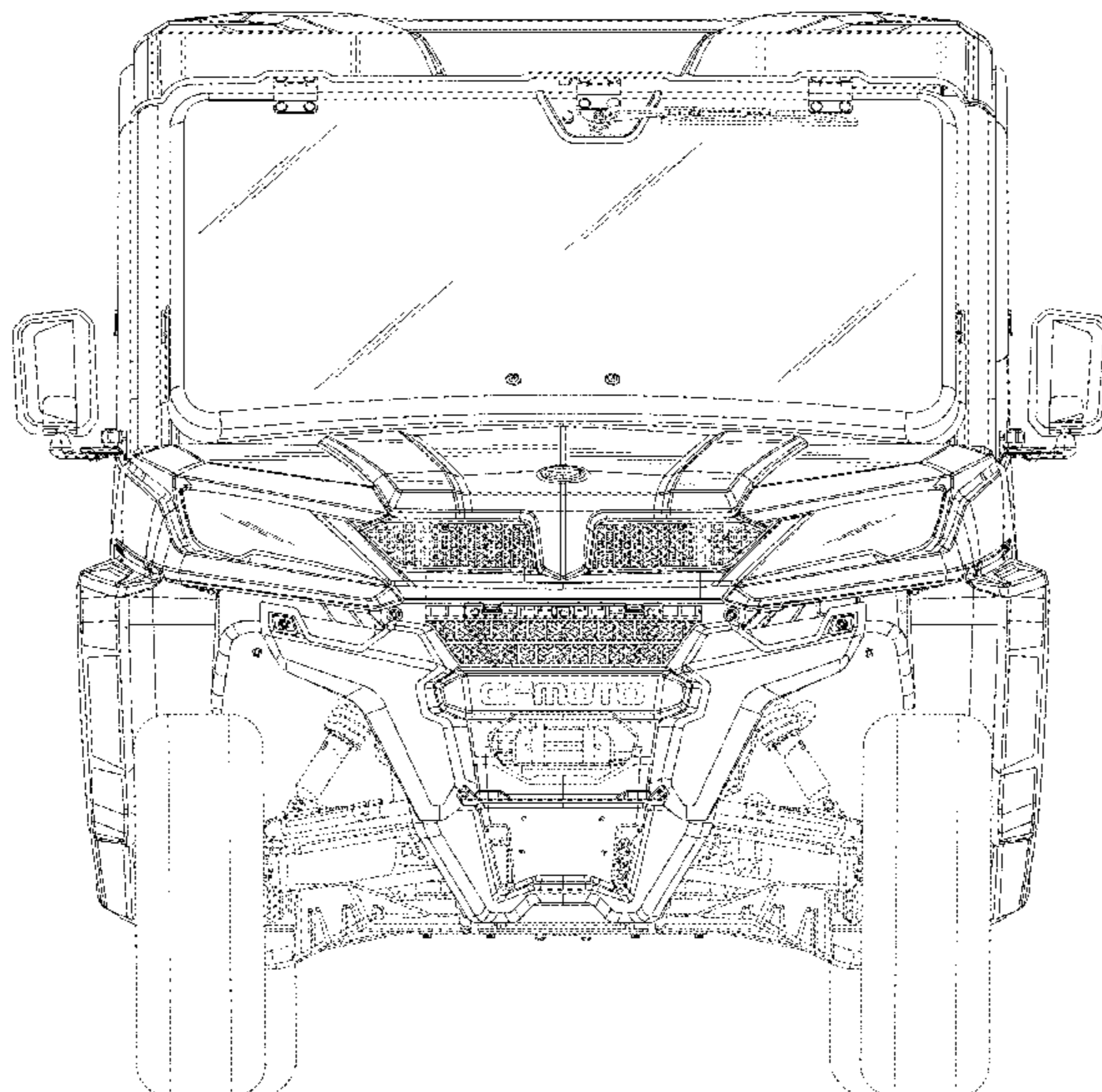
(57) **CLAIM**

The ornamental design for an all-terrain vehicle, as shown and described.

DESCRIPTION

FIG. 1 is a front elevation view of an all-terrain vehicle, showing our new design;
FIG. 2 is a rear elevation view thereof;
FIG. 3 is a left side elevation view thereof;
FIG. 4 is a right side elevation view thereof;
FIG. 5 is a top plan view thereof;
FIG. 6 is a bottom plan view thereof;
FIG. 7 is a top, front, right side perspective view thereof; and,
FIG. 8 is a top, rear, left side perspective view thereof.
The broken lines present in the figures are included for the purpose of illustrating portions of the all-terrain vehicle which form no part of the claimed design.

1 Claim, 8 Drawing Sheets



(56)

References Cited

U.S. PATENT DOCUMENTS

D852,674 S * 7/2019 Wilcox D12/87
D862,286 S * 10/2019 Flores D12/87
2018/0265062 A1* 9/2018 Bowers B60T 8/4031
2019/0285150 A1* 9/2019 Zurbruegg F16H 9/18

* cited by examiner

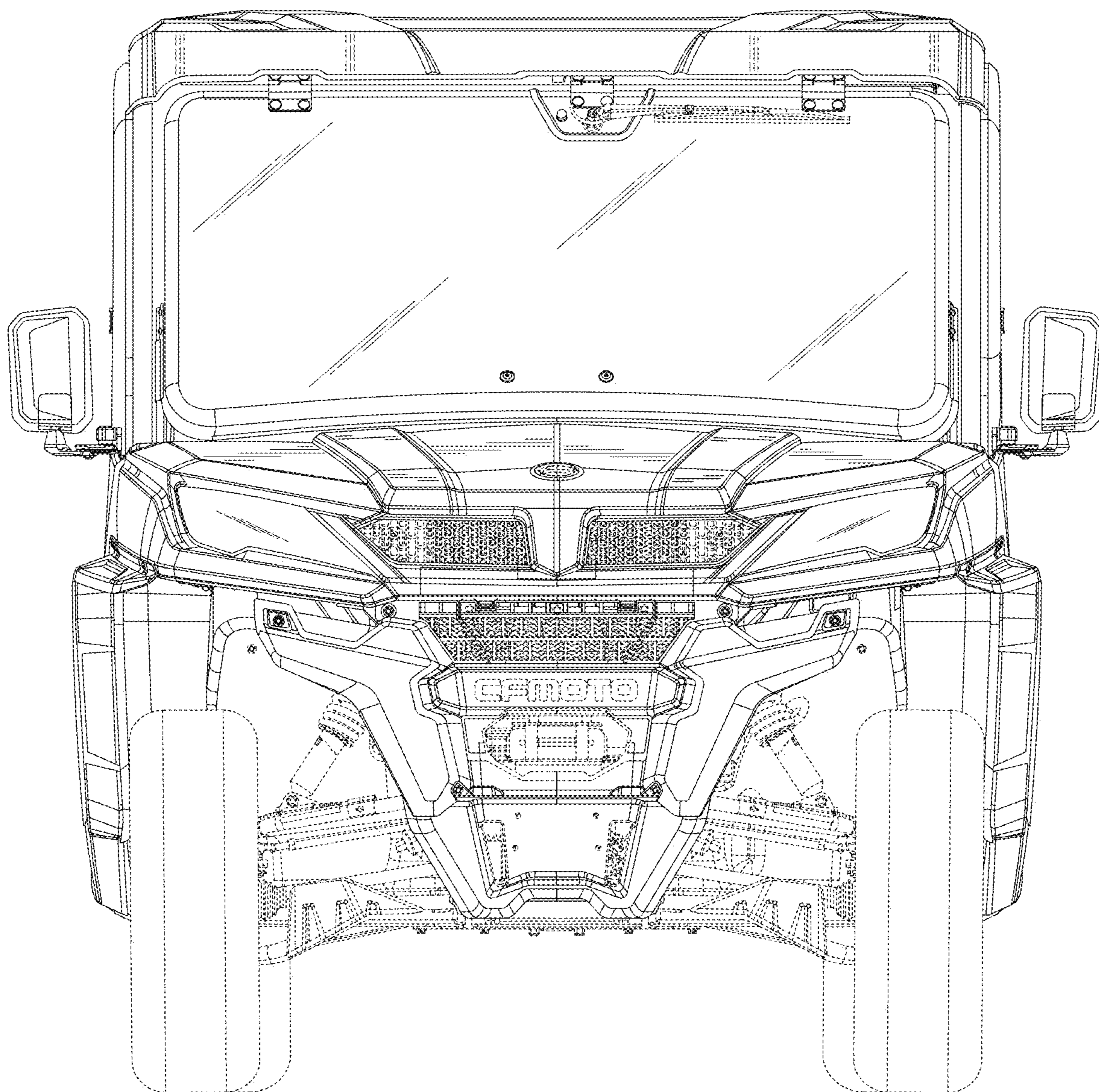


FIG. 1

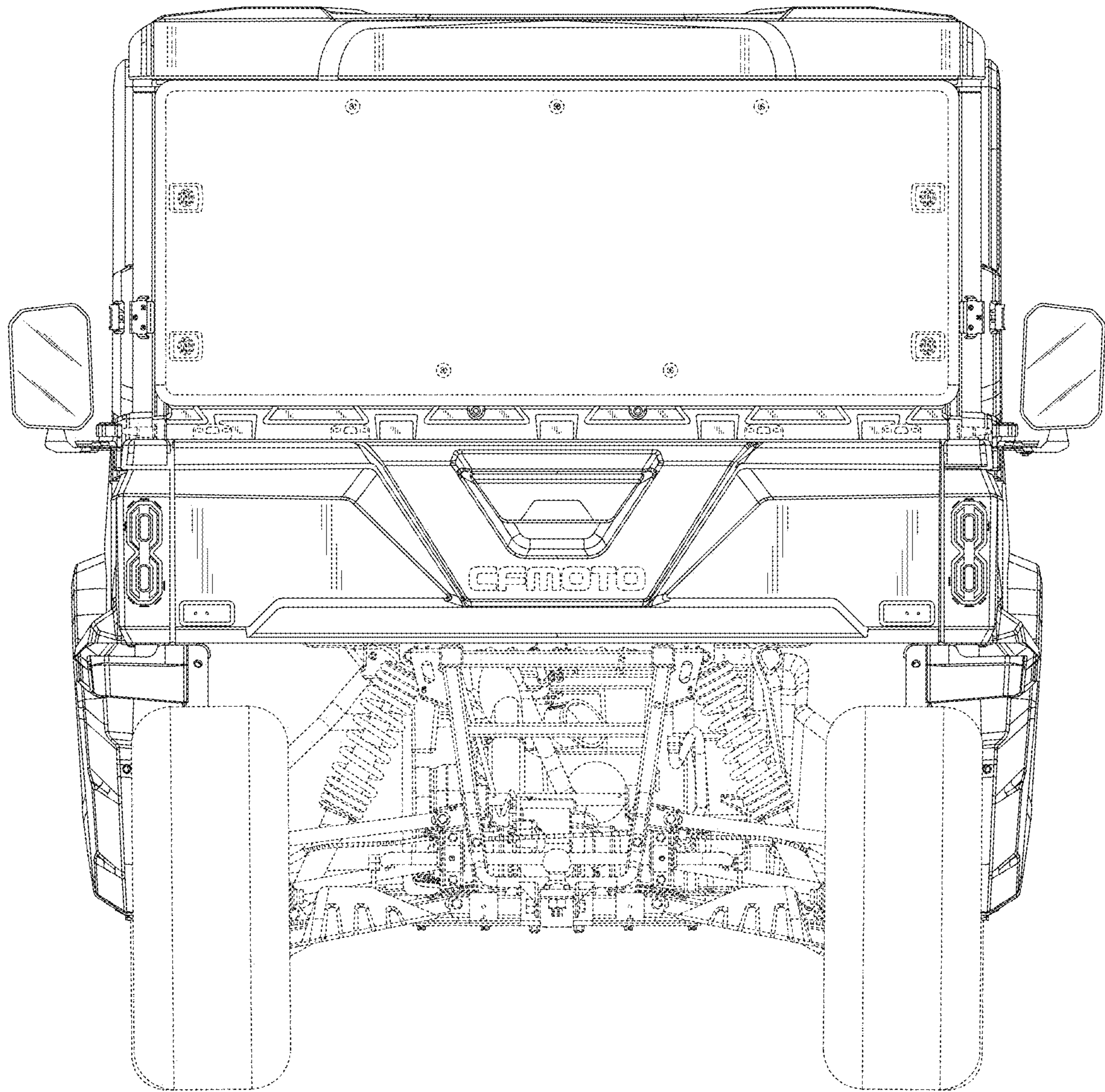


FIG. 2

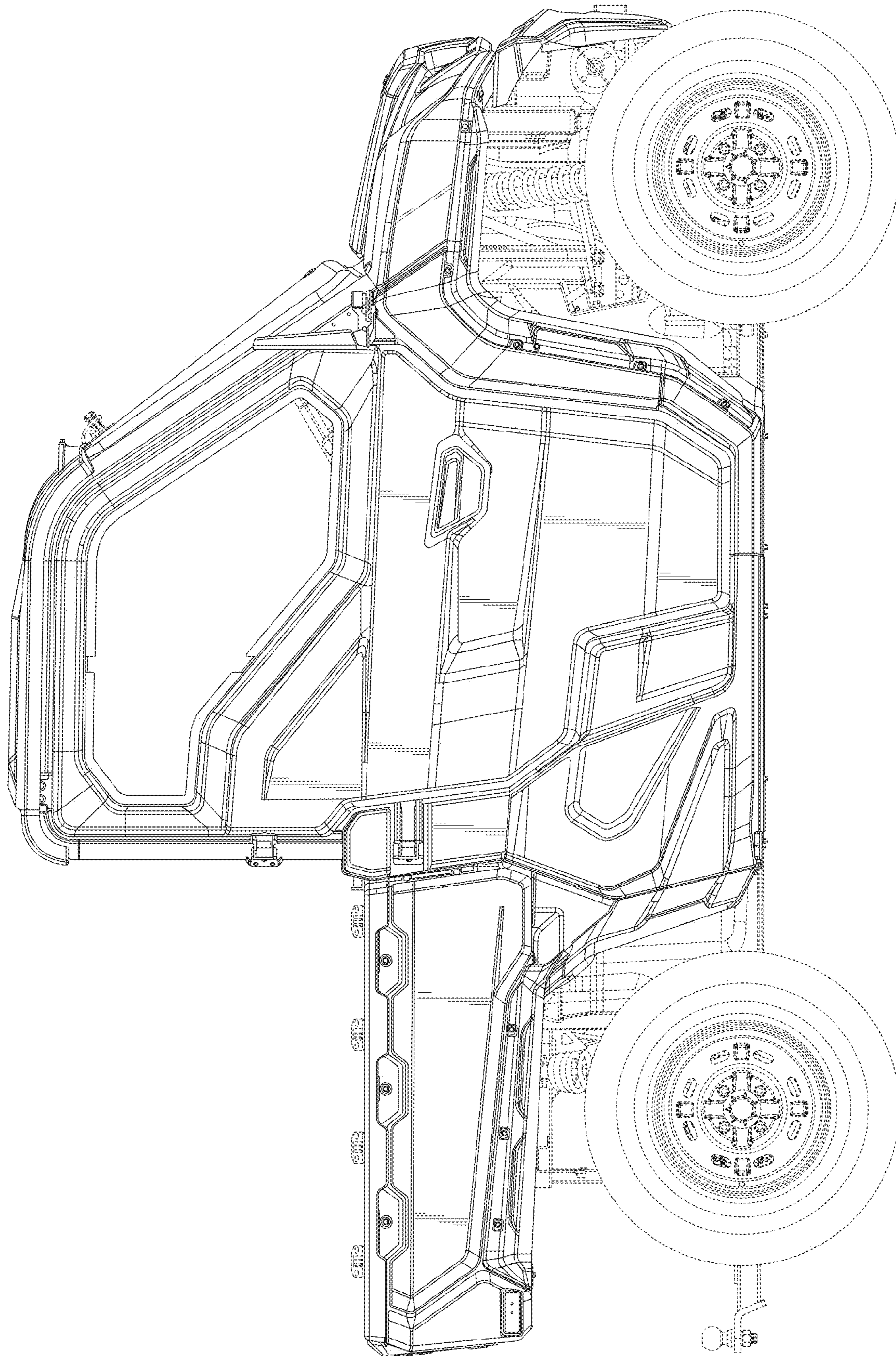


FIG. 3

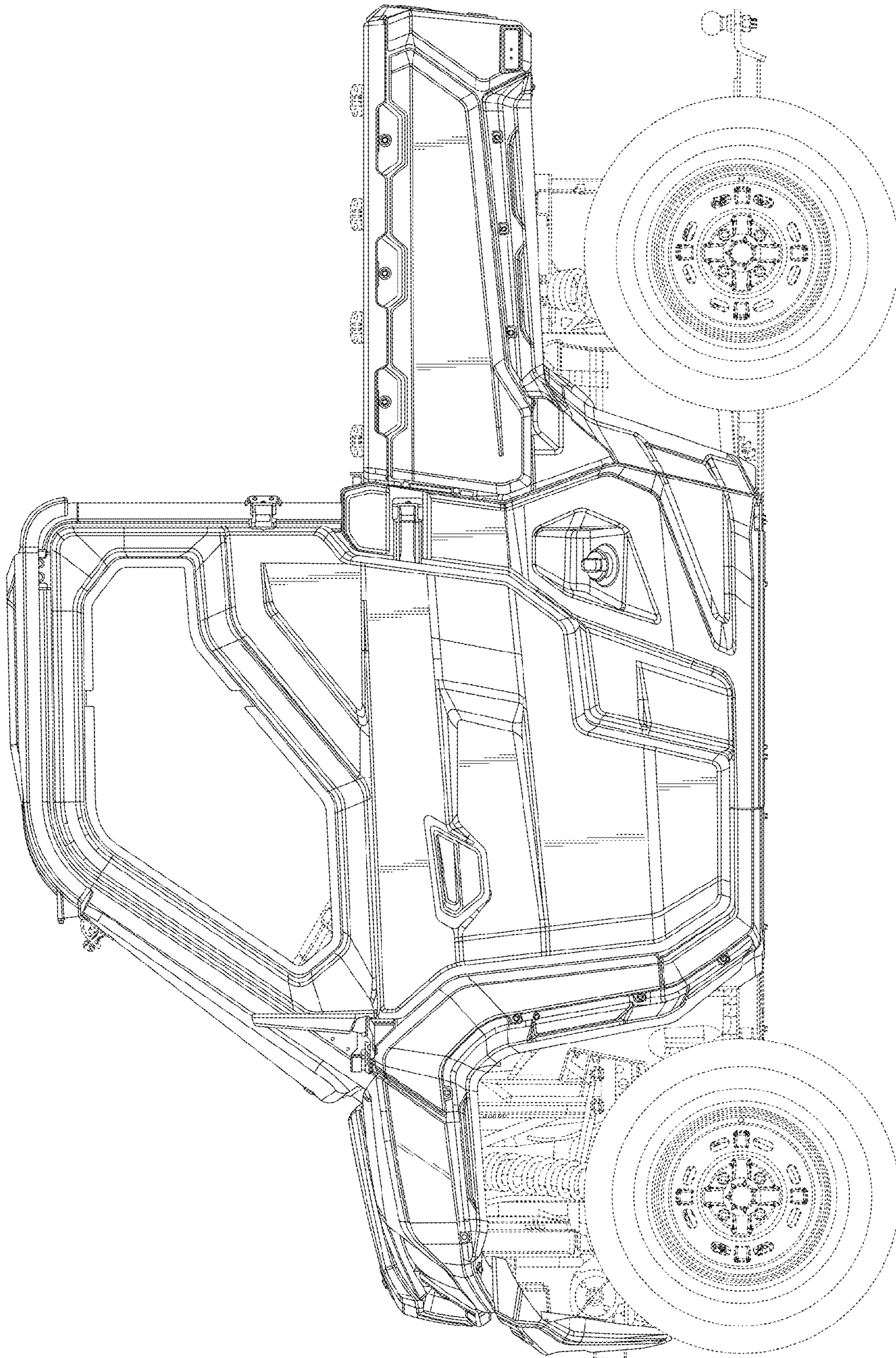


FIG. 4

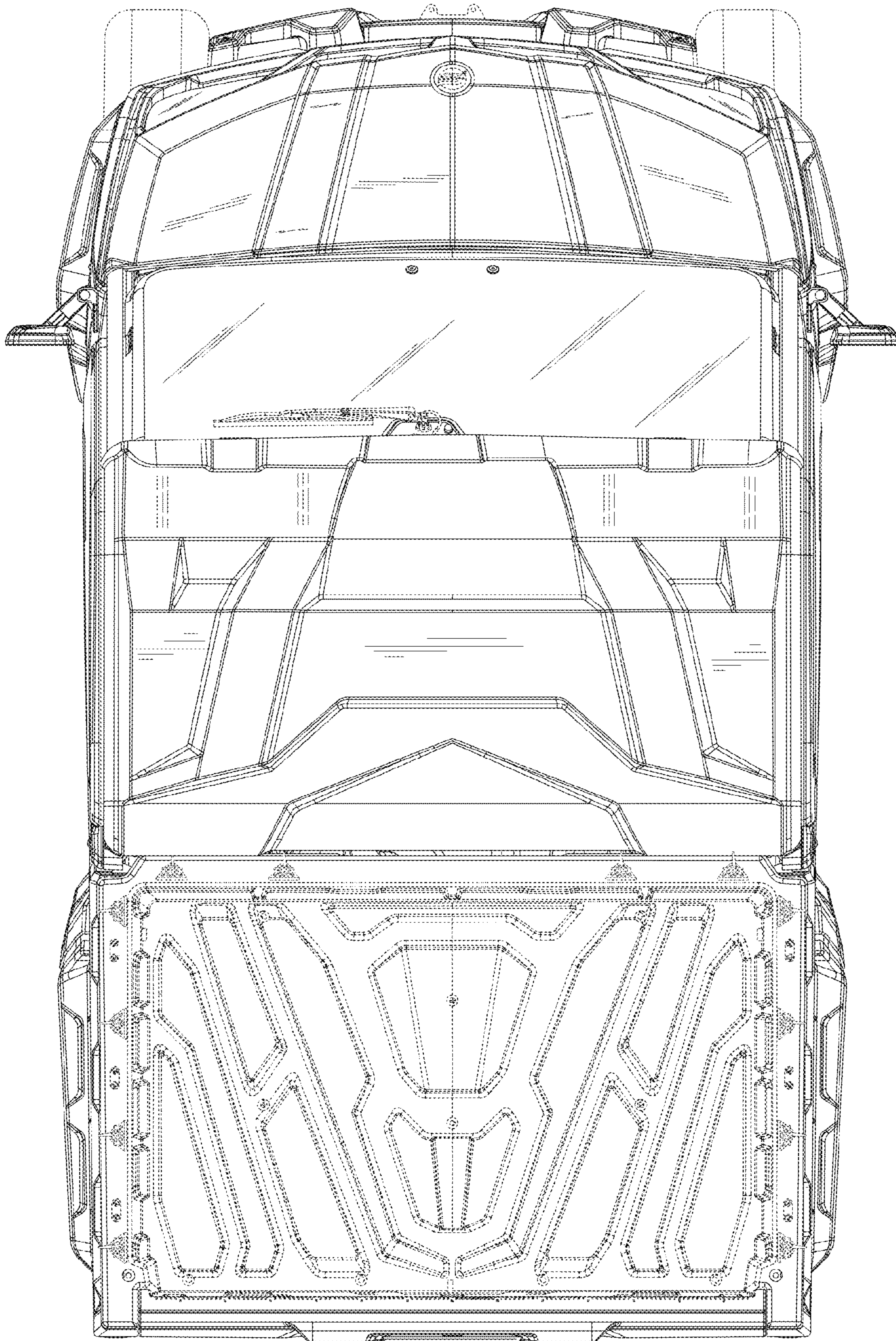


FIG. 5

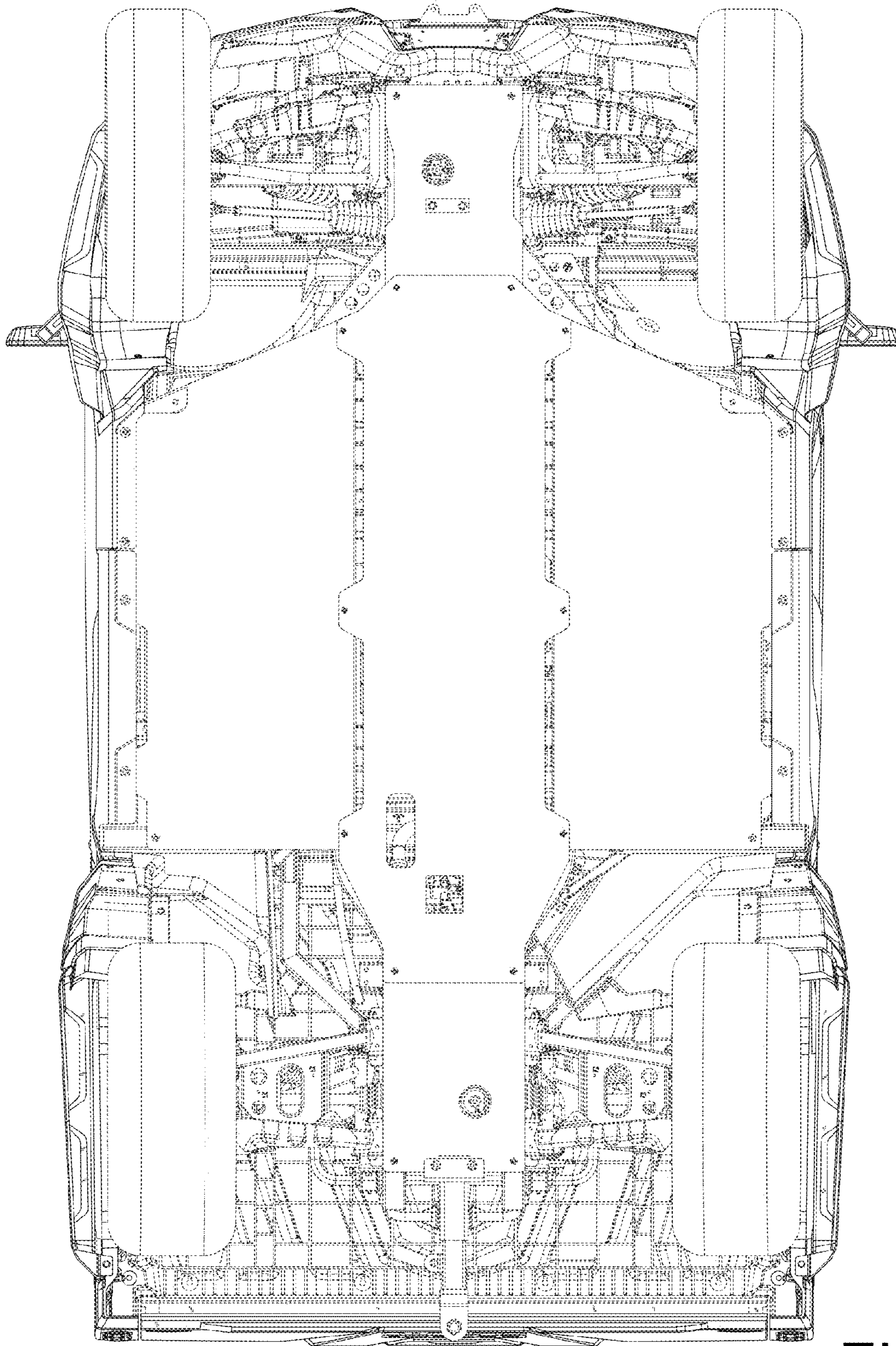


FIG. 6

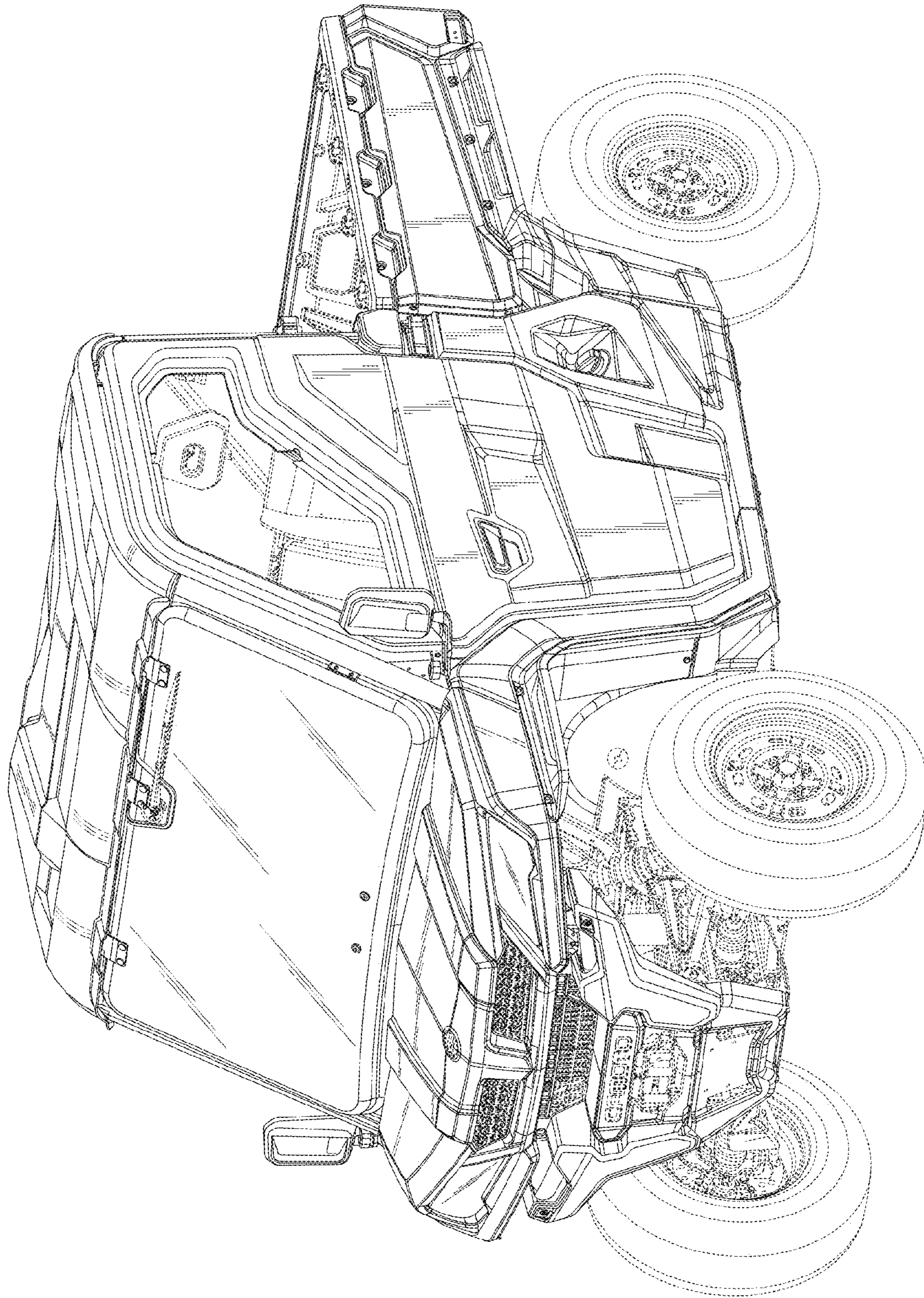


FIG. 7

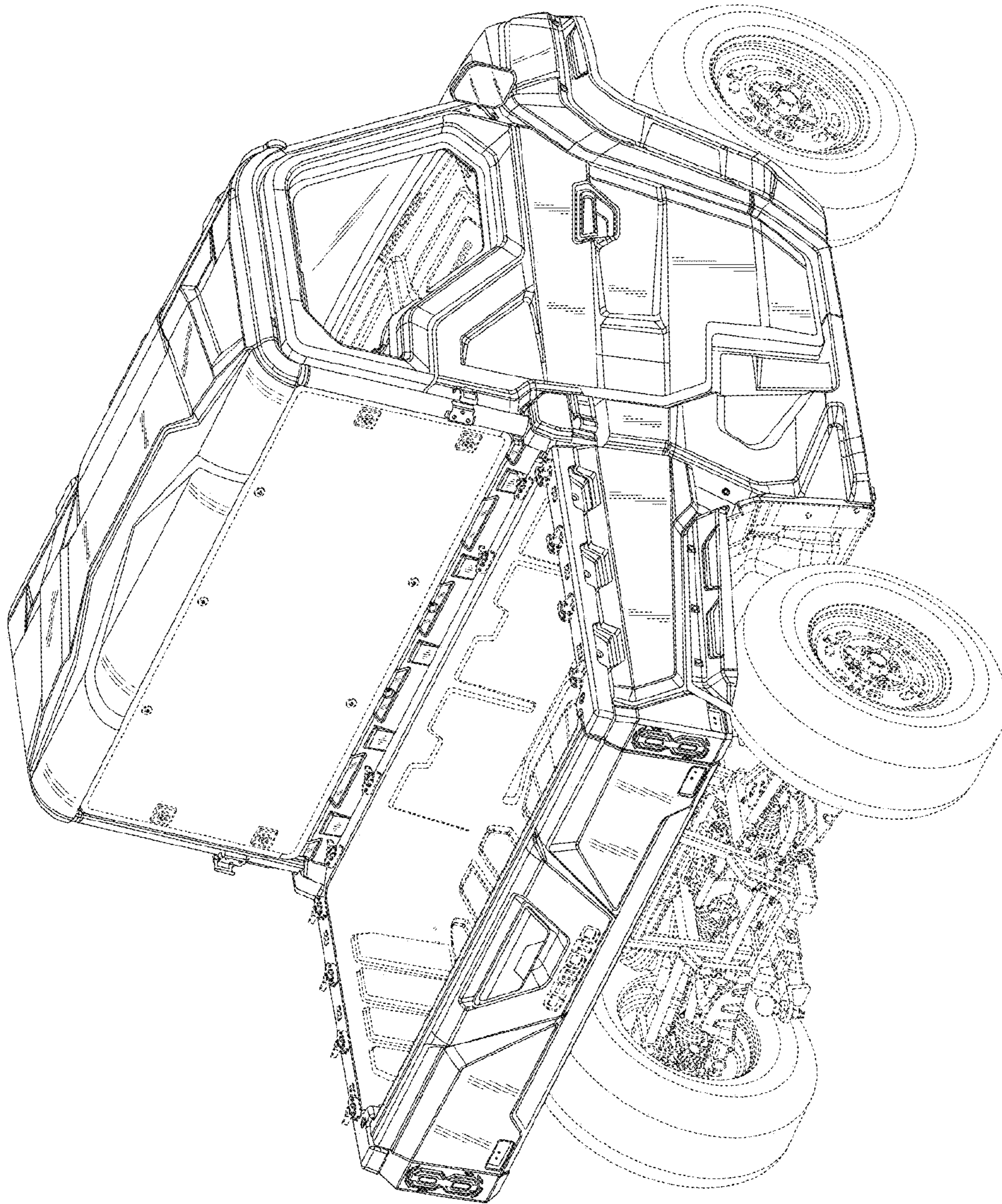


FIG. 8