



US00D904927S

(12) **United States Design Patent**
Yaari

(10) **Patent No.:** **US D904,927 S**

(45) **Date of Patent:** **** Dec. 15, 2020**

- (54) **PLANT GROWING UNIT**
- (71) Applicant: **Barak Yaari**, Miami, FL (US)
- (72) Inventor: **Barak Yaari**, Miami, FL (US)
- (**) Term: **15 Years**
- (21) Appl. No.: **29/695,830**
- (22) Filed: **Jun. 21, 2019**
- (51) **LOC (12) Cl.** **11-02**
- (52) **U.S. Cl.**
USPC **D11/155**
- (58) **Field of Classification Search**
USPC D11/143-156, 164; D3/304; D6/403,
D6/404, 405, 691.6, 691.9, 709.2, 709.22,
D6/711, 711.1; D7/550.1; D26/55
CPC ... A47G 7/00; A47G 7/02; A47G 7/04; A47G
7/06; A47G 7/08; A01G 9/02; A01G
9/021; A01G 9/029; A01G 9/0293; A01G
9/047; A01G 9/24; A01G 5/04
See application file for complete search history.

- D245,407 S * 8/1977 Ware D11/144
- 4,048,753 A * 9/1977 Roberts, Jr. A01G 31/02
47/59 R
- D281,555 S * 12/1985 Levy D6/406.6
- 4,814,752 A * 3/1989 Lehman D06F 39/081
200/61.04
- 5,337,916 A * 8/1994 Voss B65D 5/4266
229/182
- D350,862 S * 9/1994 Beller D6/691.1
- 5,427,309 A * 6/1995 Voss B65D 5/4266
229/182
- D359,930 S * 7/1995 Tuttle D11/155
- D379,716 S * 6/1997 Zipperle D3/304

(Continued)

Primary Examiner — Elizabeth A. Albert

(57) **CLAIM**

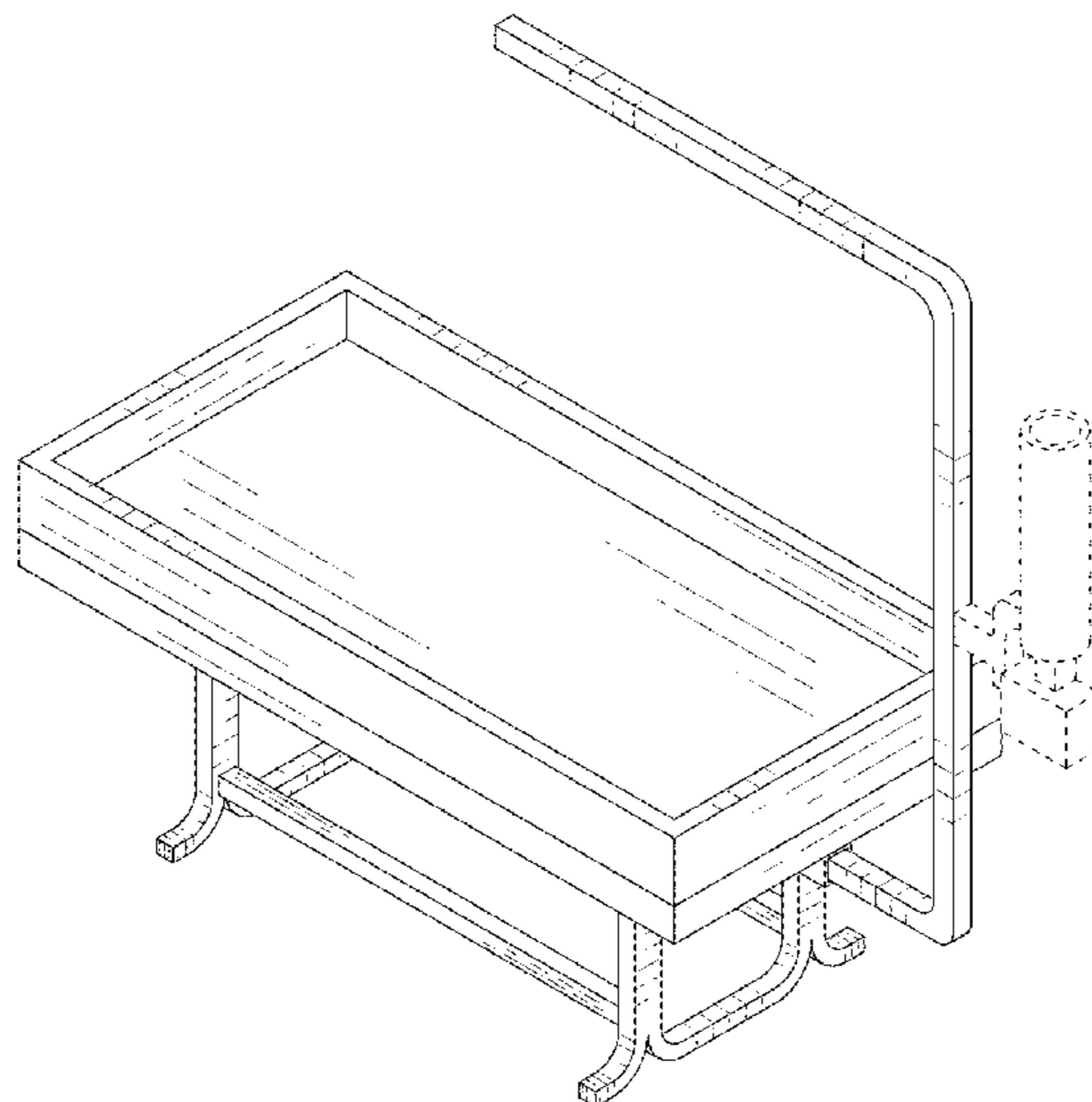
The ornamental design for a plant growing unit, as shown and described.

DESCRIPTION

FIG. 1 is a top perspective view of a plant growing unit showing my new design;
 FIG. 2 is a bottom perspective view thereof;
 FIG. 3 is a front elevational view thereof;
 FIG. 4 is a rear elevational view thereof;
 FIG. 5 is a left-side elevational view thereof;
 FIG. 6 is a right-side elevational view thereof;
 FIG. 7 is a top plan view thereof;
 FIG. 8 is a bottom plan view thereof;
 FIG. 9 a top perspective view thereof in an extended configuration; and,
 FIG. 10 a bottom perspective view thereof in the extended configuration.
 The broken lines showing the water tank, timer and handle in FIGS. 1-10 are included for the purpose of illustrating environmental structure and form no part of the claimed design.

1 Claim, 10 Drawing Sheets

- (56) **References Cited**
U.S. PATENT DOCUMENTS
- 2,634,046 A * 4/1953 Weber B65D 5/4266
229/182
- 2,896,374 A * 7/1959 Perin H01H 51/32
47/62 R
- 3,066,445 A * 12/1962 D Amico A47G 7/041
47/20.1
- 3,521,579 A * 7/1970 Stafford A47B 13/06
108/64
- 3,752,386 A * 8/1973 Froehlig B65D 5/28
229/190
- D228,606 S * 10/1973 Blount D7/552.2
- 3,772,827 A * 11/1973 Ware A01G 9/022
47/39
- D237,898 S * 12/1975 Austin et al. D11/144
- 3,990,663 A * 11/1976 Hendrickson A47B 3/06
248/188.7
- D244,838 S * 6/1977 LeBreux D11/144



(56)

References Cited

U.S. PATENT DOCUMENTS

D416,102 S * 11/1999 Schulman D11/144
D419,332 S * 1/2000 Collins D6/691.5
7,654,036 B2 * 2/2010 Shouse A01G 31/06
47/39
8,042,700 B1 * 10/2011 Smalley A47F 5/0807
211/88.01
8,416,089 B1 * 4/2013 Clary G01M 3/045
340/602
D729,115 S * 5/2015 Prinster D11/144
9,192,107 B2 * 11/2015 Adams A01G 9/02
D745,430 S * 12/2015 McLennan D11/155
D760,118 S * 6/2016 Lepp D11/142
D767,340 S * 9/2016 Lau D7/554.3
D767,638 S * 9/2016 Kuge D11/144
D771,520 S * 11/2016 Bryan, III D11/155
D779,862 S * 2/2017 Everson D6/691.1
D792,808 S * 7/2017 Verneuil D11/144
2019/0037779 A1 * 2/2019 Chirco A01G 9/12
2020/0053969 A1 * 2/2020 Gehin A01G 24/44
2020/0068809 A1 * 3/2020 Ko A01G 9/249

* cited by examiner

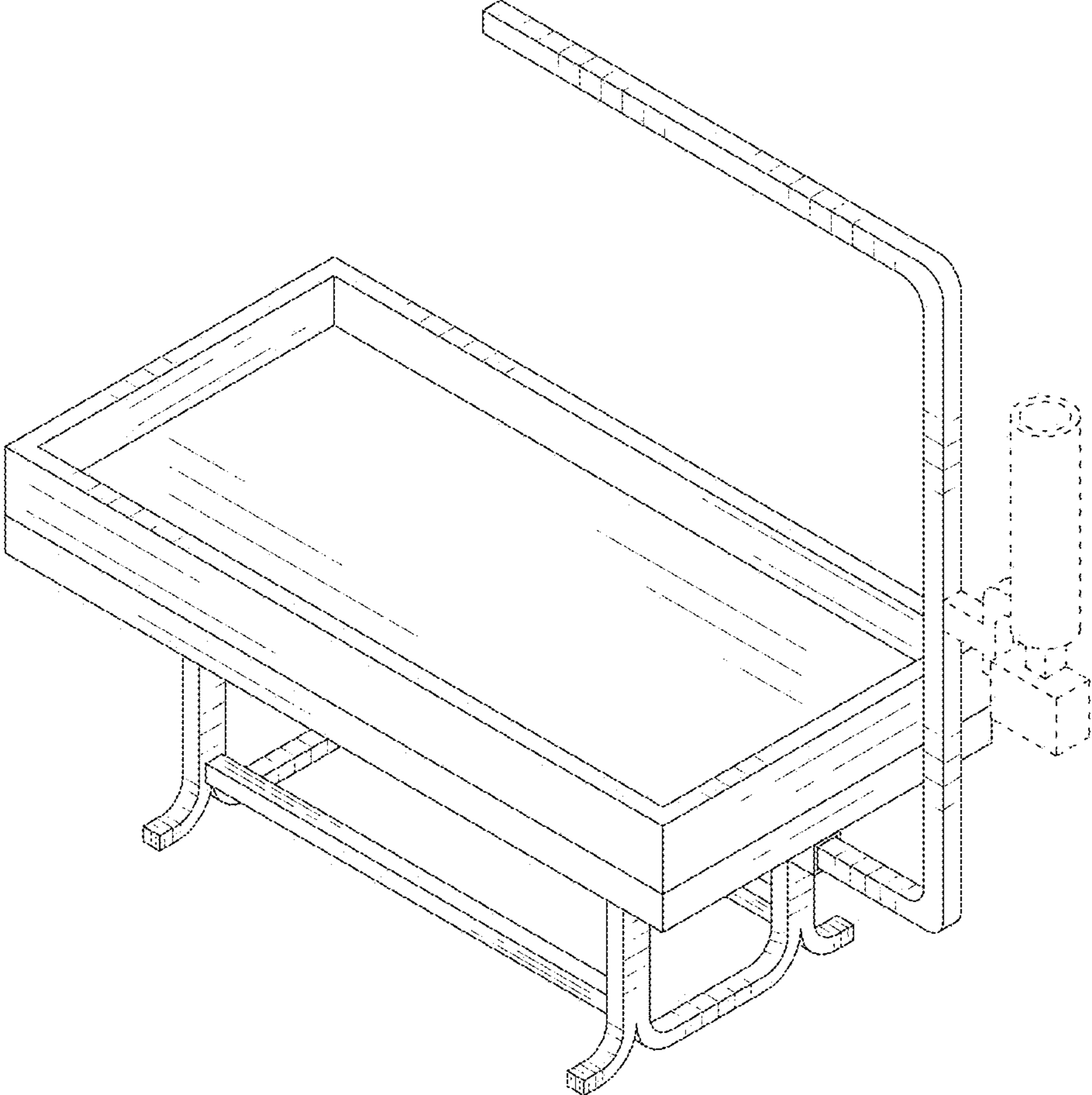


FIG. 1

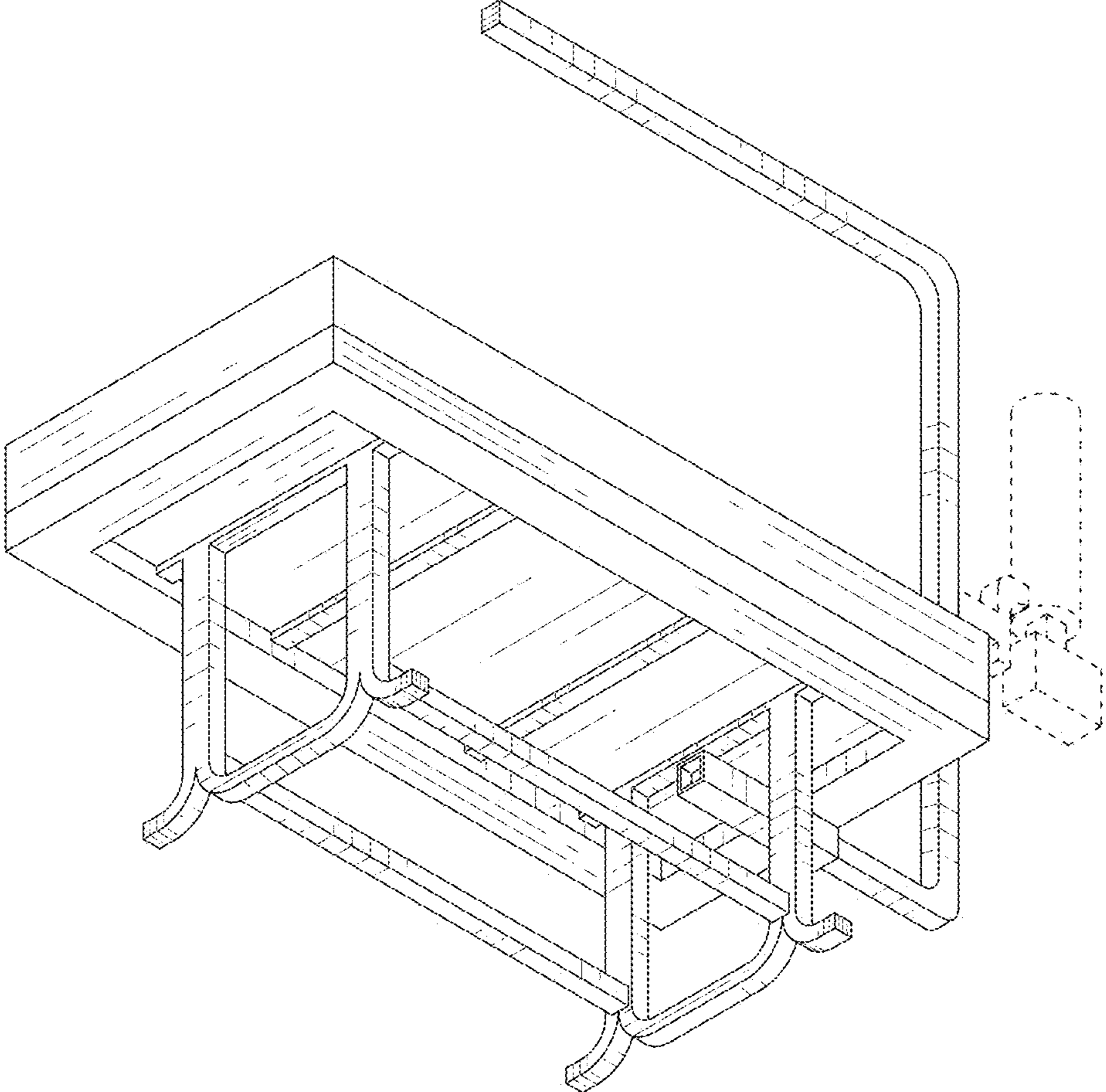


FIG. 2

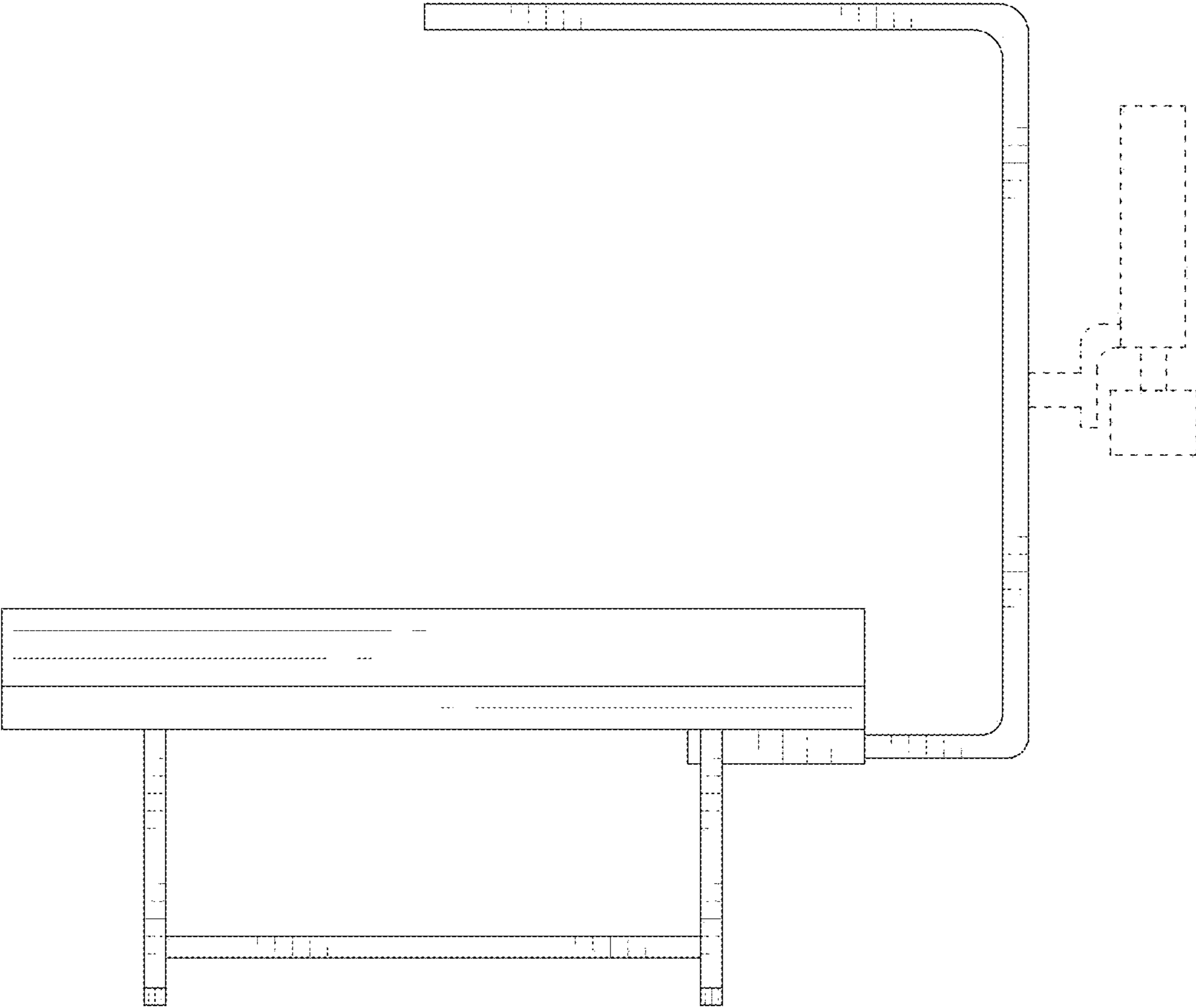


FIG. 3

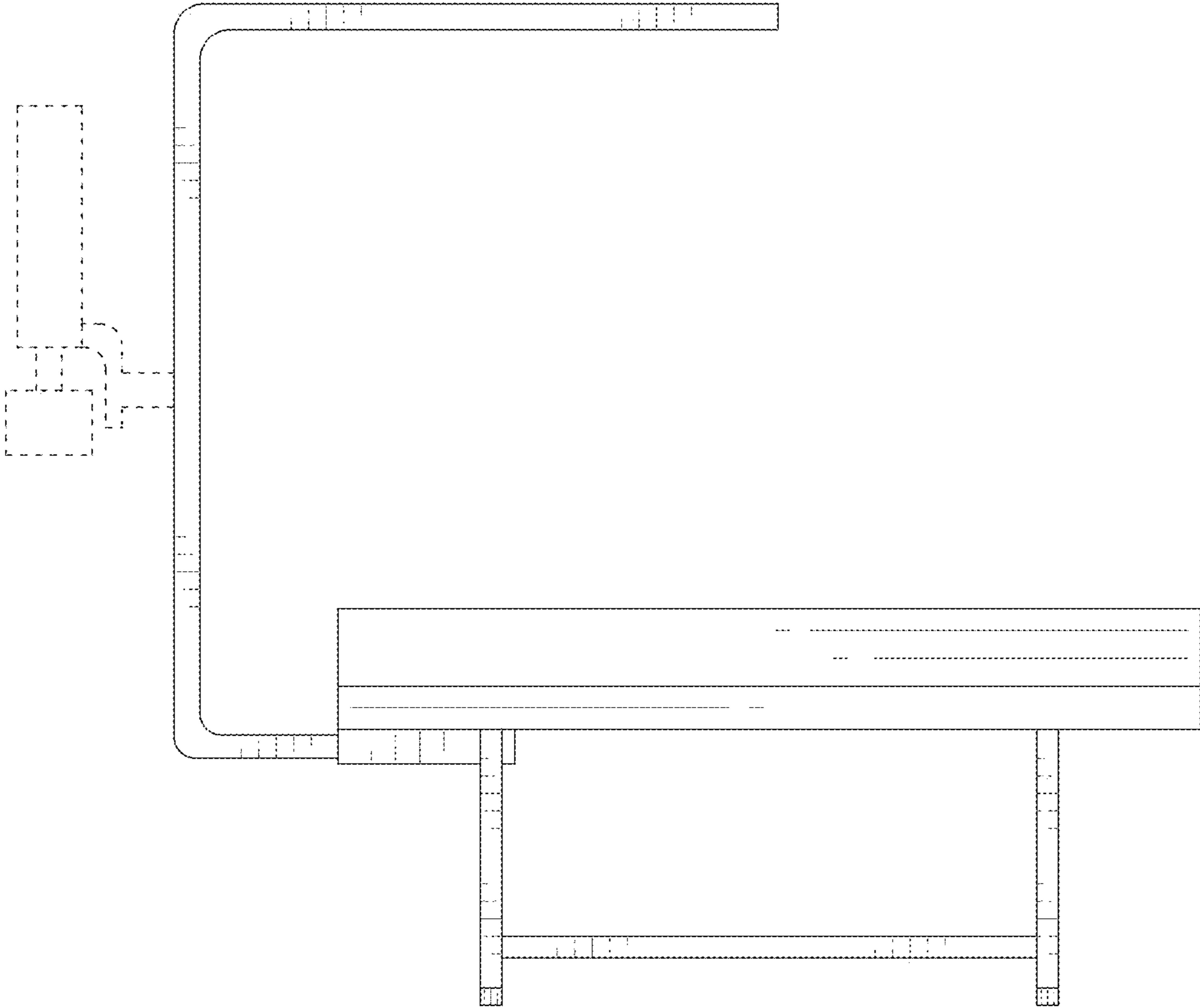


FIG. 4

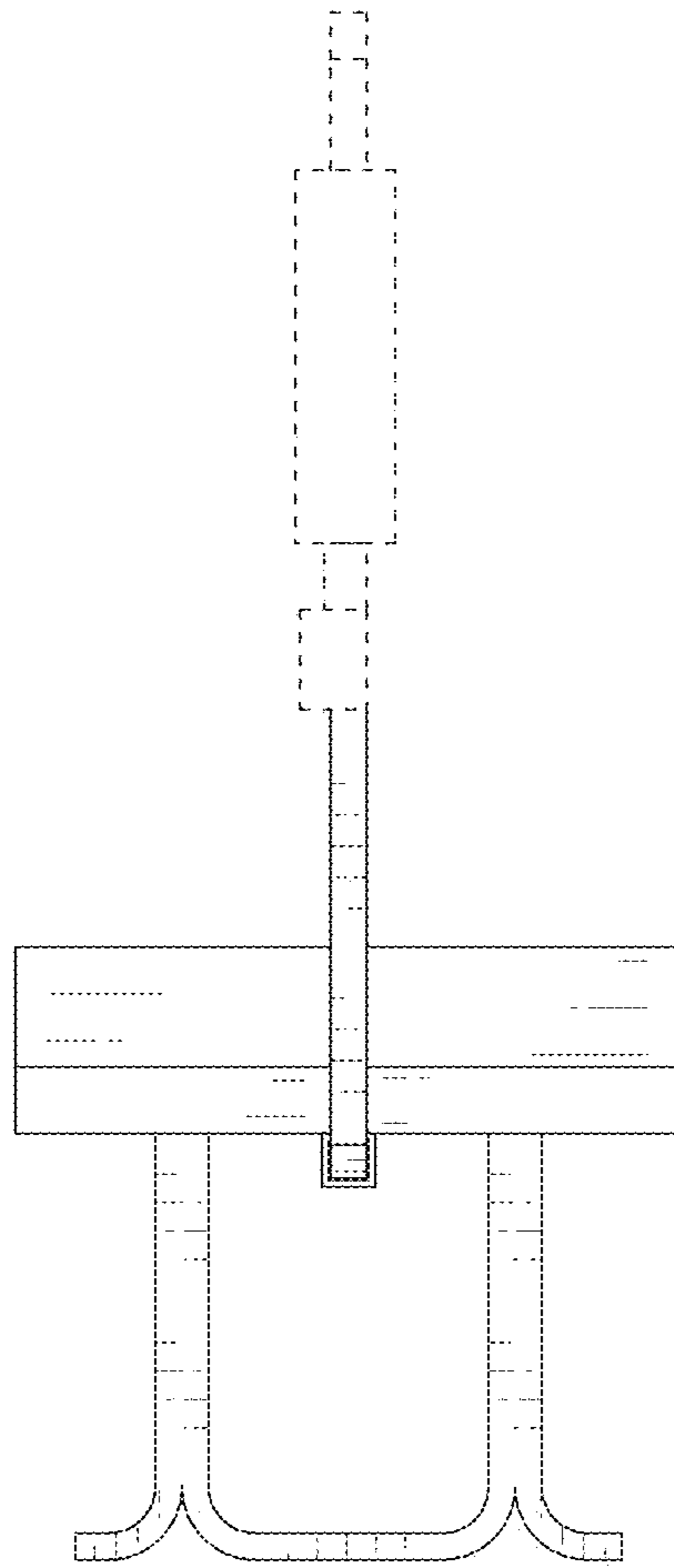


FIG. 5

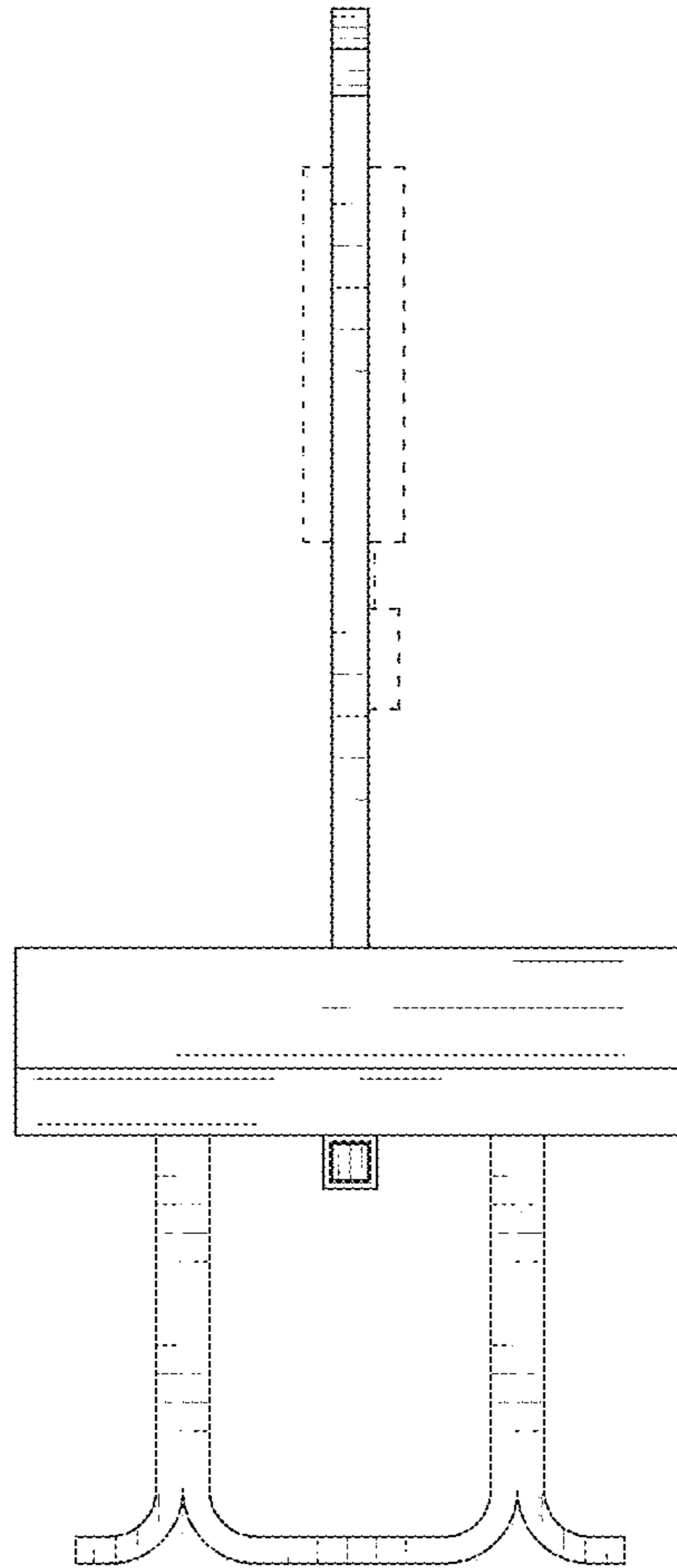


FIG. 6

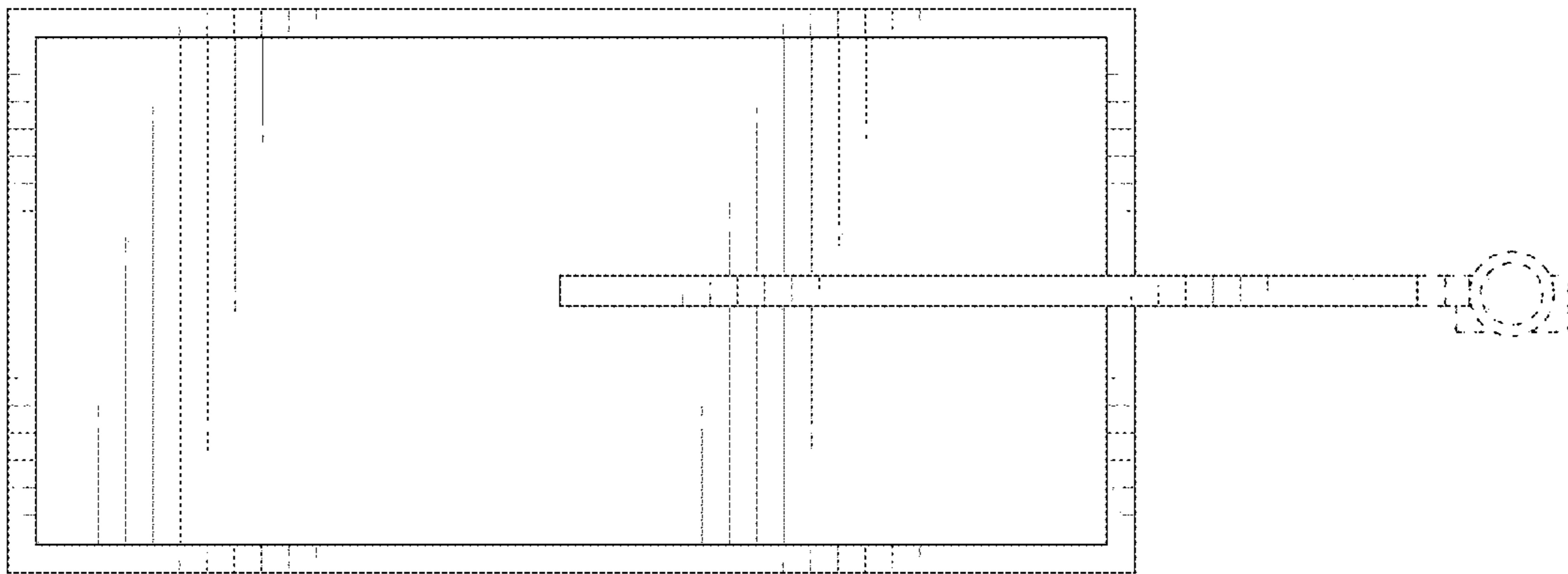


FIG. 7

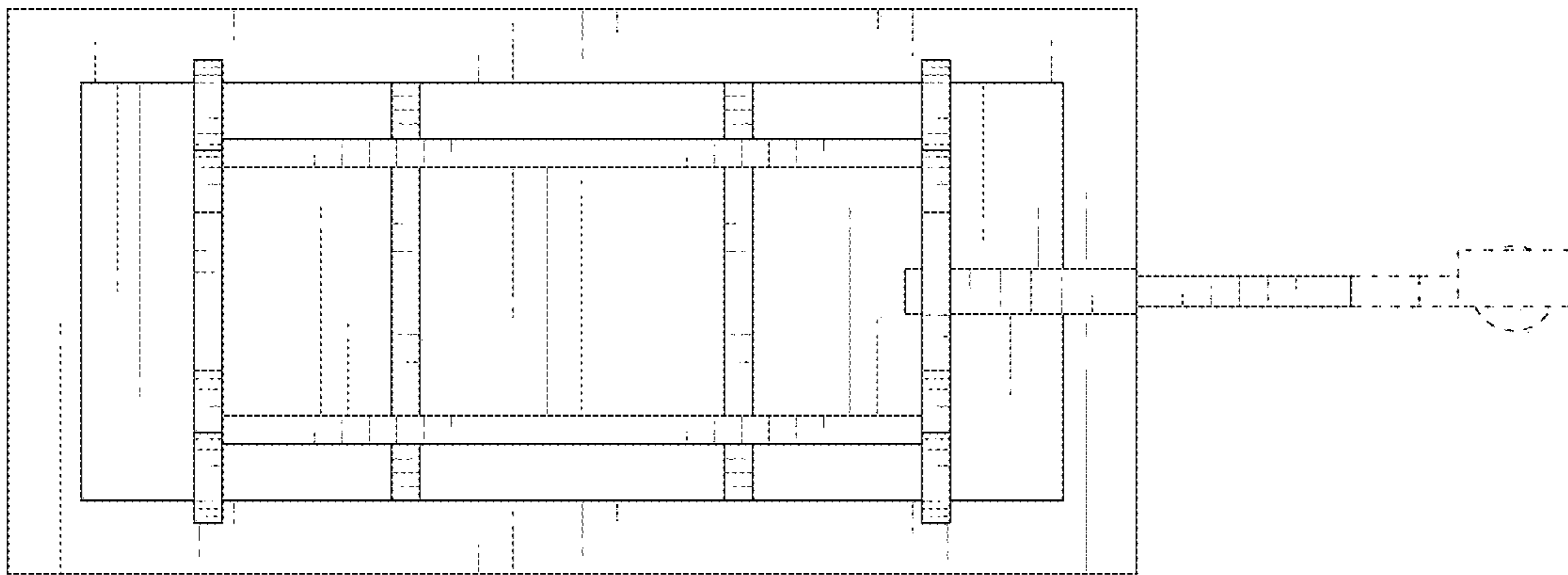


FIG. 8

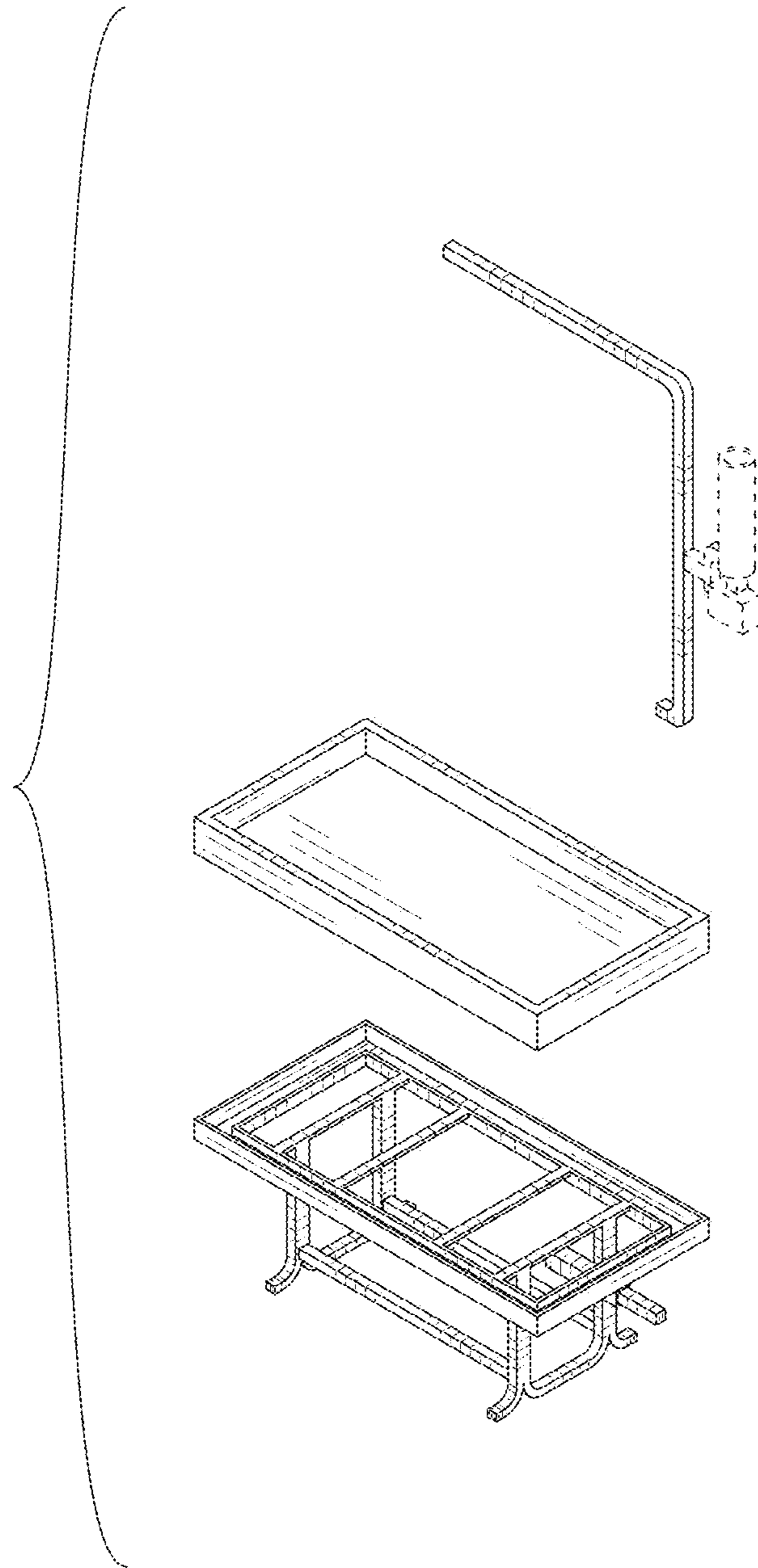


FIG. 9

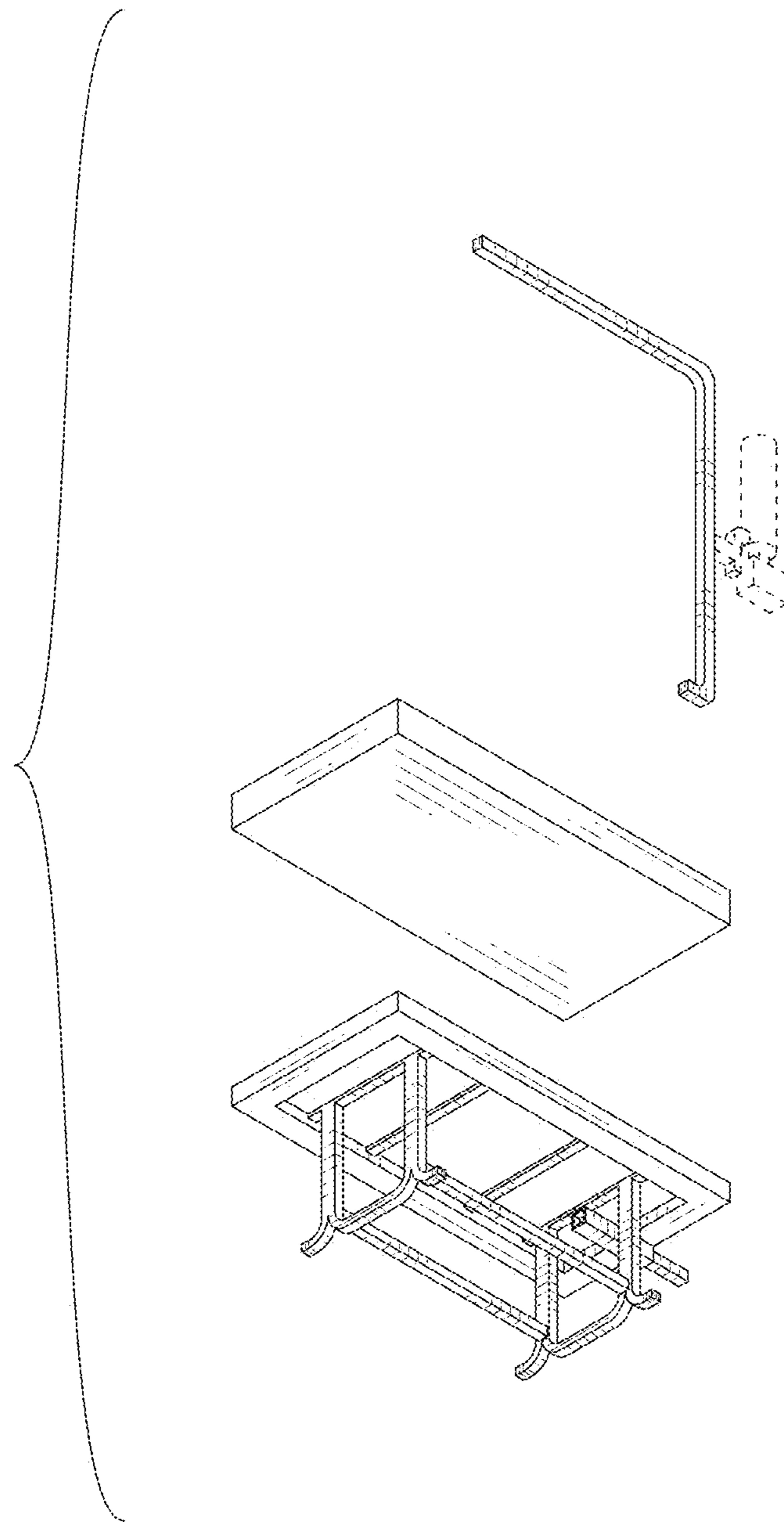


FIG. 10