



US00D904921S

(12) **United States Design Patent**
Chung et al.

(10) **Patent No.:** **US D904,921 S**
(45) **Date of Patent:** **** Dec. 15, 2020**

(54) **WRISTBAND FOR PORTABLE ELECTRONIC DEVICE**

FOREIGN PATENT DOCUMENTS

(71) Applicant: **Samsung Electronics Co., Ltd.**,
Suwon-si (KR)

CN 201530337615.9 4/2016
KR 30-2013-0047508 1/2015

(Continued)

(72) Inventors: **In-Sik Chung**, Suwon-si (KR); **Sanhui Oh**, Suwon-si (KR); **Kwang Ha Choi**, Suwon-si (KR); **Jae-Hyung Hong**, Suwon-si (KR)

OTHER PUBLICATIONS

General. "General Generic SIM/TF Bluetooth Sport Pedometer Wrist Watch A1G08 Smartwatch for Android Smartphone And Apple 5 5s 6 6 Plus (white)." [2019] www.jumia.com Apr. 22, 2019 <<https://www.jumia.com.ng/general-generic-simtf-bluetooth-sport-pedometer-wrist-watch-a1g08-smartwatch-for-android-smartphone-and-apple-5-5s-6-6-plus-white-30293392.html>>.

(Continued)

(73) Assignee: **Samsung Electronics Co., Ltd.**,
Suwon-si (KR)

(**) Term: **15 Years**

Primary Examiner — Llorellys Martinez

(21) Appl. No.: **29/688,426**

(74) *Attorney, Agent, or Firm* — NSIP Law

(22) Filed: **Apr. 22, 2019**

(30) **Foreign Application Priority Data**

Jan. 23, 2019 (KR) 30-2019-0003444

(51) **LOC (12) Cl.** **11-01**

(52) **U.S. Cl.**
USPC **D11/3; D11/87; D14/344**

(58) **Field of Classification Search**
USPC D11/1-3, 86, 87; D14/344; D24/167;
D10/31, 32
CPC A44C 5/00; A44C 5/0007; A44C 5/0015;
A44C 5/0023; A44C 5/003; A44C
5/0053; A44C 5/14; A44C 5/16; A44C
5/2052; A44C 5/2057; A44C 5/2071
See application file for complete search history.

(57) **CLAIM**

We claim the ornamental design for a wristband for portable electronic device, as shown and described.

DESCRIPTION

FIG. 1 is a front perspective view of a wristband for portable electronic device showing our new design;
FIG. 2 is a front view thereof;
FIG. 3 is a rear view thereof;
FIG. 4 is a left side view thereof;
FIG. 5 is a right side view thereof;
FIG. 6 is a top view thereof;
FIG. 7 is a bottom view thereof;
FIG. 8 is a rear perspective view thereof; and,
FIG. 9 is a cross-sectional view thereof taken vertically through line 9-9 in FIG. 2.

The dash-dash broken lines in the drawing figures depict portions of the wristband for portable electronic device that form no part of the claimed design. The dot-dash broken lines in the drawing figures represent a boundary of the claimed design and form no part thereof.

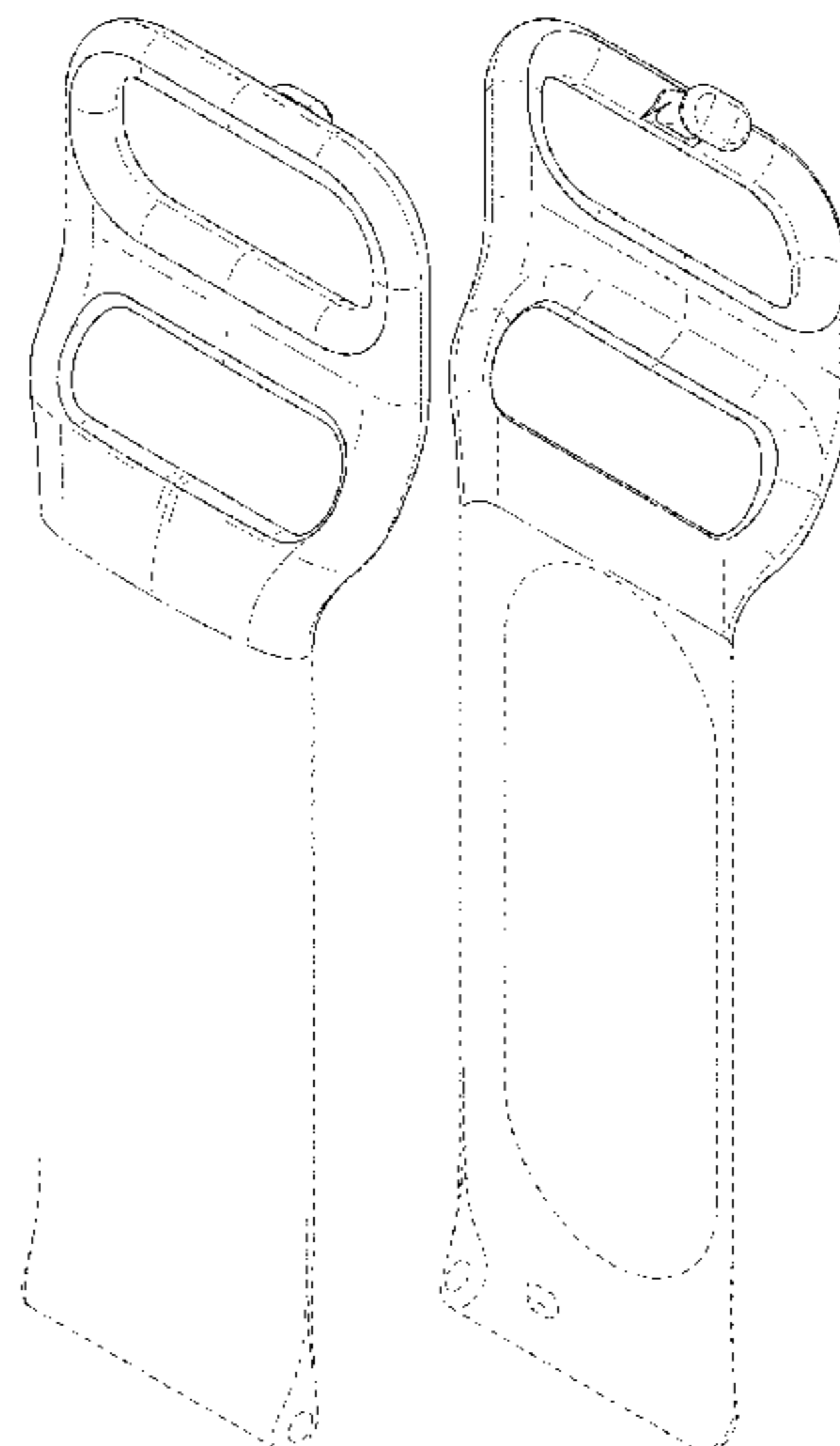
(56) **References Cited**

U.S. PATENT DOCUMENTS

D152,417 S * 1/1949 Glass D11/3
D727,197 S * 4/2015 Akana D11/3
D747,997 S * 1/2016 Akana D11/3
D756,822 S * 5/2016 Akana D10/32

(Continued)

1 Claim, 9 Drawing Sheets



(56)

References Cited

U.S. PATENT DOCUMENTS

D795,120 S * 8/2017 Bayley D11/3
D795,731 S * 8/2017 Bayley D11/3
D821,246 S * 6/2018 Akana D11/3
D824,273 S * 7/2018 Akana D11/3
D858,515 S * 9/2019 Akana D14/344
D875,728 S * 2/2020 Wu D14/344
D881,059 S * 4/2020 Schowalter D11/3
D881,060 S * 4/2020 Wang D11/3
D881,876 S * 4/2020 Xiao D14/344
D884,695 S * 5/2020 Jones D14/344
D894,179 S * 8/2020 Chung D14/344
2018/0017943 A1 * 1/2018 Huang A44C 5/0023
2020/0205530 A1 * 7/2020 Hinds A44C 5/14

FOREIGN PATENT DOCUMENTS

KR 30-2018-0002969 11/2018
KR 30-2018-0003695 11/2018

OTHER PUBLICATIONS

Bouchard, Anthony. "Nike's new sneaker-matching Apple Watch bands now available for purchase." [2017] www.idownloadblog.com Jun. 1, 2017 <<https://www.idownloadblog.com/2017/06/01/nikes-new-sneaker-matching-apple-watch-bands-are-available-for-purchase/>>.

Sylvito06. "Sony SmartWatch 3 SWR50—Montre intelligente—affichage 1.6"—4 Go—Wi-Fi, NFC, Bluetooth—45 g—noir Sony"[2019] www.fr.shopping.rakuten.com Apr. 22, 2019 <<https://fr.shopping.rakuten.com/offer/buy/440620604/sony-smartwatch-3-swr50-noir.html>>.

* cited by examiner

FIG. 1

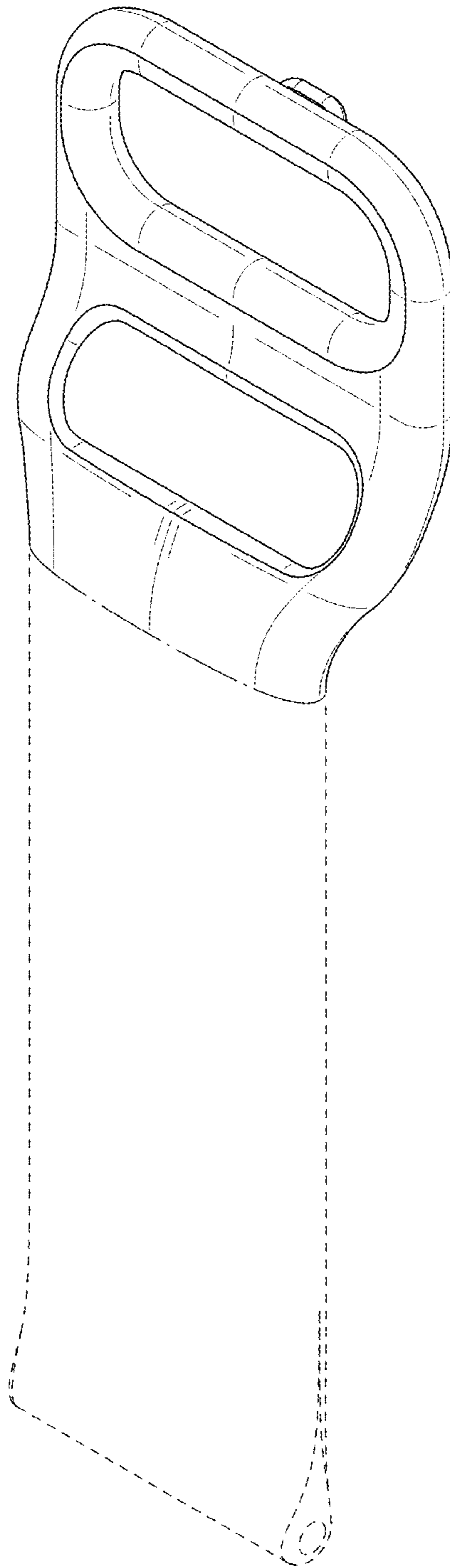


FIG. 2

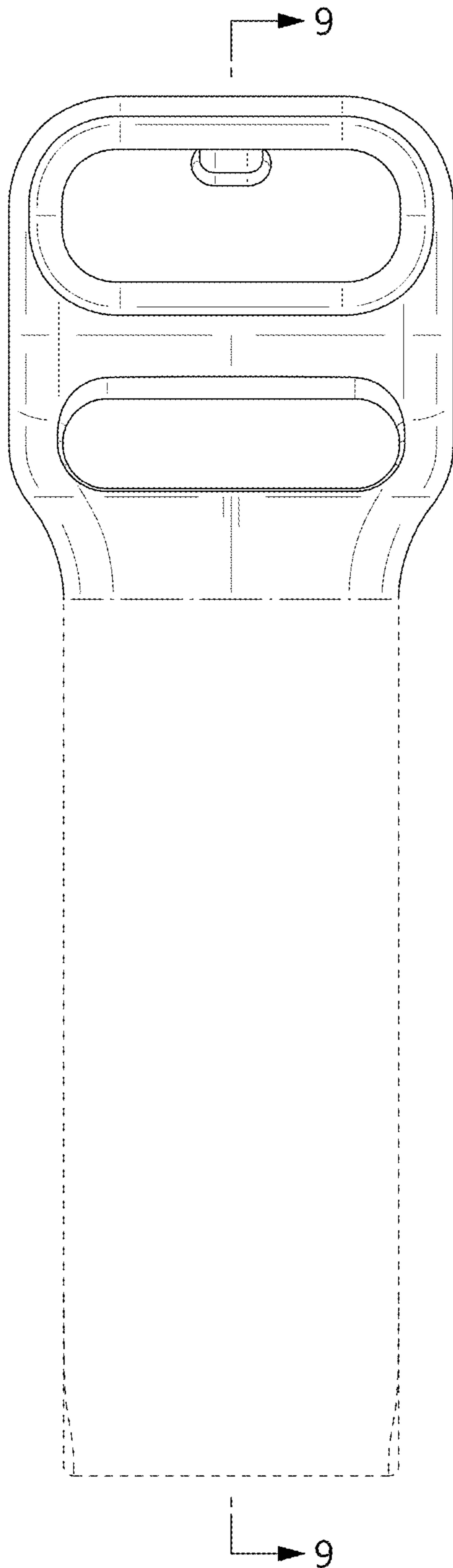


FIG. 3

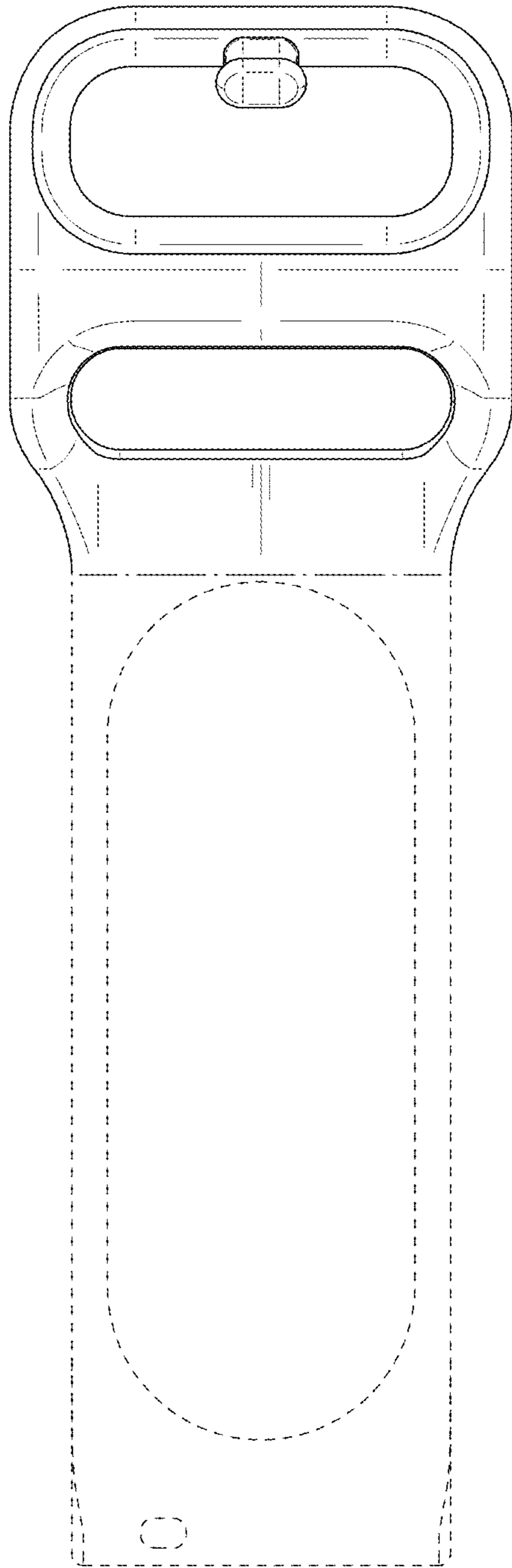


FIG. 4

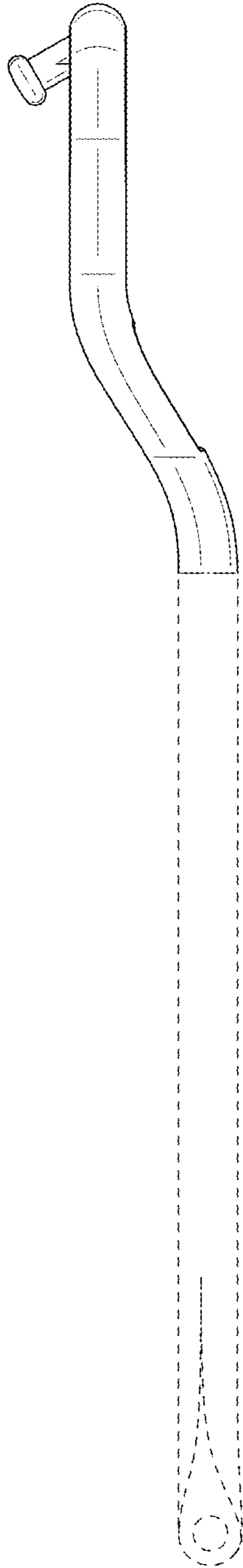


FIG. 5

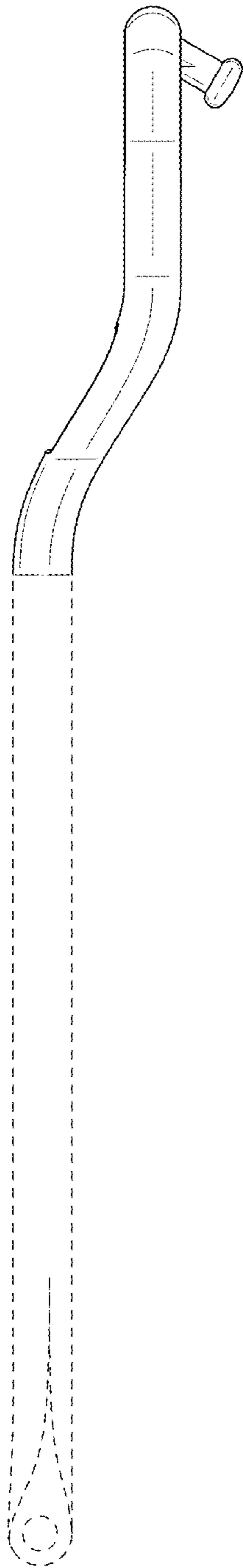


FIG. 6

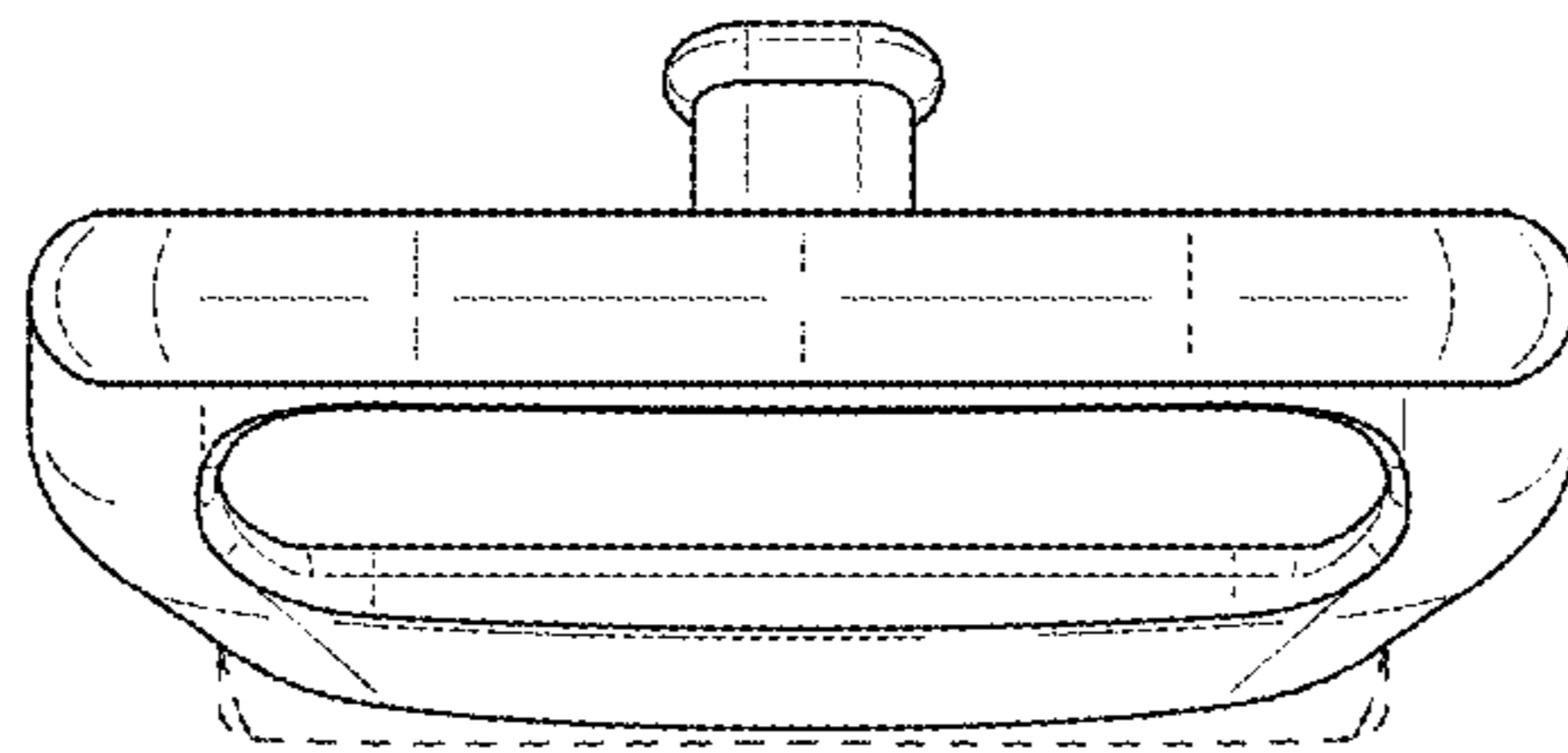


FIG. 7

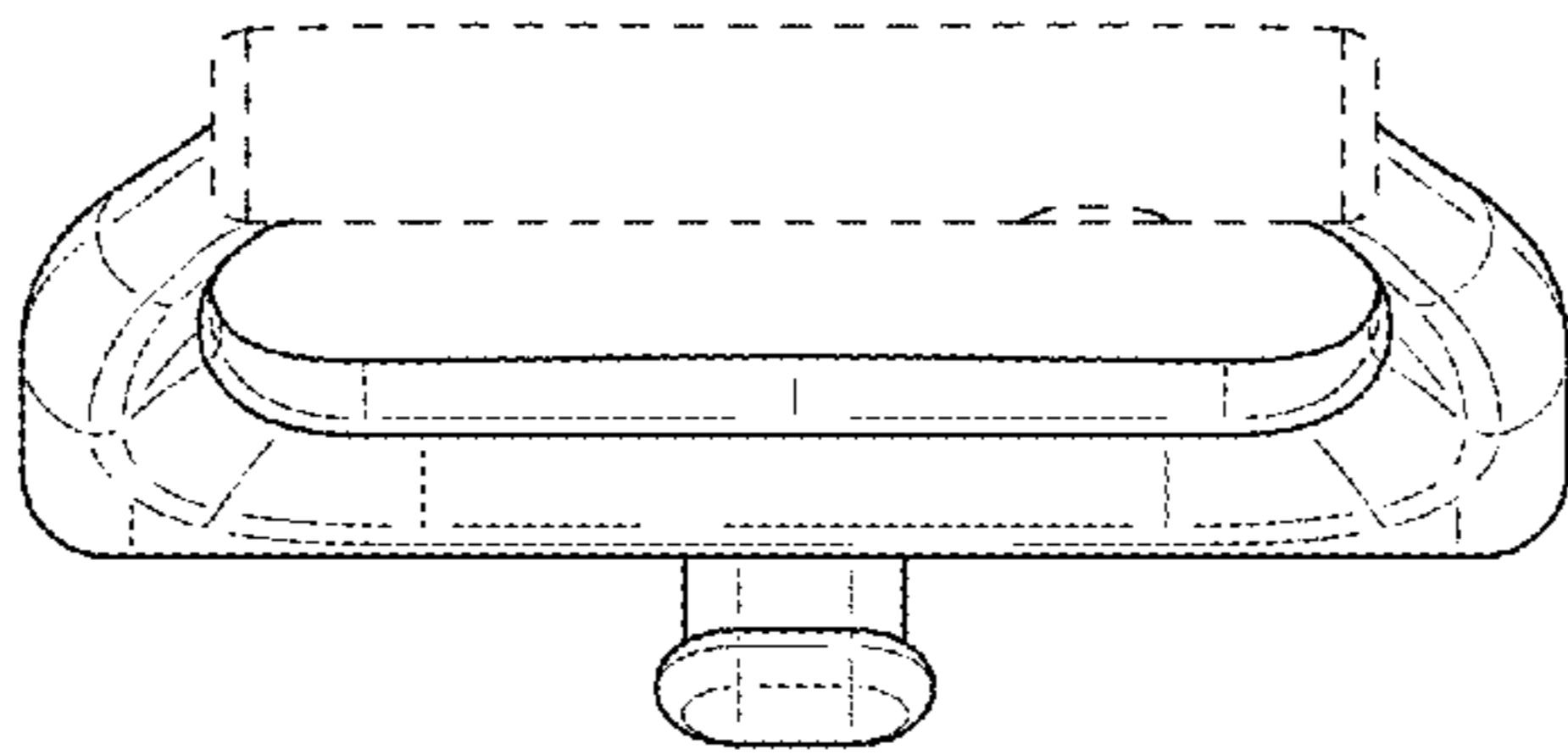


FIG. 8

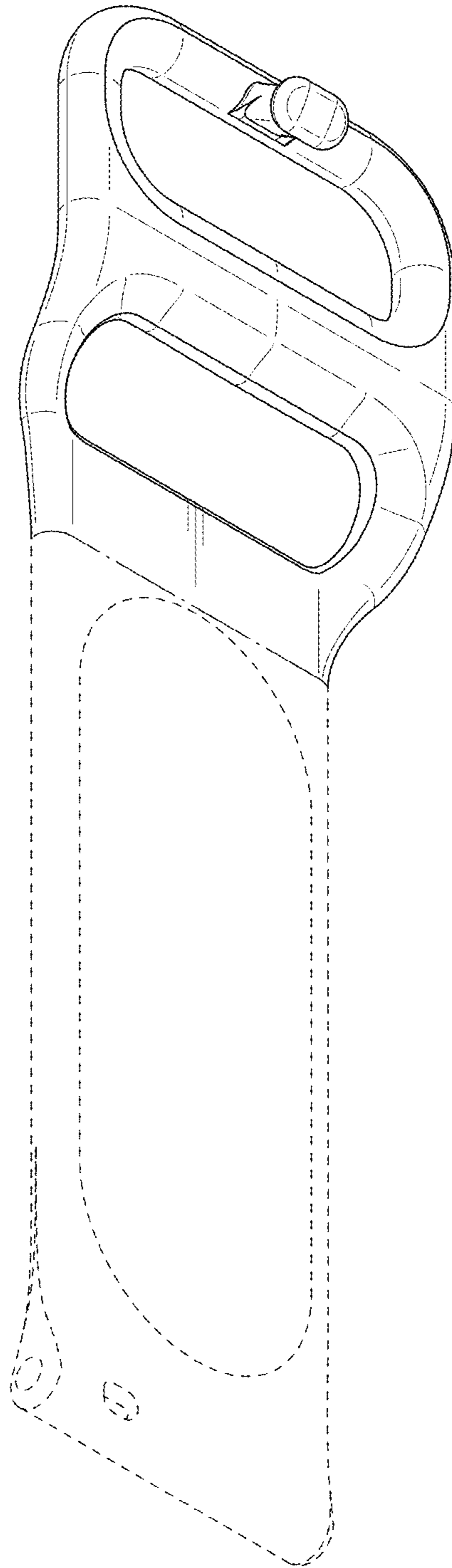


FIG. 9

