



US00D904920S

(12) **United States Design Patent**
Harms et al.

(10) **Patent No.:** **US D904,920 S**

(45) **Date of Patent:** **** Dec. 15, 2020**

(54) **WRISTBAND FOR TRACKING FITNESS**

(71) Applicant: **Google LLC**, Mountain View, CA (US)

(72) Inventors: **Hannes Harms**, San Francisco, CA (US); **Ben Robertson**, San Francisco, CA (US); **Jessica Choi**, San Francisco, CA (US); **Dustin Lee**, San Francisco, CA (US); **Claude Zellweger**, San Francisco, CA (US); **Idil Girard**, Santa Clara, CA (US); **Casey Peterson**, Santa Cruz, CA (US); **Jon Godston**, San Francisco, CA (US); **Simon Quay**, Portland, OR (US)

(73) Assignee: **Google LLC**, Mountain View, CA (US)

(**) Term: **15 Years**

(21) Appl. No.: **29/686,854**

(22) Filed: **Apr. 8, 2019**

(51) **LOC (12) Cl.** **11-01**

(52) **U.S. Cl.**
USPC **D11/3; D14/344; D24/167**

(58) **Field of Classification Search**
USPC **D11/1-18; D10/31, 32, 38; D14/344; D24/167**
CPC **A44C 5/00; A44C 5/0007; A44C 5/0015; A44C 5/0046; A44C 5/0053; A44C 5/0061; A44C 5/0069; A44C 5/0076; A44C 5/0084; A44C 5/0092; A44C 5/02; A44C 5/12; A44C 5/14; A44C 5/142; A44C 5/145; A44C 5/147; A44C 5/16; A44C 15/00; A44C 15/005**

See application file for complete search history.

(56) **References Cited**

U.S. PATENT DOCUMENTS

D279,276 S * 6/1985 Matsuo D11/4
D279,555 S * 7/1985 Matsuo D11/4

D293,300 S * 12/1987 Nikaido D10/32
D295,965 S * 5/1988 Murphy D10/32
D296,993 S * 8/1988 Givings D10/32
D301,840 S * 6/1989 Houlihan D10/30
D324,340 S * 3/1992 Houlihan D10/32
D324,341 S * 3/1992 Houlihan D10/32
D345,926 S * 4/1994 Houlihan D10/32

(Continued)

Primary Examiner — Llorelys Martinez

(74) *Attorney, Agent, or Firm* — Lerner, David, Littenberg, Krumholz & Mentlik, LLP

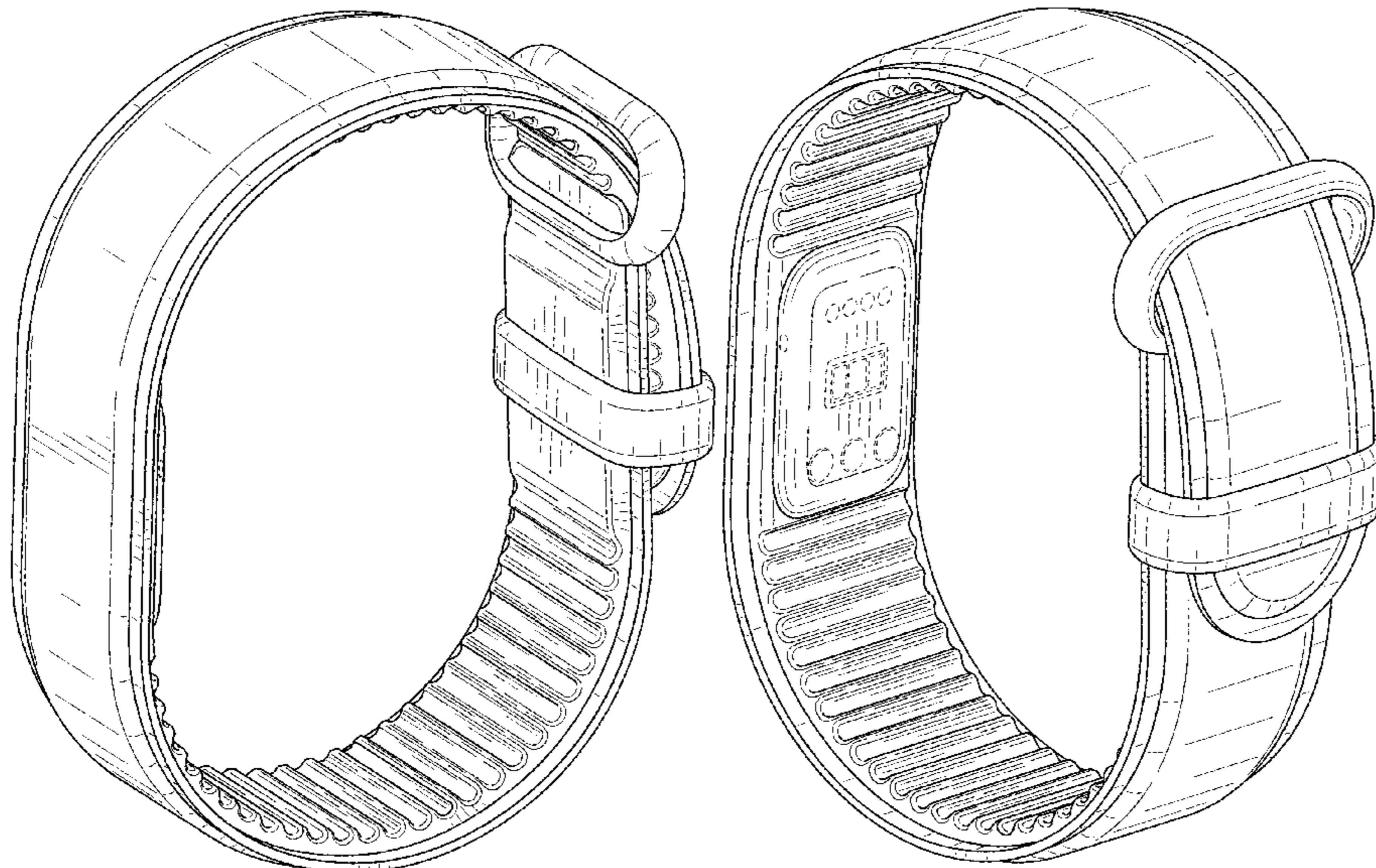
(57) **CLAIM**

The ornamental design for a wristband for tracking fitness, as shown and described.

DESCRIPTION

FIG. 1 is a front right perspective view of a wristband for tracking fitness, showing our new design in an open position;
FIG. 2 is a front elevation view thereof;
FIG. 3 is a rear elevation view thereof;
FIG. 4 is a right side elevational view thereof;
FIG. 5 is a left side elevational view thereof;
FIG. 6 is a top plan view thereof;
FIG. 7 is a bottom plan view thereof;
FIG. 8 is a front right perspective view of the bottom thereof;
FIG. 9 is a right perspective view of the wristband for tracking fitness of FIG. 1, shown in a folded position;
FIG. 10 is a front elevation view thereof;
FIG. 11 is a rear elevation view thereof;
FIG. 12 is a right side elevational view thereof;
FIG. 13 is a left side elevational view thereof;
FIG. 14 is a top plan view thereof;
FIG. 15 is a bottom plan view thereof; and,
FIG. 16 is a right rear perspective view thereof.
The broken lines in the drawings represent environmental subject matter only and form no part of the claimed design.

1 Claim, 11 Drawing Sheets



(56)

References Cited

U.S. PATENT DOCUMENTS

D353,119 S * 12/1994 Greeley D11/3
D390,492 S * 2/1998 Riley D11/5
D738,772 S * 9/2015 Choi D11/3
D767,436 S * 9/2016 Goodner D11/3
D793,271 S * 8/2017 Cerrato D11/3
D805,643 S * 12/2017 Wu D24/167
D809,414 S * 2/2018 Komulainen D11/3
D812,608 S * 3/2018 Jones D14/344
D818,855 S * 5/2018 Tooze D14/344
D824,033 S * 7/2018 Masuyama D24/167
D826,763 S * 8/2018 Chuang D11/3
D843,997 S * 3/2019 Yu D14/344
D853,881 S * 7/2019 Akana D11/3
D856,160 S * 8/2019 Yu D10/32
D861,677 S * 10/2019 Wu D14/344
D862,460 S * 10/2019 Zhang D14/344
D864,011 S * 10/2019 Moon D11/3
D865,759 S * 11/2019 Haranaka D14/344
D868,454 S * 12/2019 Moreau D3/215
D875,728 S * 2/2020 Wu D14/344
D881,876 S * 4/2020 Xiao D14/344
D883,840 S * 5/2020 Schowalter D11/3
D884,695 S * 5/2020 Jones D14/344

* cited by examiner

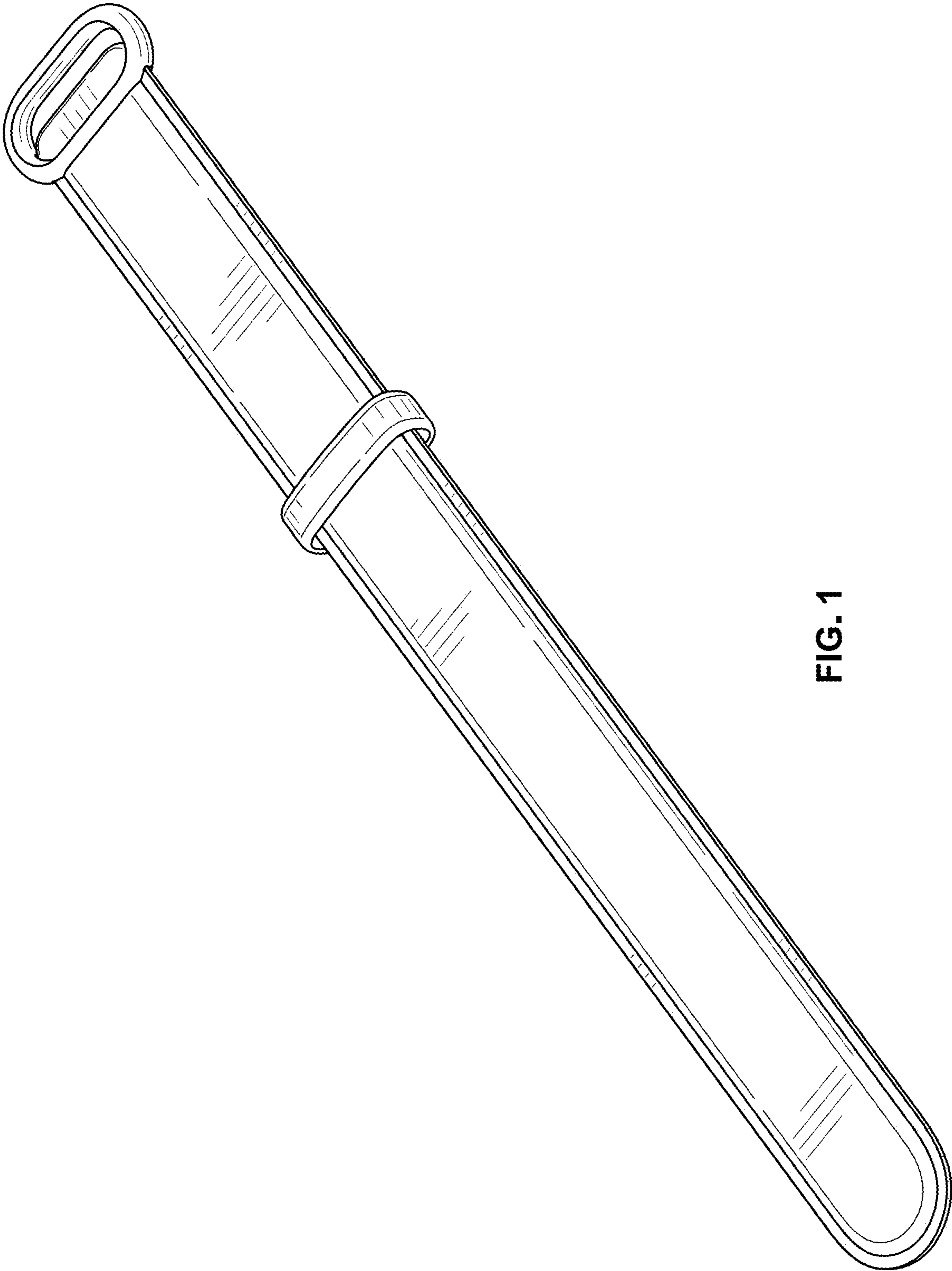


FIG. 1

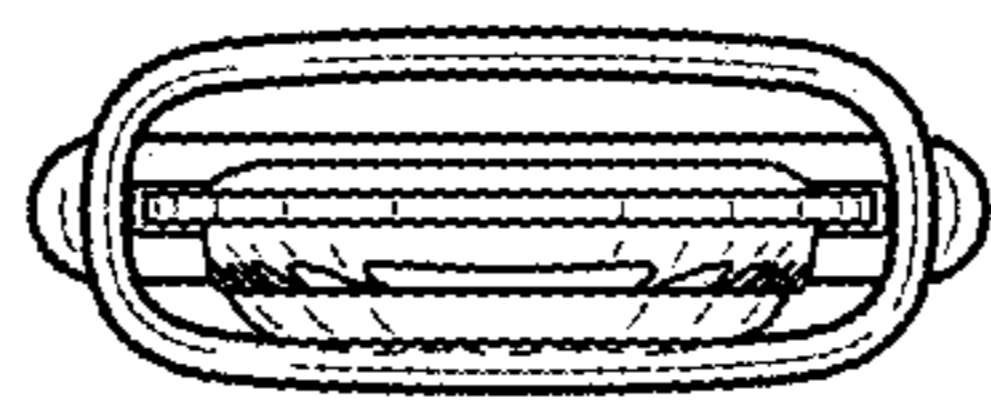


FIG. 2

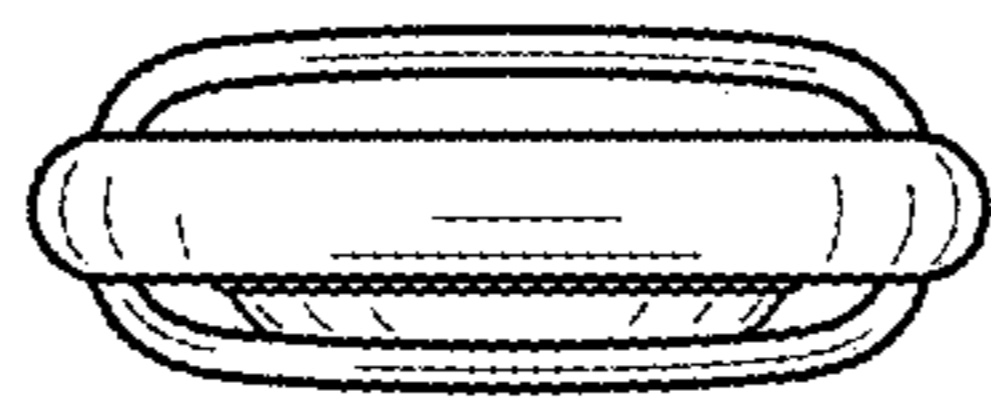


FIG. 3

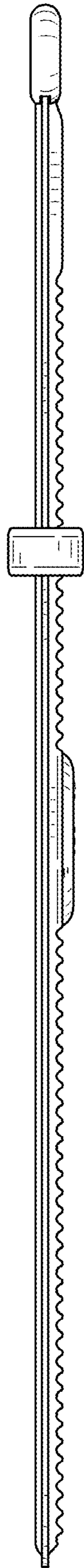


FIG. 4

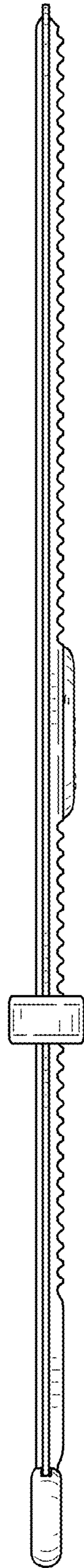


FIG. 5

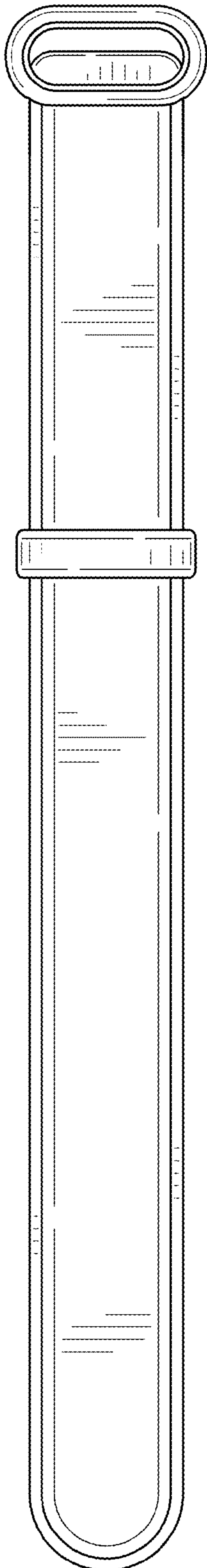


FIG. 6

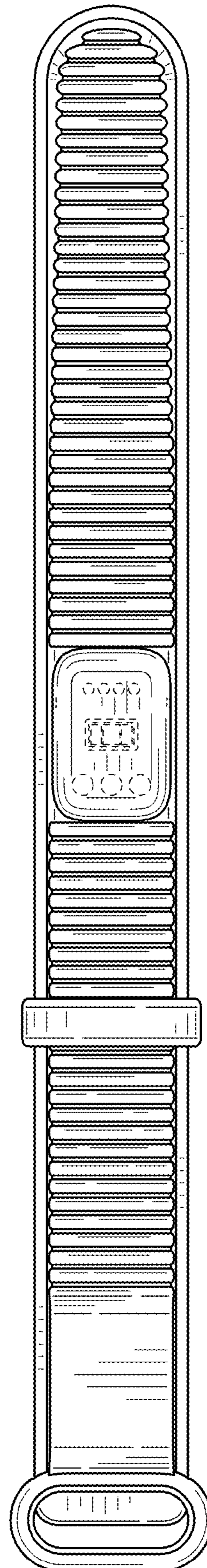


FIG. 7

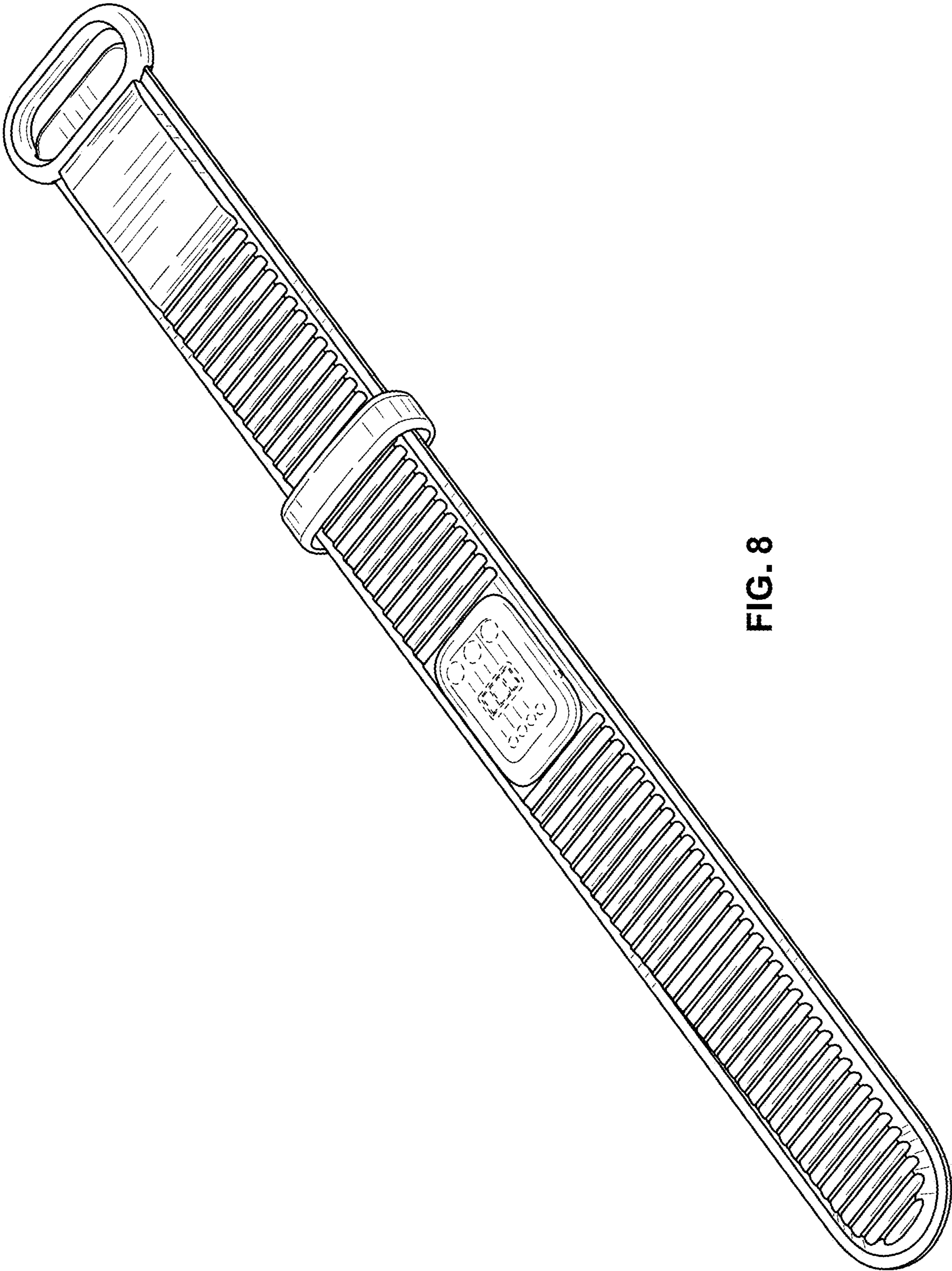


FIG. 8

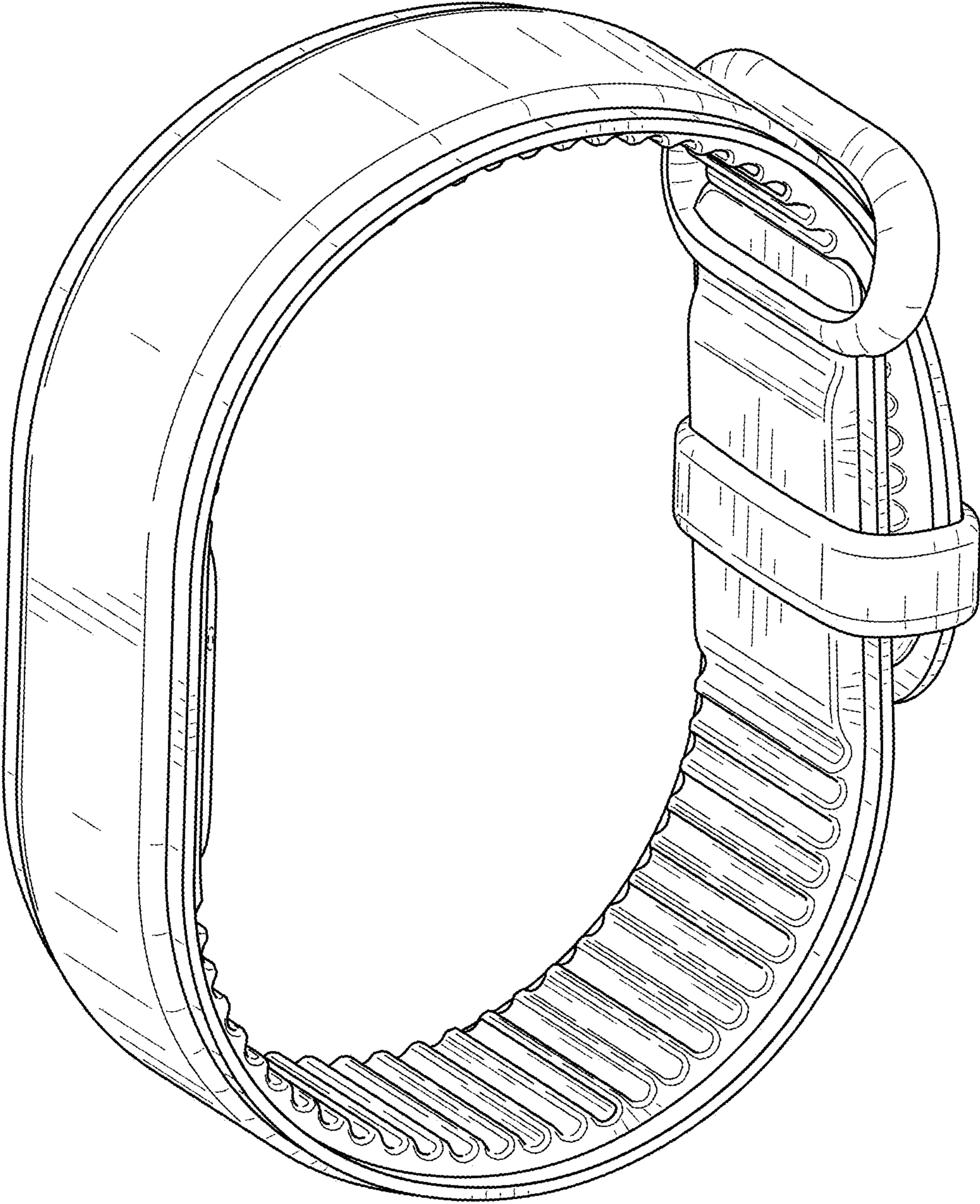


FIG. 9

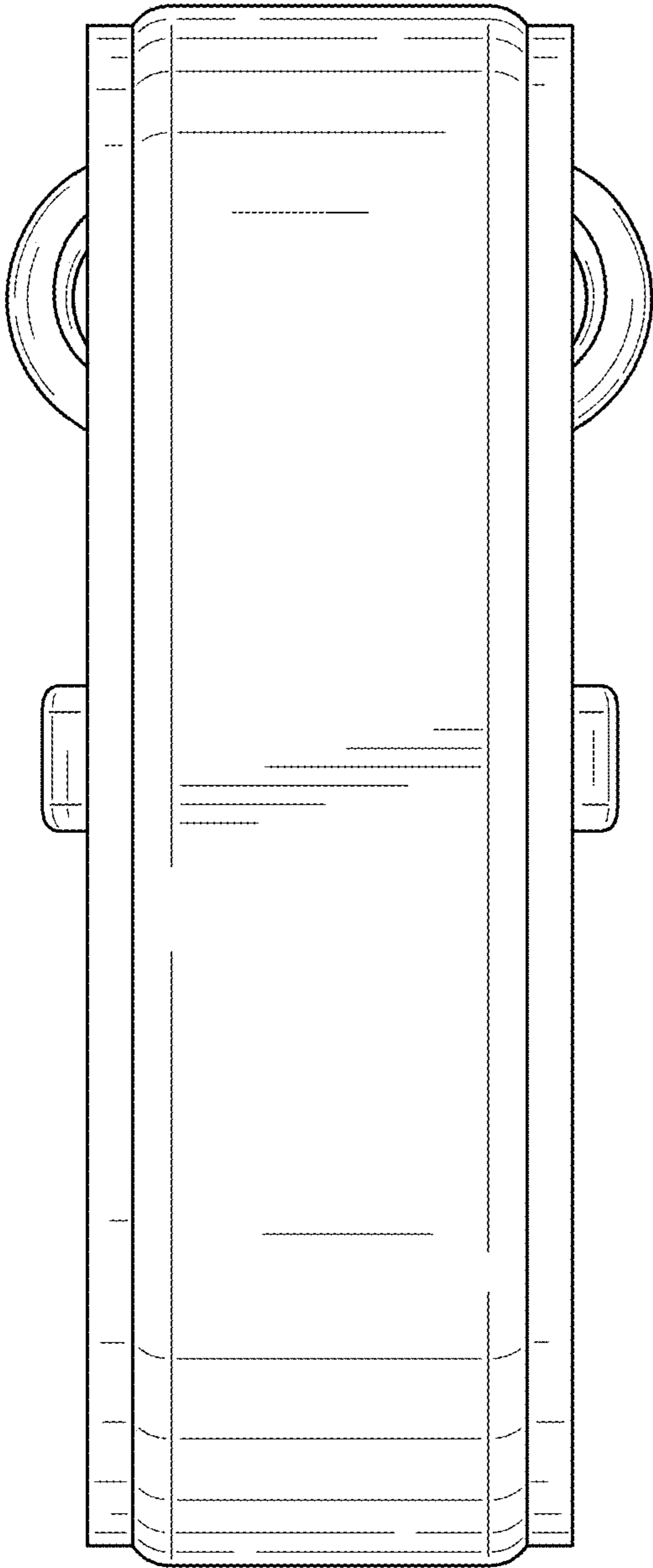


FIG. 10

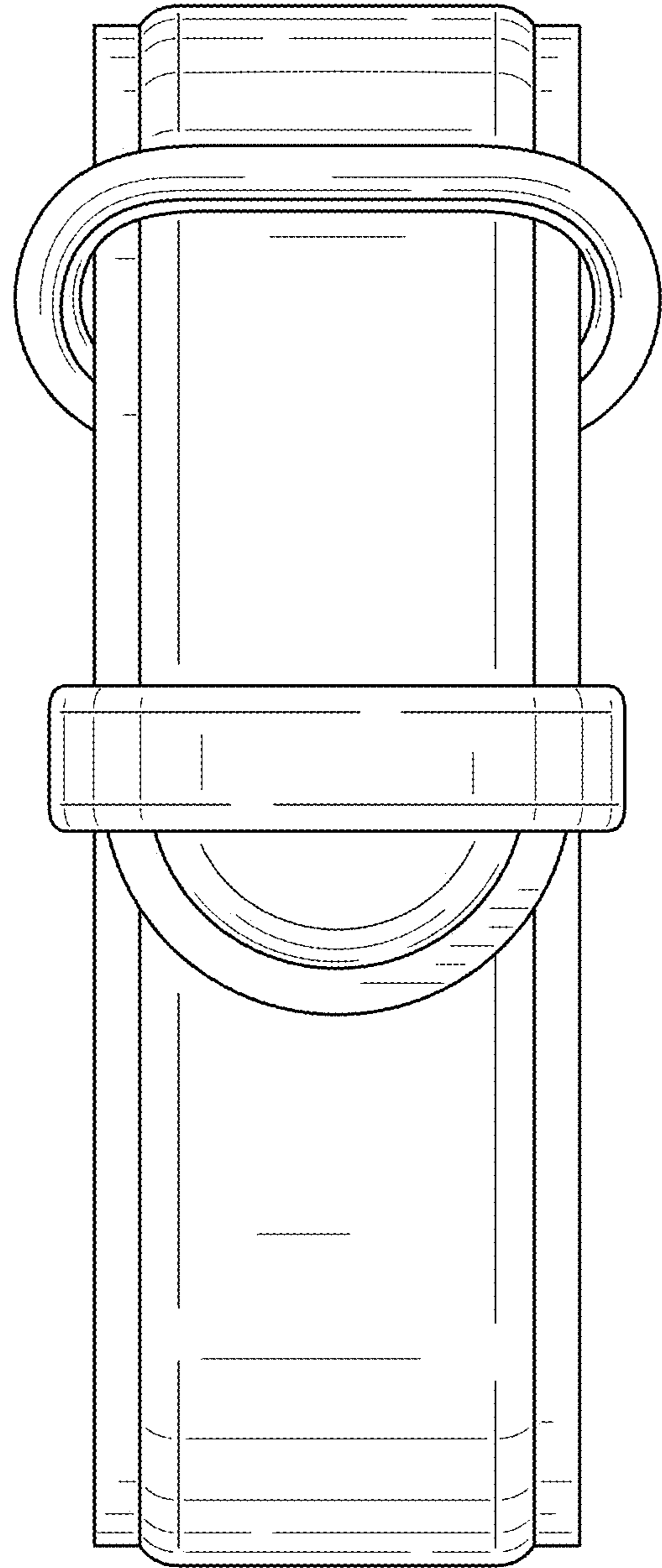


FIG. 11

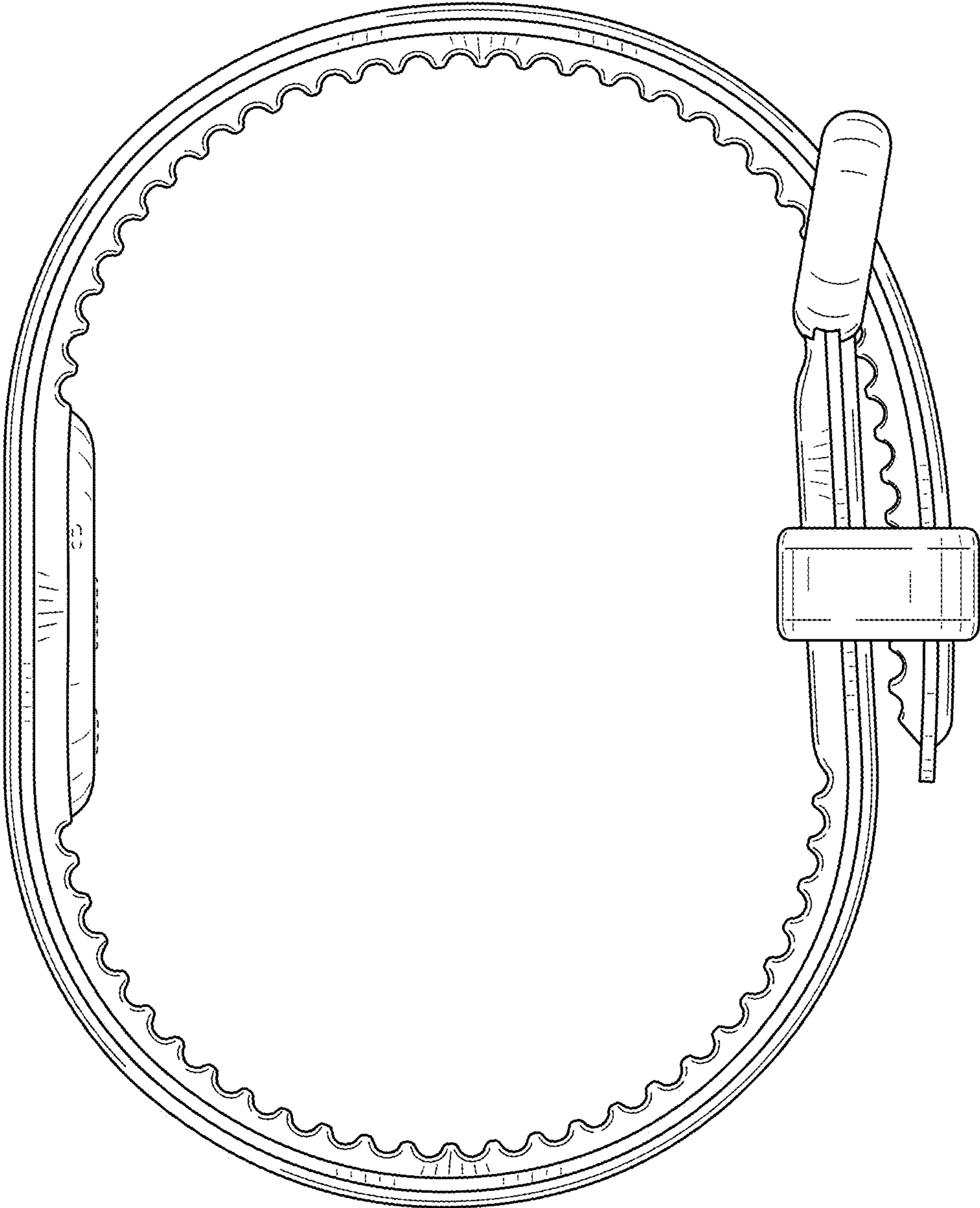


FIG. 12

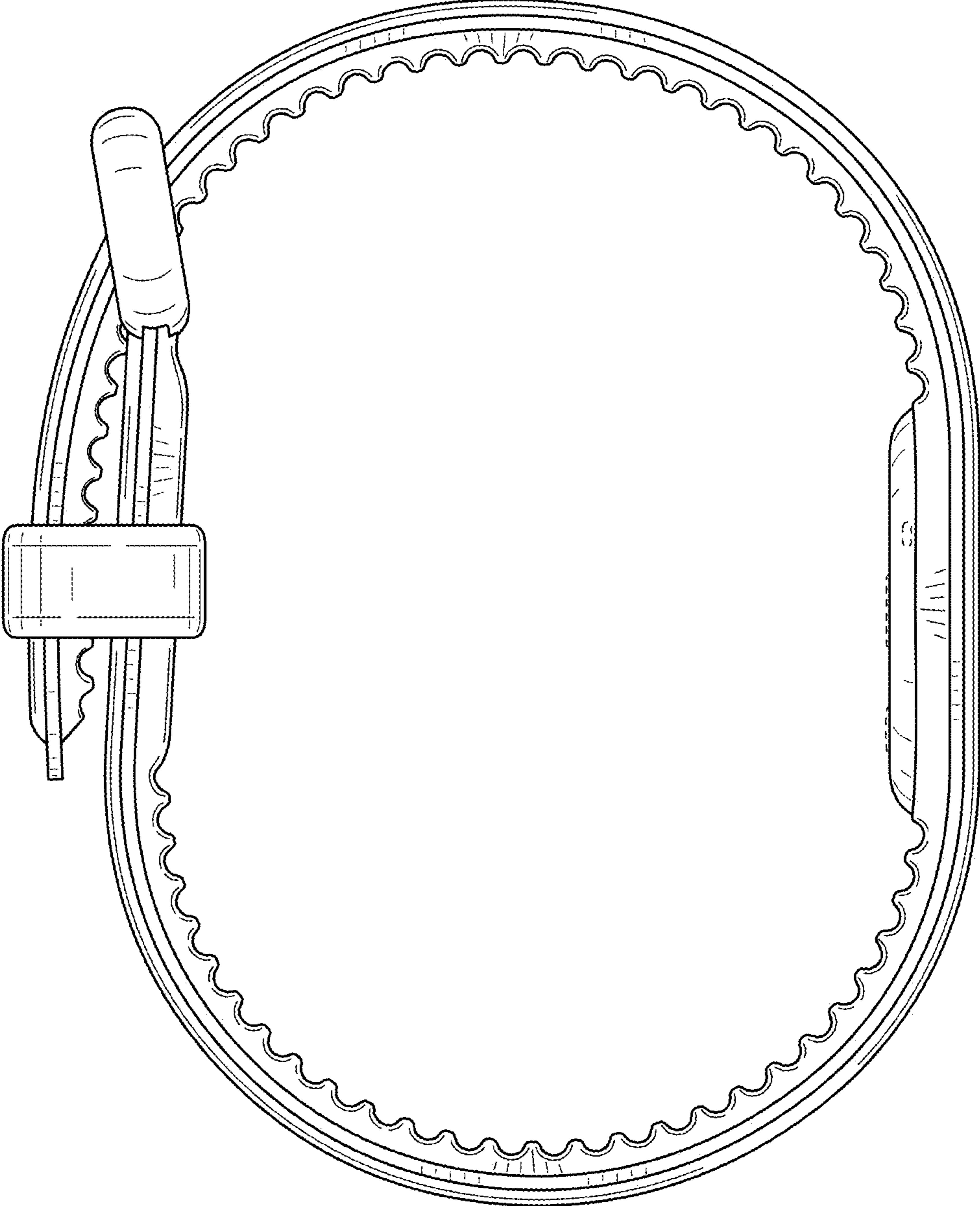


FIG. 13

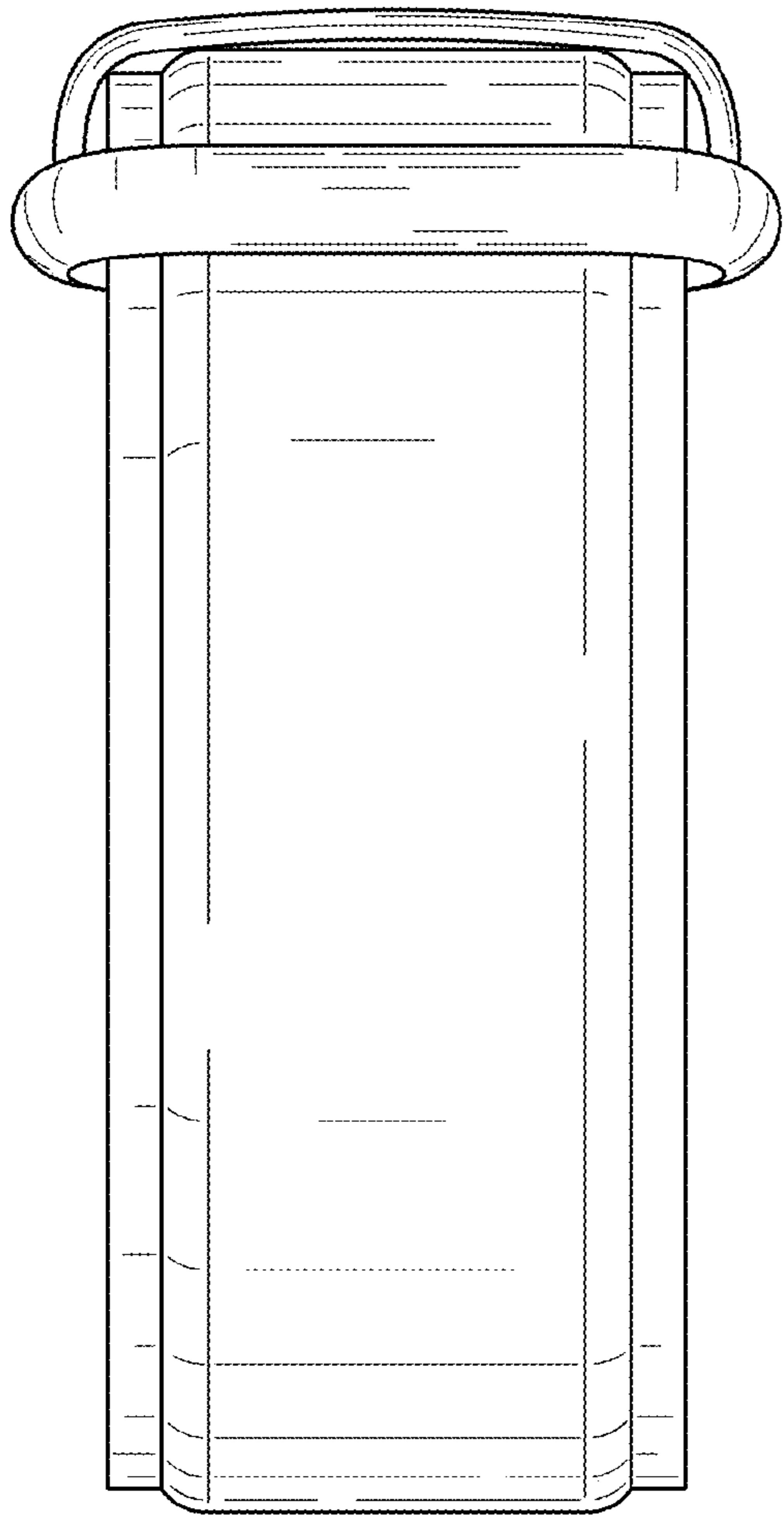


FIG. 14

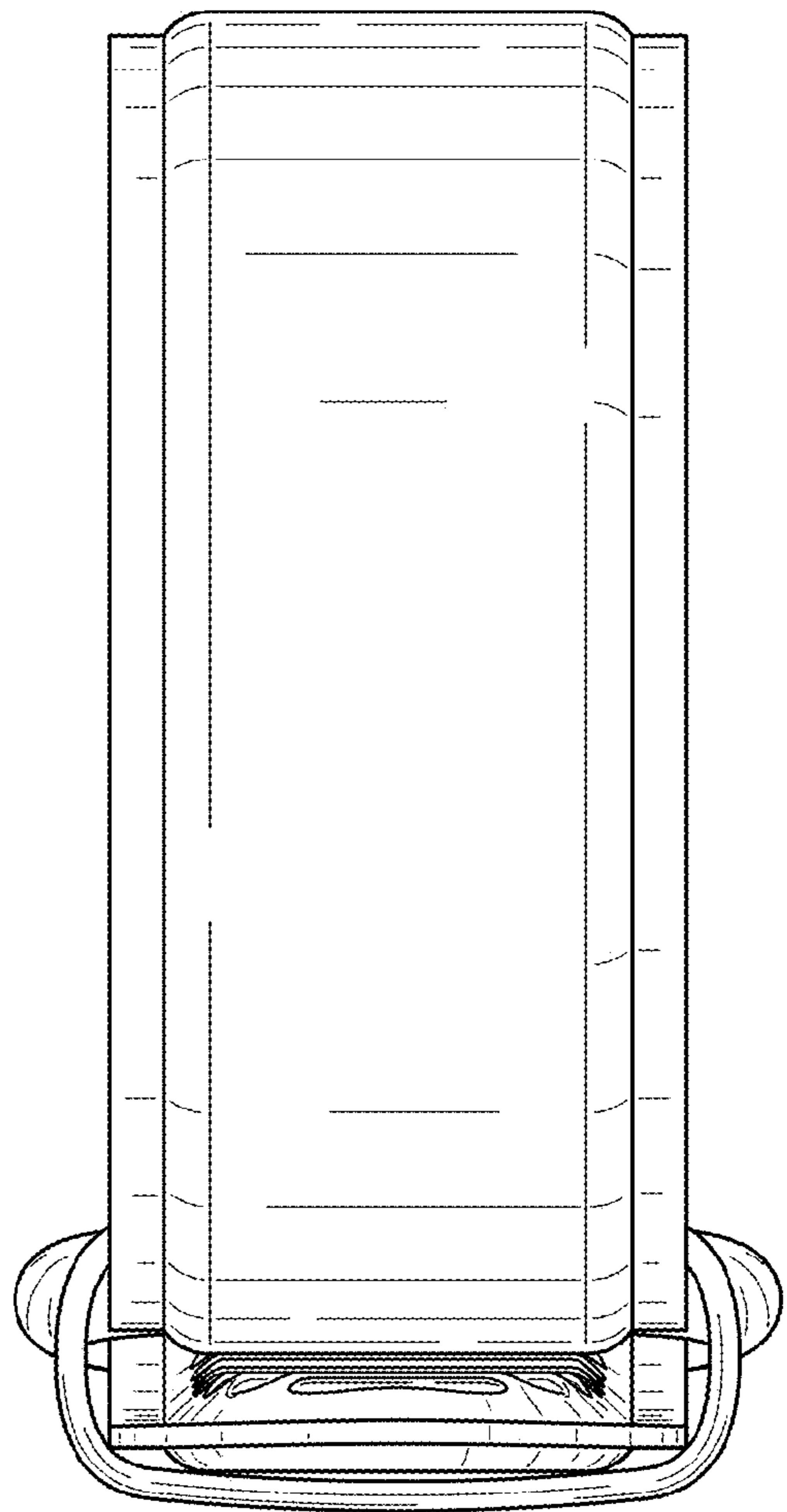


FIG. 15

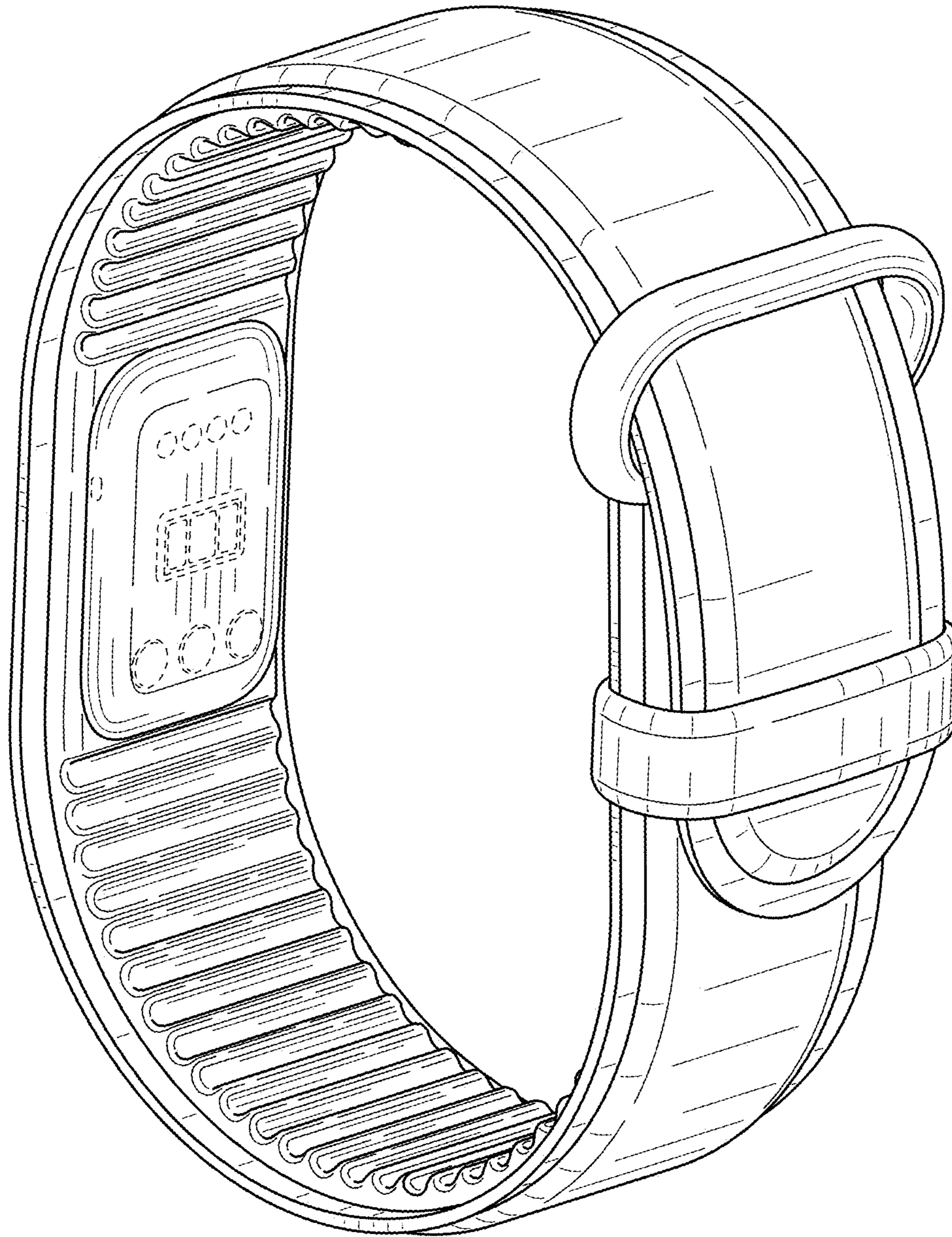


FIG. 16