



US00D904919S

(12) **United States Design Patent** (10) **Patent No.:** **US D904,919 S**
Barczak et al. (45) **Date of Patent:** **** Dec. 15, 2020**

(54) **WATCH BAND**

(71) Applicant: **Garmin Switzerland GmbH**,
Schaffhausen (CH)

(72) Inventors: **Michael J. Barczak**, Olathe, KS (US);
Robert M. Kalis, Overland Park, KS
(US); **Todd P. Register**, Olathe, KS
(US); **Robert S. Lillquist**, Overland
Park, KS (US); **Christopher G. Perra**,
Kansas City, MO (US)

(73) Assignee: **Garmin Switzerland GmbH**

(**) Term: **15 Years**

(21) Appl. No.: **29/683,345**

(22) Filed: **Mar. 12, 2019**

(51) **LOC (12) Cl.** **11-01**

(52) **U.S. Cl.**
USPC **D11/3**

(58) **Field of Classification Search**
USPC D11/1-18; D14/344; D10/31, 32, 38;
D24/167

CPC A44C 5/00; A44C 5/0007; A44C 5/0015;
A44C 5/0046; A44C 5/0053; A44C
5/0061; A44C 5/0069; A44C 5/0076;
A44C 5/0084; A44C 5/0092; A44C 5/02;
A44C 5/12; A44C 5/14; A44C 5/142;
A44C 5/145; A44C 5/147; A44C 5/16

See application file for complete search history.

(56) **References Cited**

U.S. PATENT DOCUMENTS

D353,786 S * 12/1994 Milovanovic D11/3
D365,533 S * 12/1995 Burgener D11/3
D563,256 S * 3/2008 Borraccino D10/32
D599,217 S * 9/2009 Chen D10/32
D788,609 S * 6/2017 Lenz D10/38

D860,034 S * 9/2019 Herz D11/3
D862,276 S * 10/2019 Herz D11/3
D874,311 S * 2/2020 Connor D11/3
D879,644 S * 3/2020 Deng D11/3
D883,838 S * 5/2020 Deng D11/3
D883,839 S * 5/2020 Deng D11/3
2016/0290624 A1* 10/2016 Dai A44C 5/0053
2017/0181510 A1* 6/2017 Novak A44C 5/147

OTHER PUBLICATIONS

Garmin, "QuickFit 20 Watch Bands," <https://buy.garmin.com/en-US/US/p/552261>, published before Mar. 12, 2019.

Monochrome, "Hands-on—Tudor Heritage Black Bay 36mm Ref. 79500, the Tudor Watch for Both Her and Him—Live pics & price," <https://monochrome-watches.com/tudor-heritage-black-bay-36mm-79500-review-price/>, Mar. 21, 2016.

* cited by examiner

Primary Examiner — Llorellys Martinez

(74) *Attorney, Agent, or Firm* — Samuel M. Korte; Max M. Ali

(57) **CLAIM**

The ornamental design for a watch band, as shown and described.

DESCRIPTION

FIG. 1 is a front perspective view of a watch band according to the present invention;

FIG. 2 is a rear perspective view of the watch band;

FIG. 3 is a top view of the watch band;

FIG. 4 is a front view of the watch band;

FIG. 5 is a bottom view of the watch band;

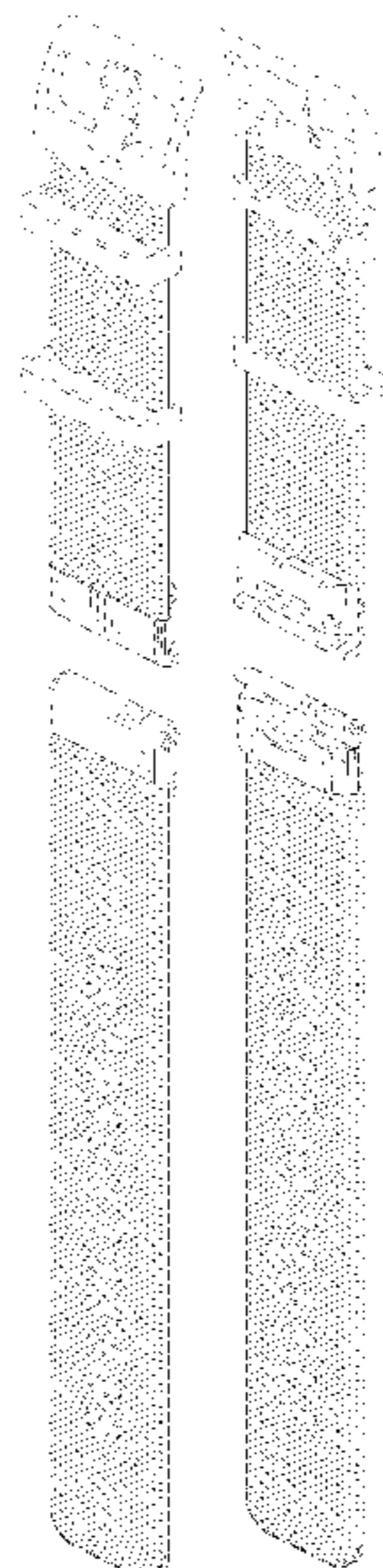
FIG. 6 is a rear view of the watch band;

FIG. 7 is a left side view of the watch band; and,

FIG. 8 is a right side view of the watch band.

The broken lines shown in the drawings represent portions of the watch band that form no part of the claimed design.

1 Claim, 3 Drawing Sheets



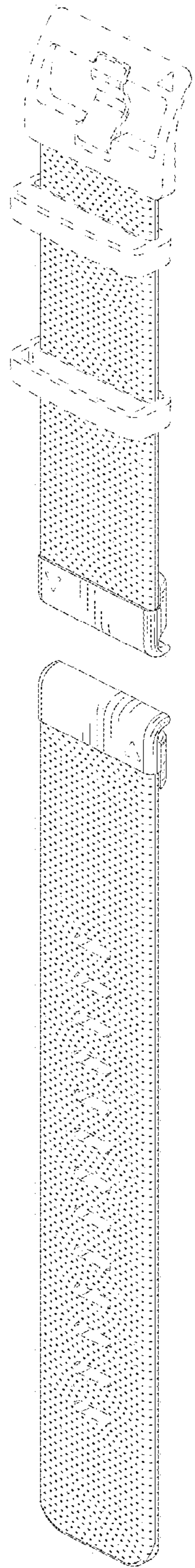


Fig. 1

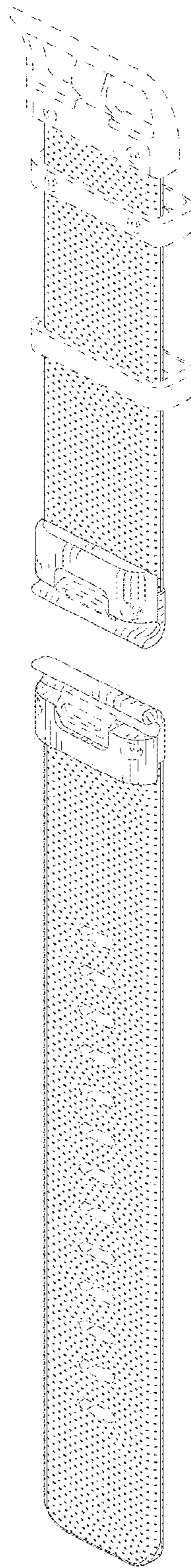


Fig. 2

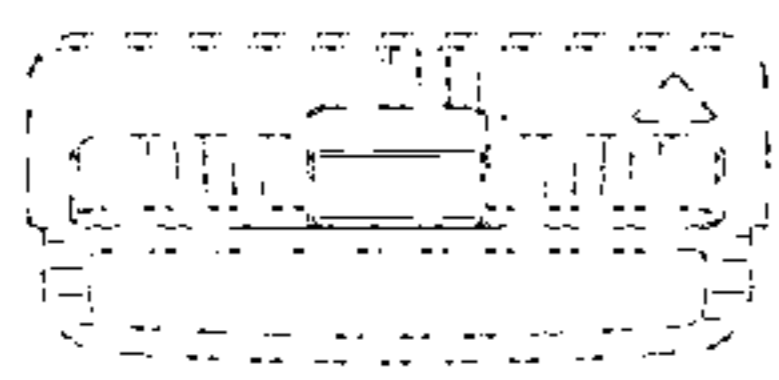


Fig. 3

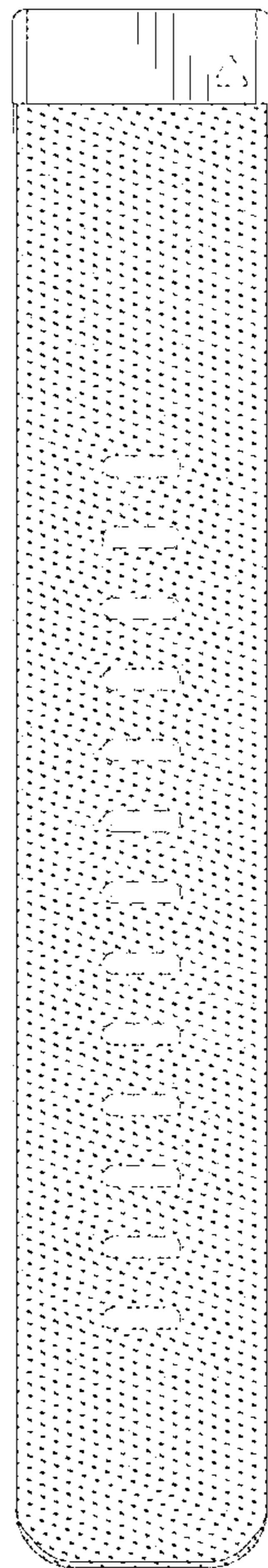
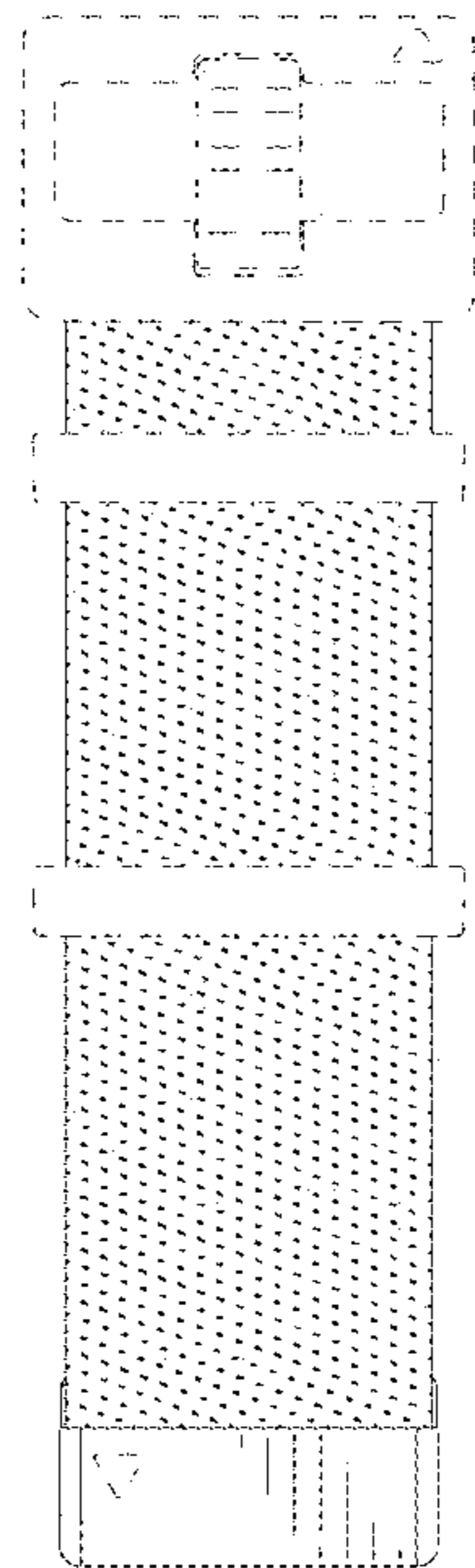


Fig. 4

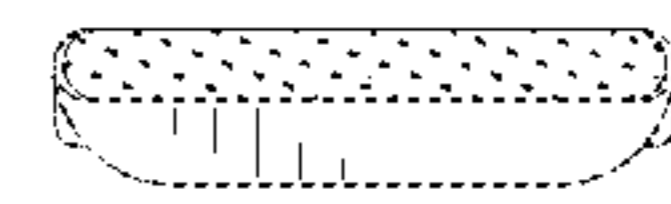


Fig. 5

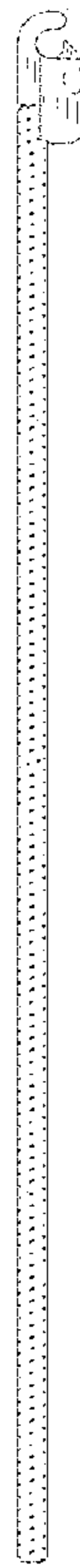
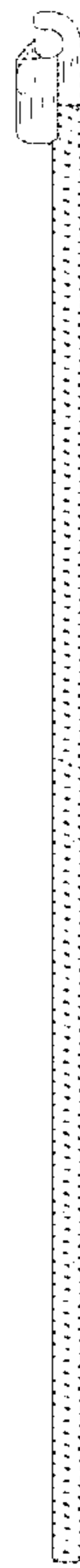
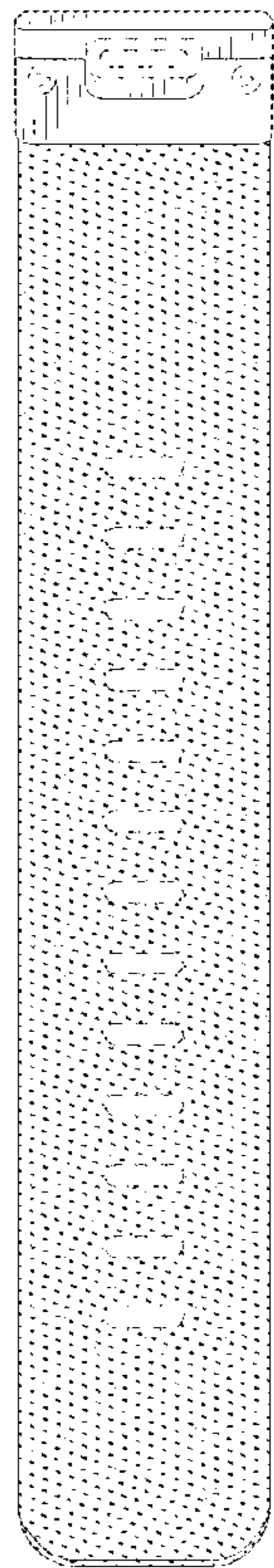
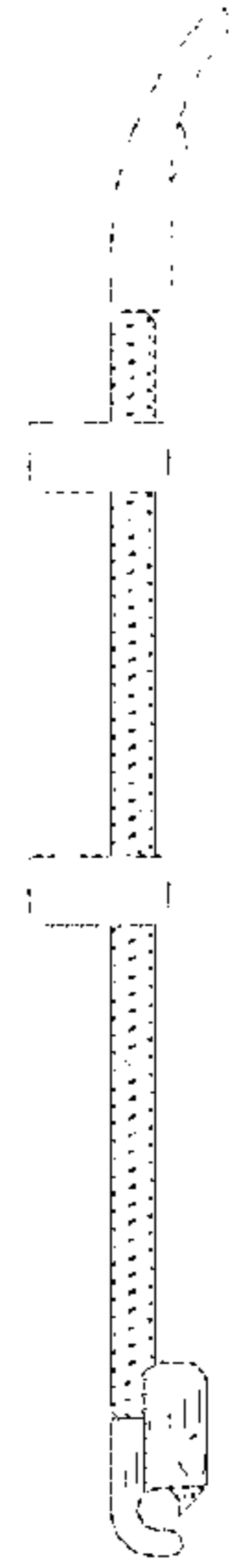
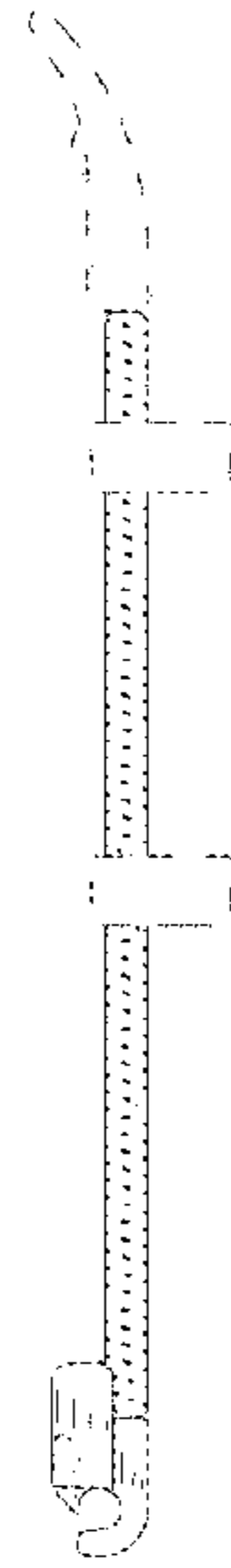
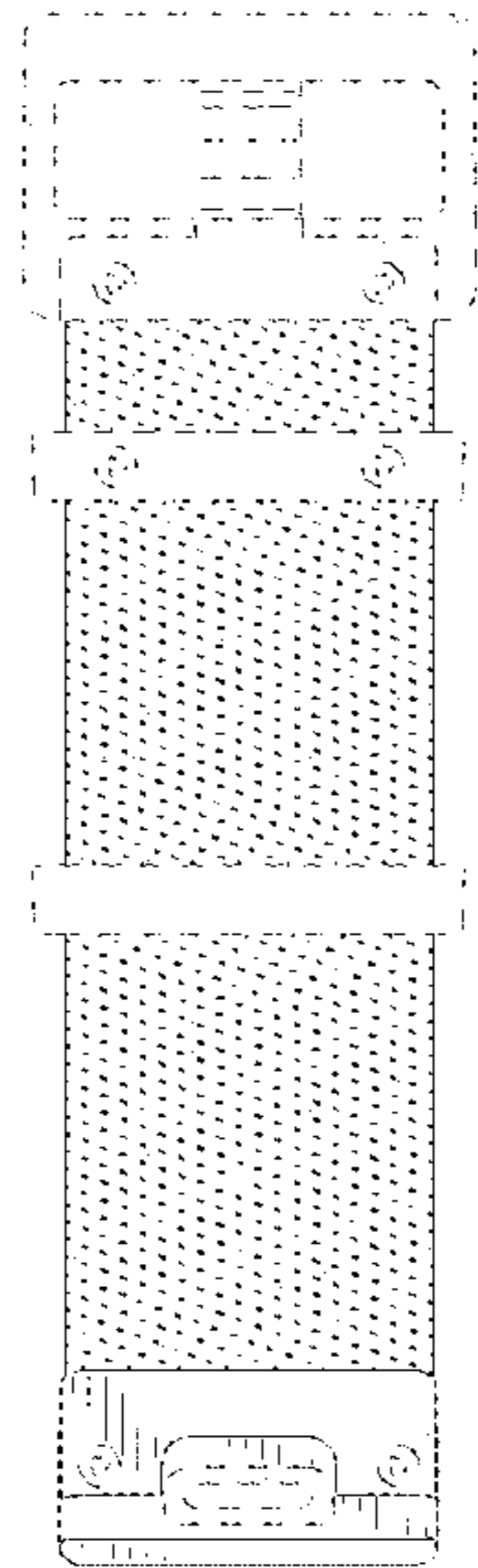


Fig. 6

Fig. 7

Fig. 8