



US00D904914S

(12) **United States Design Patent**
Faubion et al.

(10) **Patent No.:** **US D904,914 S**

(45) **Date of Patent:** **** Dec. 15, 2020**

(54) **SMOKE DETECTOR**

(71) Applicants: **Steven Benjamin Faubion**, Ruston,
WA (US); **Peggy Ann Faubion**, Ruston,
WA (US)

(72) Inventors: **Steven Benjamin Faubion**, Ruston,
WA (US); **Peggy Ann Faubion**, Ruston,
WA (US)

(**) Term: **15 Years**

(21) Appl. No.: **29/729,115**

(22) Filed: **Mar. 24, 2020**

Related U.S. Application Data

(63) Continuation of application No. 15/096,071, filed on
Apr. 11, 2016, now Pat. No. 10,600,299.

(51) **LOC (12) Cl.** **10-05**

(52) **U.S. Cl.**
USPC **D10/106.5**

(58) **Field of Classification Search**
USPC D10/106.5, 106.2
CPC G08B 17/107
See application file for complete search history.

(56) **References Cited**

U.S. PATENT DOCUMENTS

3,226,703 A * 12/1965 Finkle G08B 17/107
340/594
D204,526 S * 4/1966 Storm D10/106.5
D367,622 S * 3/1996 DeWitt D10/106.5
D367,623 S * 3/1996 DeWitt D10/106.5

D472,175 S * 3/2003 Welsh D10/106.5
D633,231 S * 2/2011 Morrison D26/24
D756,828 S * 5/2016 Wettre D10/106.5
D820,238 S * 6/2018 Boshernitzan D14/218

* cited by examiner

Primary Examiner — George D. Kirschbaum

(74) *Attorney, Agent, or Firm* — Christopher Mayle;
Thomas E. LaGrandeur; Bold IP, PLLC

(57) **CLAIM**

The ornamental design for a smoke detector, as shown.

DESCRIPTION

FIG. 1 is a bottom perspective view of a smoke detector in
accordance with the present invention;

FIG. 2 is a front view thereof;

FIG. 3 is a back view thereof;

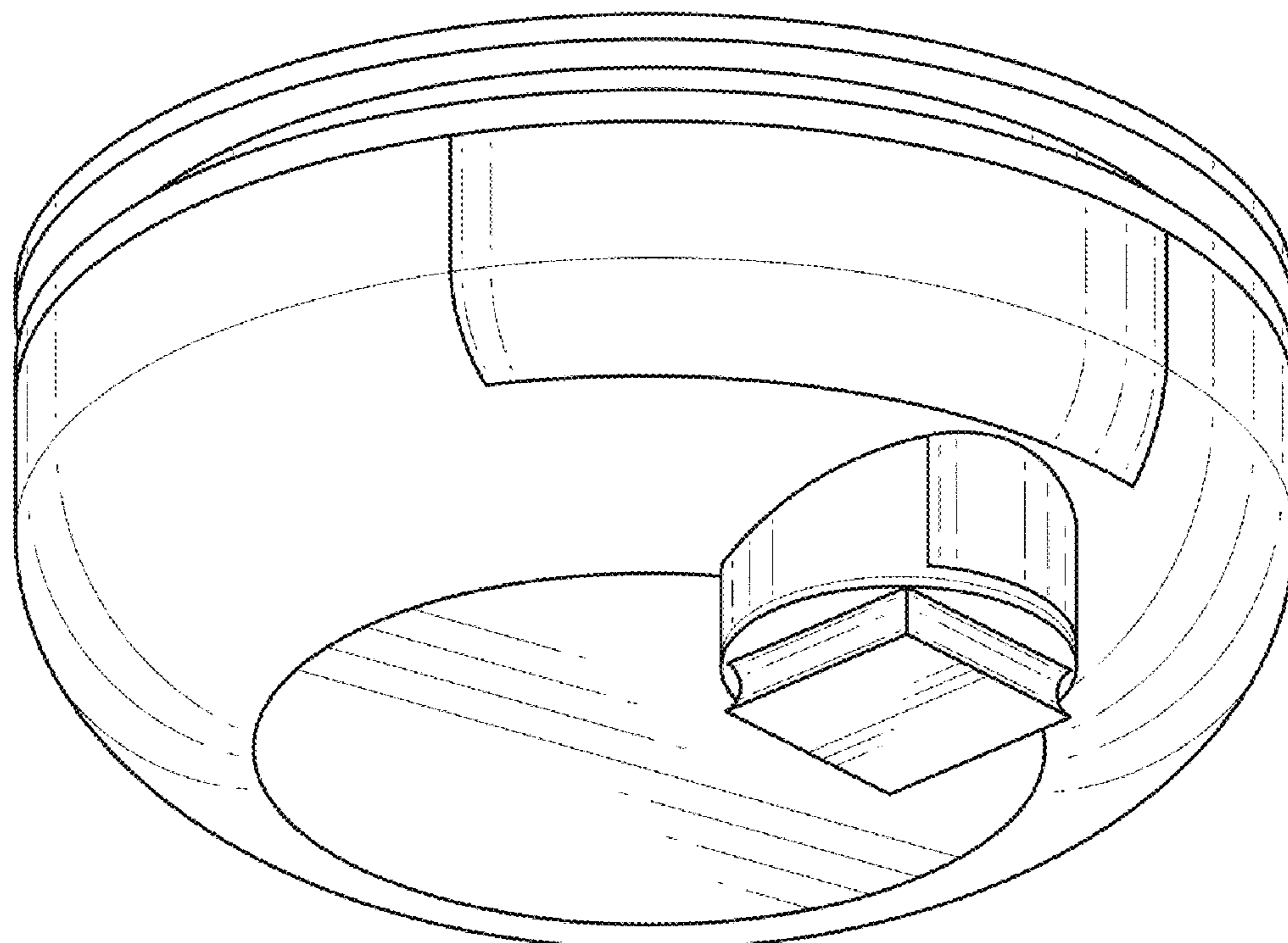
FIG. 4 is a left view thereof;

FIG. 5 is a right view thereof;

FIG. 6 is a top view thereof; and,

FIG. 7, is a bottom view thereof.

1 Claim, 7 Drawing Sheets



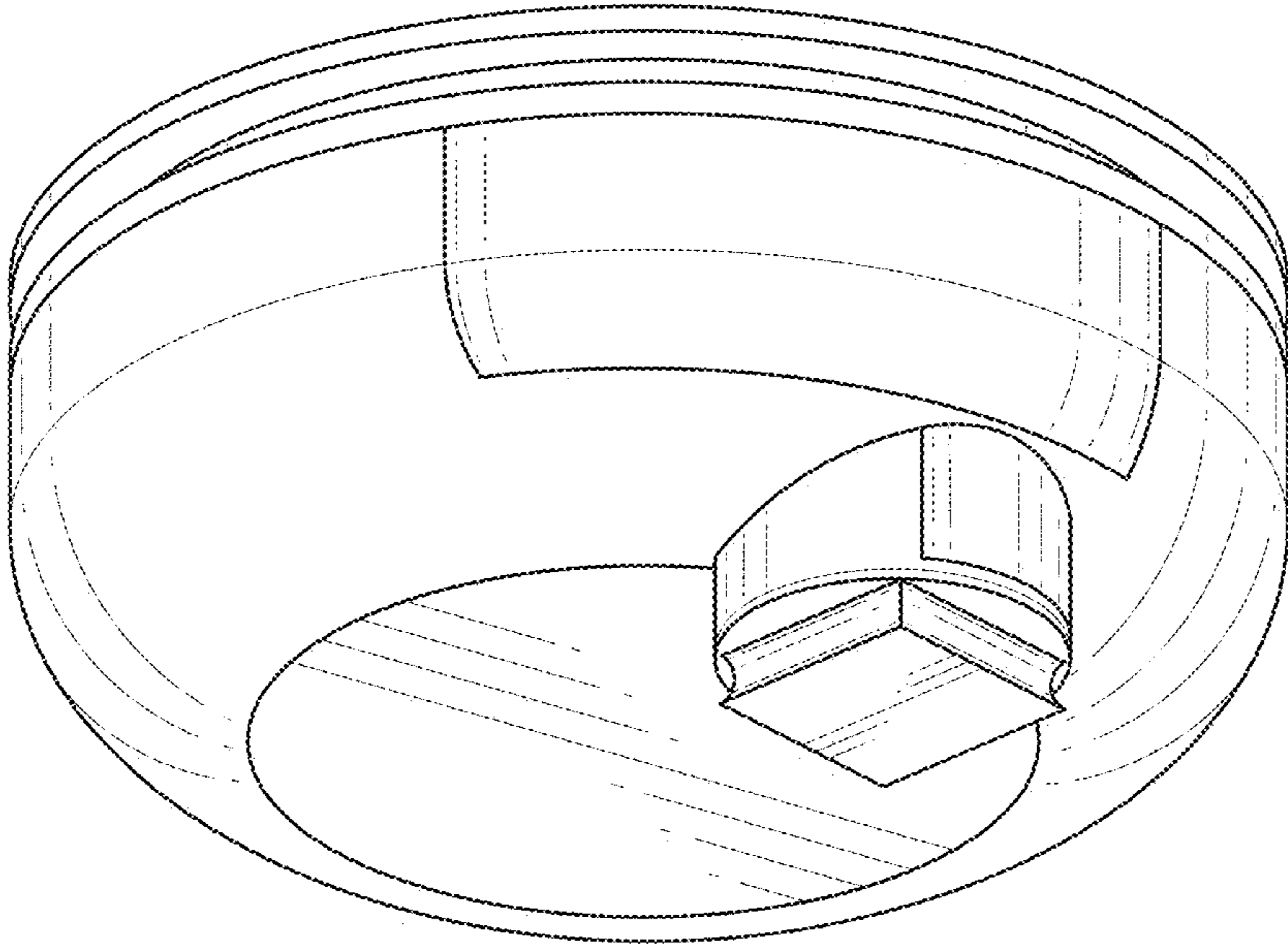


FIG. 1

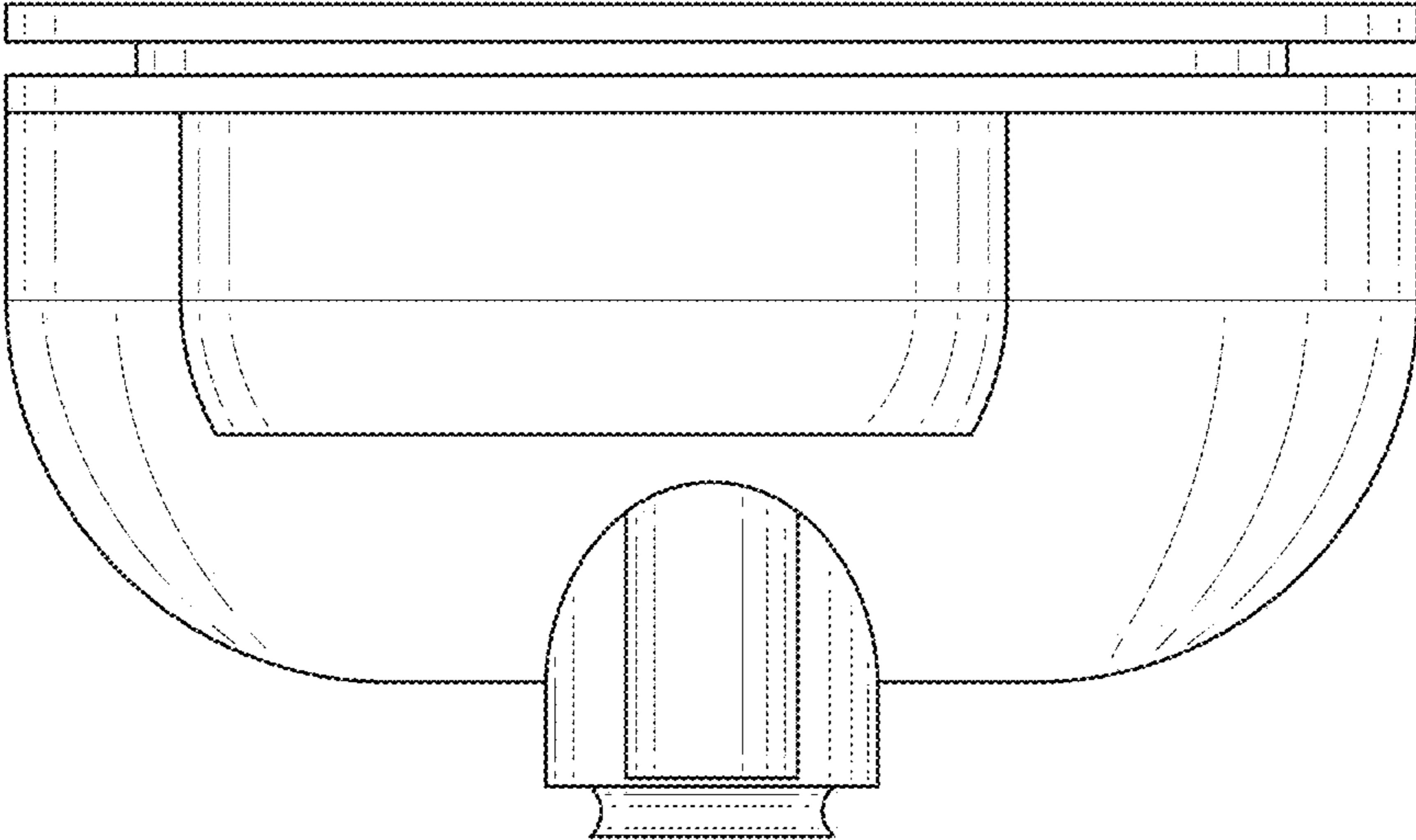


FIG. 2

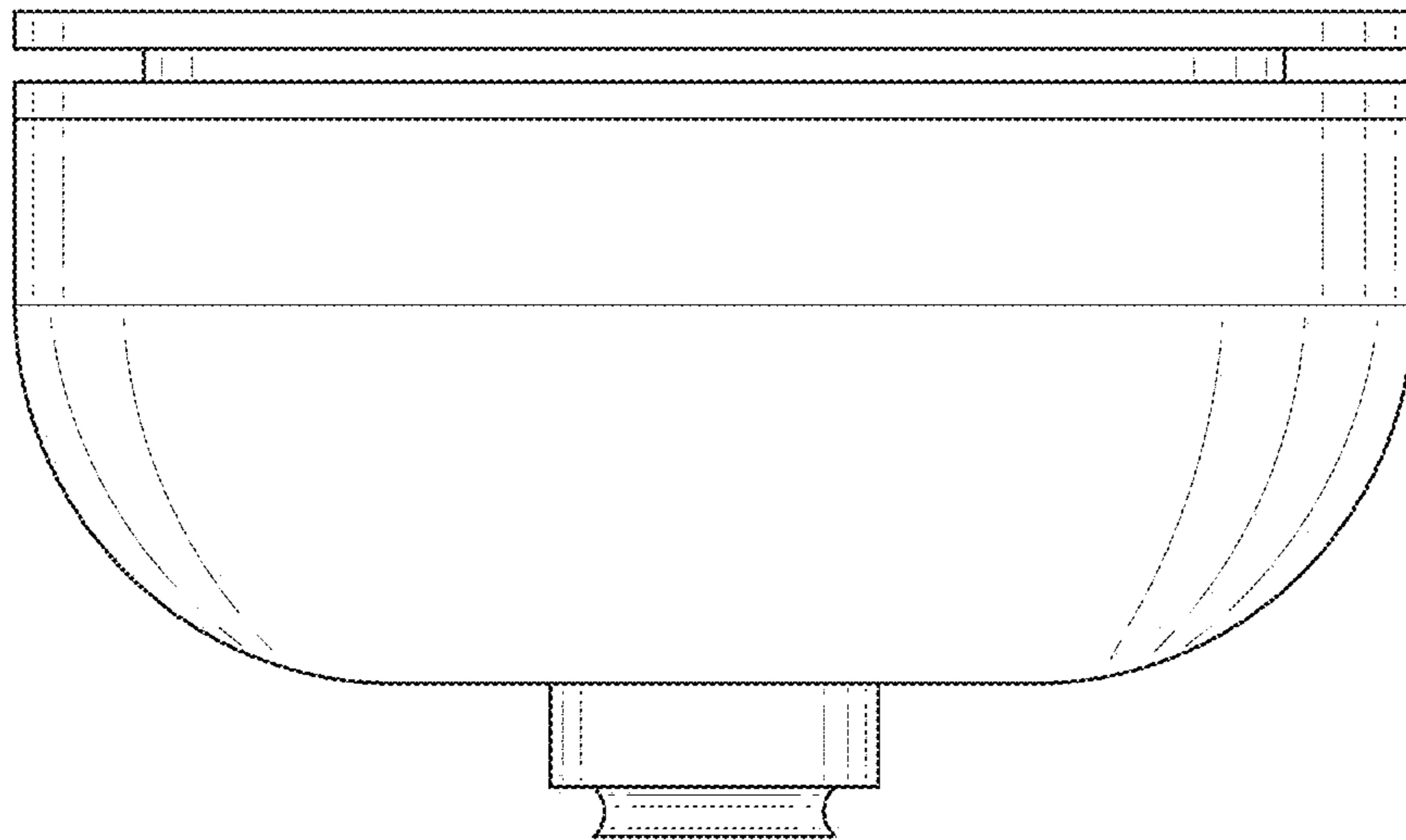


FIG. 3

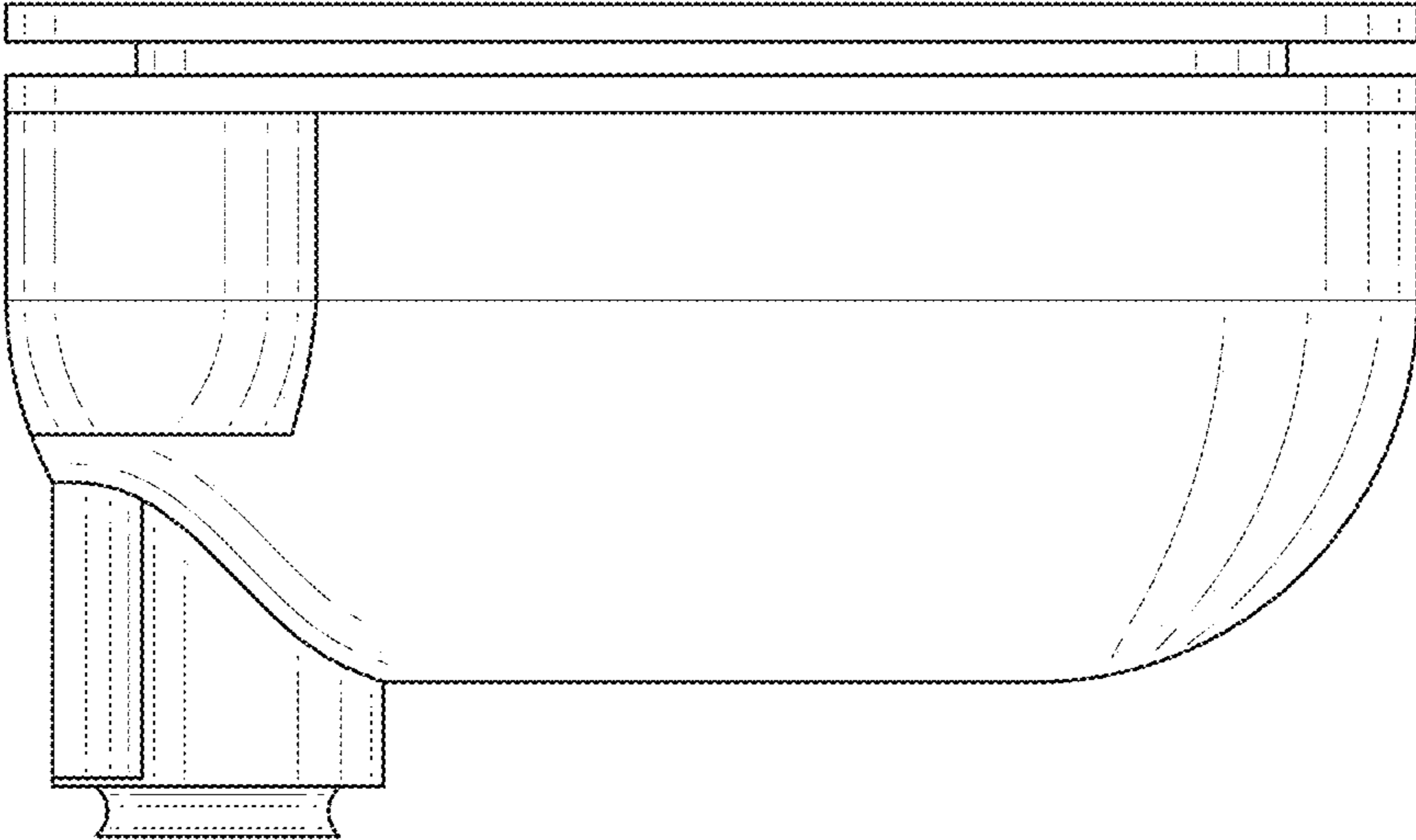


FIG. 4

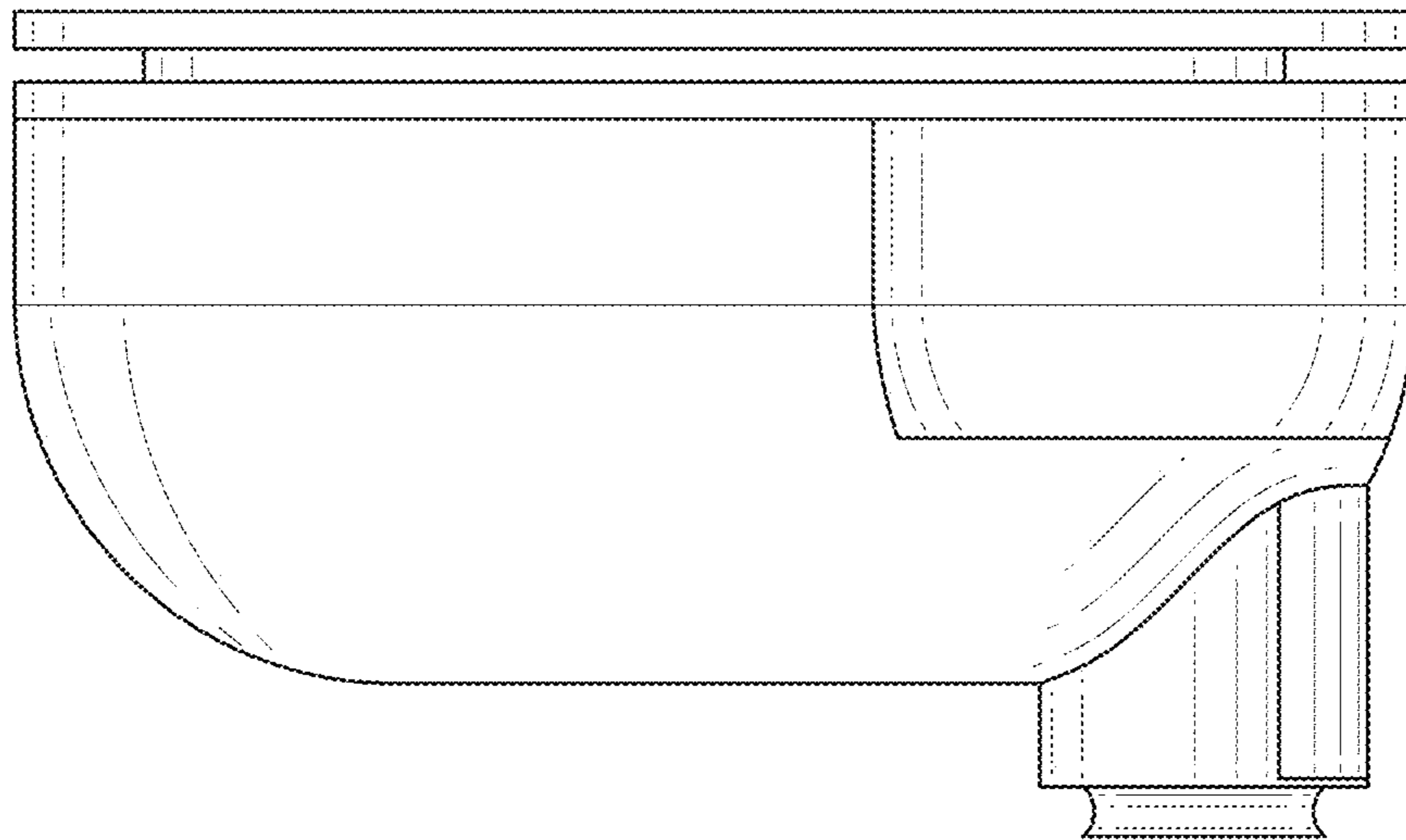


FIG. 5

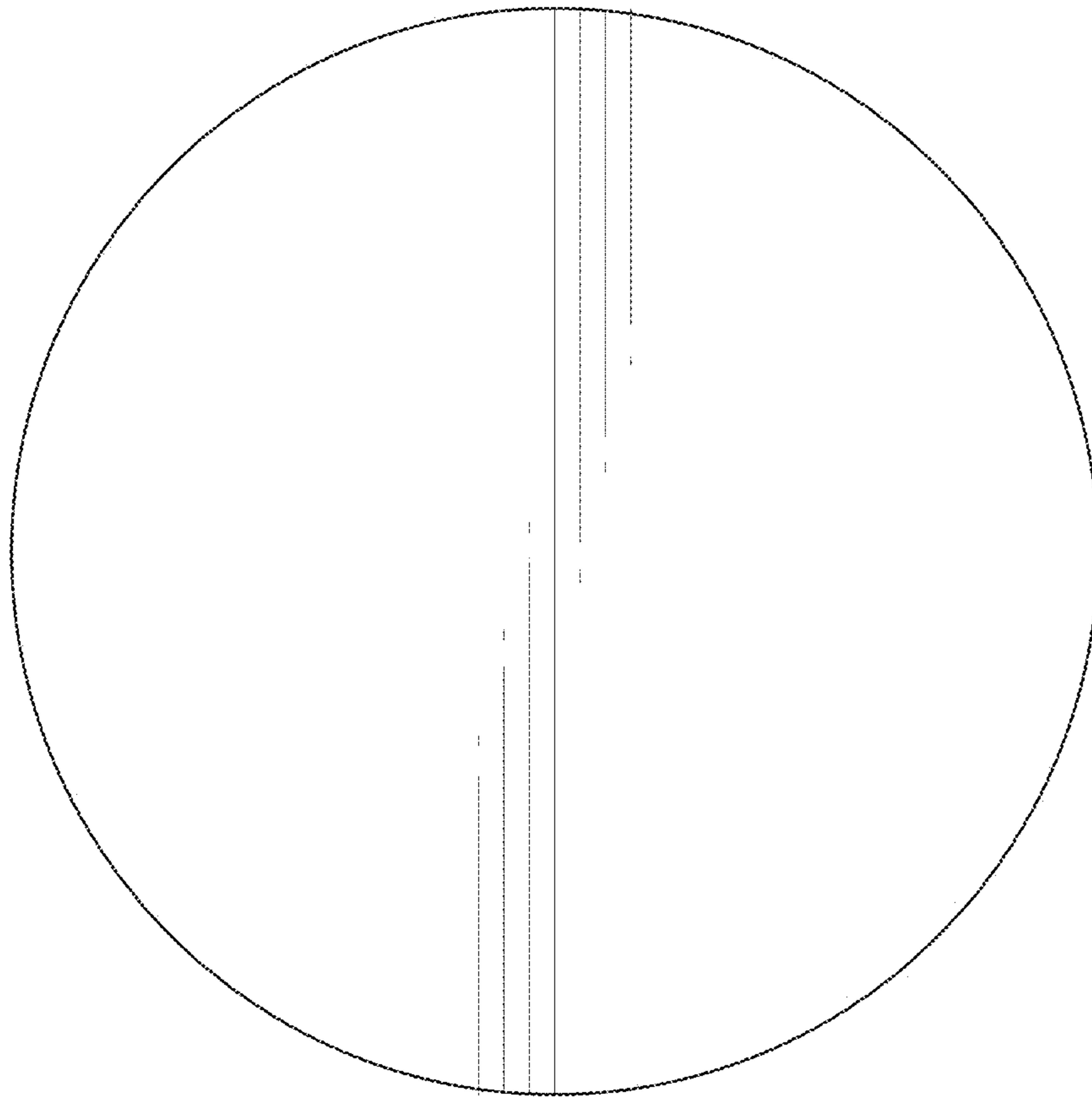


FIG. 6

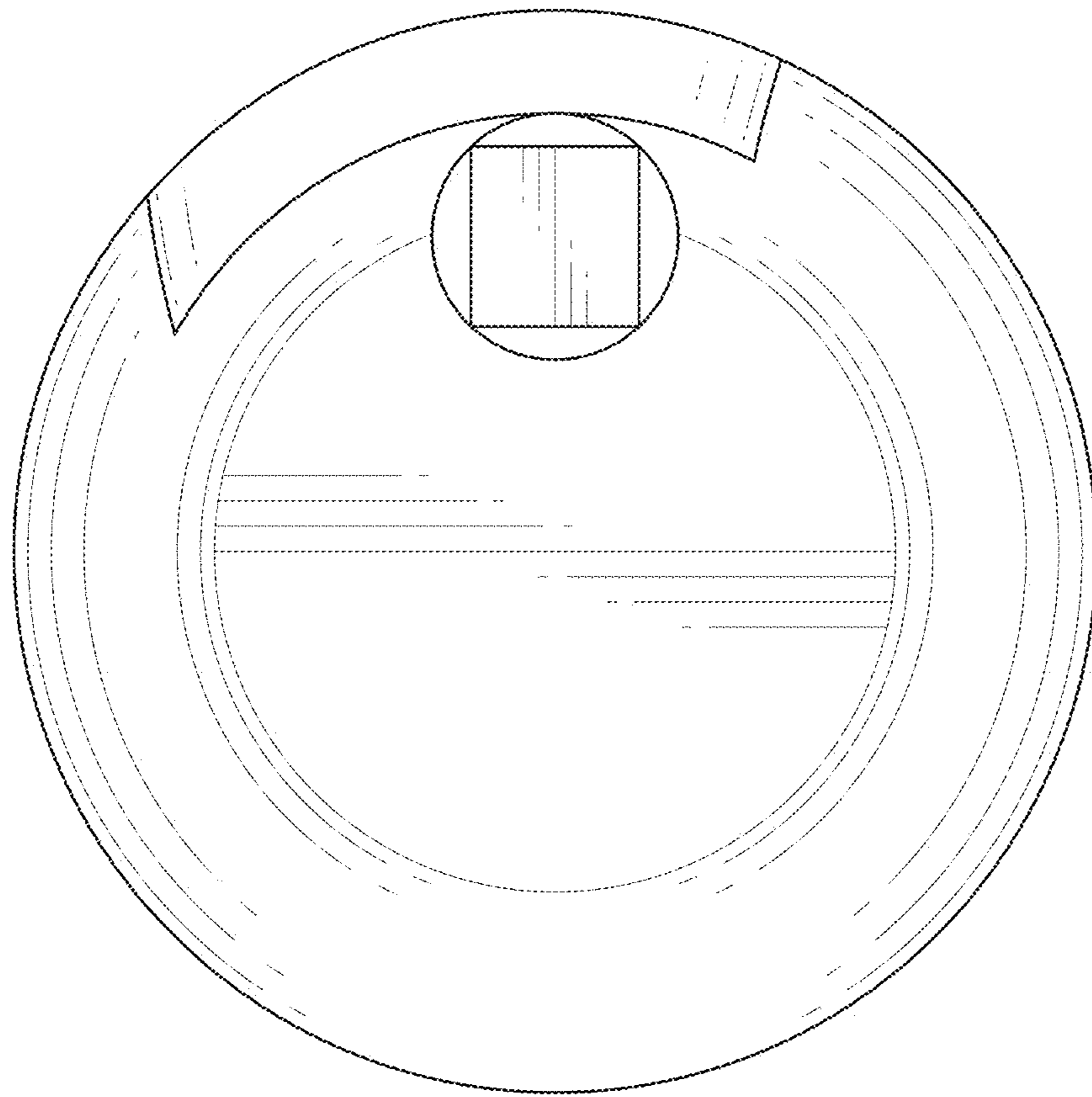


FIG. 7