



US00D904913S

(12) **United States Design Patent** (10) **Patent No.:** **US D904,913 S**  
**MacMahon et al.** (45) **Date of Patent:** **\*\* Dec. 15, 2020**

- (54) **PART OF ALARM DEVICE**
- (71) Applicant: **VERISURE SÀRL**, Versoix (CH)
- (72) Inventors: **Diarmuid MacMahon**, Dublin (IE);  
**Philip Nilsson**, County Wicklow (IE);  
**Eoin McNally**, Dublin (IE); **Henrik Mårtensson**, Lund (SE)
- (73) Assignee: **VERISURE SÀRL**, Versoix (CH)
- (\*\*) Term: **15 Years**
- (21) Appl. No.: **29/696,083**
- (22) Filed: **Jun. 25, 2019**

- D521,403 S 5/2006 Shain et al.
- D534,089 S 12/2006 Disselkoen et al.
- D537,746 S 3/2007 Kageyama
- D559,718 S 1/2008 Schaeken
- D559,719 S 1/2008 Schaeken et al.
- D632,600 S 2/2011 Noguchi
- D648,237 S \* 11/2011 Ardinghi ..... D10/106.7
- D666,934 S 9/2012 Krumpel et al.
- D680,013 S 4/2013 Ikeda et al.
- D680,014 S \* 4/2013 Corso ..... D10/106.6
- D680,459 S \* 4/2013 Corso ..... D10/106.6
- D713,277 S 9/2014 Hasegawa et al.
- D726,179 S 4/2015 Orthey
- D744,884 S 12/2015 Roberts et al.
- D747,228 S 1/2016 Fiedler et al.
- D755,733 S \* 5/2016 Ikegaya ..... D13/168
- D757,586 S 5/2016 Li
- D777,050 S 1/2017 Will et al.
- D778,185 S 2/2017 Ookawa et al.

(Continued)

**Related U.S. Application Data**

- (62) Division of application No. 35/504,965, filed on Dec. 13, 2017 (U.S. filing date under 35 U.S.C. 384), and having an international filing date of Dec. 13, 2017, now Pat. No. Des. 860,023.

- (51) **LOC (12) Cl.** ..... **10-05**
- (52) **U.S. Cl.**  
USPC ..... **D10/106.1**
- (58) **Field of Classification Search**  
USPC ..... D10/49-57, 60, 106.1-106.95; D13/168;  
D14/356, 357, 358; D15/146  
CPC ..... G08B 17/00; G08B 17/06; G08B 17/10;  
G08B 17/11; G08B 17/12; G08B 17/103;  
G08B 17/107; G08B 21/02; G08B  
21/0202; G08B 21/0205; G08B 21/182;  
G08B 21/0438; G08B 21/0461; G08B  
21/0469; G08B 21/0492  
See application file for complete search history.

(56) **References Cited**

**U.S. PATENT DOCUMENTS**

- D430,500 S \* 9/2000 Chen ..... D10/106.1
- D449,244 S 10/2001 Ginzle

**FOREIGN PATENT DOCUMENTS**

- EM 001783051-0005 11/2010
- WO WO57873/DM/093 4/2017

16

*Primary Examiner* — George D. Kirschbaum

*Assistant Examiner* — Joseph J. Kukella

(74) *Attorney, Agent, or Firm* — Capitol City TechLaw

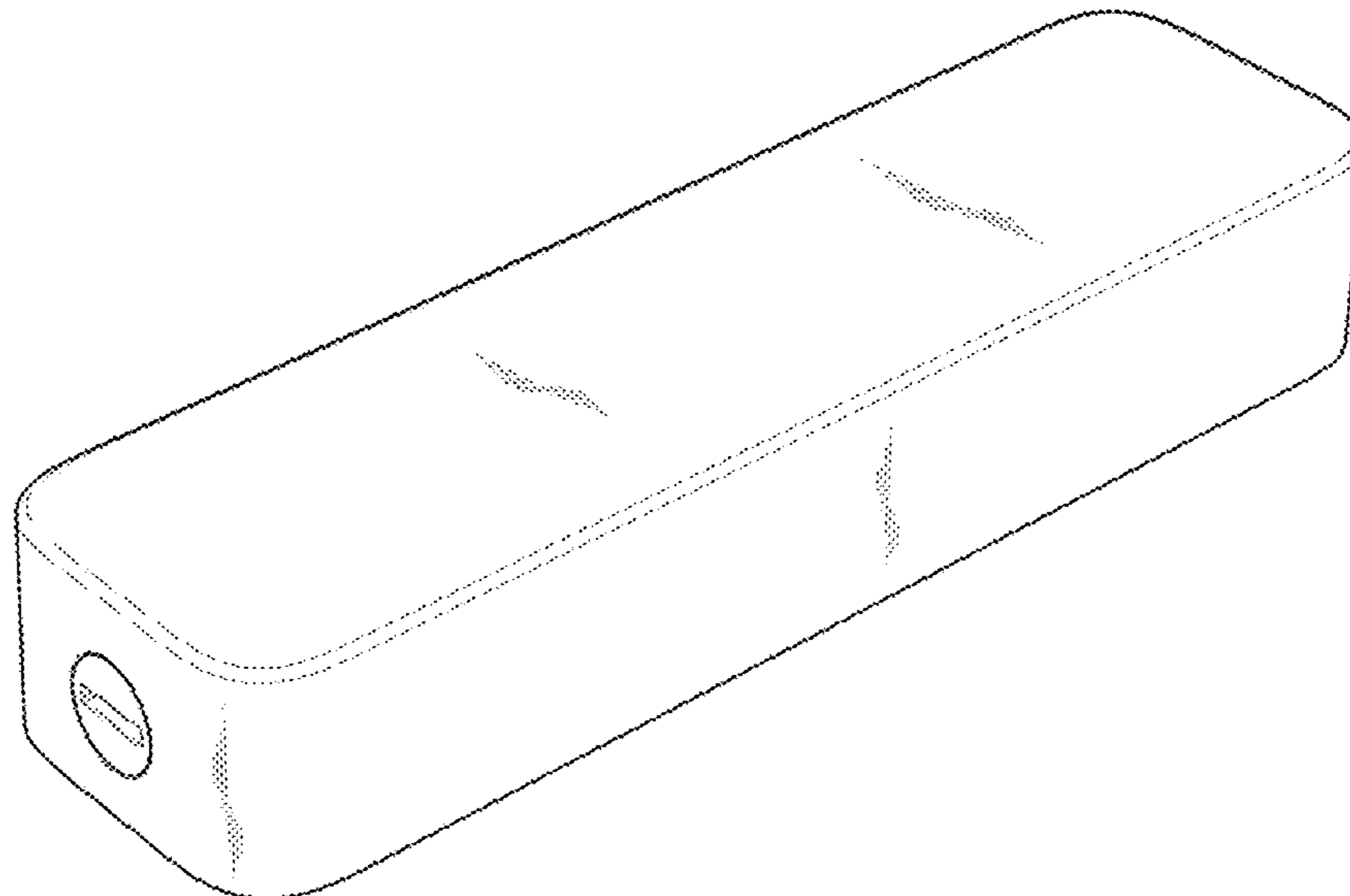
(57) **CLAIM**

The ornamental design for a part of alarm device, as shown.

**DESCRIPTION**

FIG. 1 is a front, top, and right side perspective view of a part of alarm device showing our new design;  
 FIG. 2 is a right side view thereof;  
 FIG. 3 is a left side view thereof;  
 FIG. 4 is a top view thereof;  
 FIG. 5 is a front view thereof; and,  
 FIG. 6 is a rear view thereof.

**1 Claim, 6 Drawing Sheets**



(56)

**References Cited**

U.S. PATENT DOCUMENTS

D786,106 S	5/2017	Yau	
D788,603 S	6/2017	Liu	
D793,262 S	8/2017	Geskin Zinovi et al.	
D793,888 S	8/2017	Hasegawa	
D796,364 S	9/2017	Konotopskyi et al.	
D803,187 S	11/2017	Gunnarsson et al.	
D805,941 S	12/2017	Jou et al.	
D806,671 S	1/2018	Kalyuzhny et al.	
D806,678 S	1/2018	Reichert et al.	
D807,320 S	1/2018	Wong	
D809,951 S	2/2018	Yang et al.	
D823,913 S *	7/2018	Chou .....	D15/146
D834,979 S *	12/2018	Zhang .....	D10/106.95
D860,023 S *	9/2019	MacMahon .....	D10/106.1
D868,609 S *	12/2019	Wang .....	D10/106.6
D888,593 S *	6/2020	Kristensson .....	D10/106.1
D893,330 S *	8/2020	Xu .....	D10/106.1

\* cited by examiner

Fig. 1

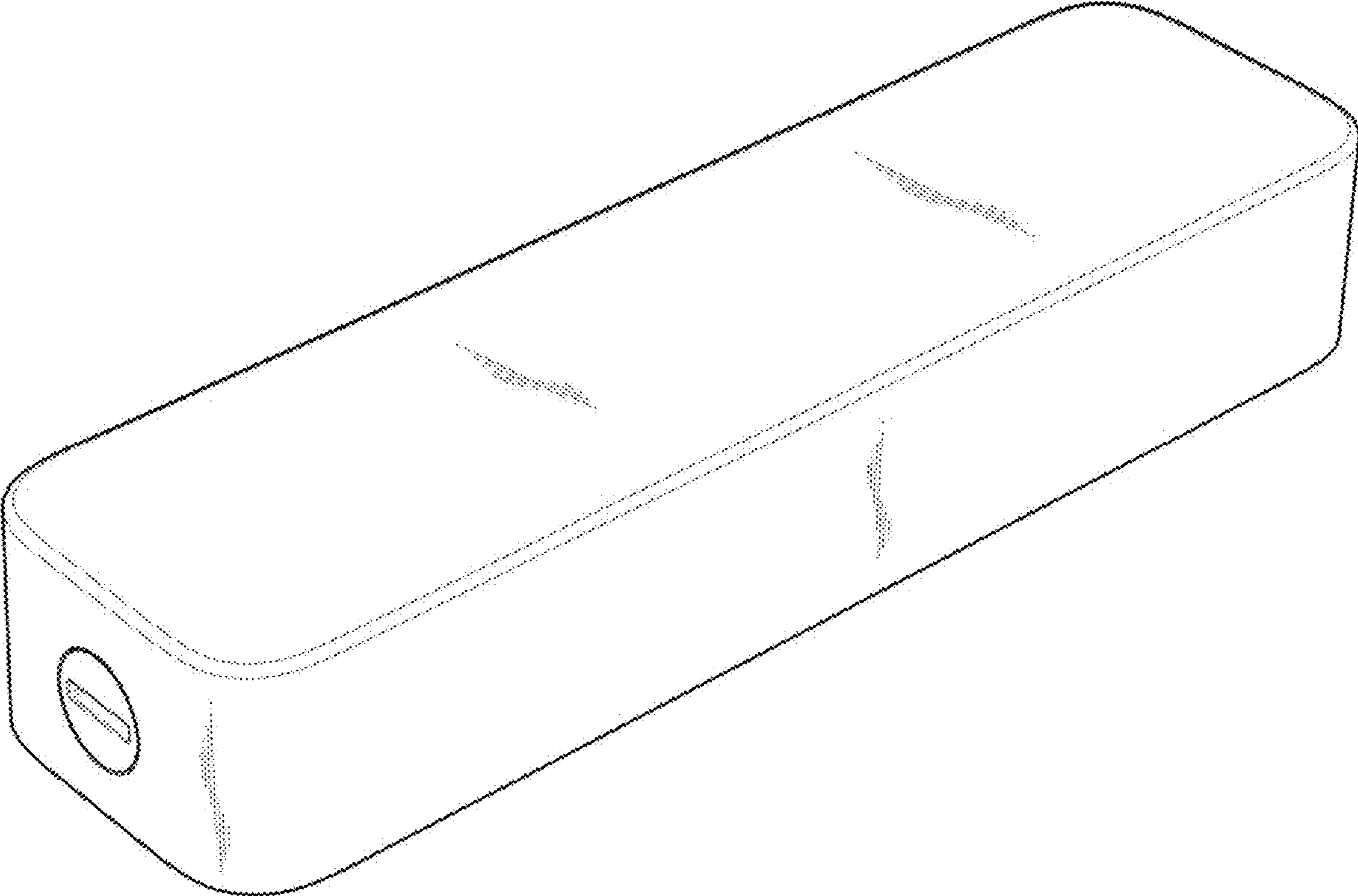


Fig. 2

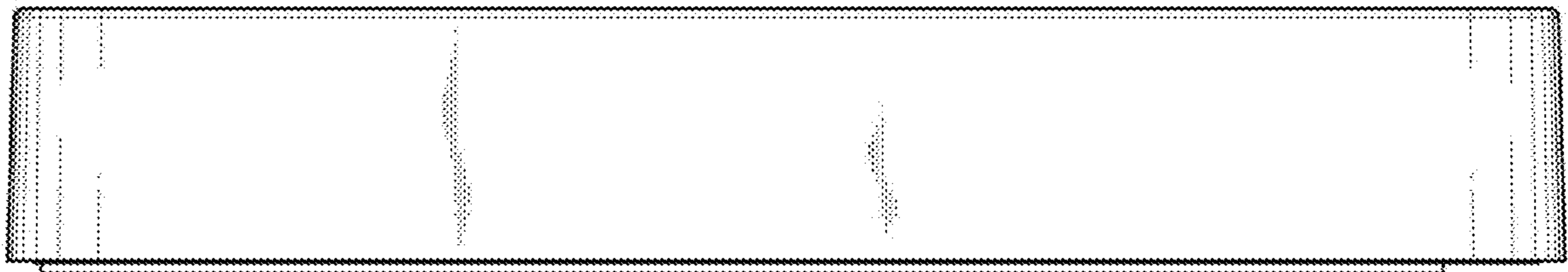


Fig. 3

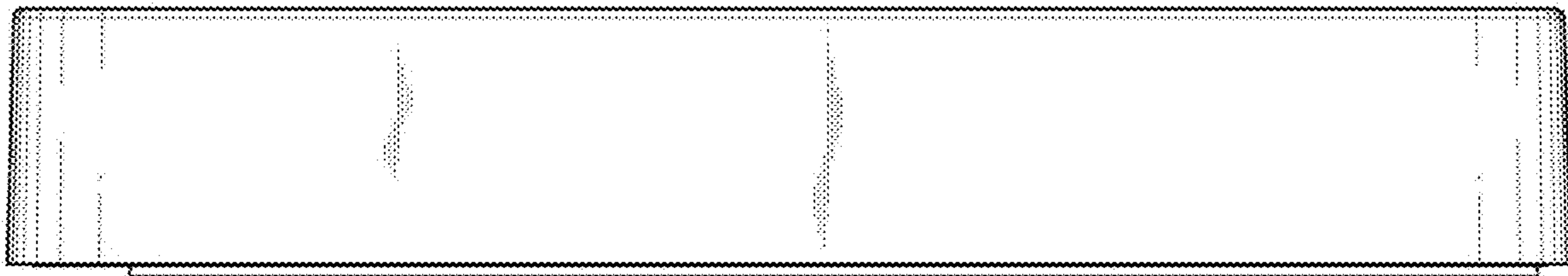


Fig. 4

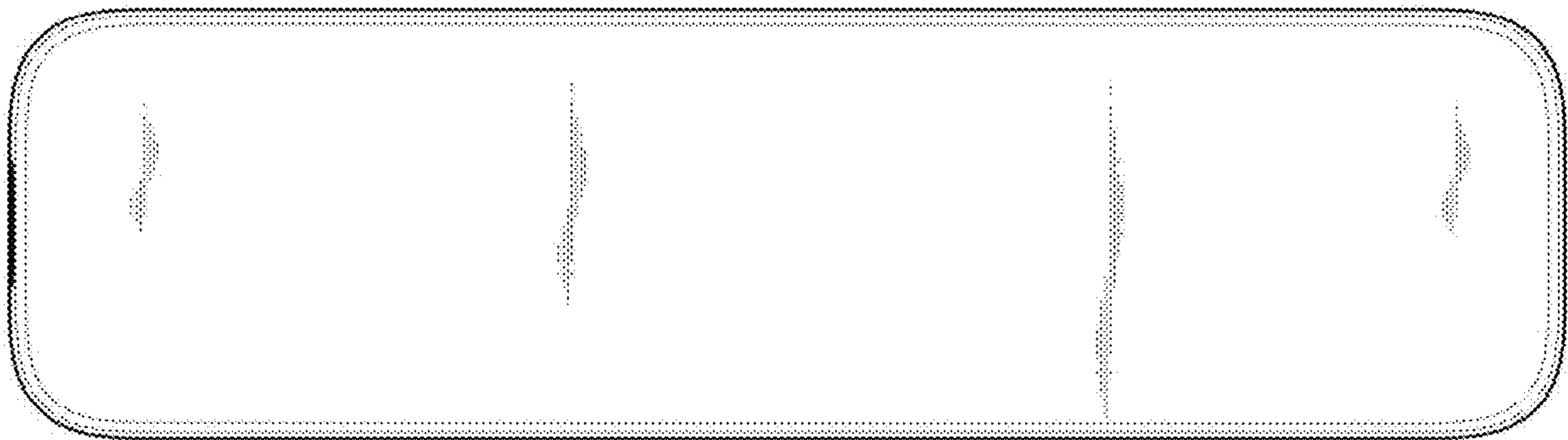


Fig. 5

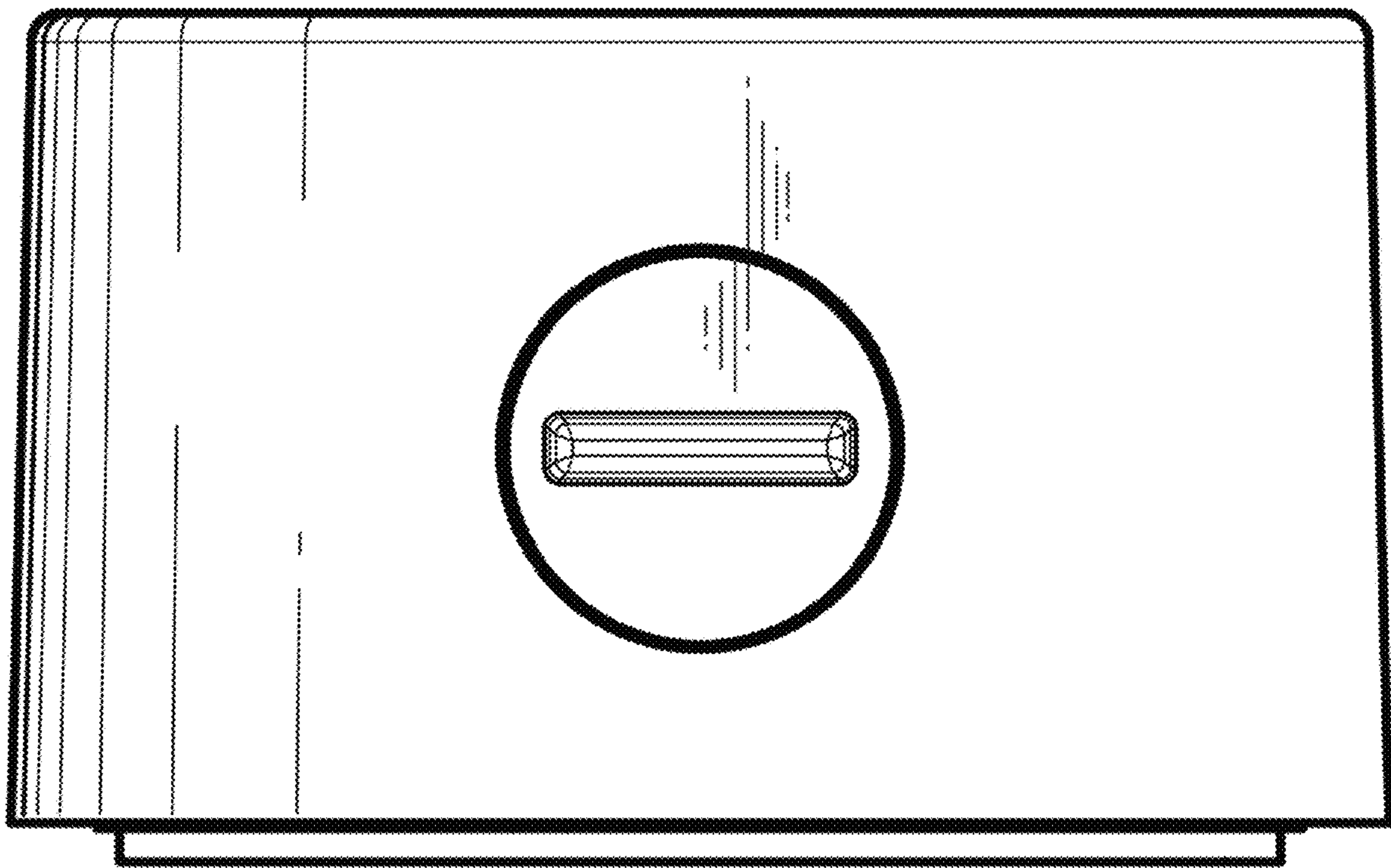


Fig. 6

