

US00D904911S

(12) **United States Design Patent**
Lu

(10) **Patent No.:** **US D904,911 S**
(45) **Date of Patent:** **** Dec. 15, 2020**

(54) **TIRE PRESSURE SENSOR**

(71) Applicant: **AUTEL INTELLIGENT TECHNOLOGY CORP., LTD.**,
Guangdong (CN)

(72) Inventor: **Boming Lu**, Guangdong (CN)

(73) Assignee: **AUTEL INTELLIGENT TECHNOLOGY CORP., LTD.**,
Shenzhen (CN)

(**) Term: **15 Years**

(21) Appl. No.: **29/685,207**

(22) Filed: **Mar. 27, 2019**

(30) **Foreign Application Priority Data**

Sep. 27, 2018 (CN) 2018 3 0546437

(51) **LOC (12) Cl.** **10-04**

(52) **U.S. Cl.**
USPC **D10/86**

(58) **Field of Classification Search**
USPC D10/86
CPC . B60C 23/0408; B60C 23/0494; G01L 7/043;
G01L 7/00-7/24; G01L 13/00-13/06;
G01L 15/00; G01L 17/00-17/005; G01L
19/00-19/16; G01L 23/00-23/32; G01L
27/00-23/02; G05D 16/00-16/2093;
G05D 7/00-7/0694; G05D 11/00-11/16;
G05D 13/00-13/66; G05D 23/00-23/32
See application file for complete search history.

(56) **References Cited**

U.S. PATENT DOCUMENTS

8,047,068 B2 * 11/2011 Hamm B60C 23/0408
73/146.5
D653,567 S * 2/2012 Yamada D10/86

D653,568 S * 2/2012 Yamada D10/86
D653,569 S * 2/2012 Yamada D10/86
D653,570 S * 2/2012 Yamada D10/86
D655,635 S * 3/2012 Yamada D10/86
9,417,158 B2 * 8/2016 Kempf B60C 23/0494
9,475,350 B2 * 10/2016 Lo B60C 23/0494
9,499,016 B2 * 11/2016 Daniau B60C 23/0494
9,656,523 B2 * 5/2017 Gorenzweig B60C 23/0408
9,669,669 B2 * 6/2017 Gorenzweig B60C 23/0494
D801,836 S * 11/2017 Surendra D10/86
9,891,045 B2 * 2/2018 Vassilieff B60C 23/0481
10,000,099 B2 * 6/2018 Gorenzweig B60C 23/0494
D847,677 S * 5/2019 Lu B60C 23/0408
D10/86
10,352,478 B2 * 7/2019 Taki B60C 23/0408
D873,162 S * 1/2020 Lu D10/86
10,688,838 B2 * 6/2020 Capdepon B60C 23/0494

* cited by examiner

Primary Examiner — Antoine Duval Davis

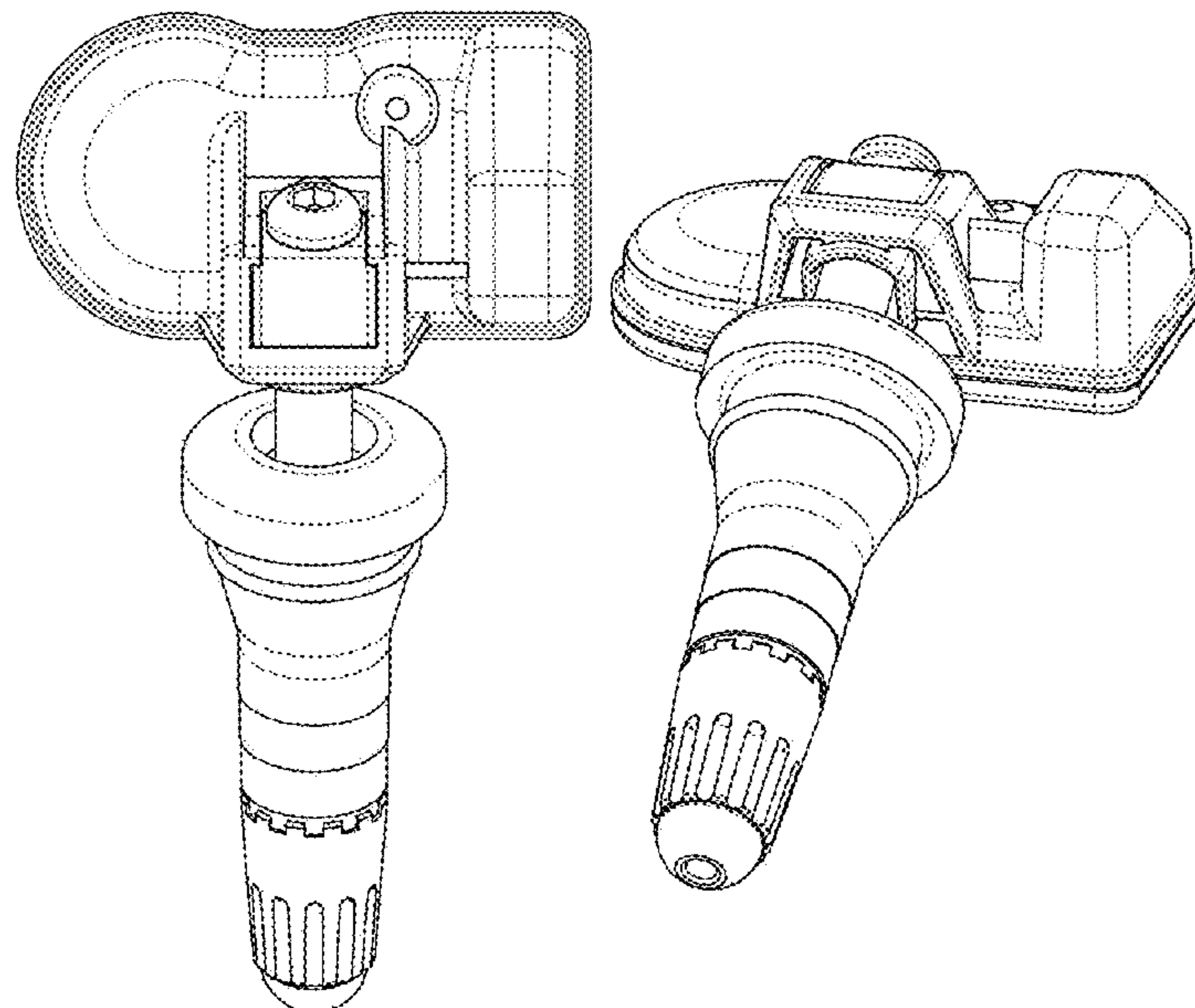
(57) **CLAIM**

I claim the ornamental design for a tire pressure sensor, as shown and described.

DESCRIPTION

FIG. 1 is a front elevational view of a tire pressure sensor showing our new design;
FIG. 2 is a back elevational view thereof;
FIG. 3 is a left side elevational view thereof;
FIG. 4 is a right side elevational view thereof;
FIG. 5 is a top plan view thereof;
FIG. 6 is a bottom plan view thereof;
FIG. 7 is a perspective view thereof; and,
FIG. 8 is another perspective view thereof.

1 Claim, 6 Drawing Sheets



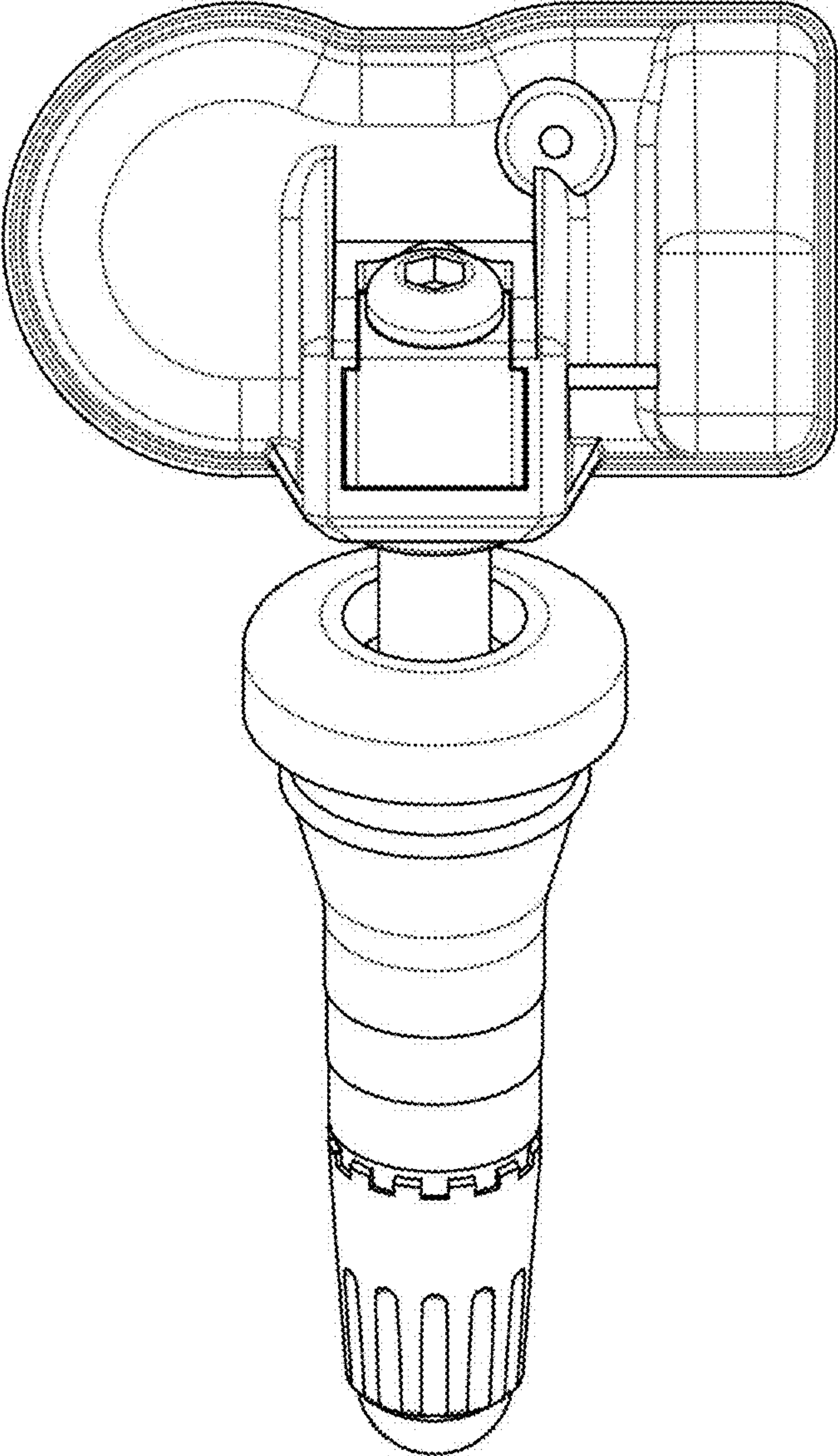


FIG.1

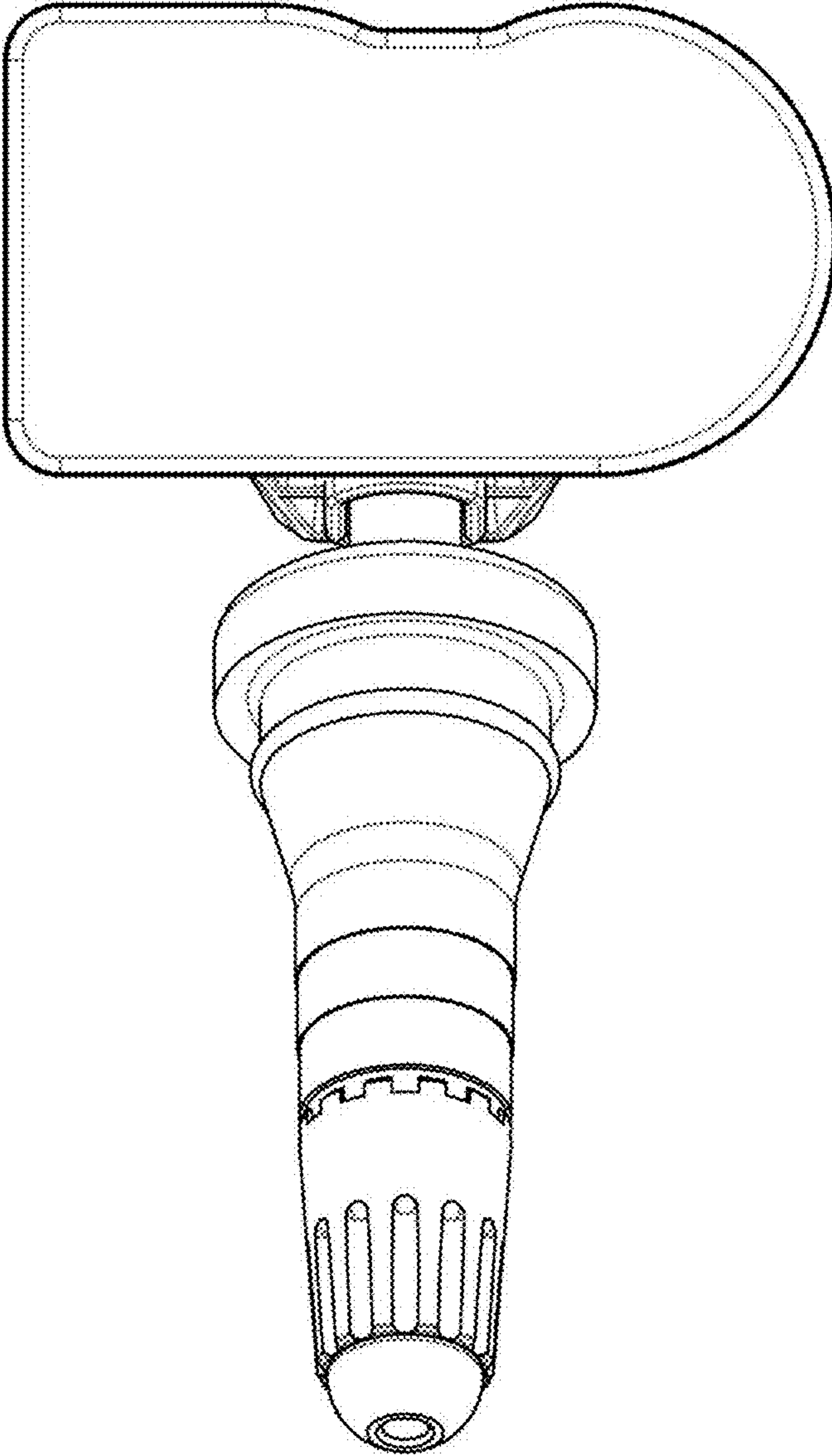


FIG.2

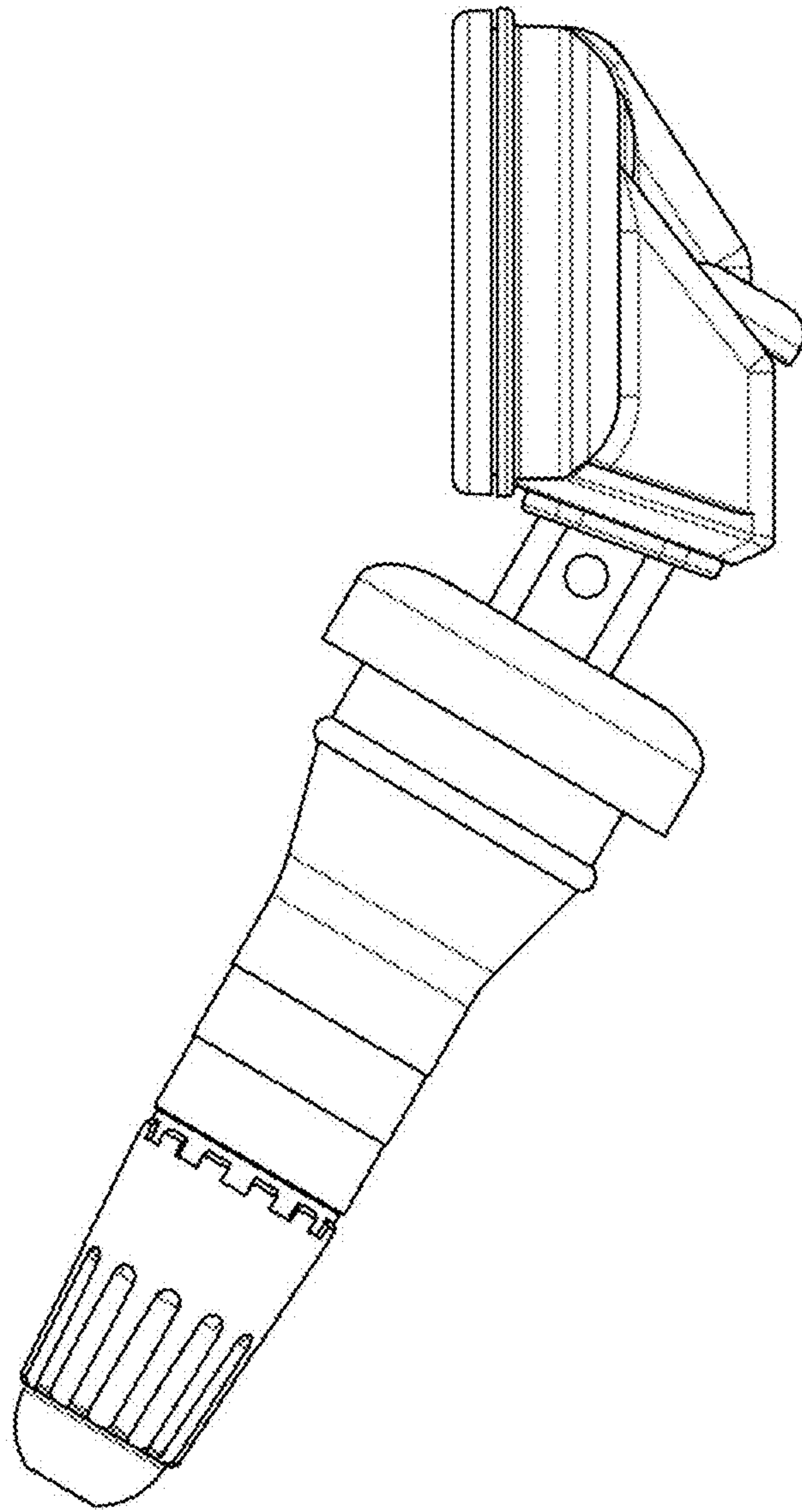


FIG.3

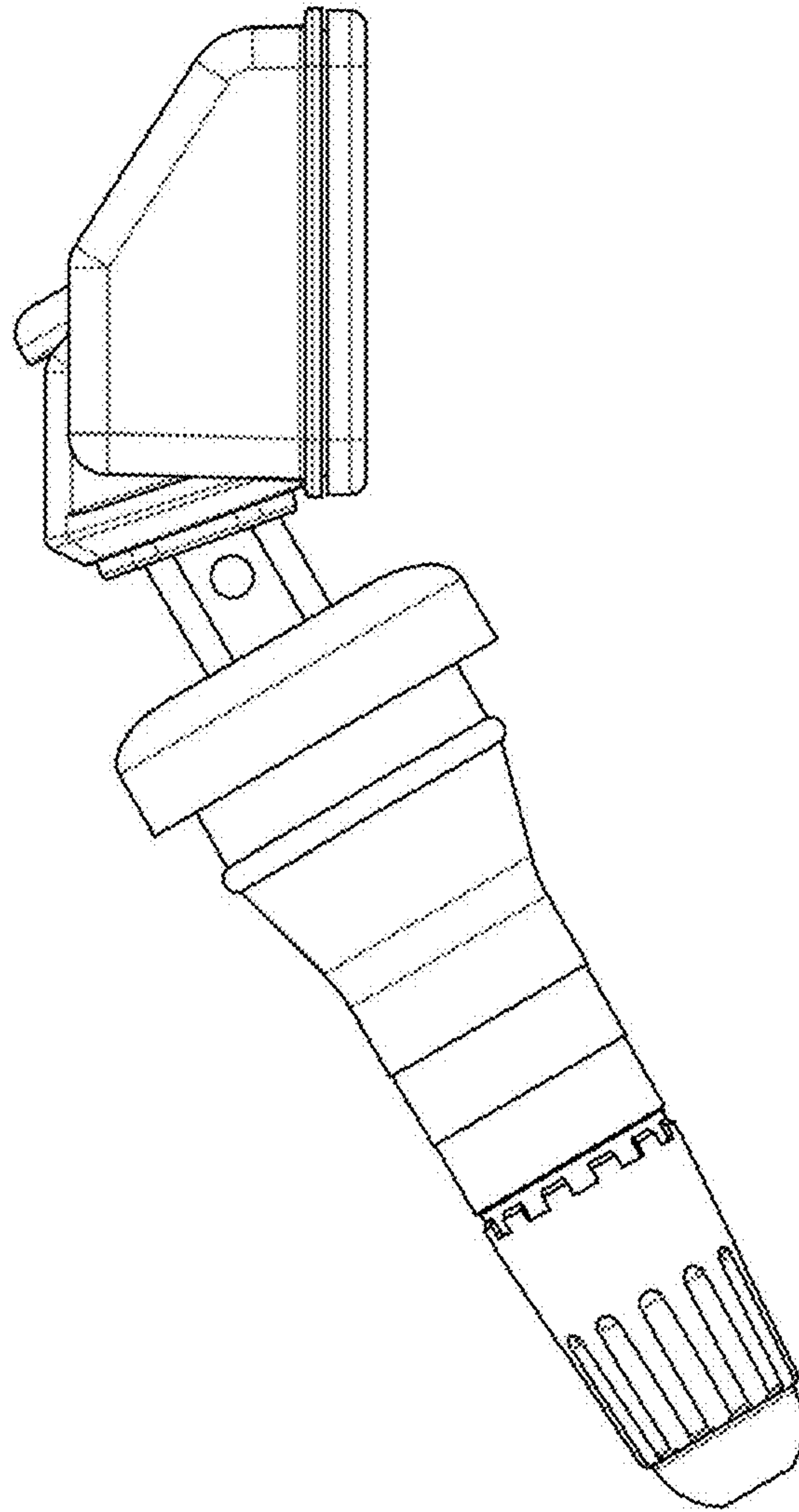


FIG. 4

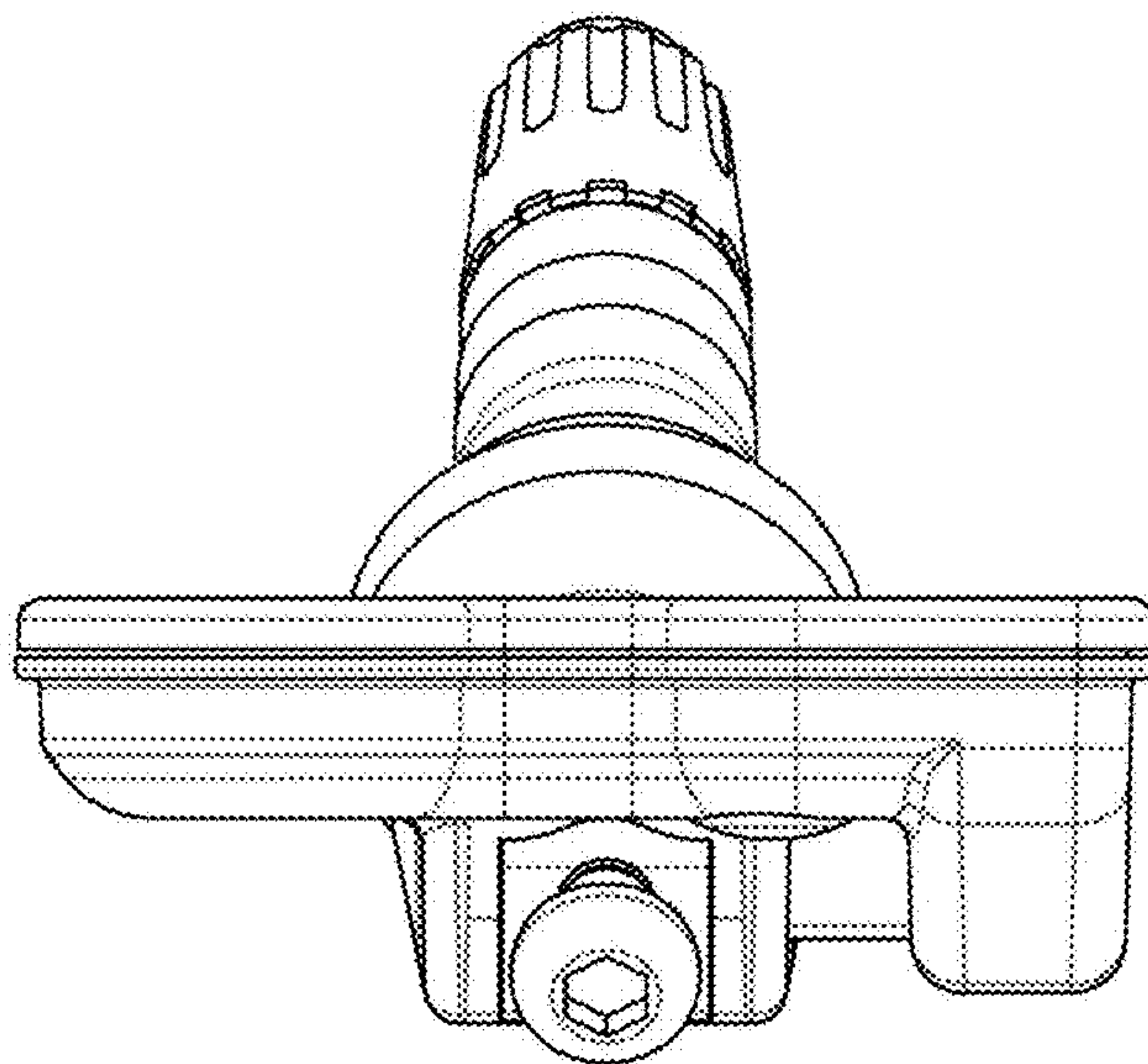


FIG. 5

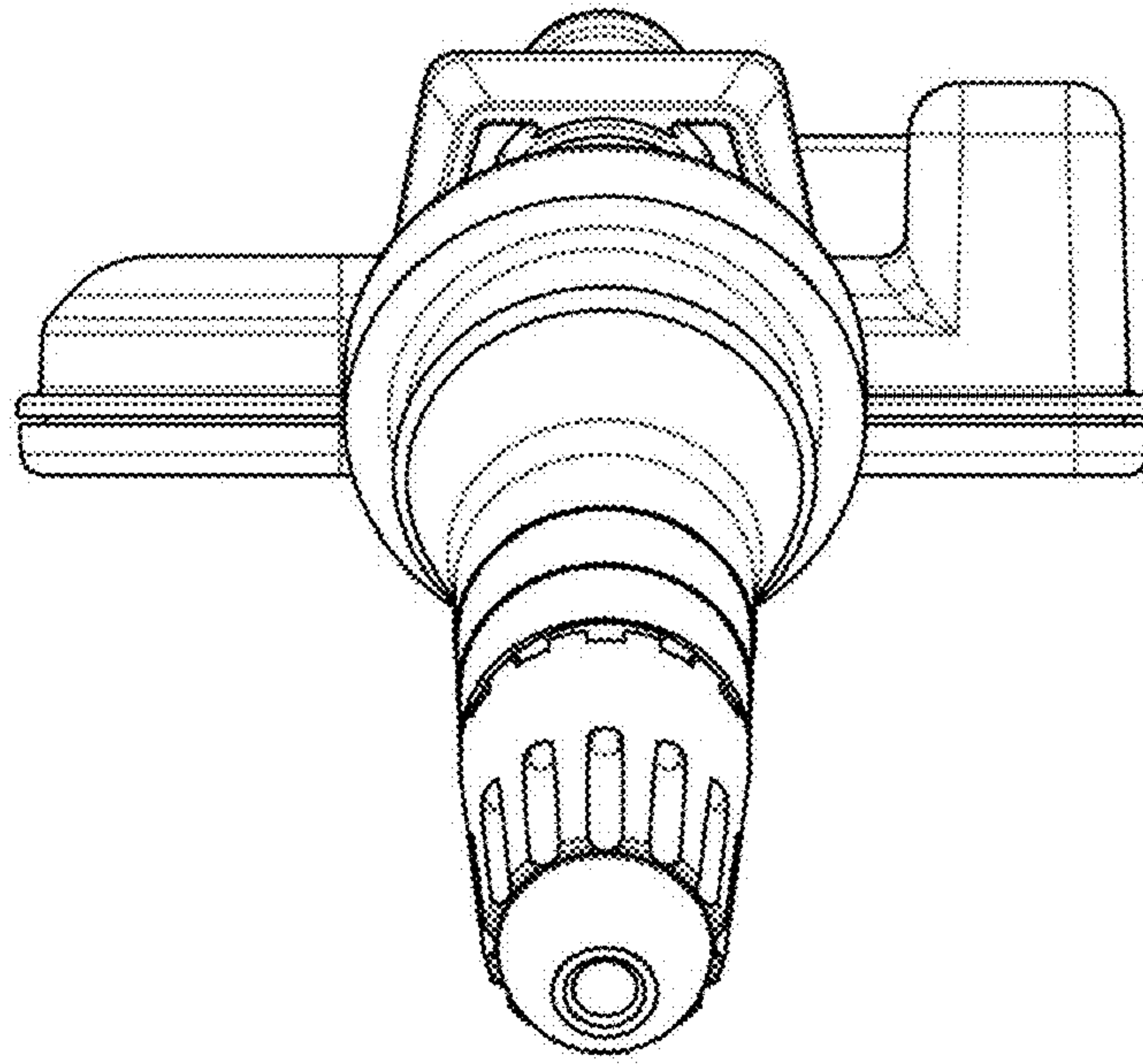


FIG. 6

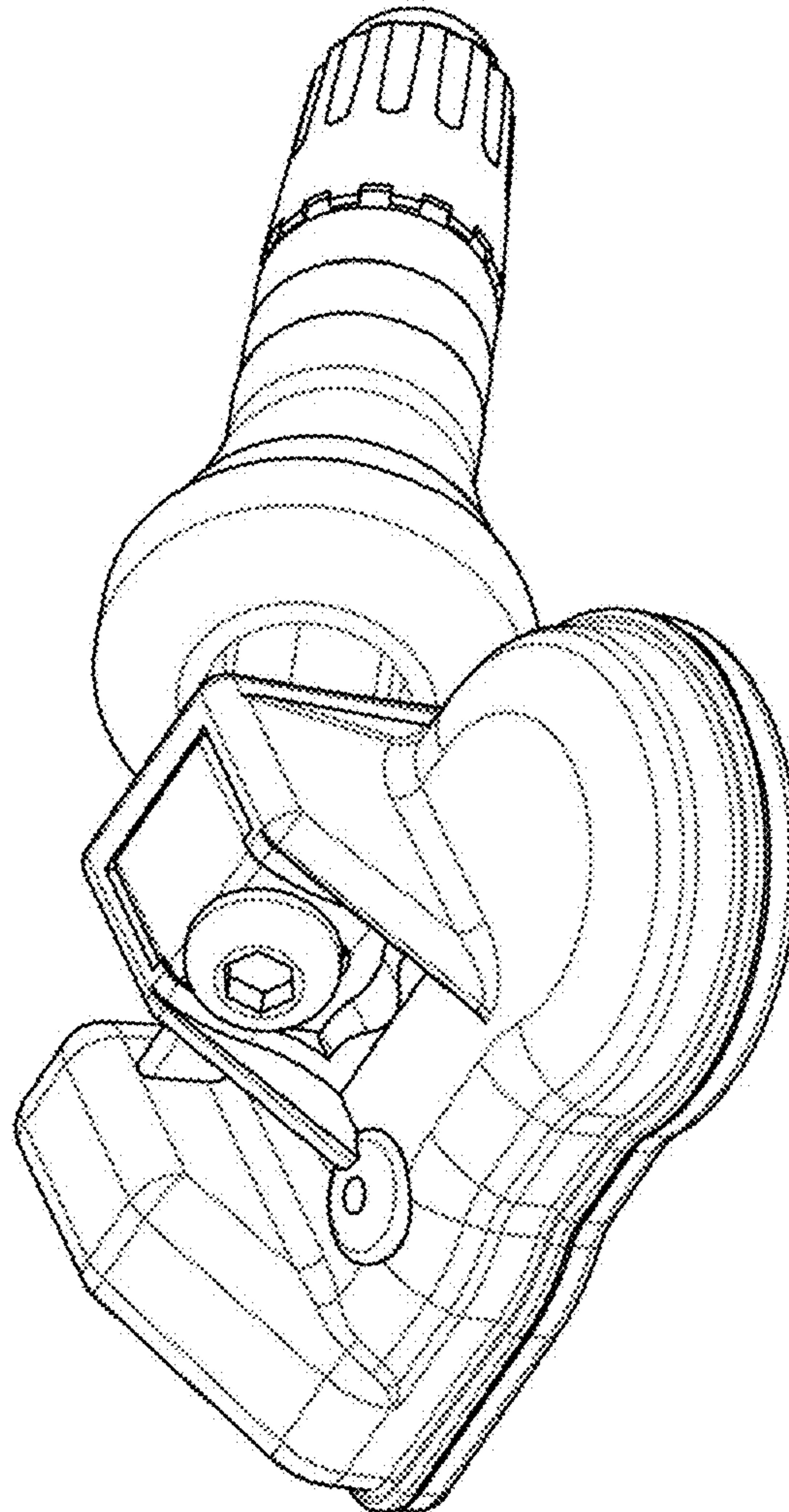


FIG. 7

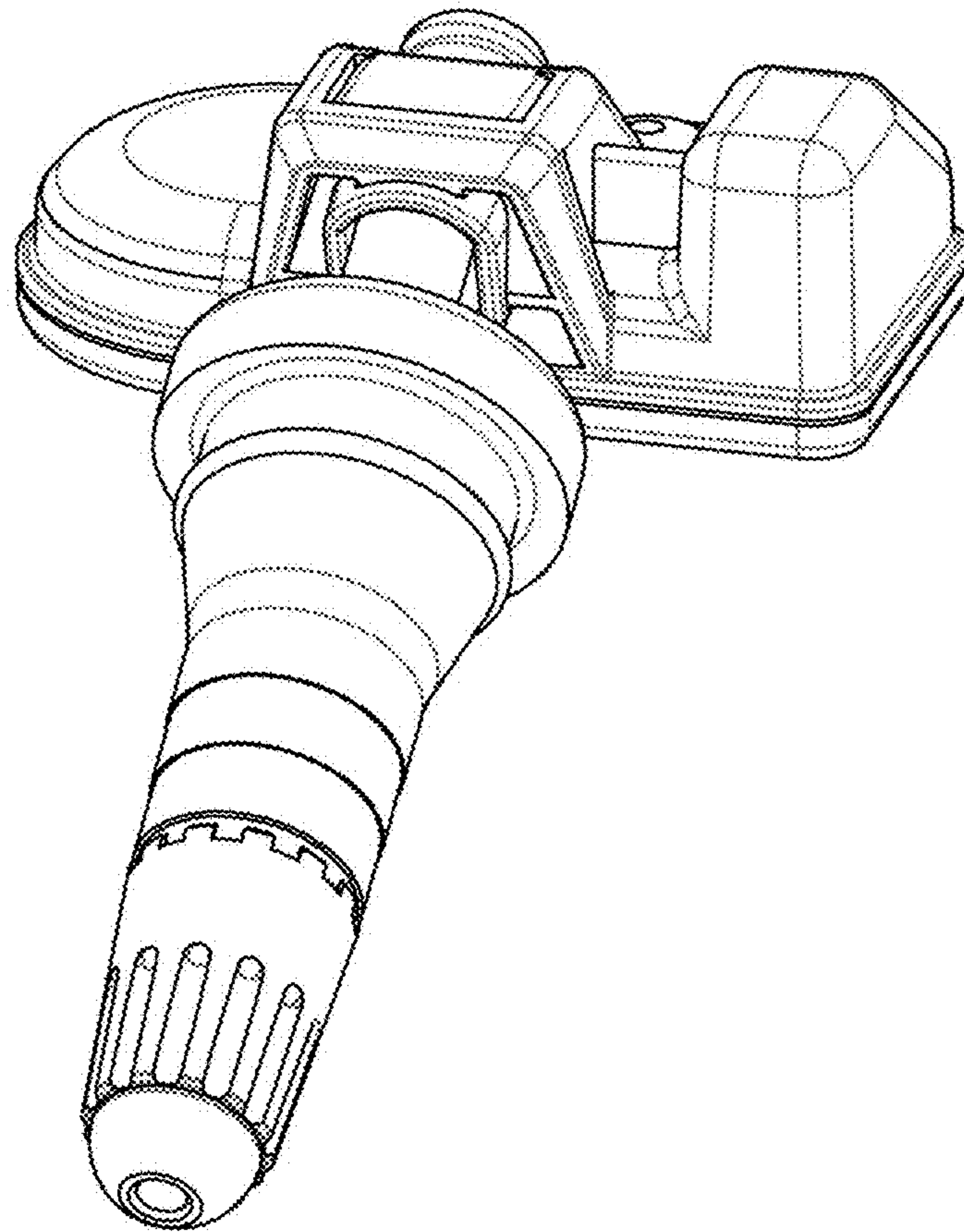


FIG.8