



US00D904910S

(12) **United States Design Patent** (10) **Patent No.:** **US D904,910 S**
Bernhardt et al. (45) **Date of Patent:** **** Dec. 15, 2020**

(54) **ELECTRICITY METER**

(71) Applicant: **Isabellenhütte Heusler GmbH & Co. KG, Dillenburg (DE)**

(72) Inventors: **Florian Bernhardt, Dillenburg-Manderbach (DE); Andreas Lepper, Hohenahr (DE); Michael Pollmann, Dillenburg (DE)**

(**) Term: **15 Years**

(21) Appl. No.: **35/507,355**

(22) Filed: **Feb. 25, 2019**

(80) **Hague Agreement Data**

Int. Filing Date: **Feb. 25, 2019**
Int. Reg. No.: **DM/201231**
Int. Reg. Date: **Feb. 25, 2019**
Int. Reg. Pub. Date: **Aug. 30, 2019**

(30) **Foreign Application Priority Data**

Sep. 21, 2018 (EM) 005652310

(51) **LOC (12) Cl.** **10-04**

(52) **U.S. Cl.**
USPC **D10/75; D10/78**

(58) **Field of Classification Search**
USPC D10/46, 75, 80, 96, 97, 99, 103,
D10/106.1–106.95; D13/184; D14/240
CPC G01R 21/00; G01R 21/001; G01R 21/002;
G01R 21/005; G01R 21/007
See application file for complete search history.

(56) **References Cited**

U.S. PATENT DOCUMENTS

D194,786 S * 3/1963 Leotta D10/103
D297,136 S * 8/1988 Collins D10/75

D307,399 S * 4/1990 Collister D10/46
D316,682 S * 5/1991 Eng D10/75
D332,416 S * 1/1993 Craig D10/100
D339,077 S * 9/1993 Chretien D10/75
D499,069 S * 11/2004 Stanush D13/152
D595,601 S * 7/2009 Gallon D10/75
D631,446 S * 1/2011 Lanfear D13/162
D754,613 S * 4/2016 Downs D10/96
D842,736 S * 3/2019 Laurino D10/96
D851,512 S * 6/2019 Laurino D10/75
D858,323 S * 9/2019 Gatti D10/75
D864,004 S * 10/2019 Krissel D10/96
D879,634 S * 3/2020 Karbing D10/96

* cited by examiner

Primary Examiner — George D. Kirschbaum
Assistant Examiner — Joseph J Kukella

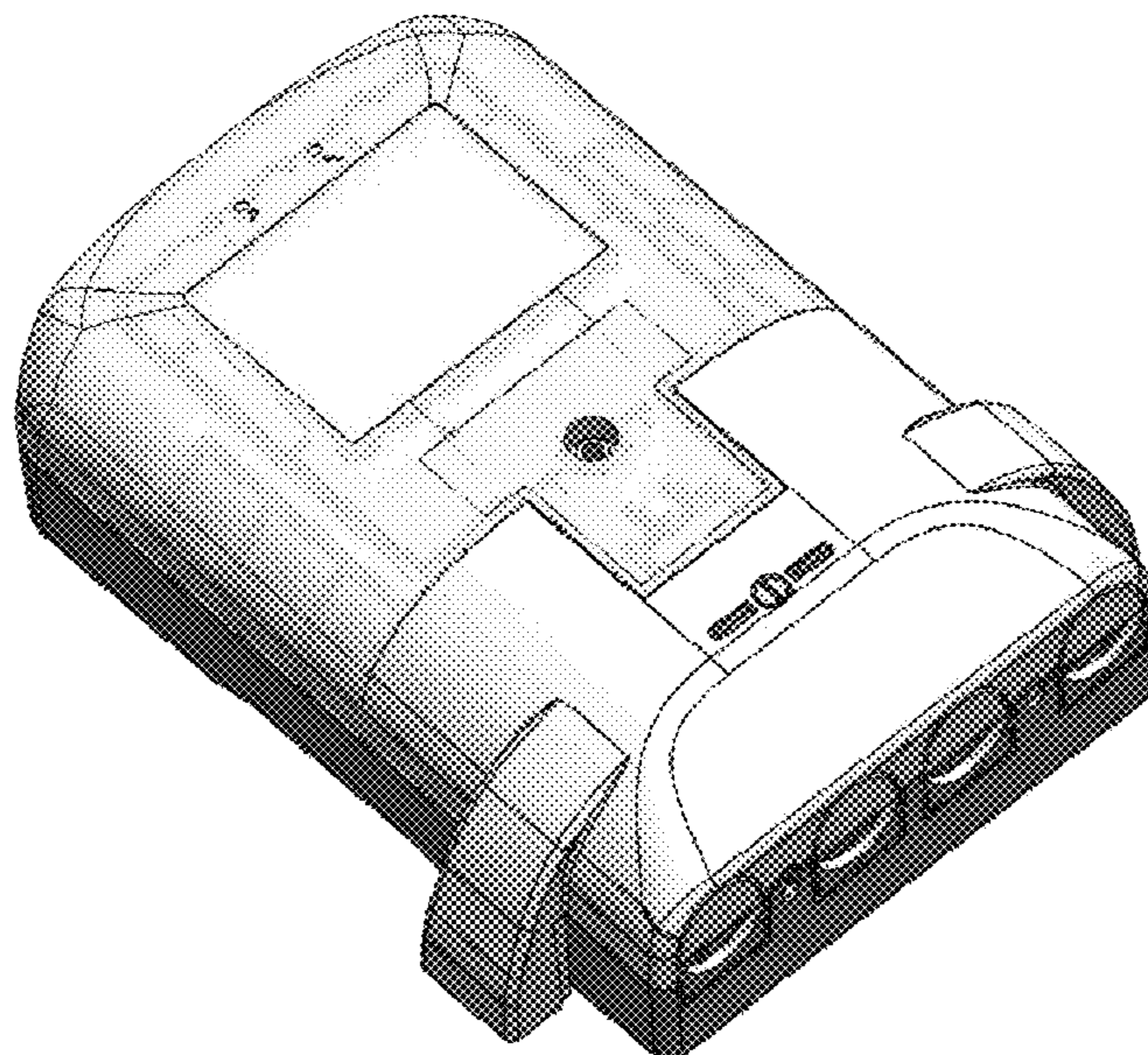
(57) **CLAIM**

The ornamental design for an electricity meter, as shown and described.

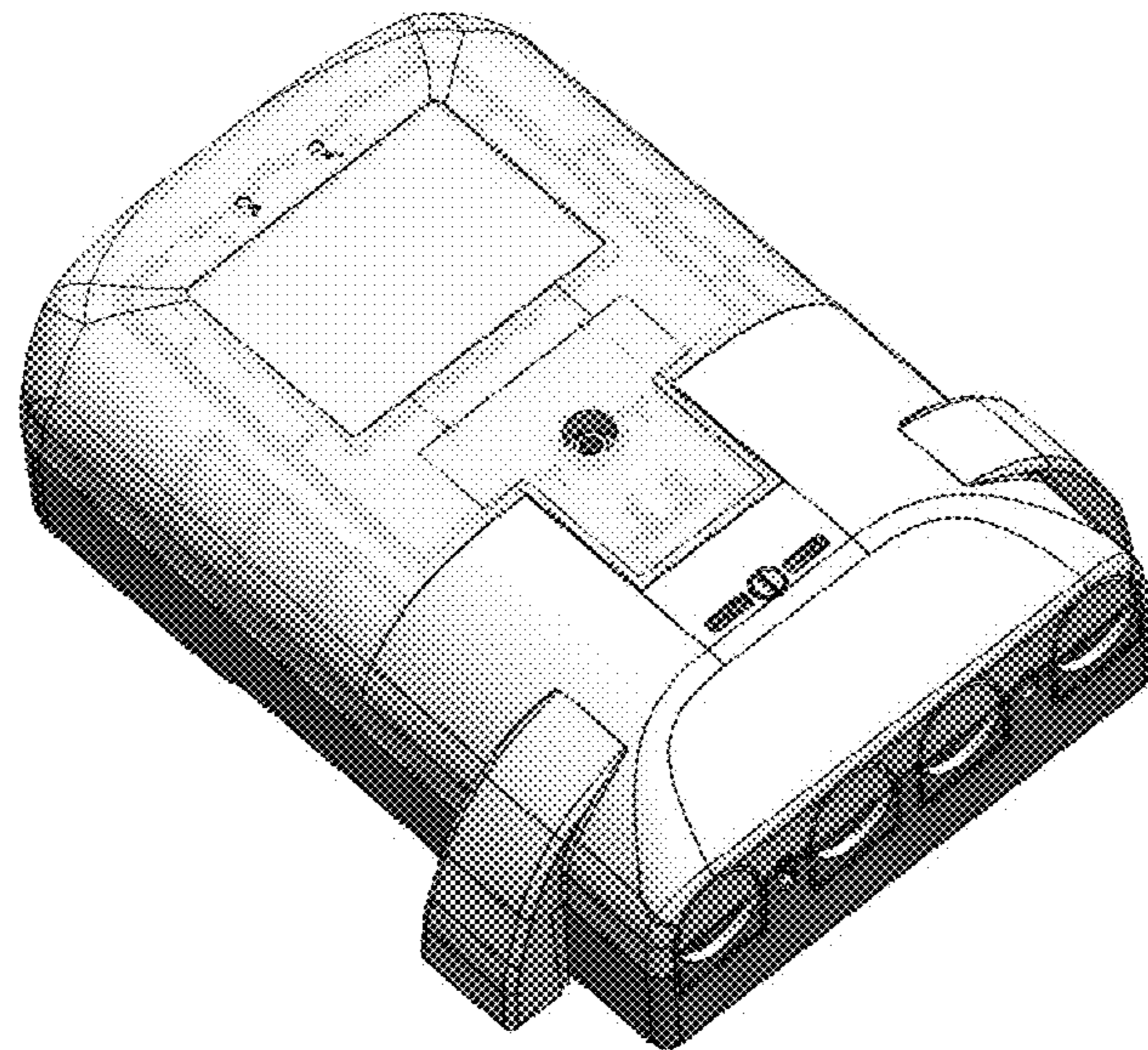
DESCRIPTION

1.1 is a front perspective view of the electricity meter showing the new design.
1.2 is a rear elevation view thereof.
1.3 is a right side elevation view thereof.
1.4 is a top elevation view thereof.
1.5 is a front elevation view thereof.
1.6 is a left side elevation view thereof.
1.7 is a bottom elevation view thereof.
The features shown in broken lines in the drawings depict portions of the design that form no part of the claimed design.

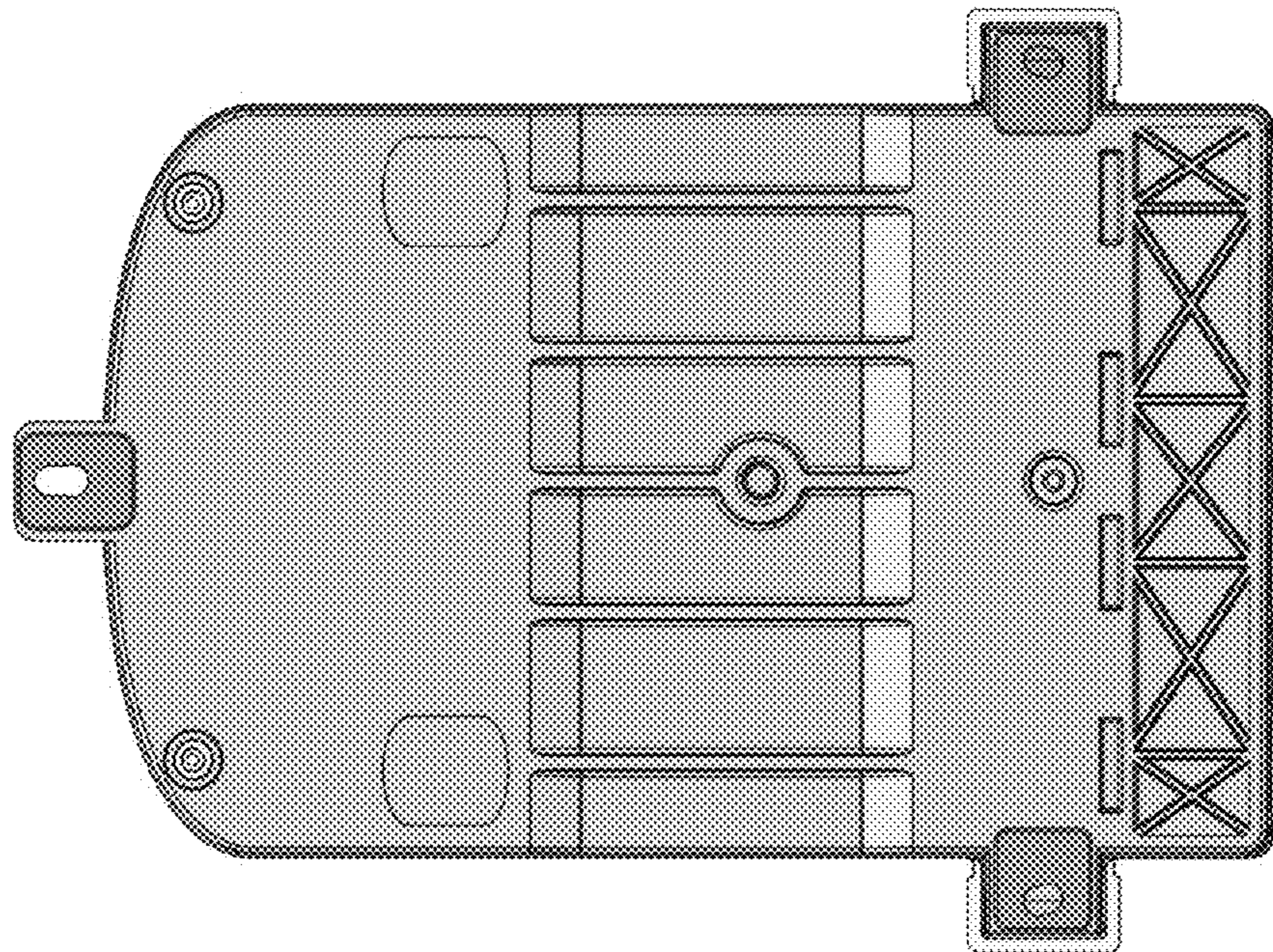
1 Claim, 7 Drawing Sheets



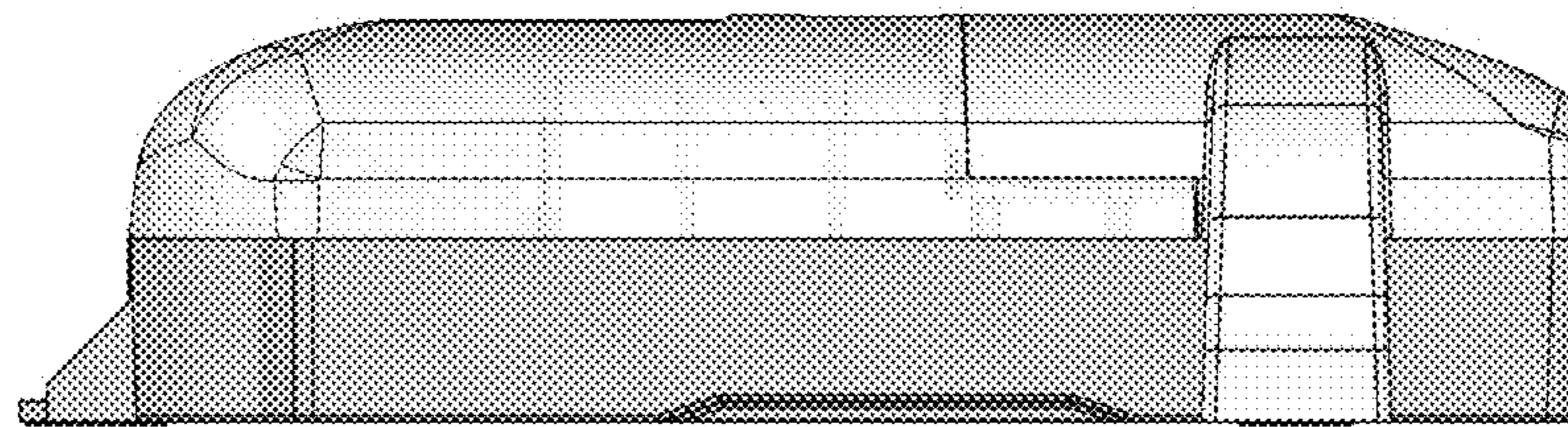
1.1



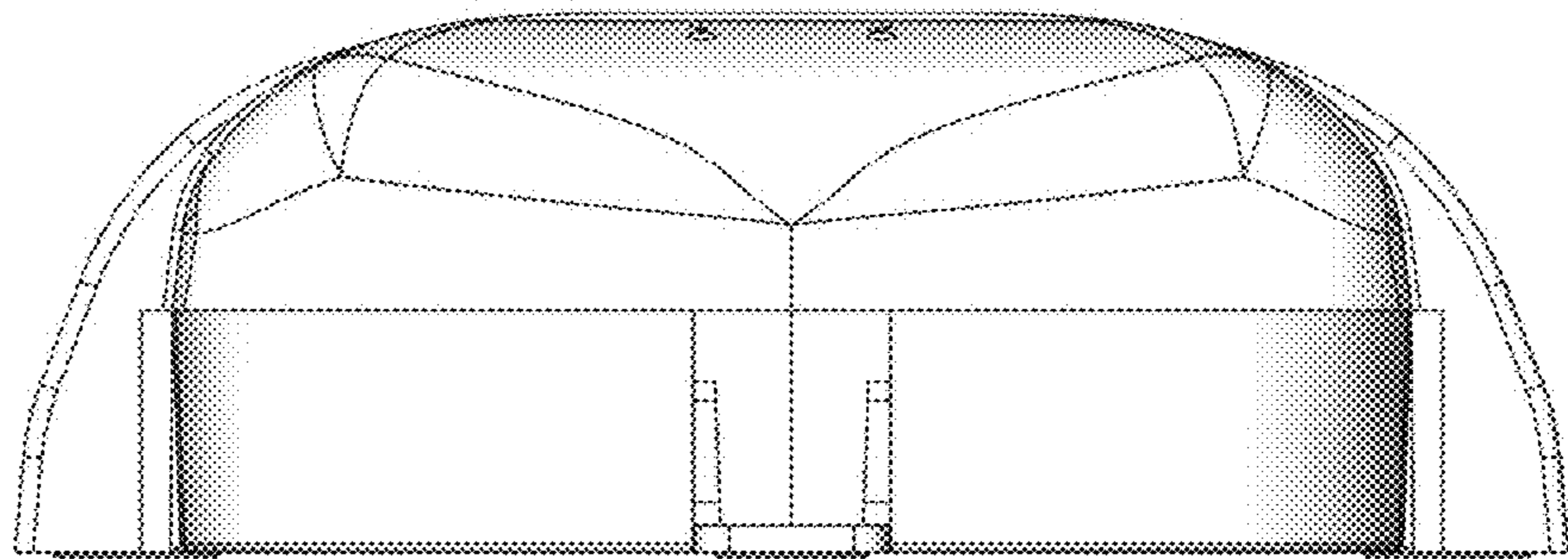
1.2



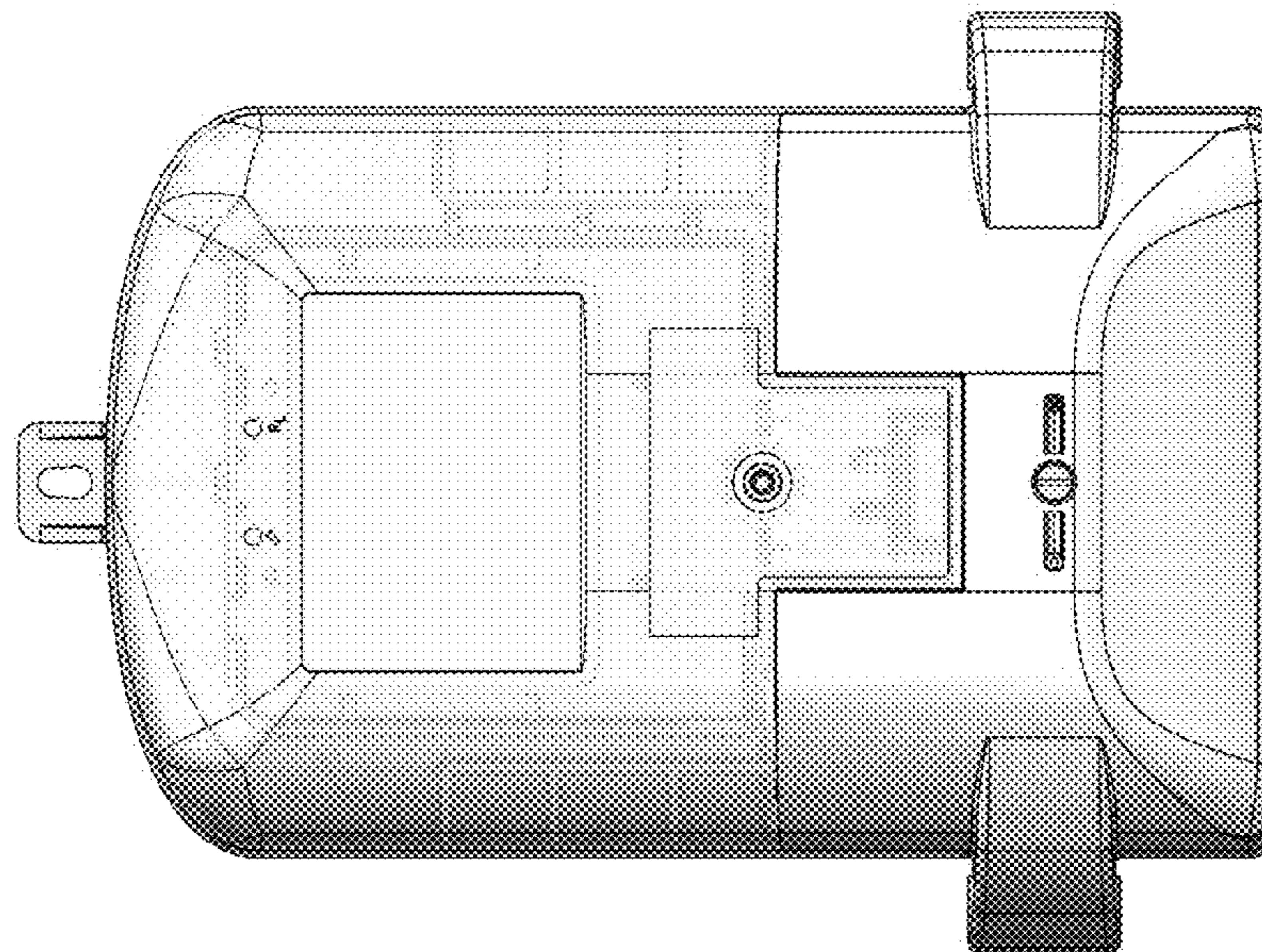
1.3



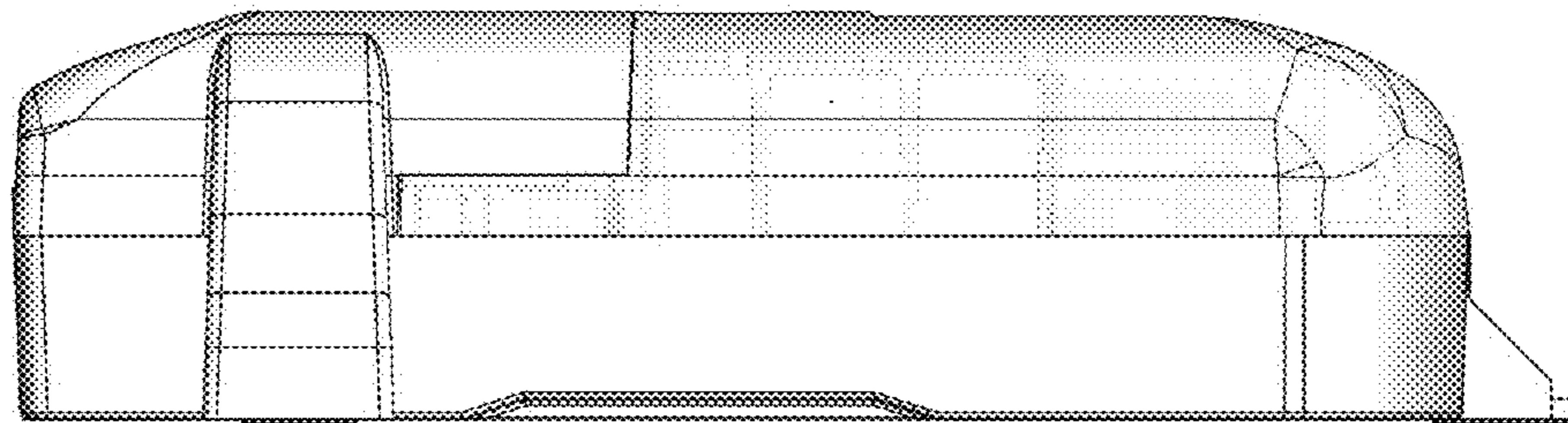
1.4



1.5



1.6



1.7

