



US00D904909S

(12) **United States Design Patent** (10) **Patent No.:** **US D904,909 S**  
**Duff et al.** (45) **Date of Patent:** **\*\* Dec. 15, 2020**

(54) **SENSOR HOUSING**

(71) Applicant: **Waymo LLC**, Mountain View, CA (US)

(72) Inventors: **David Gordon Duff**, Mountain View, CA (US); **Blaise Gassend**, East Palo Alto, CA (US); **Ryan Davis**, Woodside, CA (US); **Ralph Hamilton Shepard**, Menlo Park, CA (US); **John Massey**, San Jose, CA (US); **Pierre-Yves Droz**, Los Altos, CA (US)

(73) Assignee: **Waymo LLC**, Mountain View, CA (US)

(\*\*) Term: **15 Years**

(21) Appl. No.: **29/669,351**

(22) Filed: **Nov. 7, 2018**

(51) **LOC (12) Cl.** ..... **10-04**

(52) **U.S. Cl.**  
USPC ..... **D10/70**

(58) **Field of Classification Search**  
USPC ..... D10/70, 75, 102, 103  
See application file for complete search history.

(56) **References Cited**

**U.S. PATENT DOCUMENTS**

D634,226 S \* 3/2011 Rauch ..... D10/75  
D797,582 S \* 9/2017 Ewringmann ..... D10/70

D850,964 S \* 6/2019 Maggard ..... D10/103  
D860,013 S \* 9/2019 Ahn ..... D10/70  
D874,957 S \* 2/2020 Ahn ..... D10/70  
D878,944 S \* 3/2020 Krywyj ..... D10/102

\* cited by examiner

*Primary Examiner* — George D. Kirschbaum  
(74) *Attorney, Agent, or Firm* — Botos Churchill IP Law

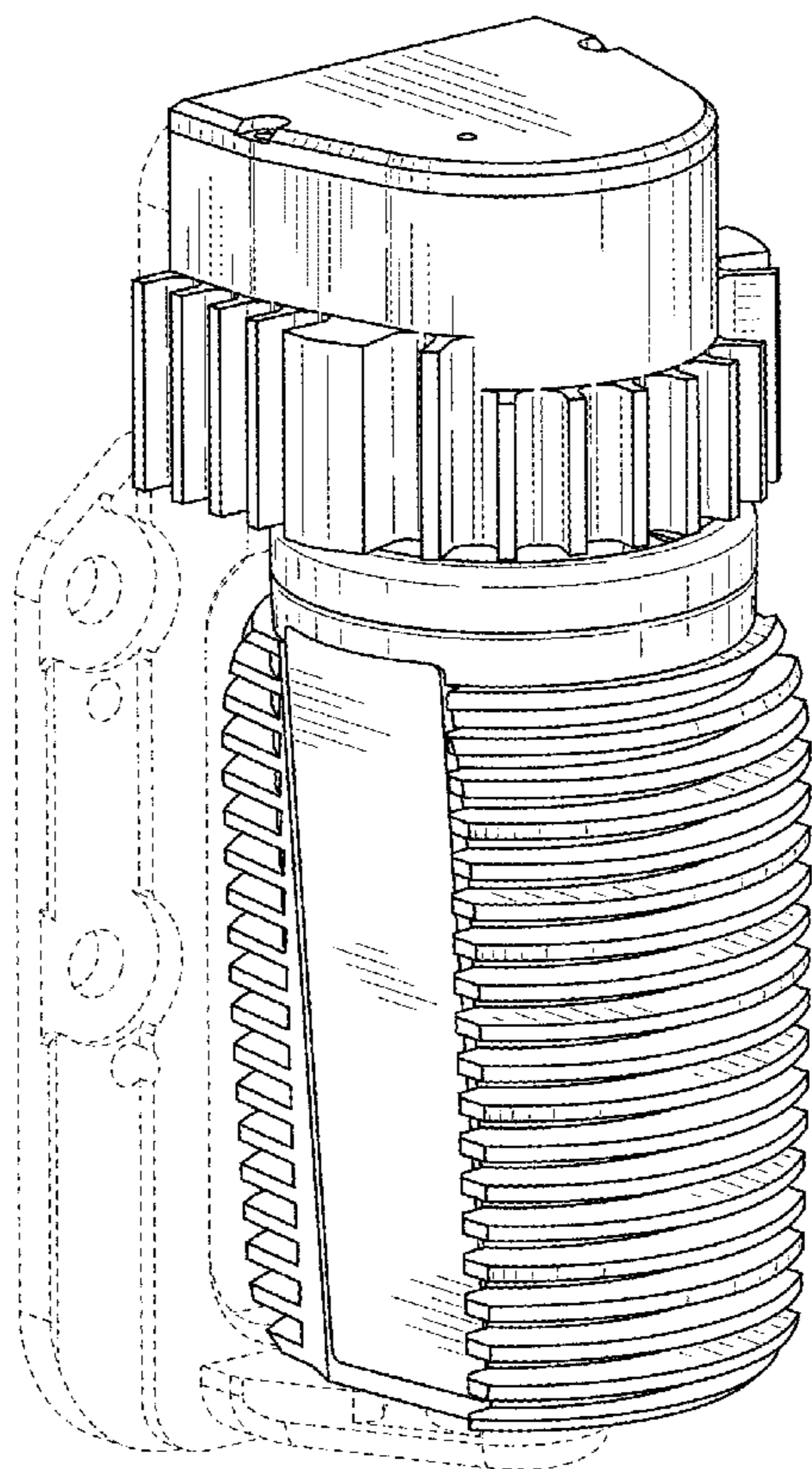
(57) **CLAIM**

The ornamental design for a sensor housing, as shown and described.

**DESCRIPTION**

FIG. 1 is front perspective view of a sensor housing according to our design;  
FIG. 2 is a front view thereof;  
FIG. 3 is a rear view thereof;  
FIG. 4 is a left side view thereof;  
FIG. 5 is a right side view thereof;  
FIG. 6 is a top view thereof; and,  
FIG. 7 is a bottom view thereof.  
The features illustrated in broken lines form no part of the claimed design.

**1 Claim, 4 Drawing Sheets**



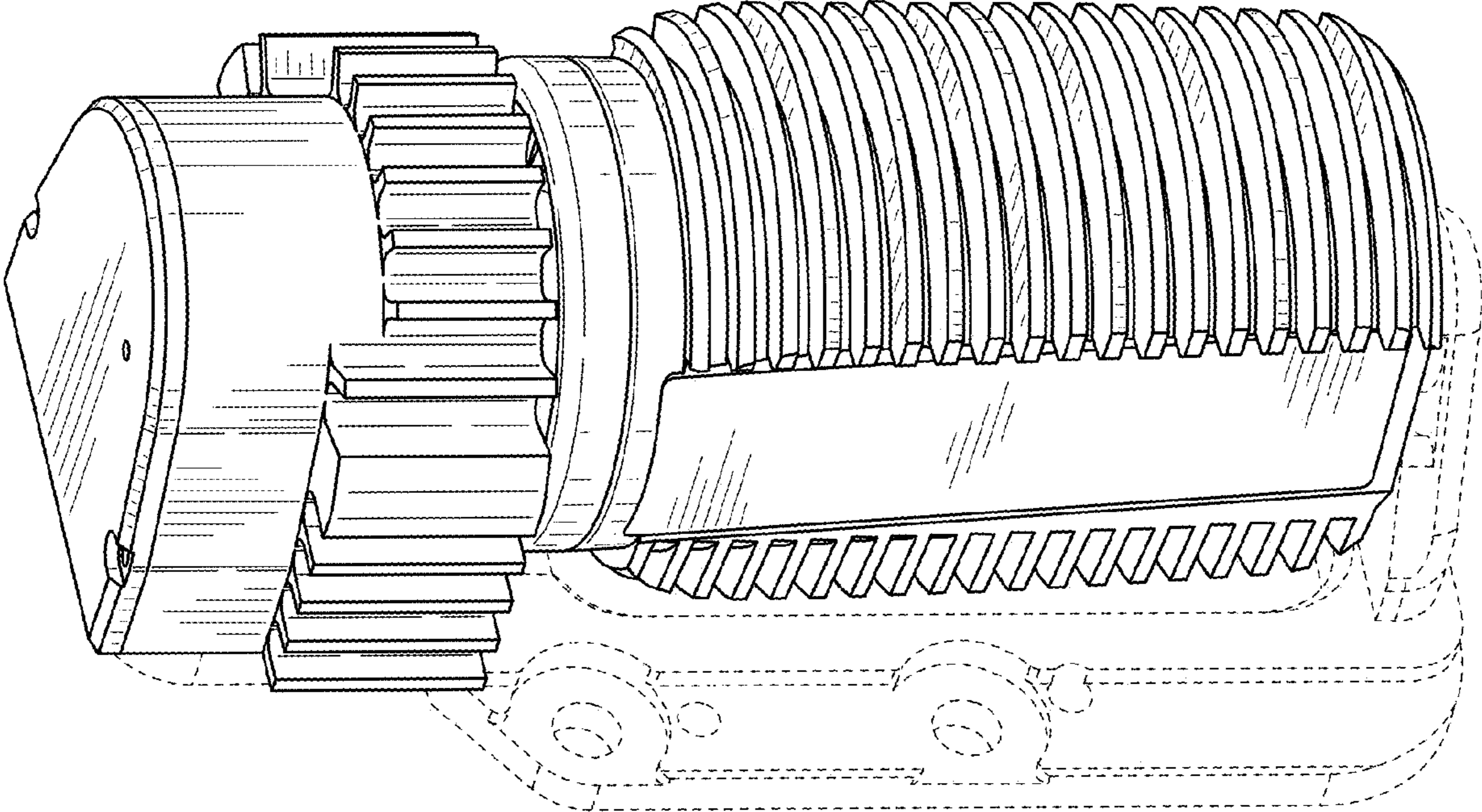


FIG. 1

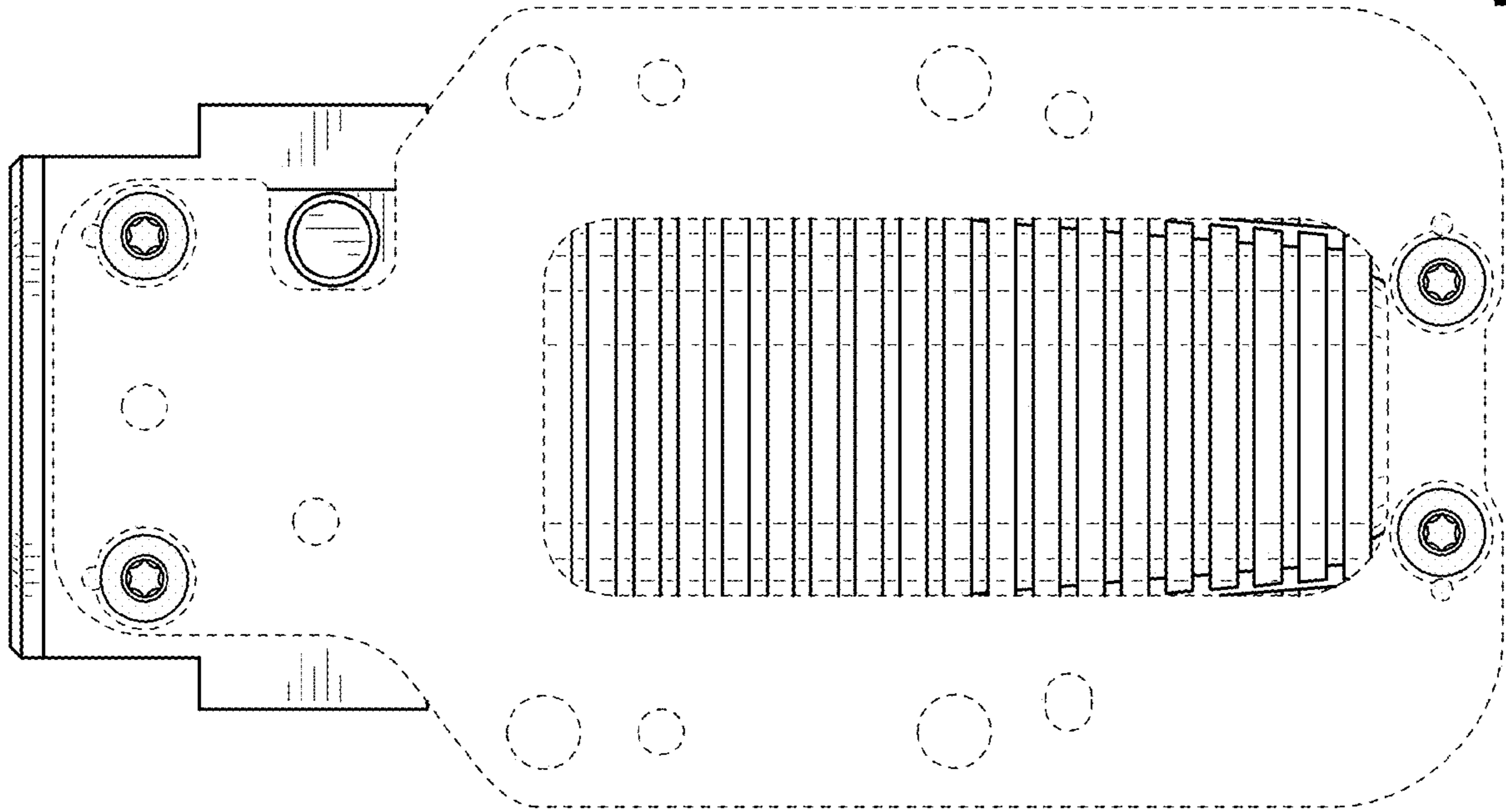


FIG. 3

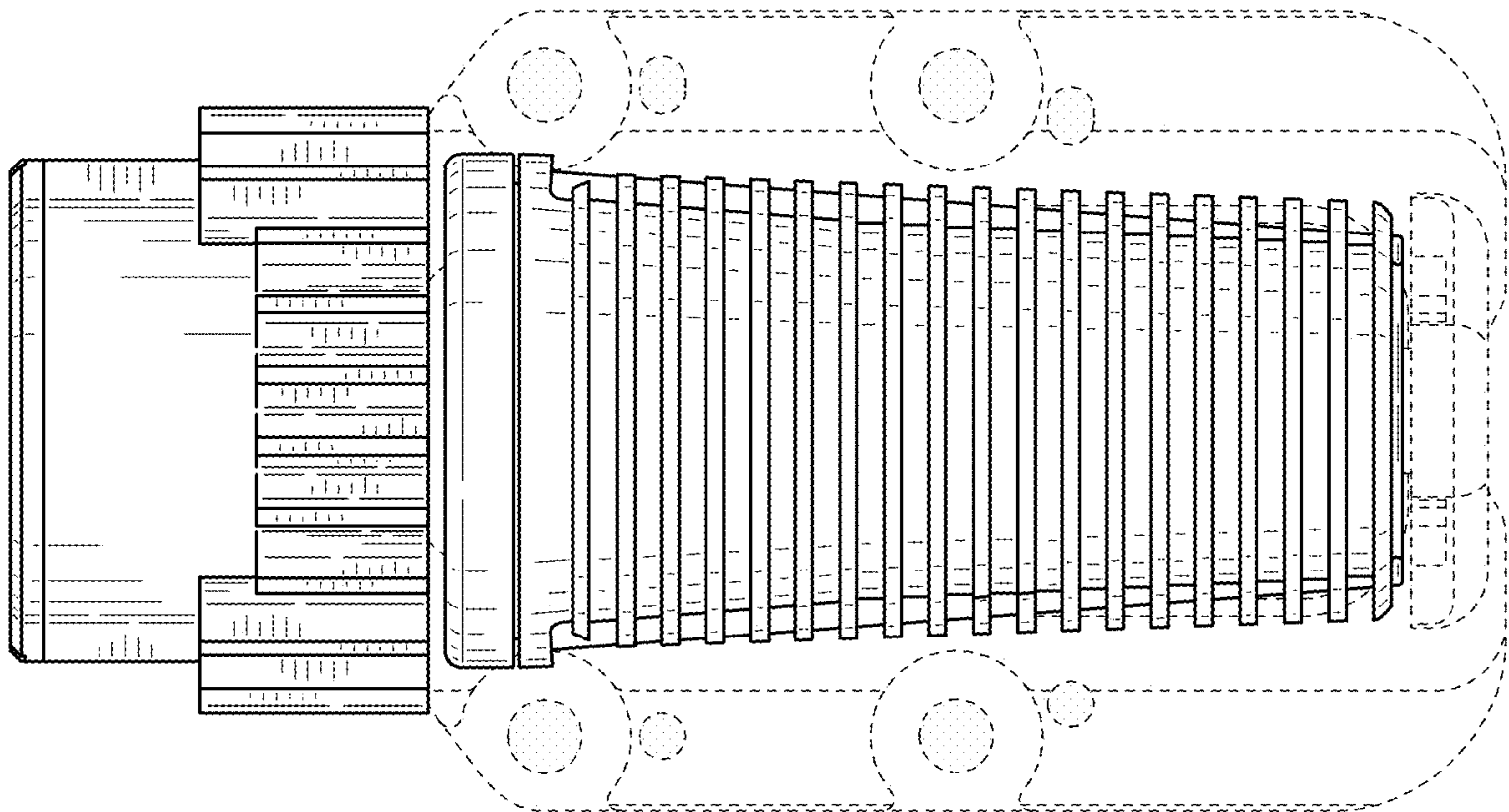


FIG. 2

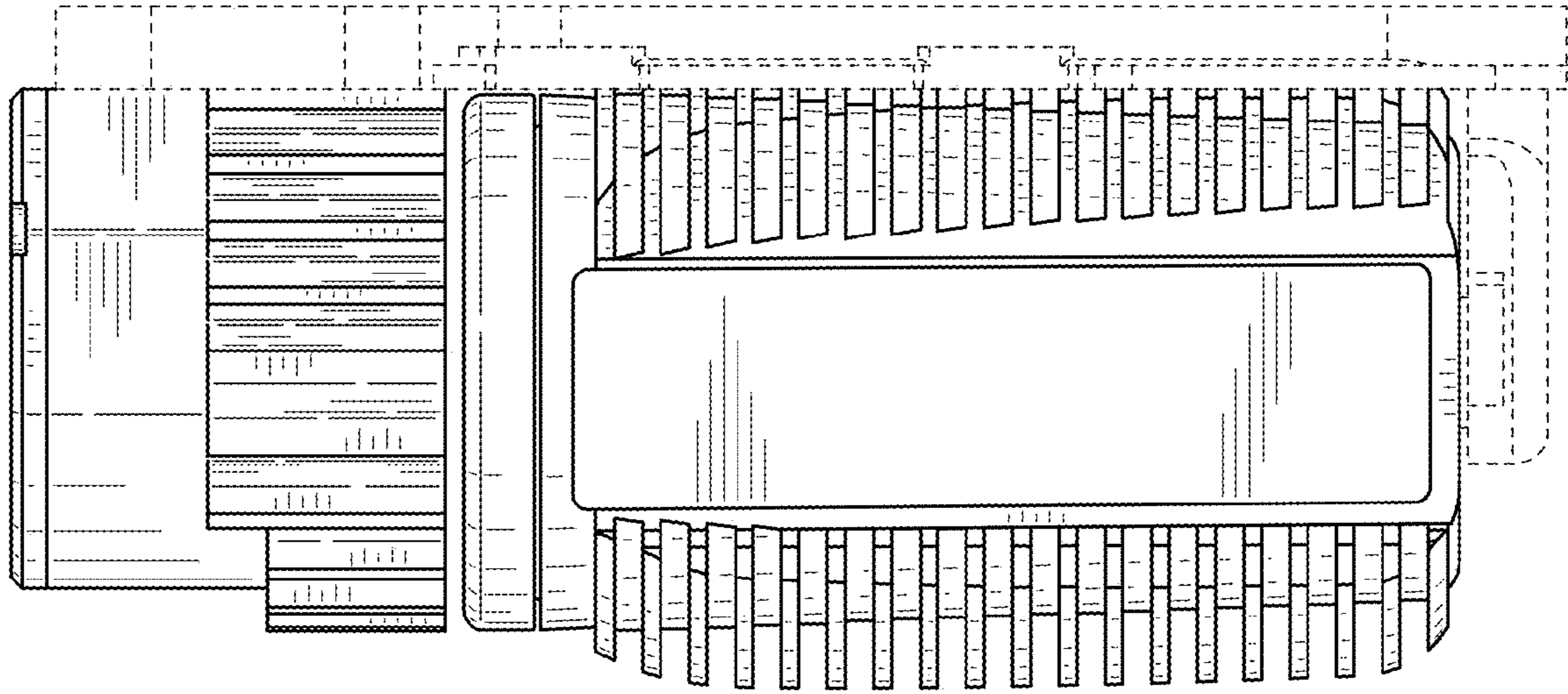


FIG. 5

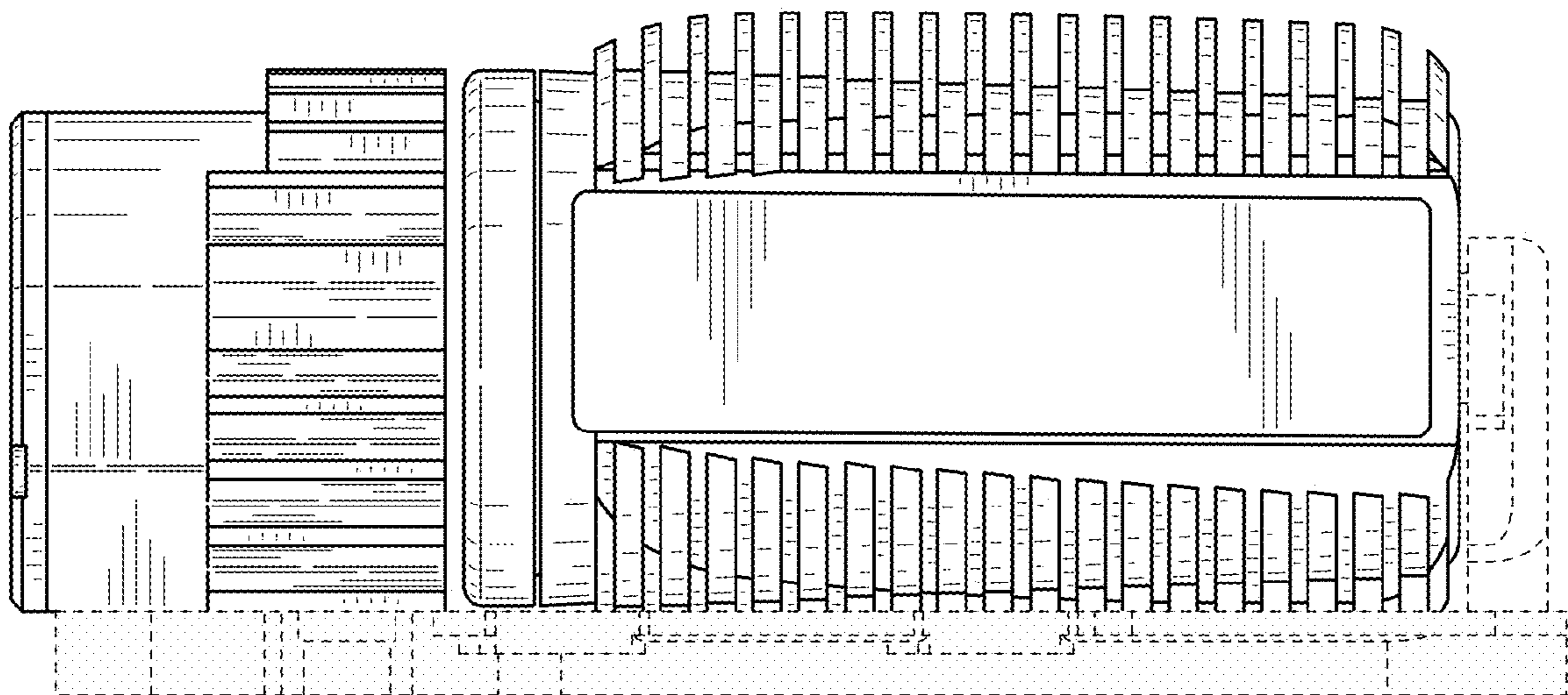


FIG. 4

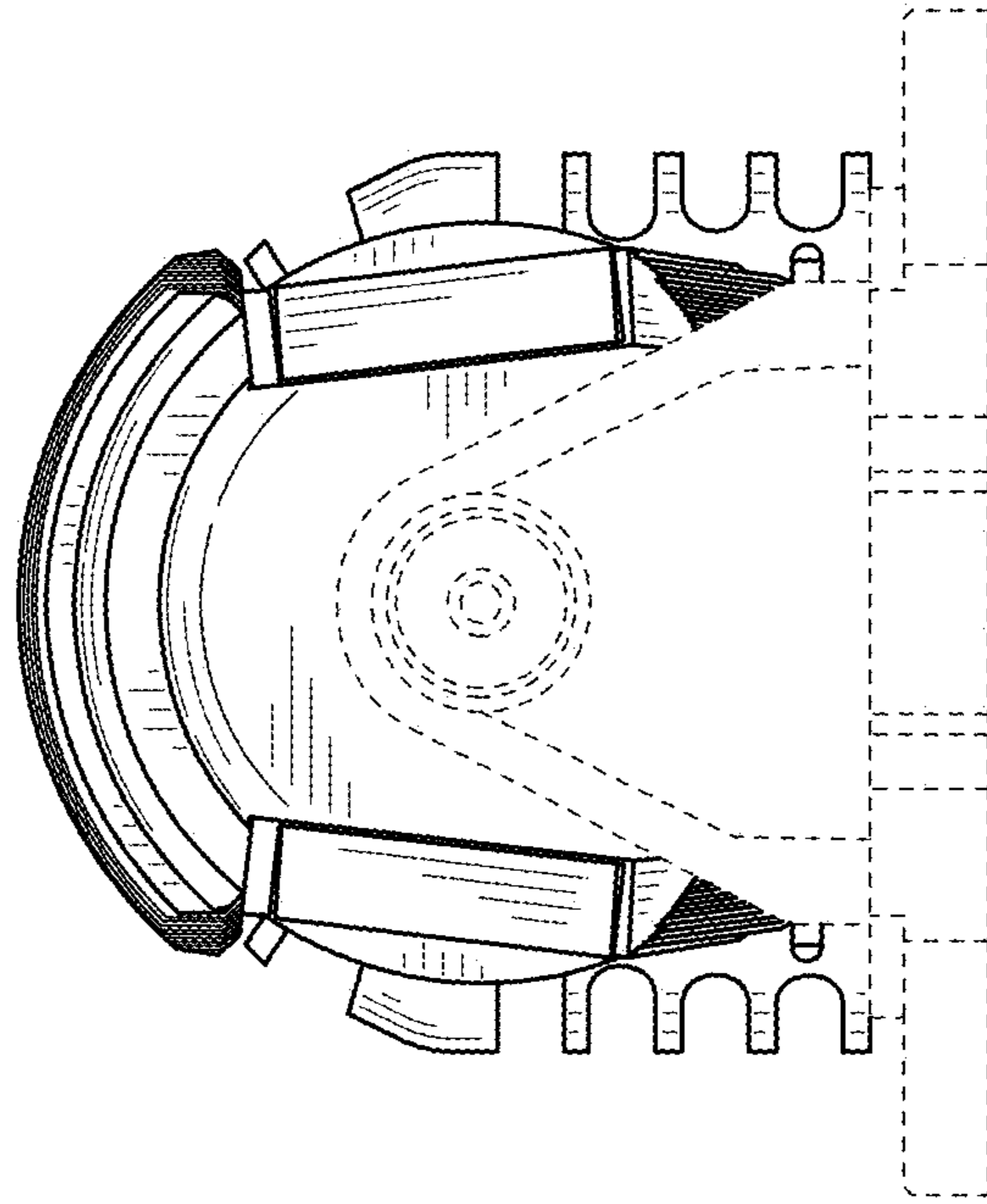


FIG. 7

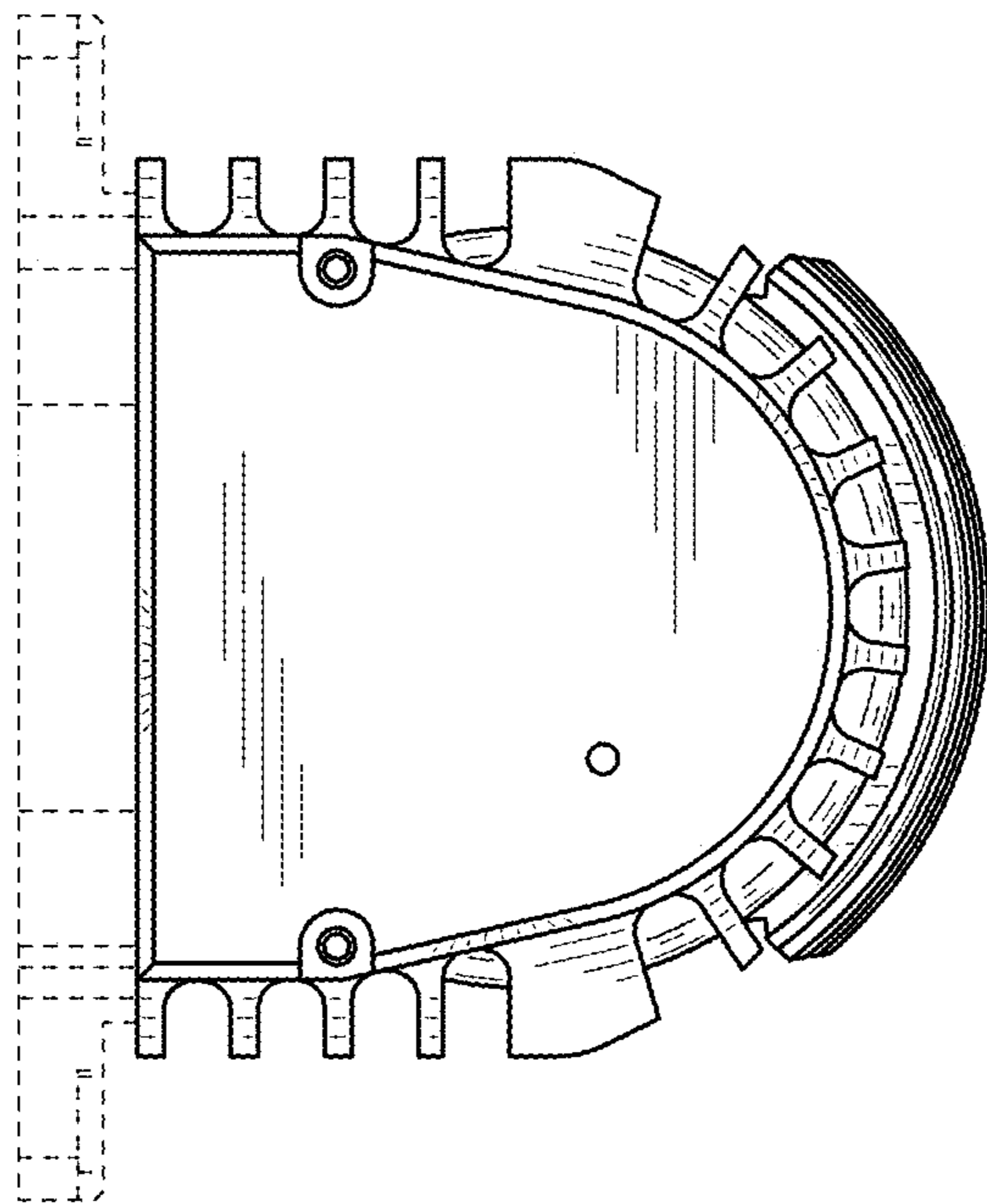


FIG. 6