



US00D904908S

(12) **United States Design Patent**
Borack

(10) **Patent No.:** **US D904,908 S**

(45) **Date of Patent:** **** Dec. 15, 2020**

(54) **SANDING DISK ALIGNMENT JIG**

(71) Applicant: **Alan Borack**, Fords, NJ (US)

(72) Inventor: **Alan Borack**, Fords, NJ (US)

(**) Term: **15 Years**

(21) Appl. No.: **29/686,041**

(22) Filed: **Apr. 2, 2019**

(51) **LOC (12) Cl.** **10-04**

(52) **U.S. Cl.**
USPC **D10/65**

(58) **Field of Classification Search**
USPC D8/16; D10/65
CPC B24B 23/005
See application file for complete search history.

(56) **References Cited**

U.S. PATENT DOCUMENTS

- 6,050,887 A * 4/2000 Chang B24B 23/02
451/359
- 6,663,478 B1 12/2003 Ulrich
- 7,144,313 B1 12/2006 Greenwood
- 9,656,364 B2 5/2017 Ryan

- D821,840 S 7/2018 Valentini
- 2011/0023286 A1 2/2011 Bierman
- 2014/0162535 A1 6/2014 Turner

FOREIGN PATENT DOCUMENTS

WO 2013165483 11/2013

* cited by examiner

Primary Examiner — Antoine Duval Davis

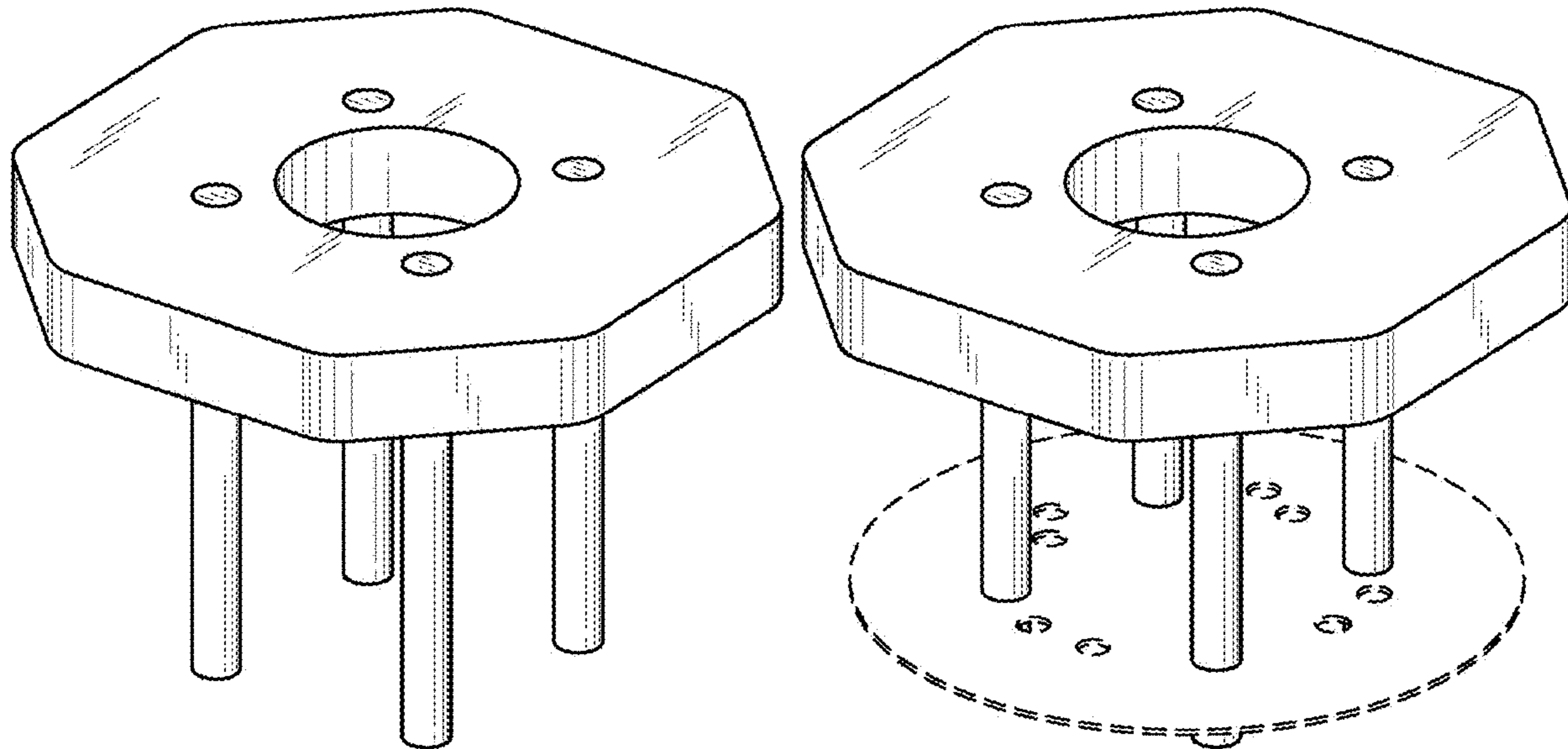
(57) **CLAIM**

I claim the ornamental design for a sanding disk alignment jig, as shown and described.

DESCRIPTION

FIG. 1 is a front view of the sanding disk alignment jig. FIG. 2 is a rear view of the claimed design. FIG. 3 is a right side view of the claimed design. FIG. 4 is a left side view of the claimed design. FIG. 5 is a top view of the claimed design. FIG. 6 is a bottom view of the claimed design. FIG. 7 is a perspective view of the claimed design; and, FIG. 8 is a perspective view of the claimed design in use with a sanding disk. The broken lines appearing in FIG. 8 of a sanding disk are environmental matter forming no part of the claimed design.

1 Claim, 4 Drawing Sheets



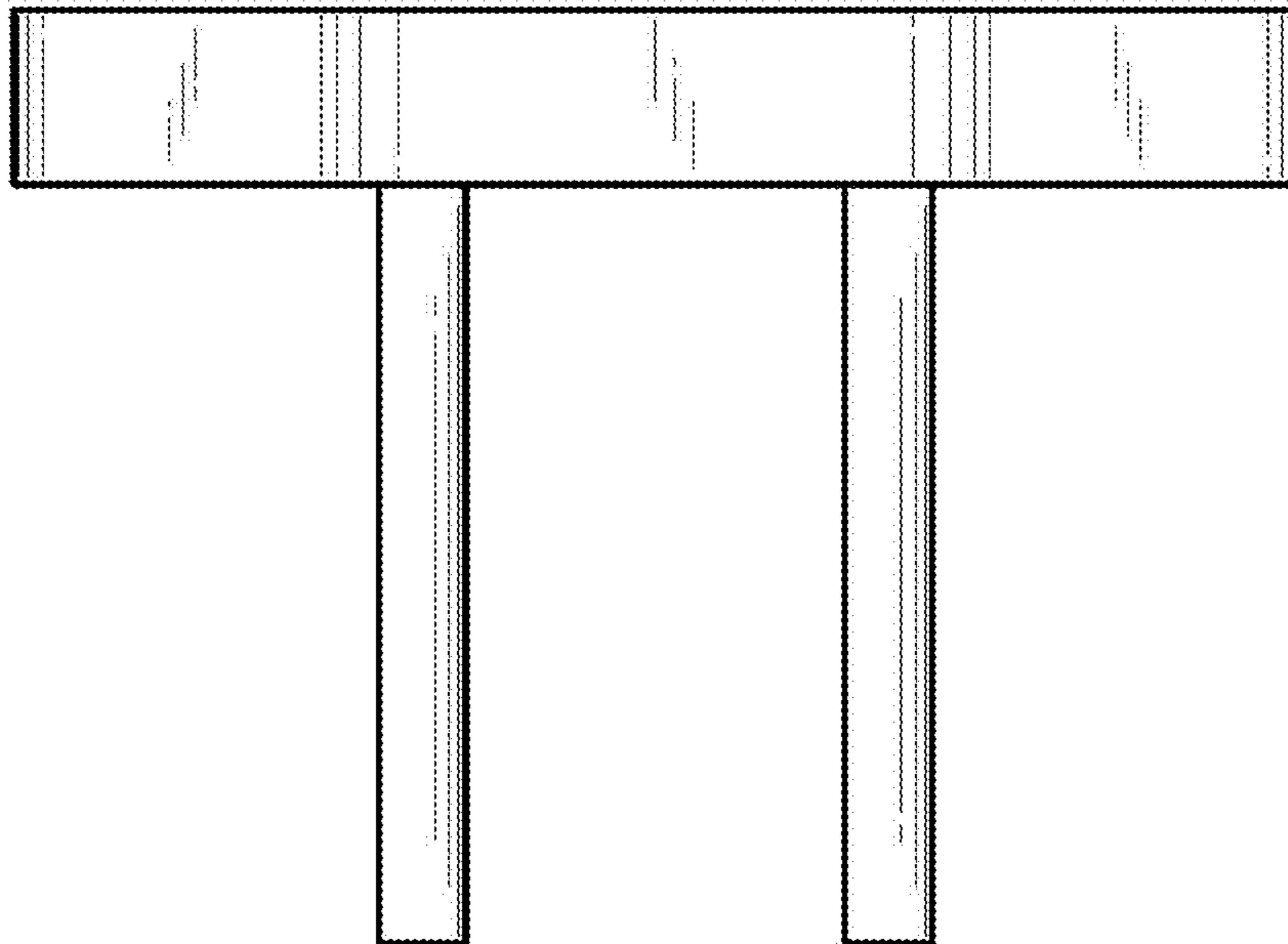


FIG. 1

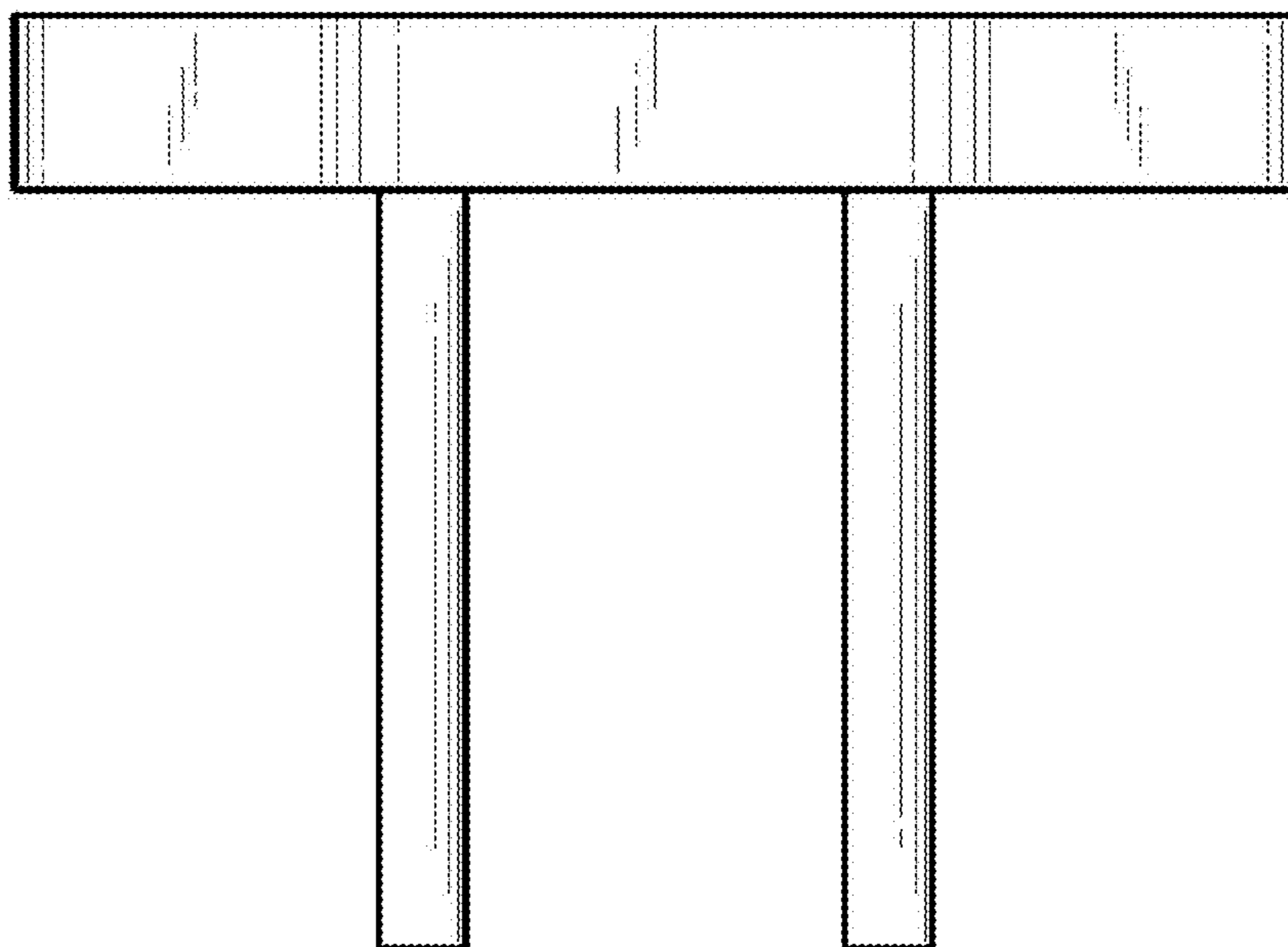


FIG. 2

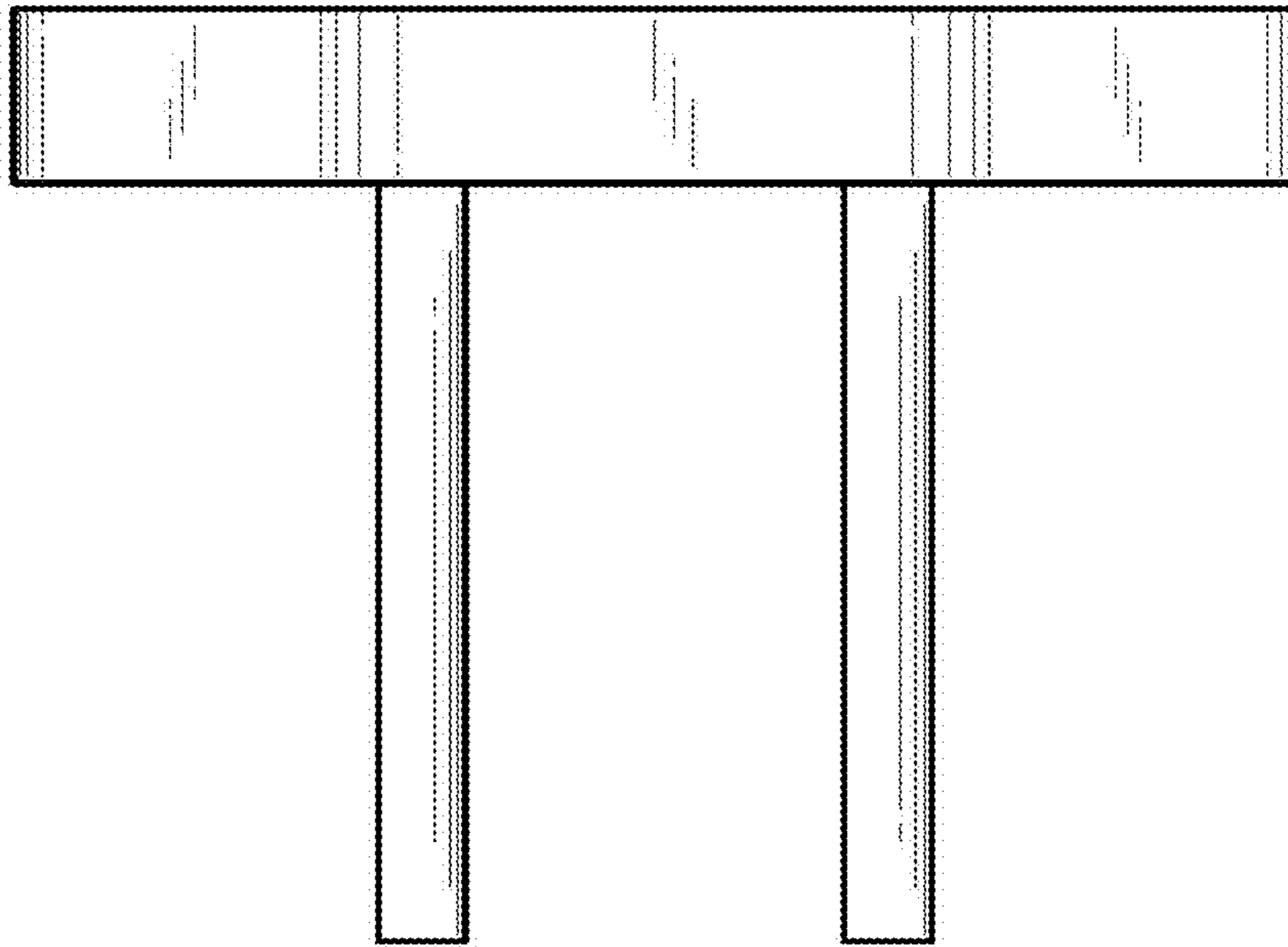


FIG. 3

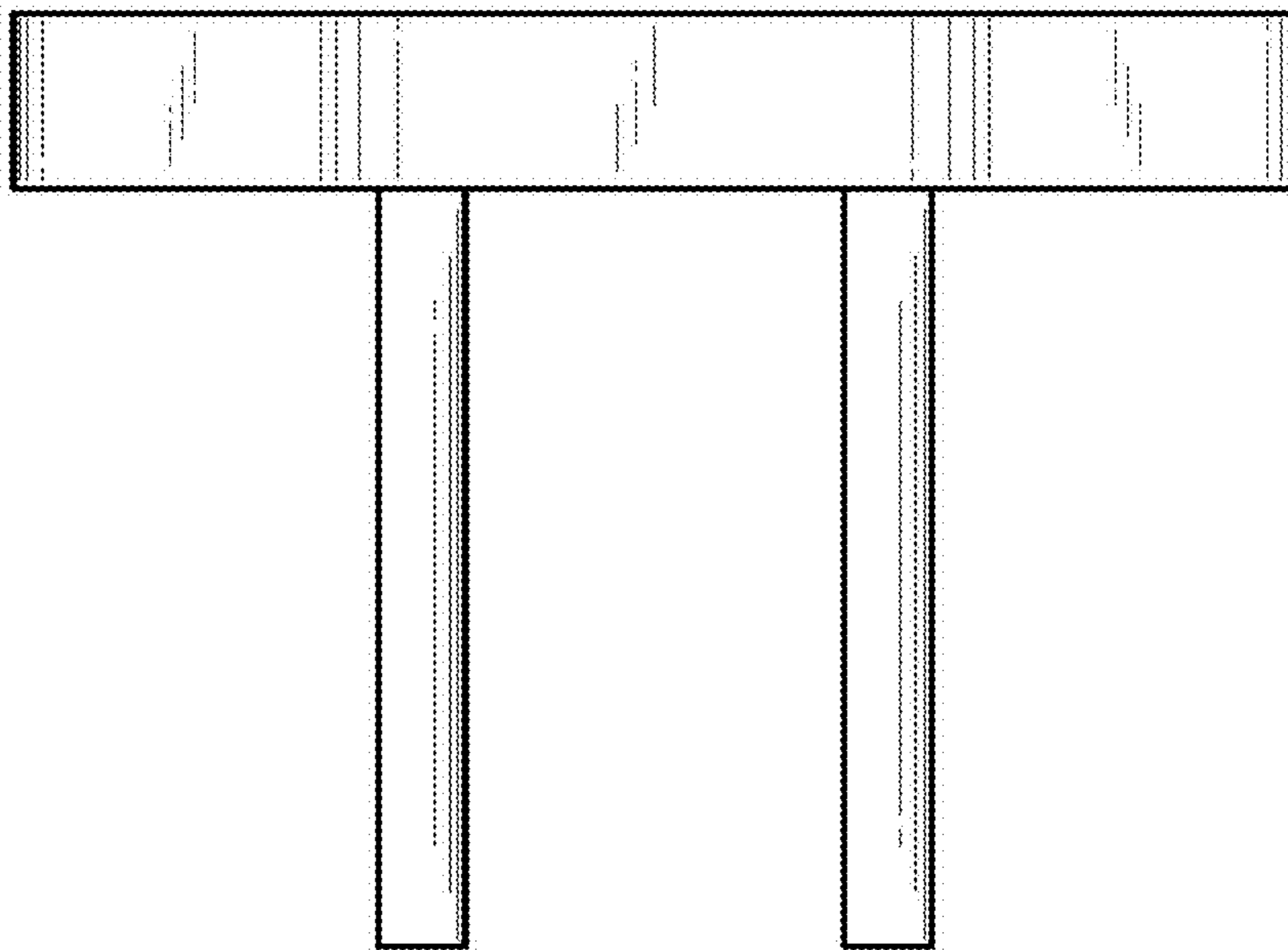


FIG. 4

FIG. 5



FIG. 6

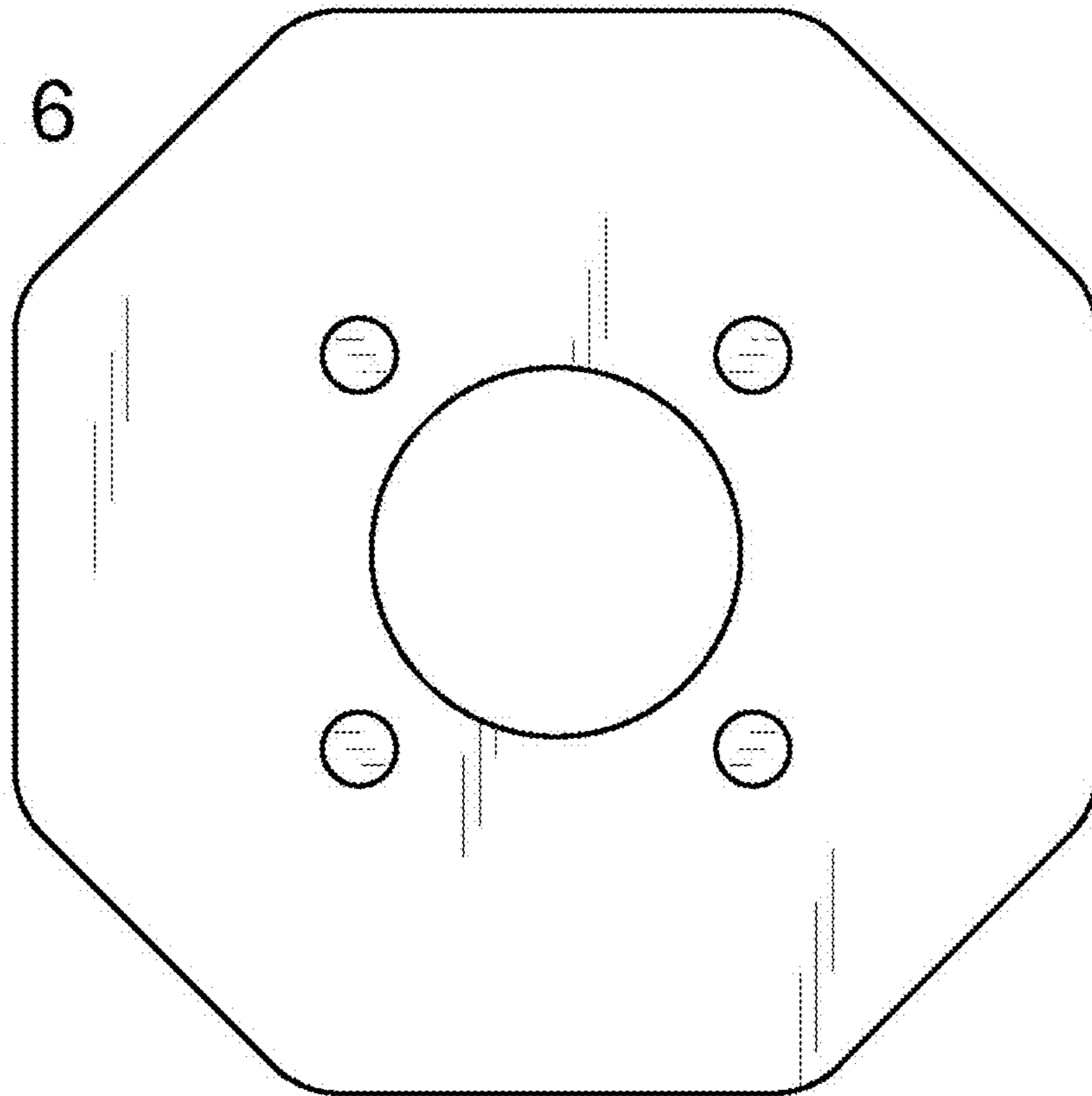


FIG. 7

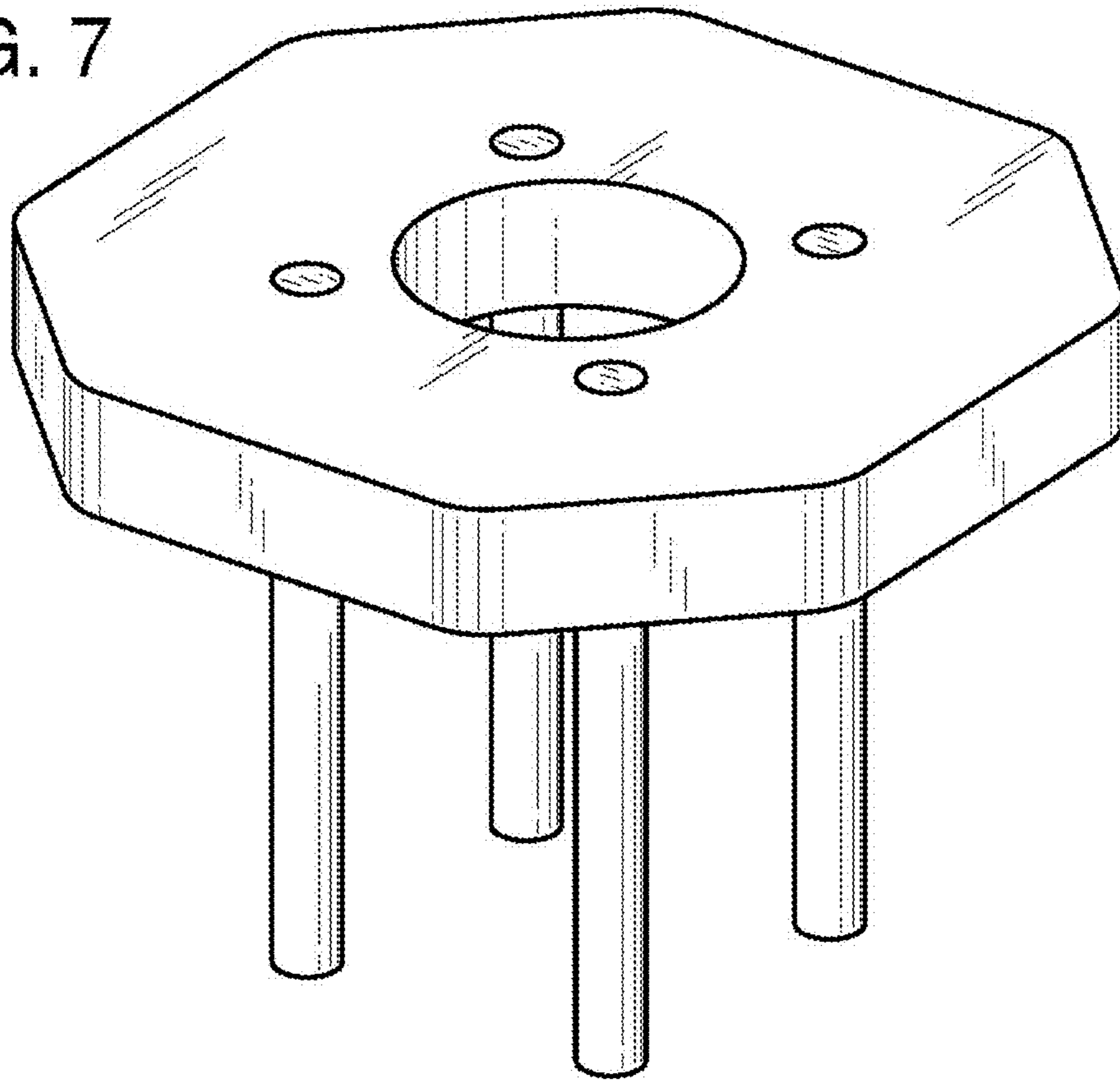


FIG. 8

