



US00D904907S

(12) **United States Design Patent**
Peng

(10) **Patent No.:** **US D904,907 S**

(45) **Date of Patent:** **** Dec. 15, 2020**

(54) **ELECTRONIC DIGITAL THERMOMETER**

(56) **References Cited**

(71) Applicant: **Rixin Peng**, Daishan (CN)

U.S. PATENT DOCUMENTS

(72) Inventor: **Rixin Peng**, Daishan (CN)

D852,653	S	*	7/2019	Zou	D10/57
D853,253	S	*	7/2019	Zuo	D10/57
D858,320	S	*	9/2019	Wang	D10/57
D860,831	S	*	9/2019	Zou	D10/57
D884,498	S	*	5/2020	Yi	D10/57
D888,590	S	*	6/2020	Wang	D10/57

(**) Term: **15 Years**

* cited by examiner

(21) Appl. No.: **29/687,608**

(22) Filed: **Apr. 15, 2019**

Primary Examiner — Antoine Duval Davis

(51) **LOC (12) Cl.** **10-04**

(74) *Attorney, Agent, or Firm* — Erson IP (Nelson IP)

(52) **U.S. Cl.**
USPC **D10/57**

(57) **CLAIM**

(58) **Field of Classification Search**

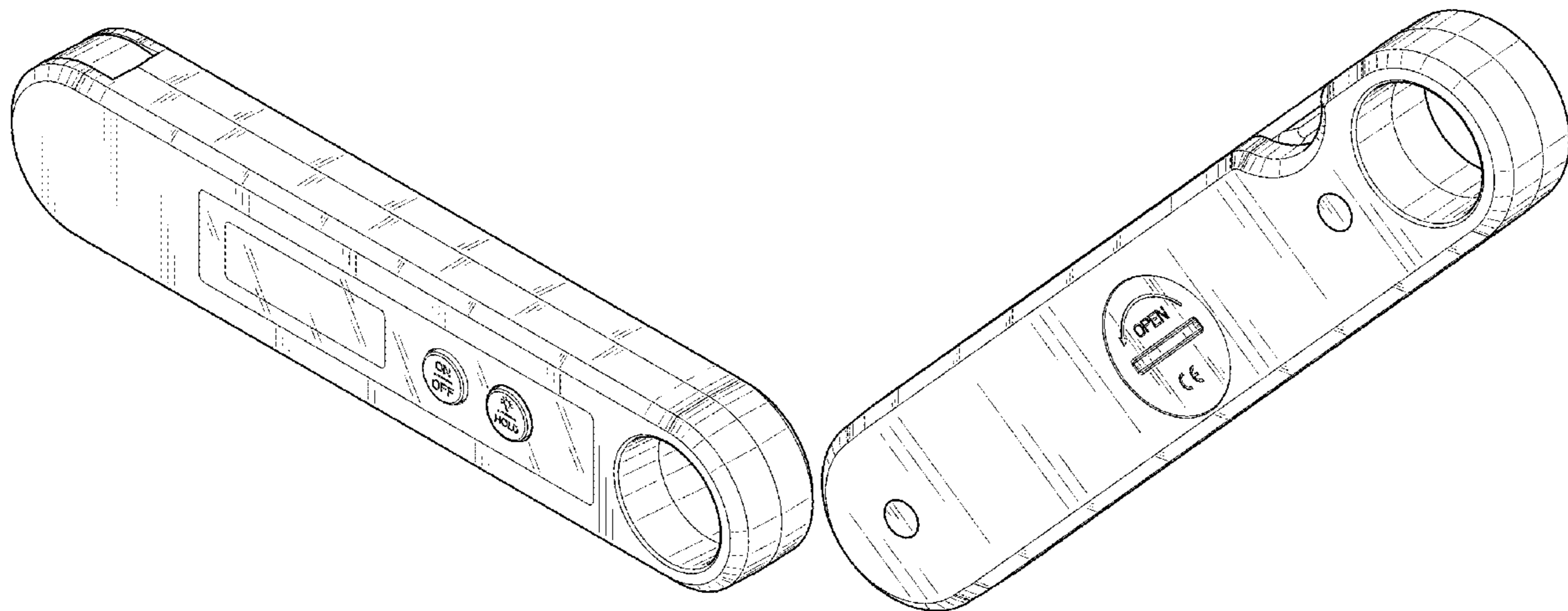
The ornamental design for a electronic digital thermometer, as shown and described.

USPC D10/57, 60
CPC G01K 1/02; G01K 1/022; G01K 1/024;
G01K 1/08; G01K 1/083; G01K 1/086;
G01K 3/00-3/14; G01K 2003/145; G01K
13/002; G01K 13/004; G01K 2219/00;
G01K 5/04-5/225; G01K 5/22; G01K
221/00; G01K 1/20; G01K 3/005; G01K
3/06; G01K 13/04; G01J 5/04; G01J
5/041; G01J 5/042; G01J 5/043; G01J
5/044; G01J 5/045; G01J 5/046; G01J
5/047; G01J 5/048; G01J 5/049; G01J
5/0265

DESCRIPTION

See application file for complete search history.

1 Claim, 8 Drawing Sheets



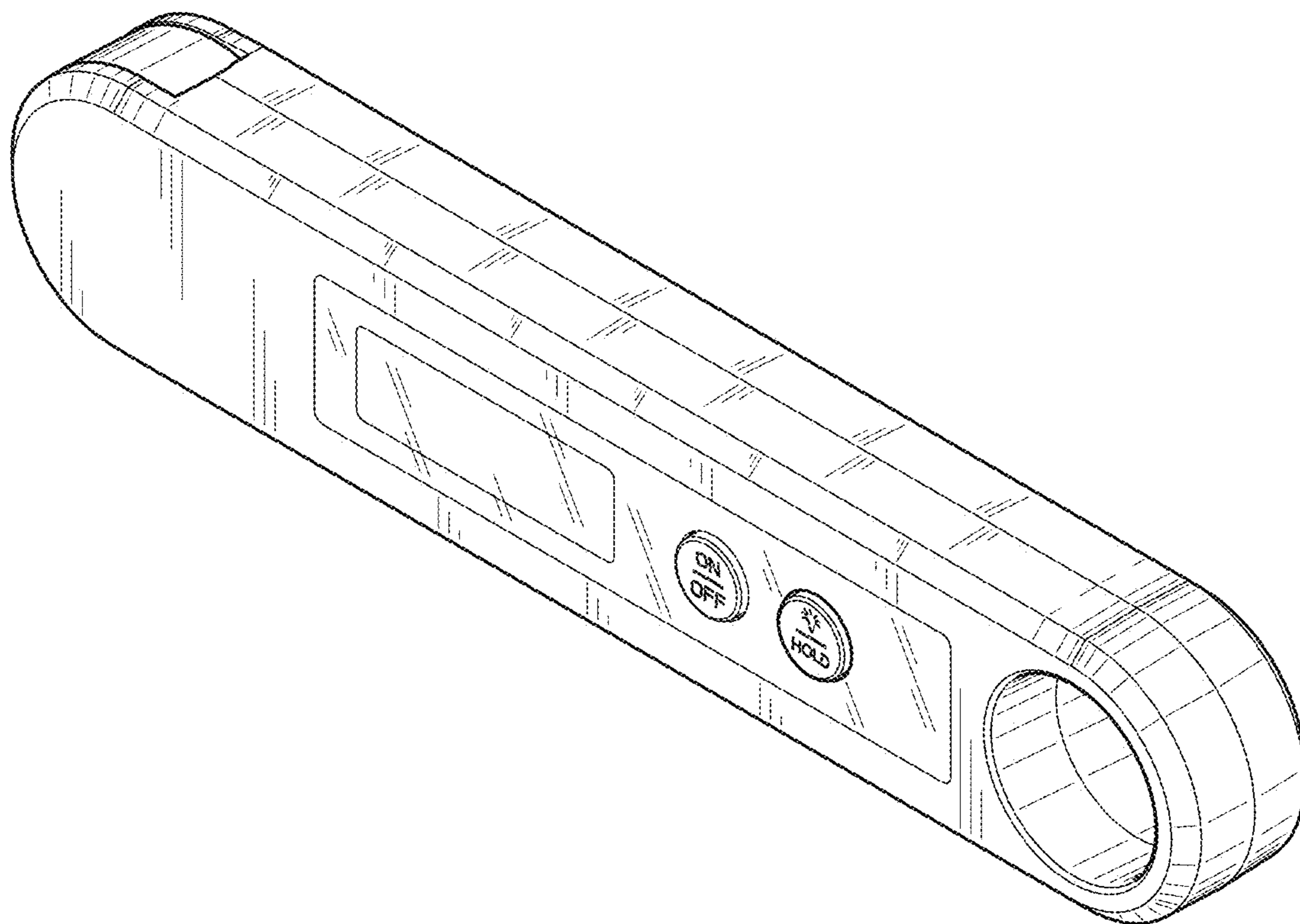


Fig. 1

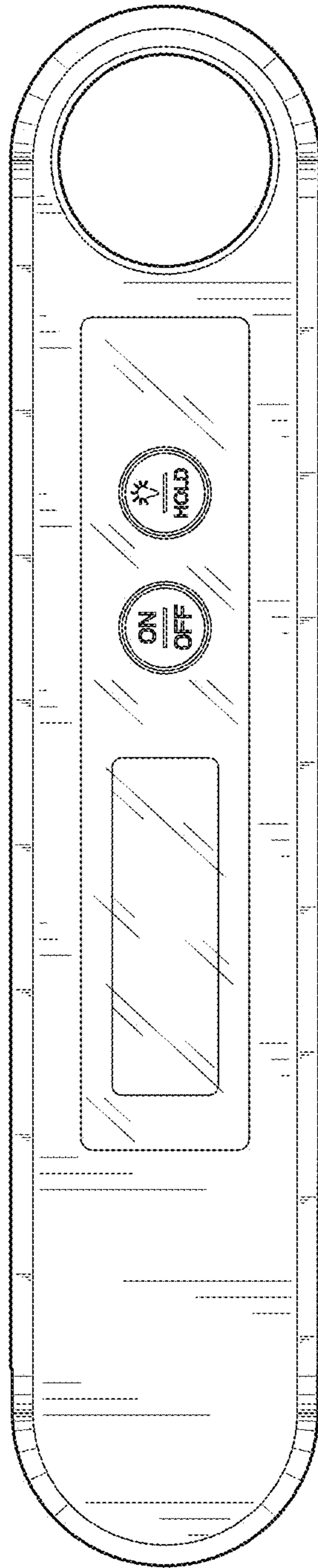


Fig. 2

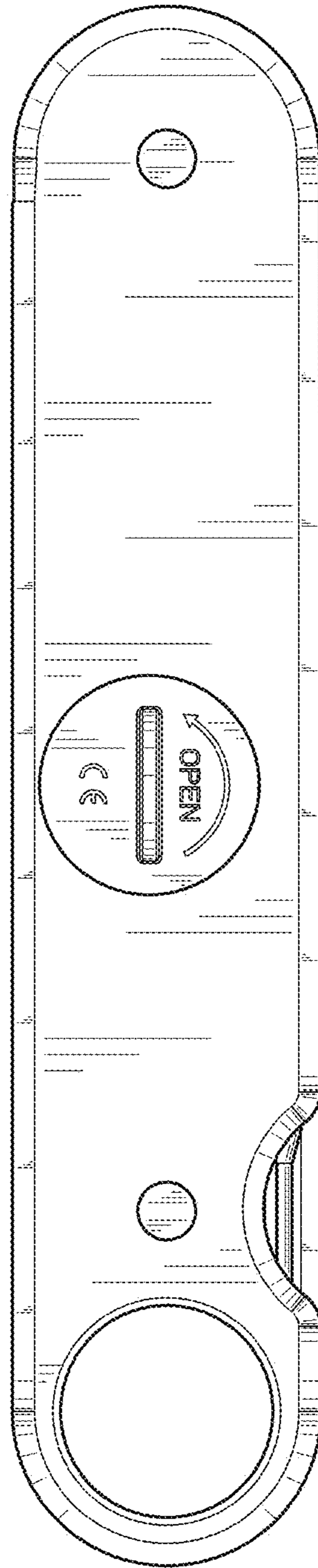


Fig. 3

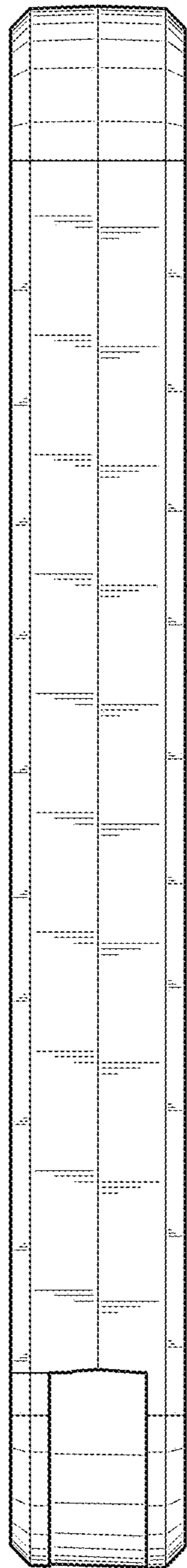


Fig. 4

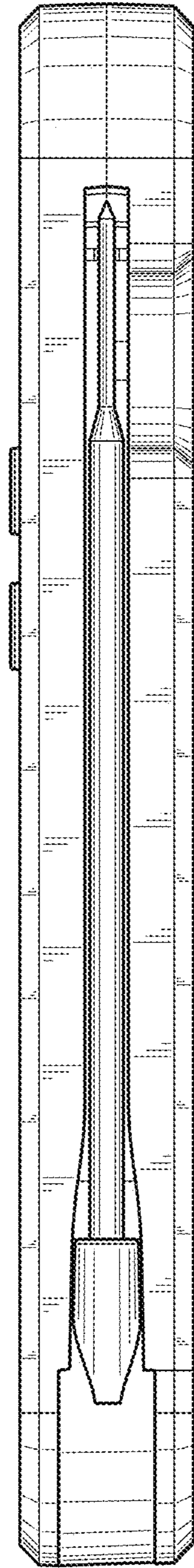


Fig. 5

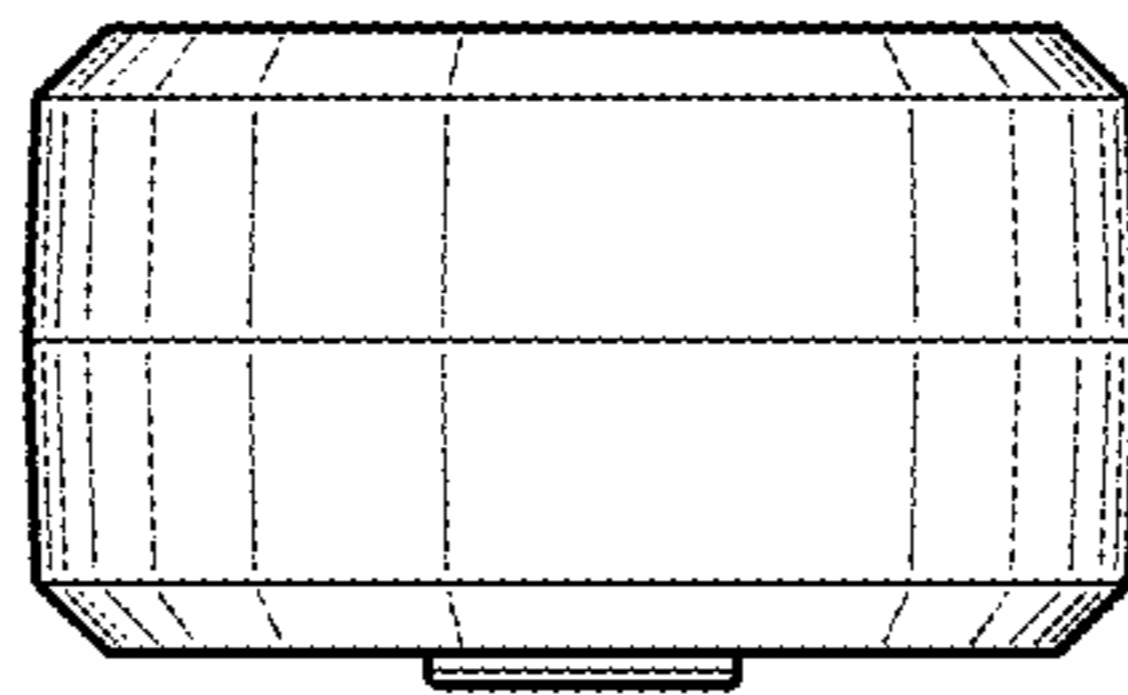


Fig. 6

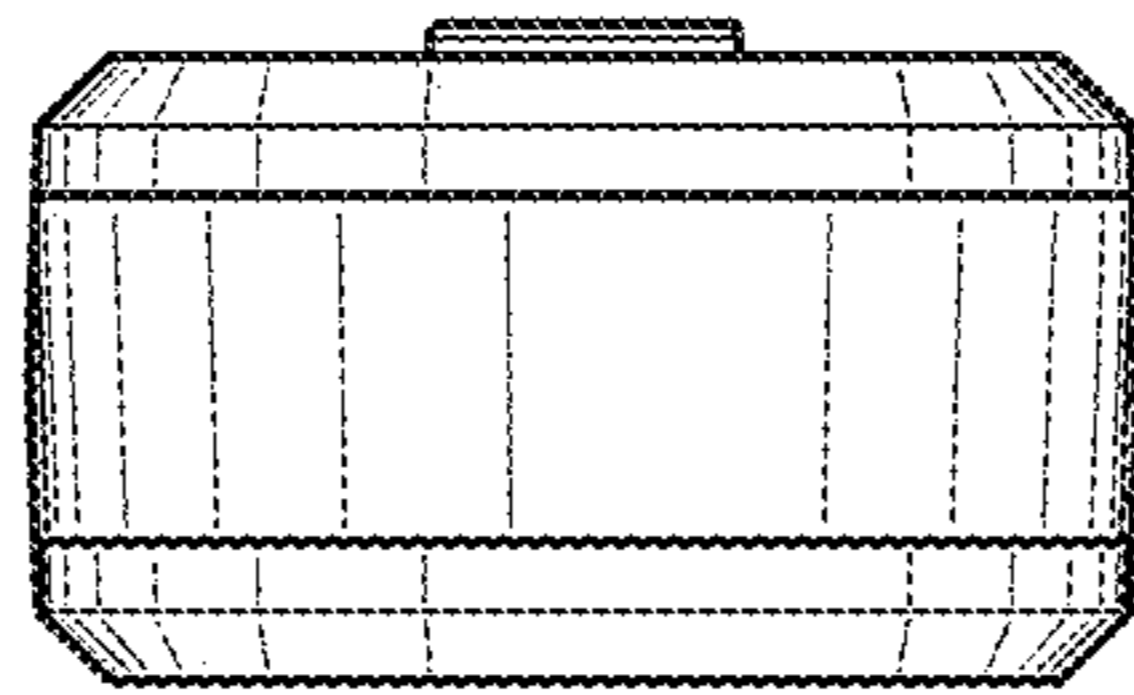


Fig. 7

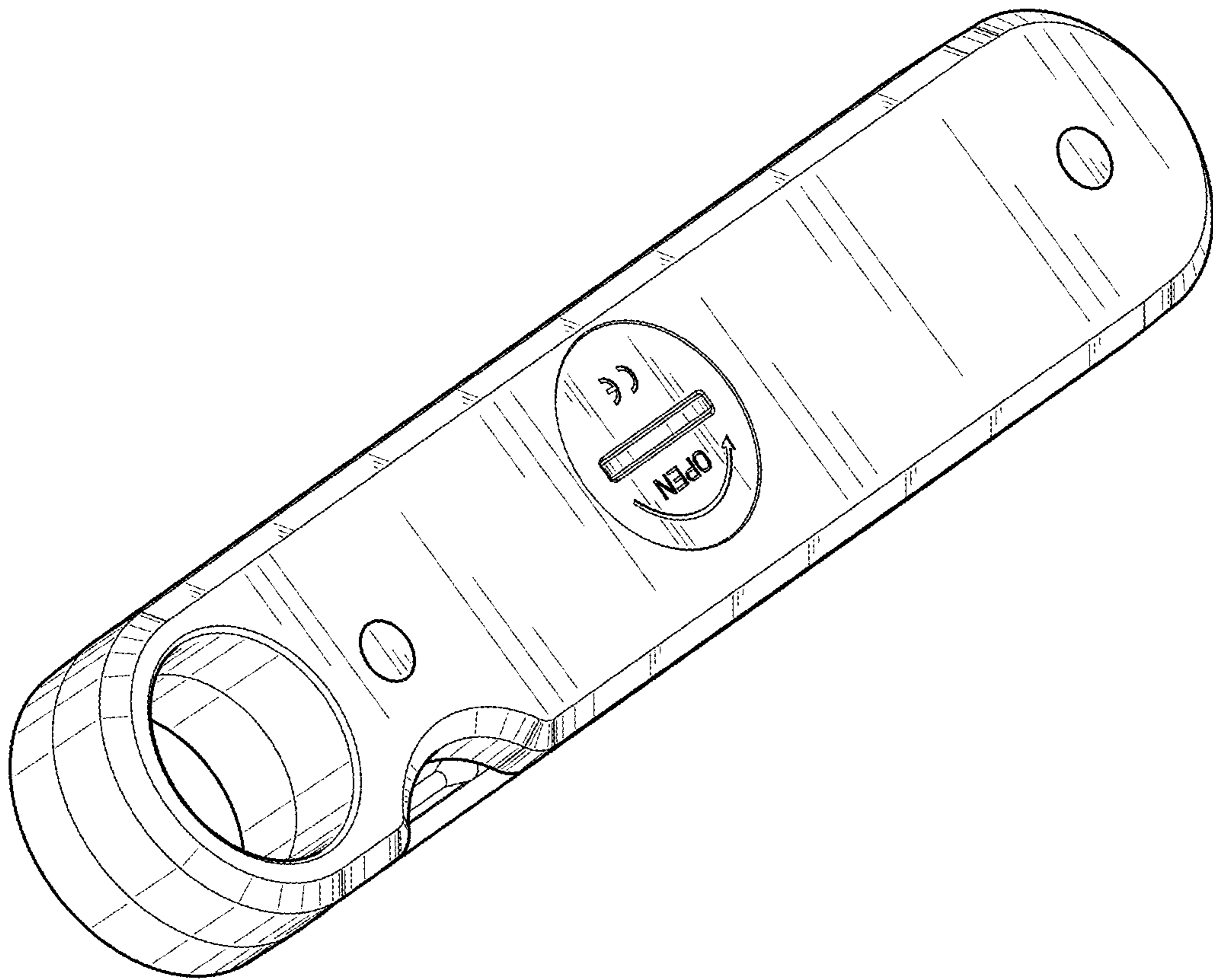


Fig. 8