



US00D904906S

(12) **United States Design Patent** (10) **Patent No.:** **US D904,906 S**
Lindgren et al. (45) **Date of Patent:** **** Dec. 15, 2020**

(54) **VALVE CONTROLLER**

Primary Examiner — Antoine Duval Davis

(71) Applicant: **Pentair Residential Filtration, LLC**,
Brookfield, WI (US)

(74) *Attorney, Agent, or Firm* — Husch Blackwell LLP

(72) Inventors: **Andrew Lindgren**, Wauwatosa, WI
(US); **Andrew Mansfield**, Brookfield,
WI (US)

(57) **CLAIM**

The ornamental design for a valve controller, as shown and described.

(73) Assignee: **PENTAIR RESIDENTIAL
FILTRATION, LLC**, Brookfield, WI
(US)

DESCRIPTION

(**) Term: **15 Years**

(21) Appl. No.: **29/672,288**

(22) Filed: **Dec. 4, 2018**

(51) **LOC (12) Cl.** **10-04**

(52) **U.S. Cl.**
USPC **D10/49; D13/158**

(58) **Field of Classification Search**
USPC **D10/40, 49; D13/158, 162, 162.1;
D23/270**

(Continued)

(56) **References Cited**

U.S. PATENT DOCUMENTS

D287,486 S 12/1986 Points et al.
D344,901 S 3/1994 Conforti

(Continued)

FOREIGN PATENT DOCUMENTS

CN 302910837 S 8/2014
CN 303020831 S 12/2014

(Continued)

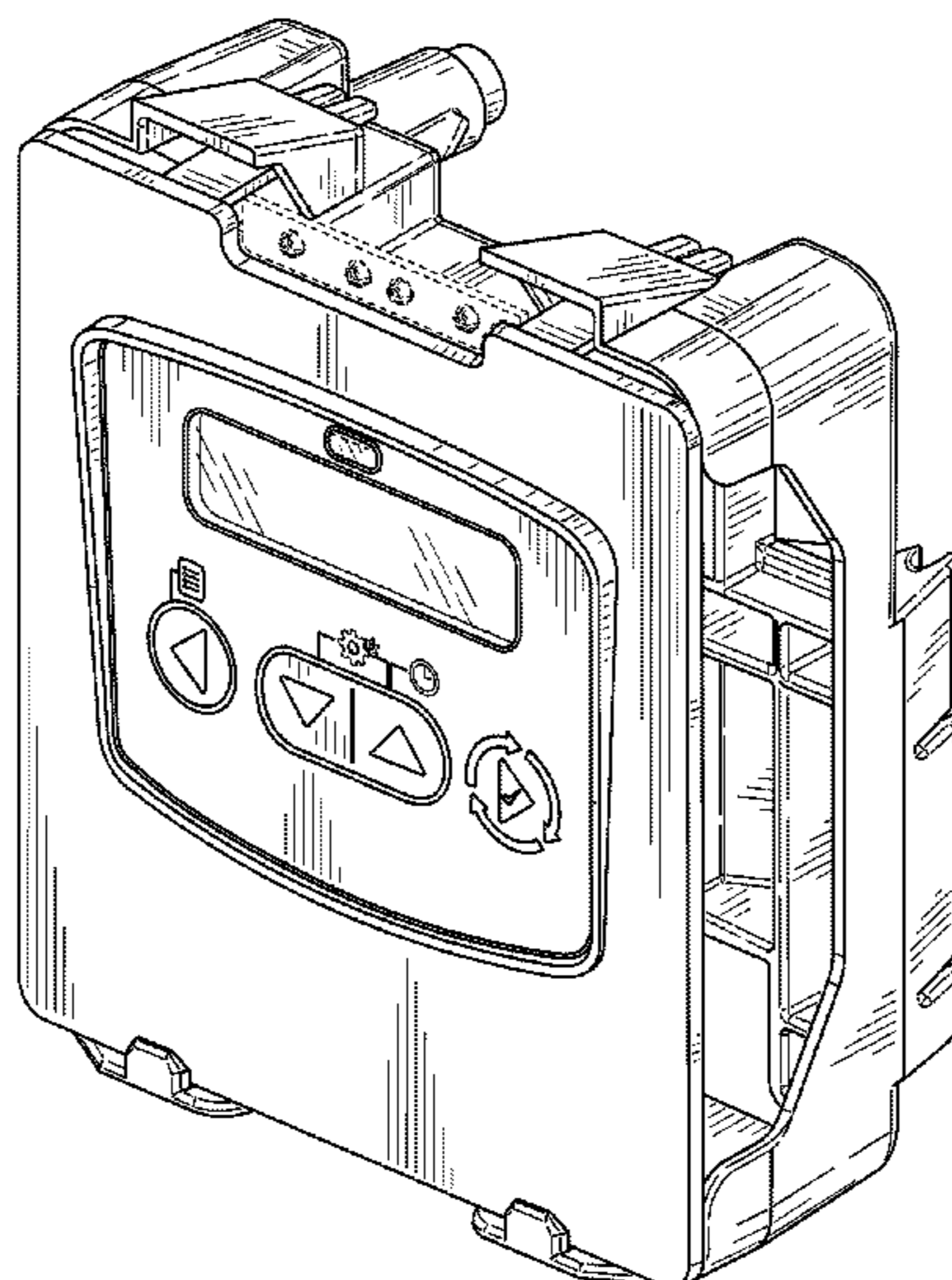
OTHER PUBLICATIONS

Search Report, United Kingdom Patent Application No. GB1909601.
5, dated Jan. 24, 2020, 4 pages.

(Continued)

FIG. 1 is an isometric view of a front, top, and right side of an ornamental design for a valve controller;
FIG. 2 is a front elevational view of the of the valve controller of FIG. 1;
FIG. 3 is a rear elevational view of the valve controller of FIG. 1;
FIG. 4 is a right side elevational view of the valve controller of FIG. 1;
FIG. 5 is a left side elevational view of the valve controller of FIG. 1;
FIG. 6 is a top plan view of the valve controller of FIG. 1;
FIG. 7 is a bottom plan view of the valve controller of FIG. 1;
FIG. 8 is an isometric view of a front, top, and right side of a further embodiment of an ornamental design for a portion of valve controller;
FIG. 9 is a front elevational view of the of the portion of the valve controller of FIG. 8;
FIG. 10 is a rear elevational view of the portion of the valve controller of FIG. 8;
FIG. 11 is a right side elevational view of the portion of the valve controller of FIG. 8;
FIG. 12 is a left side elevational view of the portion of the valve controller of FIG. 8;
FIG. 13 is a top plan view of the portion of the valve controller of FIG. 8; and,
FIG. 14 is a bottom plan view of the portion of the valve controller of FIG. 8.
The dash-dash-dash lines are included for the purpose of illustrating portions that form no part of the claimed design.

1 Claim, 12 Drawing Sheets



(58) **Field of Classification Search**

CPC F16K 25/00; F16K 25/005; F16K 25/02;
 F16K 25/04; F16K 27/00; F16K 27/003;
 F16K 27/006; F16K 27/02; F16K
 27/0209; F16K 27/0218; F16K 27/0227;
 F16K 27/0236; F16K 27/0245; F16K
 27/0254; F16K 27/0263; F16K 27/0272;
 F16K 27/0281; F16K 27/029; F16K
 27/04; F16K 27/041; F16K 27/042; F16K
 27/044; F16K 27/045; F16K 27/047;
 F16K 27/048; F16K 27/062; F16K
 27/065; F16K 27/067; F16K 27/07; F16K
 27/08; F16K 27/10; F16K 27/102; F16K
 27/105; F16K 27/107; F16K 27/12; F16K
 31/04; F16K 11/07; F16K 11/078; F23N
 1/005; F23N 5/10; F23N 2900/01002;
 F23N 2035/16; F16J 15/3404; Y10T
 137/87917; Y10T 137/1407; Y10T
 137/86549; Y10T 137/86654; Y10T
 137/86702; Y10T 137/86646

See application file for complete search history.

(56) **References Cited**

U.S. PATENT DOCUMENTS

D347,258 S 5/1994 Fenske
 D380,737 S 7/1997 Weir et al.
 D434,827 S 12/2000 Zimmerman et al.
 D485,330 S 1/2004 Shyu
 D485,502 S 1/2004 Clivio

6,696,963 B2 2/2004 Zimmerman et al.
 D553,096 S 10/2007 Pfingsten et al.
 D553,097 S 10/2007 Lemke et al.
 D553,100 S * 10/2007 Peterson D13/162
 D561,114 S * 2/2008 Peterson D13/162
 D604,190 S 11/2009 Leer et al.
 D636,278 S 4/2011 Franchini
 8,104,509 B2 1/2012 Leer et al.
 8,133,398 B2 3/2012 King et al.
 D674,874 S 1/2013 Mueller et al.
 D675,113 S * 1/2013 Droste D10/49
 D679,260 S 4/2013 Franchini
 D682,715 S 5/2013 Wang
 D713,270 S 9/2014 Chandran
 D771,575 S 11/2016 Lohbeck et al.
 9,758,387 B2 9/2017 Gruett et al.
 2003/0168389 A1 9/2003 Astle et al.
 2012/0199536 A1 8/2012 Dennis et al.

FOREIGN PATENT DOCUMENTS

CN 303795016 S 8/2016
 CN 303795087 S 8/2016
 CN 304105185 S 4/2017
 CN 304112092 S 4/2017
 CN 304112093 S 4/2017

OTHER PUBLICATIONS

Pentair, "Fleck 3900 NXT Installer Manual", gapswater.co.uk [online],
 Jun. 8, 2018, available from <https://www.gapswater.co.uk/acatalog/3900manual2.pdf> [accessed Jan. 14, 2020].

* cited by examiner

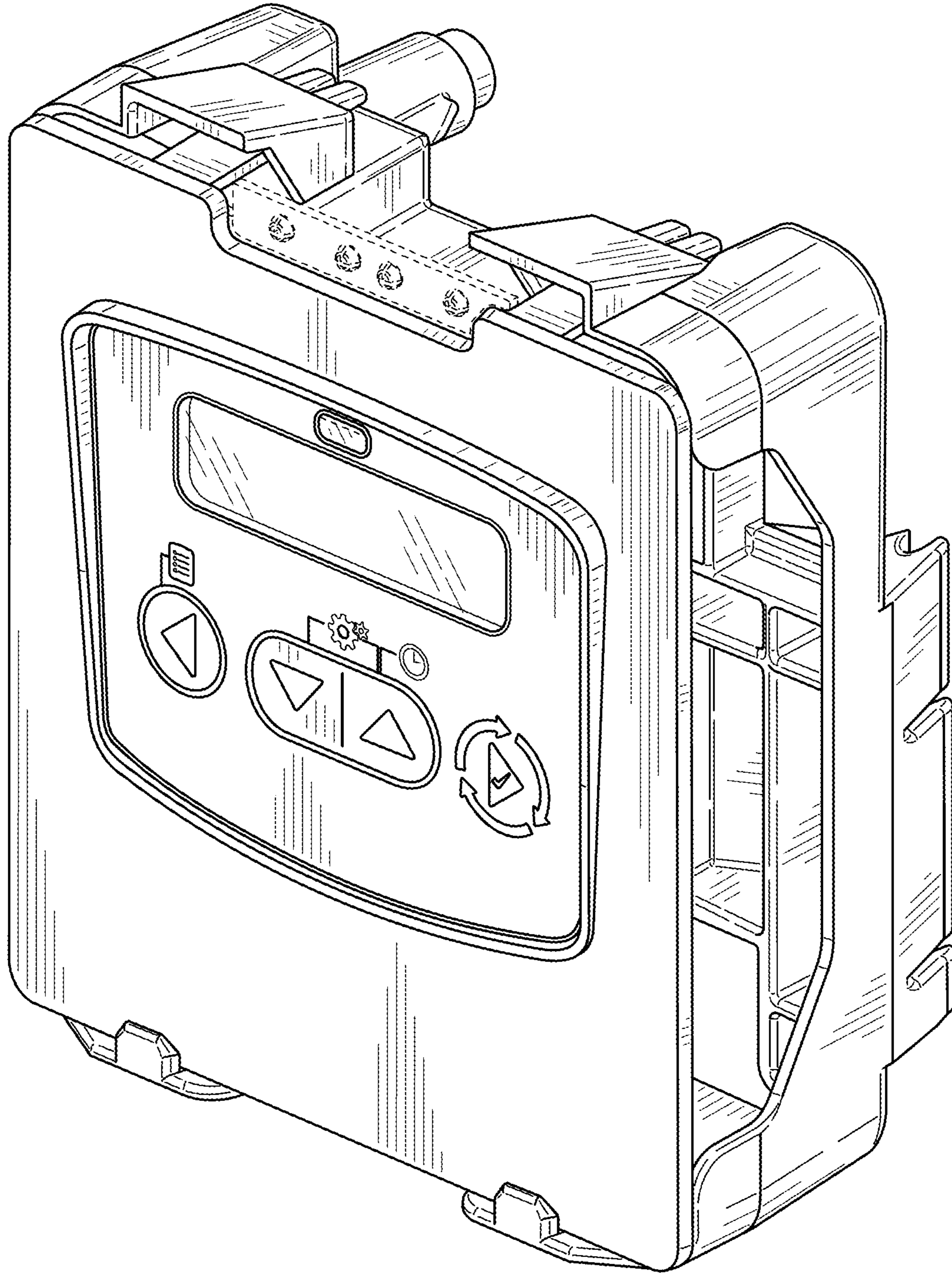


FIG. 1

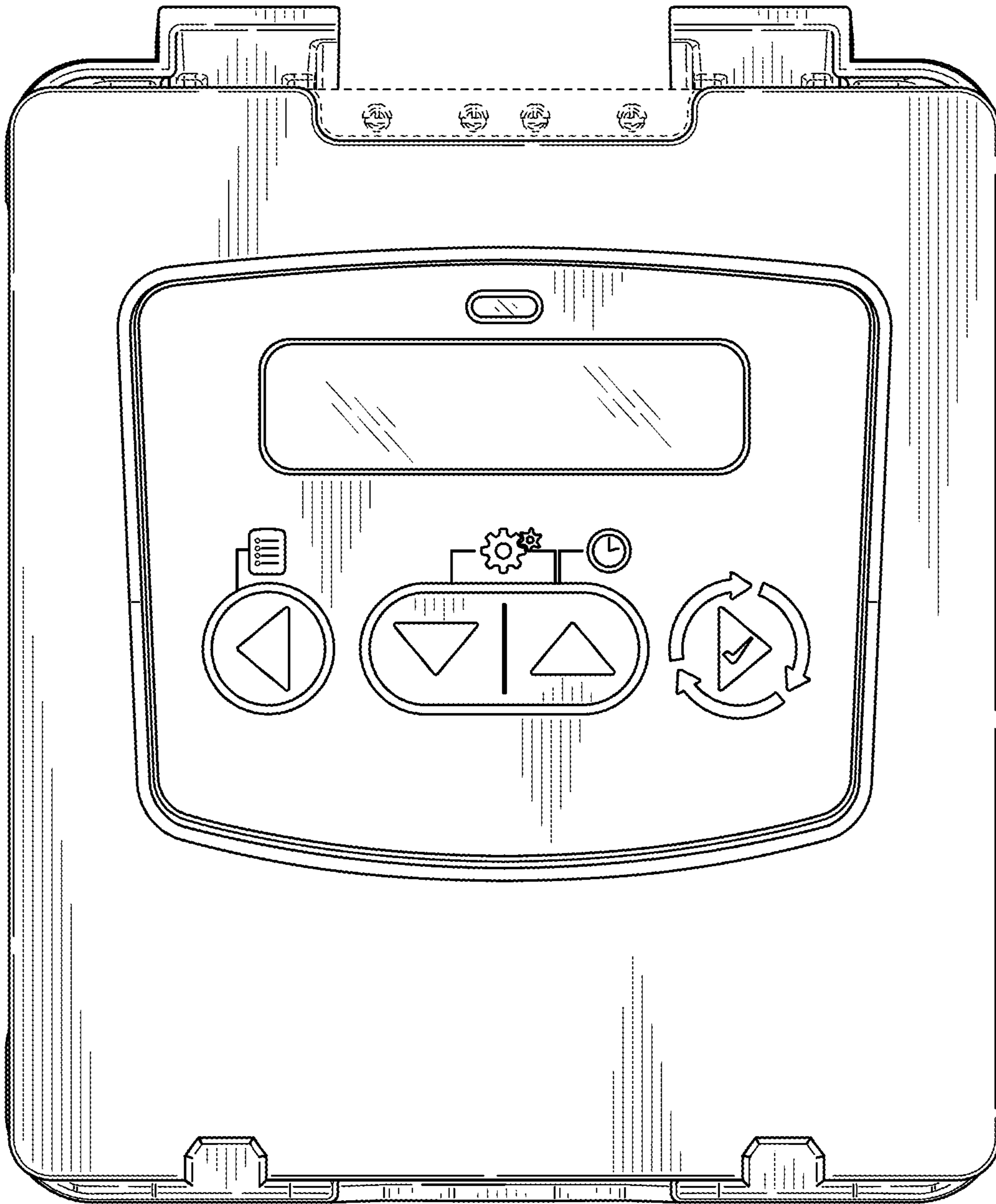


FIG. 2

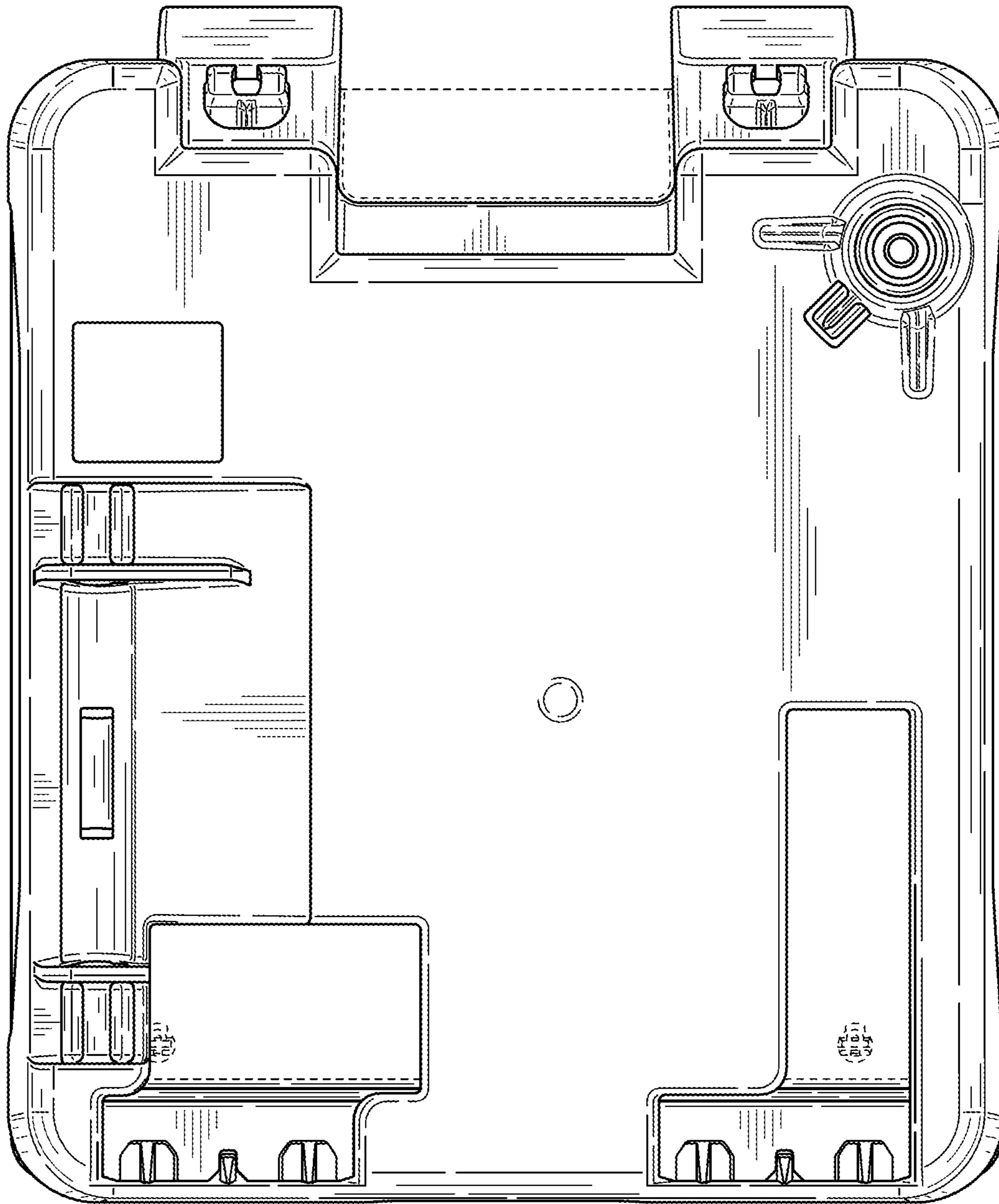


FIG. 3

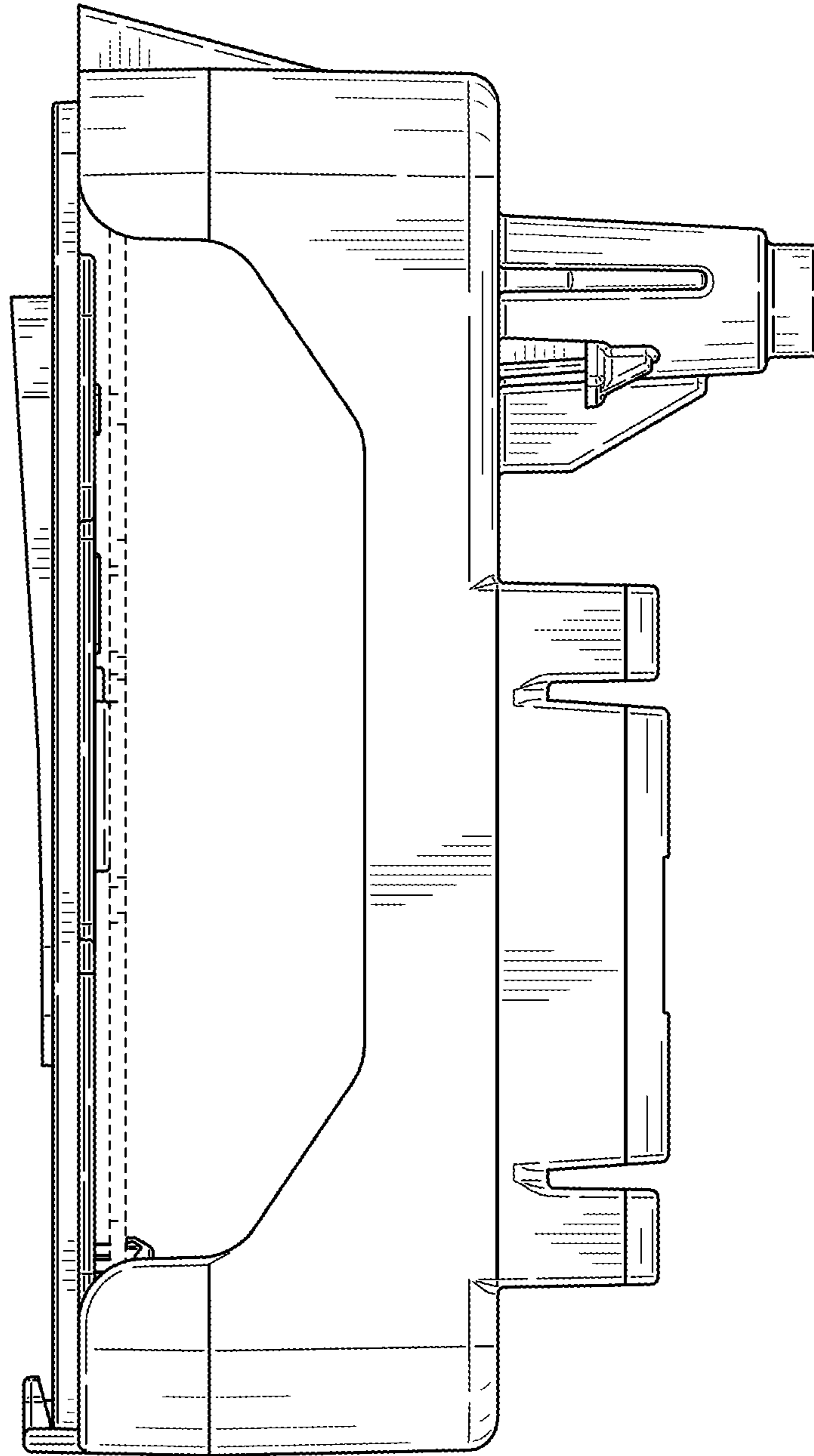


FIG. 4

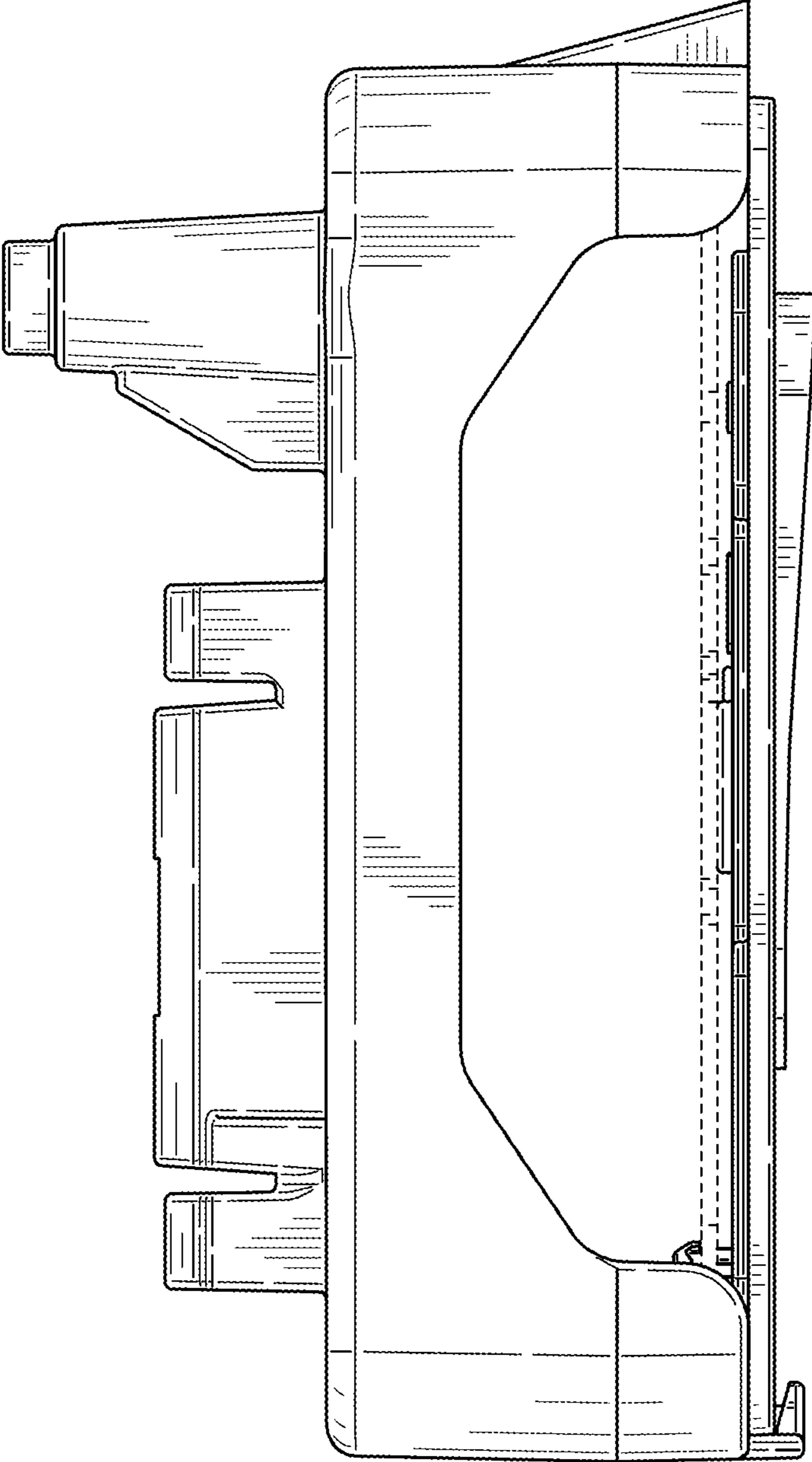


FIG. 5

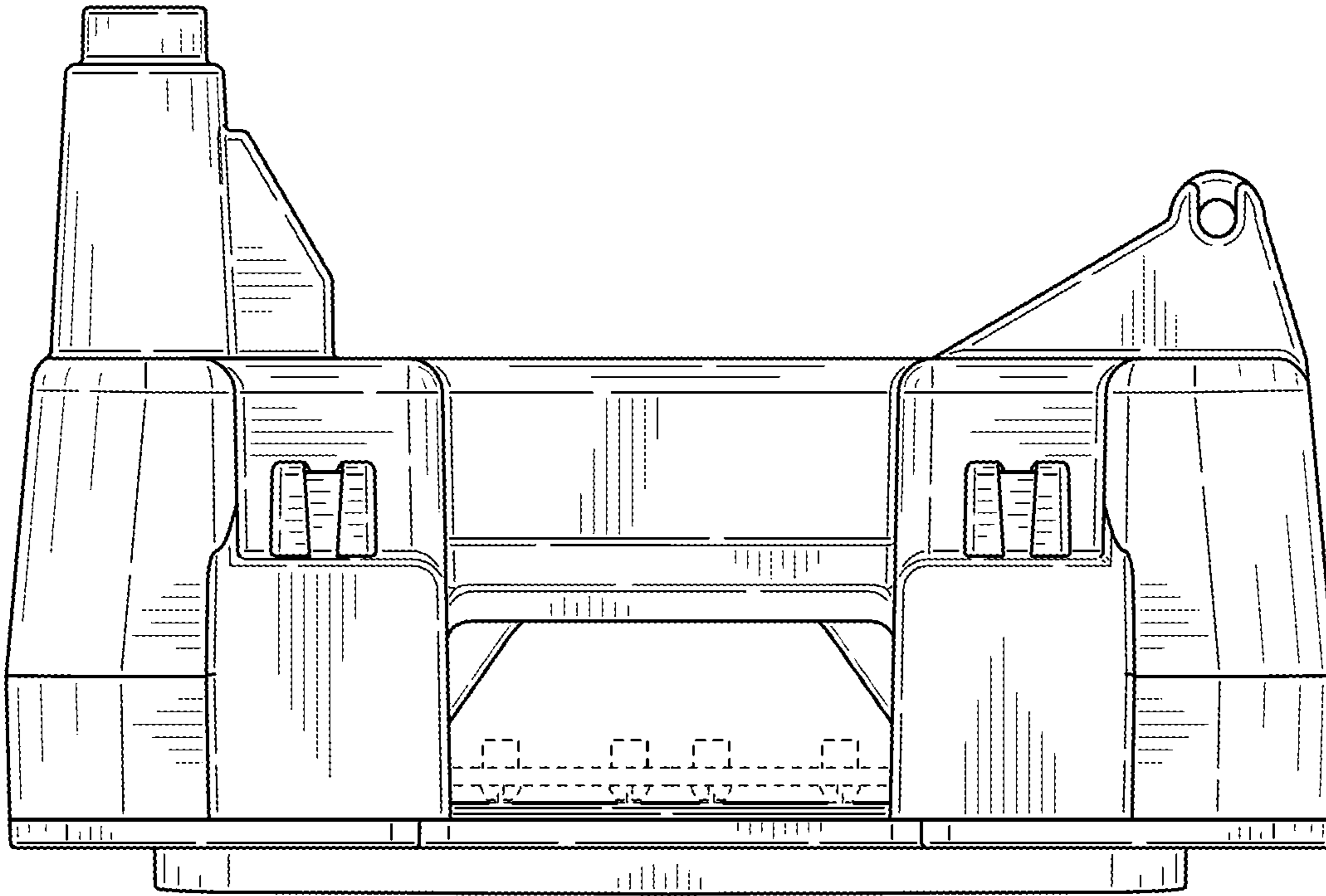


FIG. 6

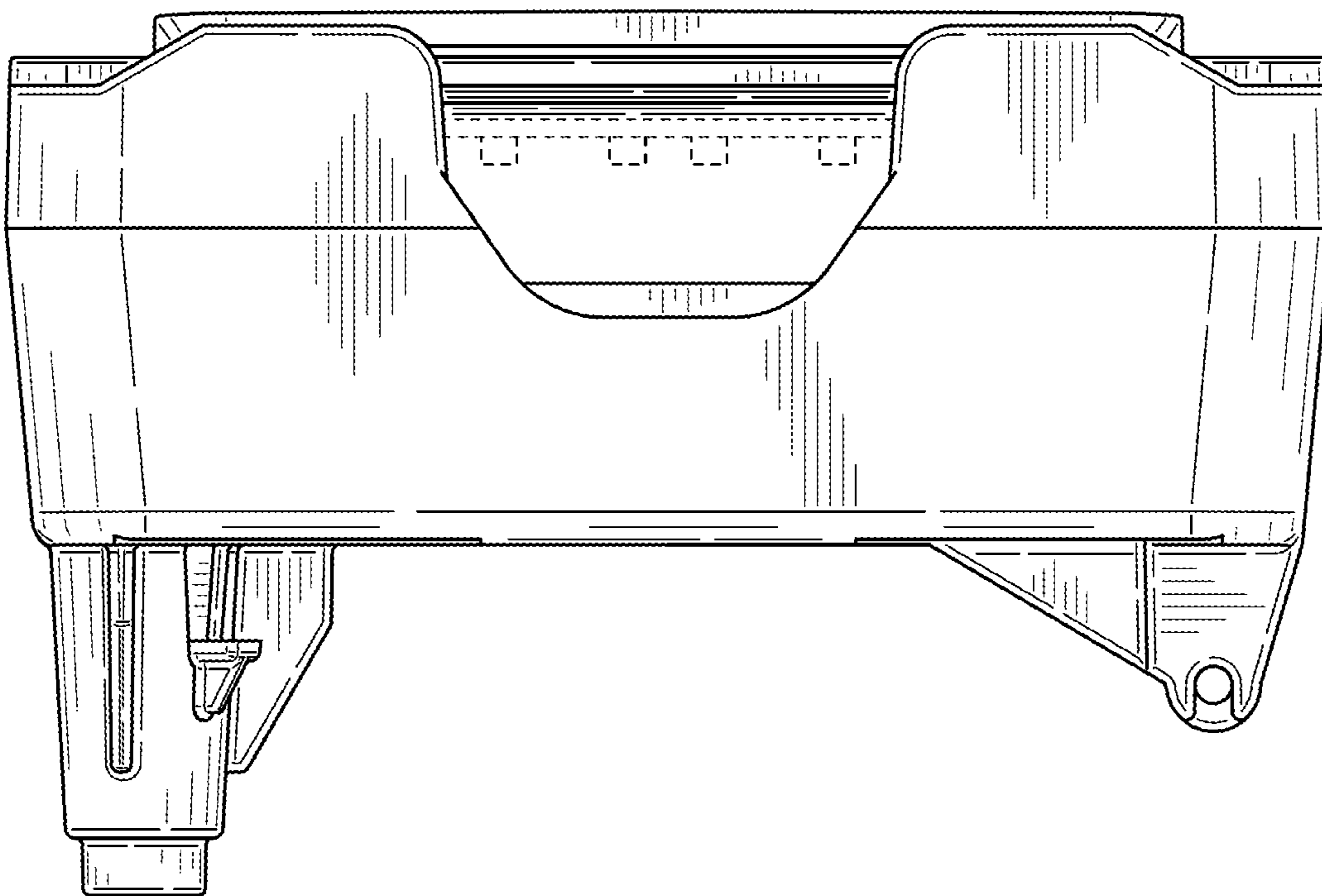


FIG. 7

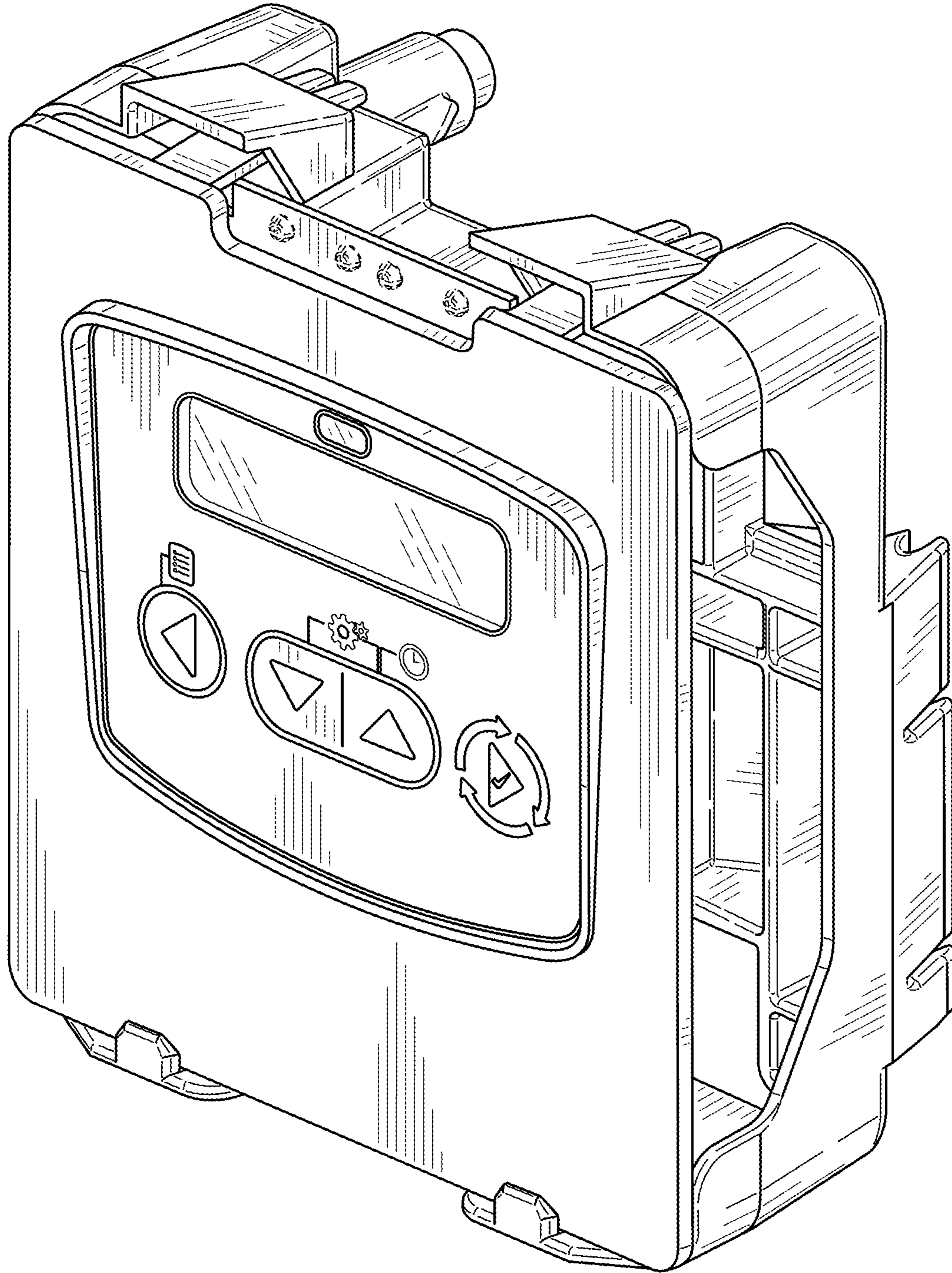


FIG. 8

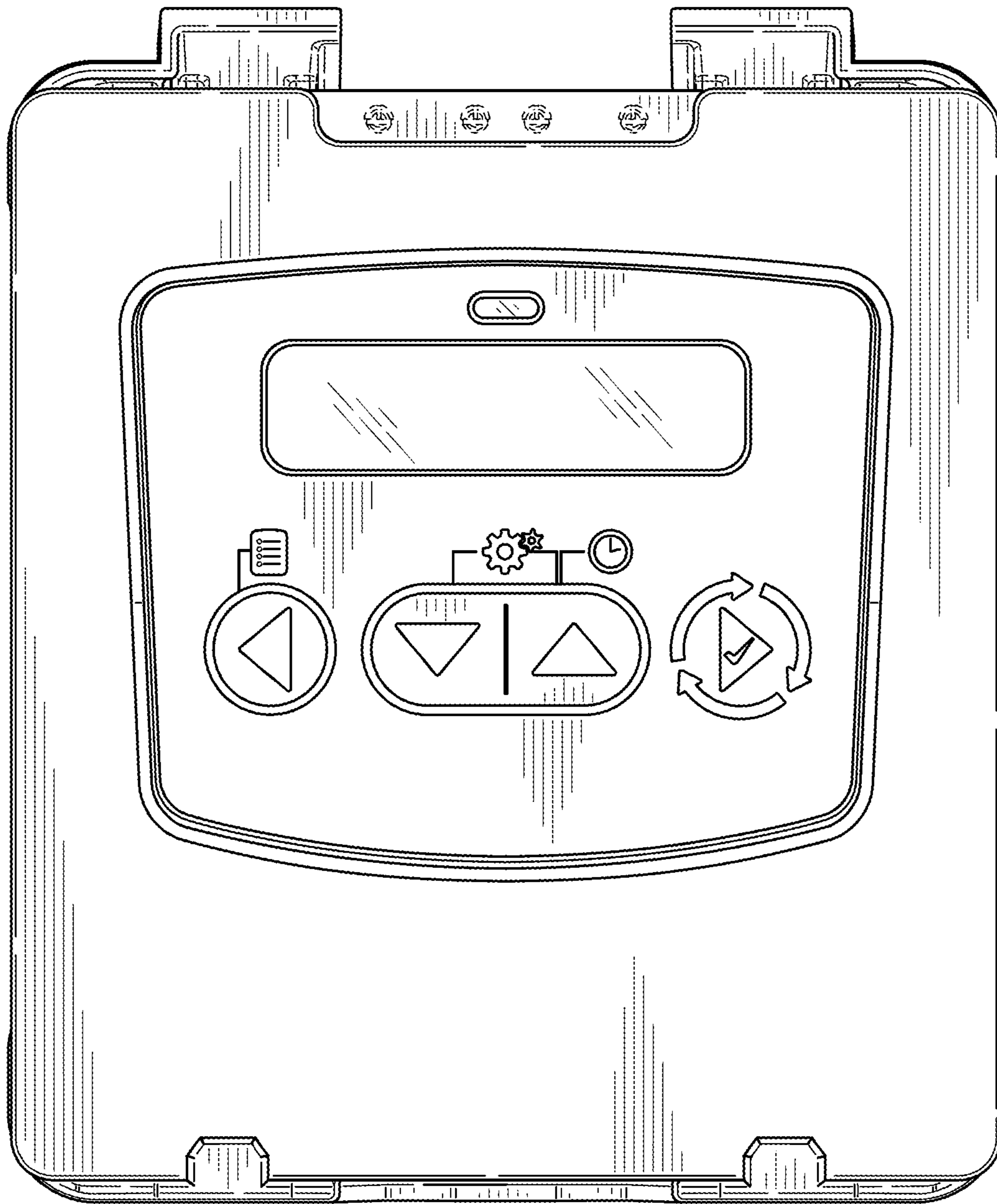


FIG. 9

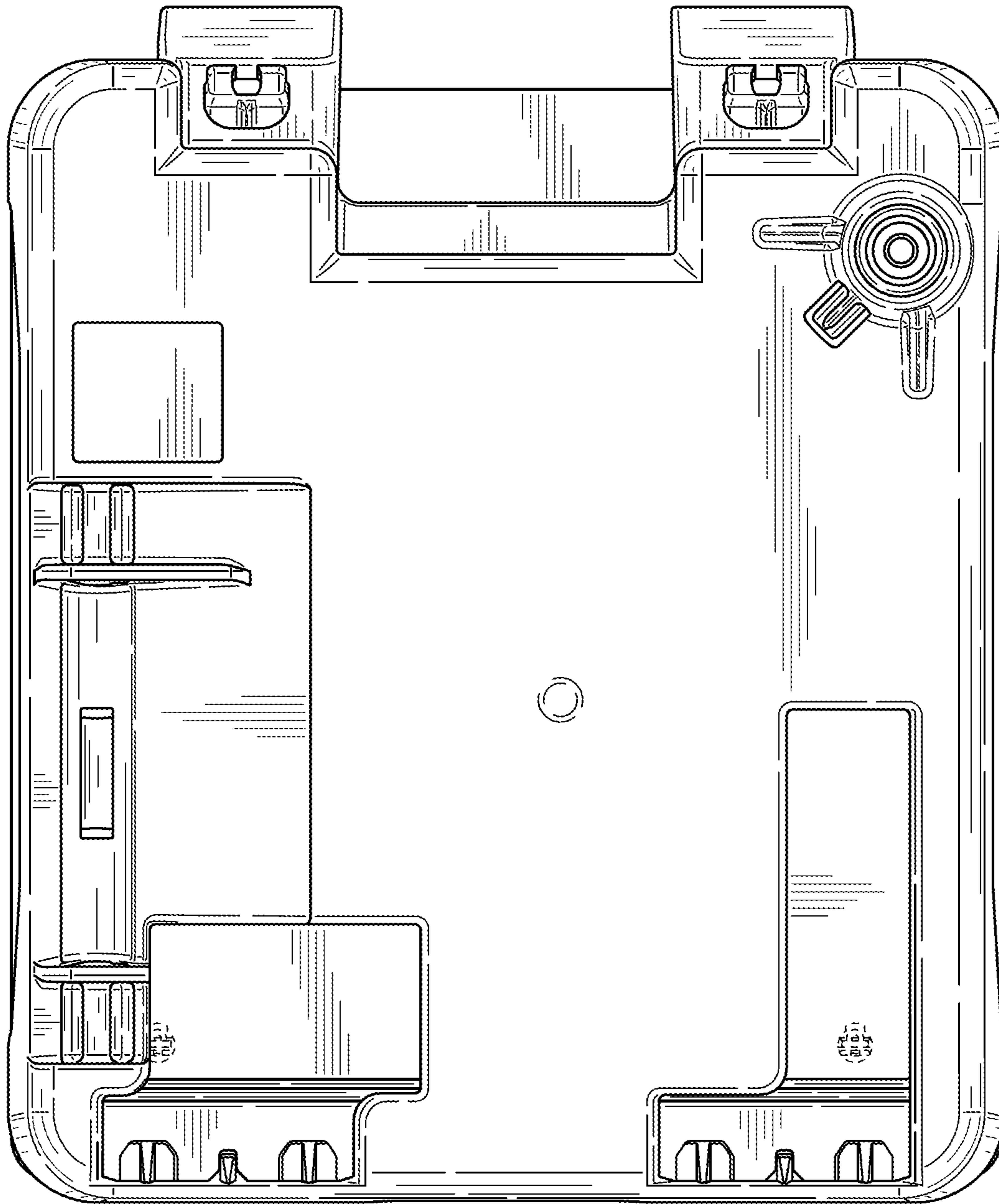


FIG. 10

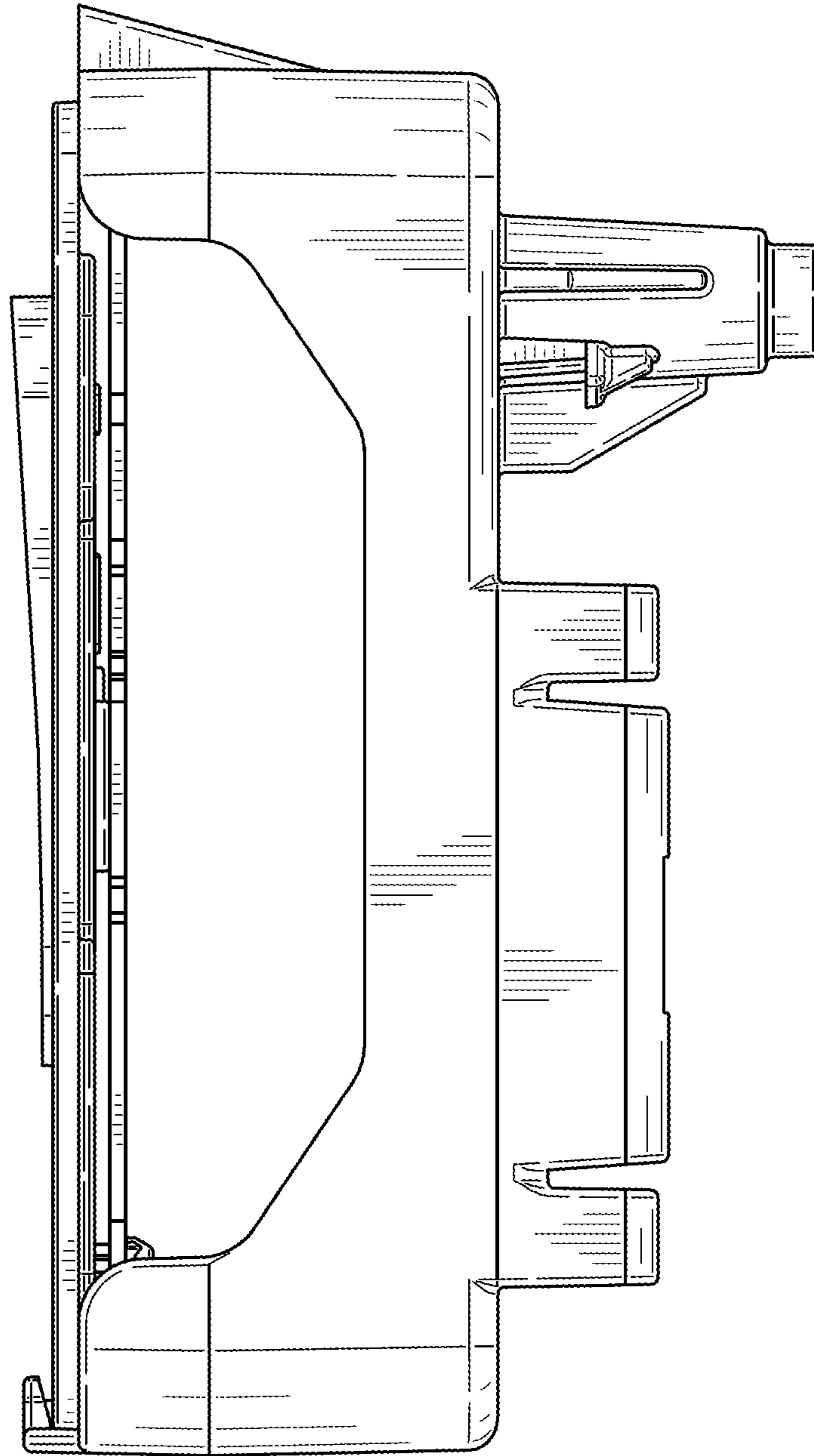


FIG. 11

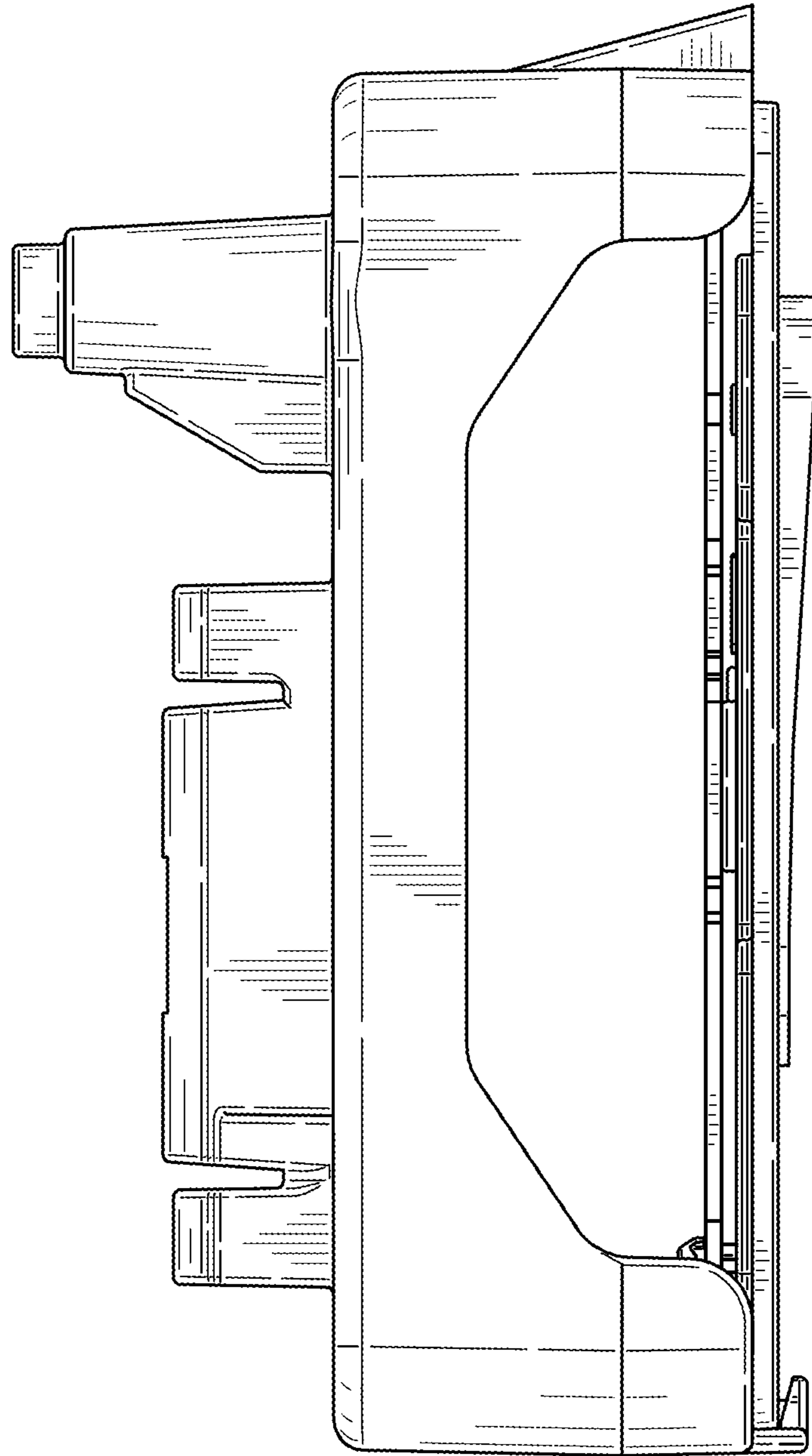


FIG. 12

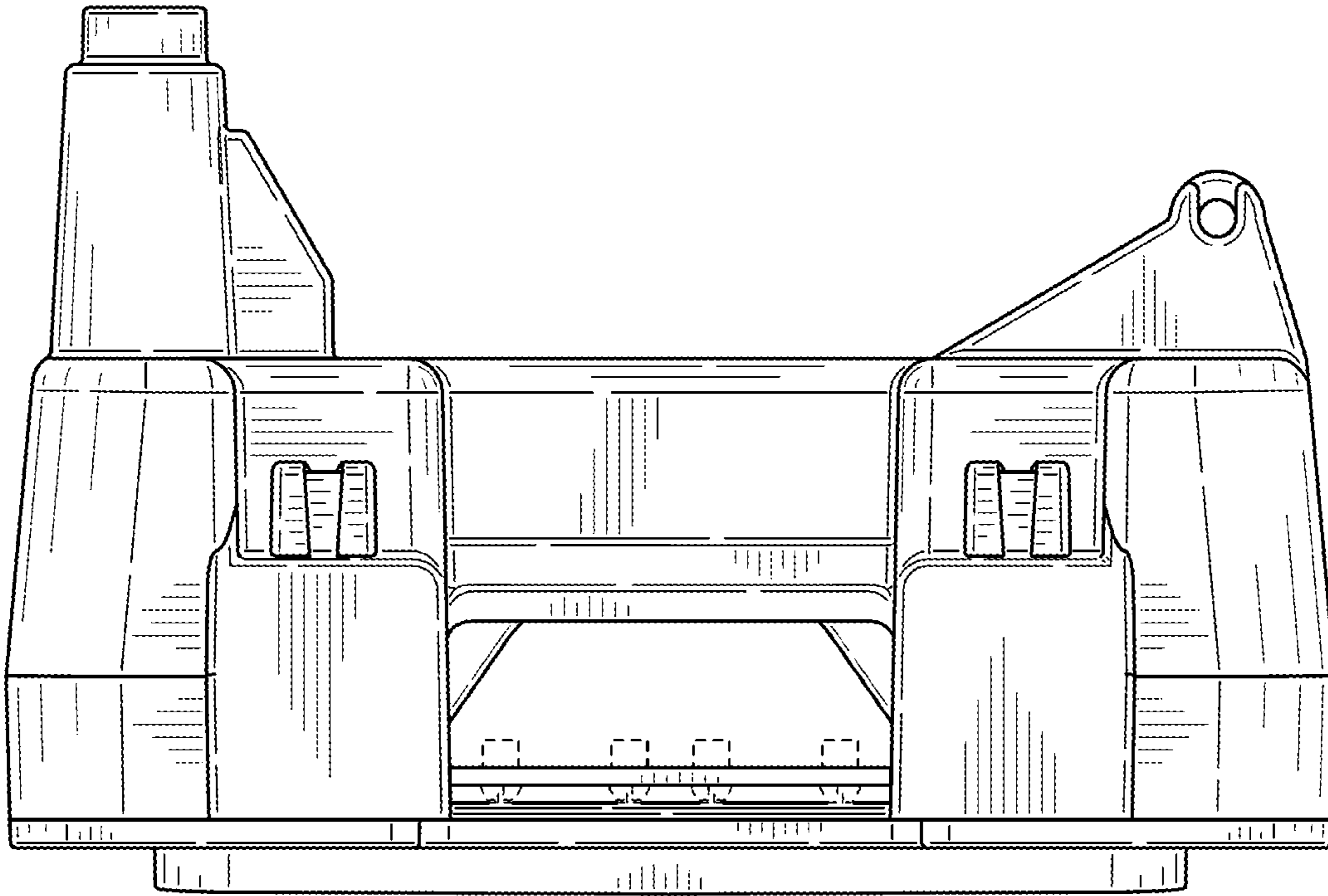


FIG. 13

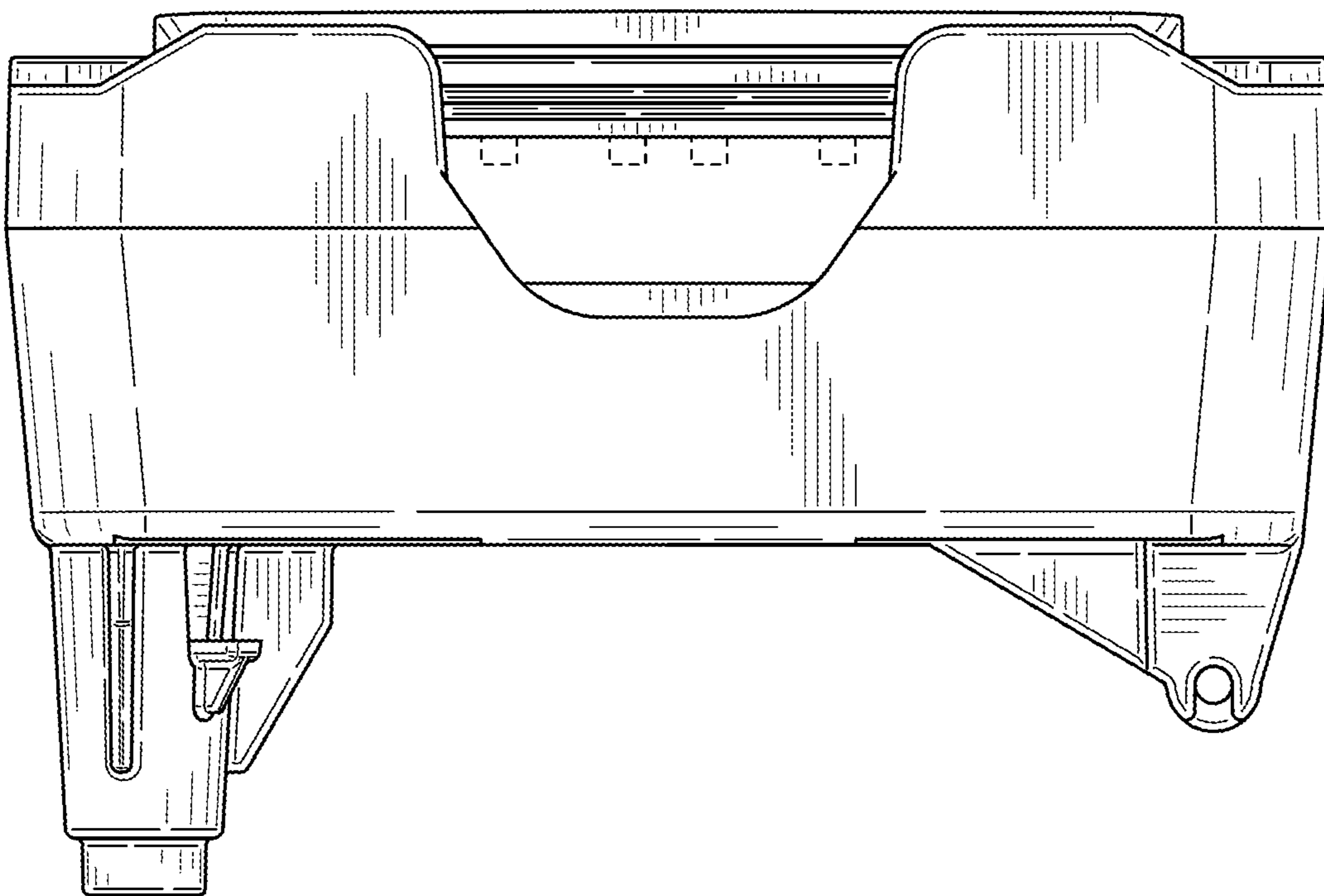


FIG. 14