



US00D904904S

(12) **United States Design Patent** (10) **Patent No.:** **US D904,904 S**
Chabloz (45) **Date of Patent:** **** Dec. 15, 2020**

(54) **WATCH**

(71) Applicant: **PATEK PHILIPPE SA GENEVE,**
Geneva (CH)

(72) Inventor: **David Chabloz,** Sallanches (FR)

(73) Assignee: **PATEK PHILIPPE SA GENEVE,**
Geneva (CH)

(**) Term: **15 Years**

(21) Appl. No.: **29/684,729**

(22) Filed: **Mar. 22, 2019**

D547,211 S *	7/2007	Dias	D10/39
D559,131 S *	1/2008	Laucella	D10/39
D588,475 S *	3/2009	Calvani	D10/39
D640,582 S	6/2011	Behling		
D663,646 S	7/2012	Gigandet et al.		
D685,280 S	7/2013	Muller et al.		
D705,671 S	5/2014	Mijatovic		
D725,530 S	3/2015	Graff		
D726,555 S *	4/2015	Ruffieux	D10/39
D782,338 S	3/2017	White et al.		
D792,245 S *	7/2017	Ruffieux	D10/39
D792,246 S	7/2017	Ruffieux		
D810,588 S	2/2018	Macaluso et al.		
D811,905 S	3/2018	White et al.		
D816,517 S	5/2018	Emmenegger		
D821,229 S	6/2018	Ruffieux		
D821,906 S	7/2018	Parmigiani		
D827,476 S	9/2018	Blotacker		
D828,206 S	9/2018	Blotacker		

Related U.S. Application Data

(62) Division of application No. 35/504,608, filed on Sep. 15, 2017 (U.S. filing date under 35 U.S.C. 384), and having an international filing date of Sep. 15, 2017, now Pat. No. Des. 853,879.

(51) **LOC (12) Cl.** **10-02**

(52) **U.S. Cl.**
USPC **D10/39**

(58) **Field of Classification Search**
USPC D10/32, 39
See application file for complete search history.

(56) **References Cited**

U.S. PATENT DOCUMENTS

D473,473 S *	4/2003	Wunderman	D10/32
D508,653 S *	8/2005	Roden	D10/32
D518,387 S	4/2006	Roden		
D519,852 S	5/2006	Roden		
D530,226 S *	10/2006	Senggen	D10/32

* cited by examiner

Primary Examiner — George D. Kirschbaum
(74) *Attorney, Agent, or Firm* — Nixon & Vanderhye

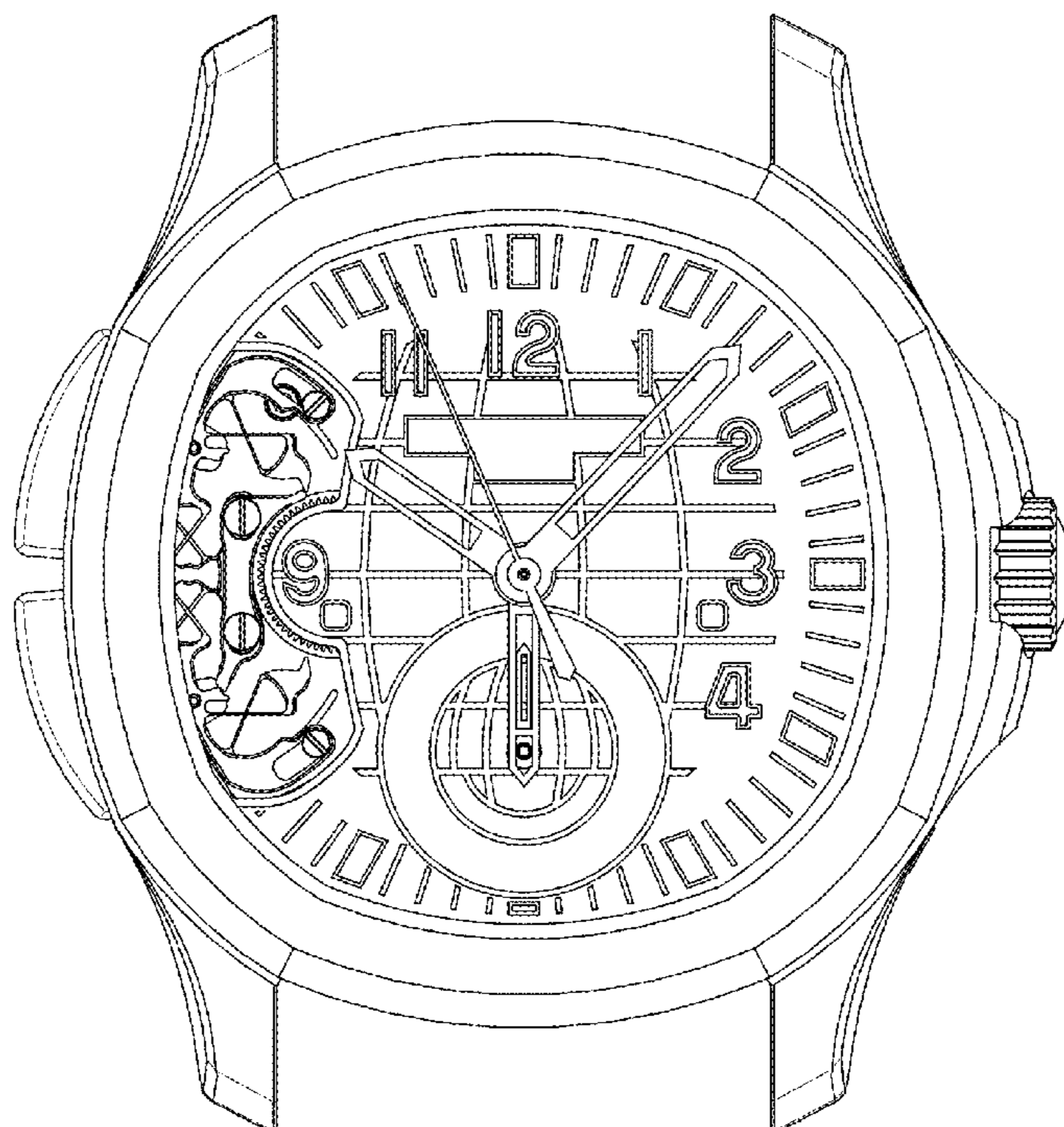
(57) **CLAIM**

The ornamental design for a watch, as shown and described.

DESCRIPTION

FIG. 1 is a front elevation view of a watch showing the new design;
FIG. 2 is rear elevation view thereof;
FIG. 3 is a left side elevation view thereof;
FIG. 4 is a right side elevation view thereof;
FIG. 5 is a bottom plan view thereof;
FIG. 6 is a top plan view thereof; and,
FIG. 7 is a bottom, front, left side perspective view thereof.

1 Claim, 7 Drawing Sheets



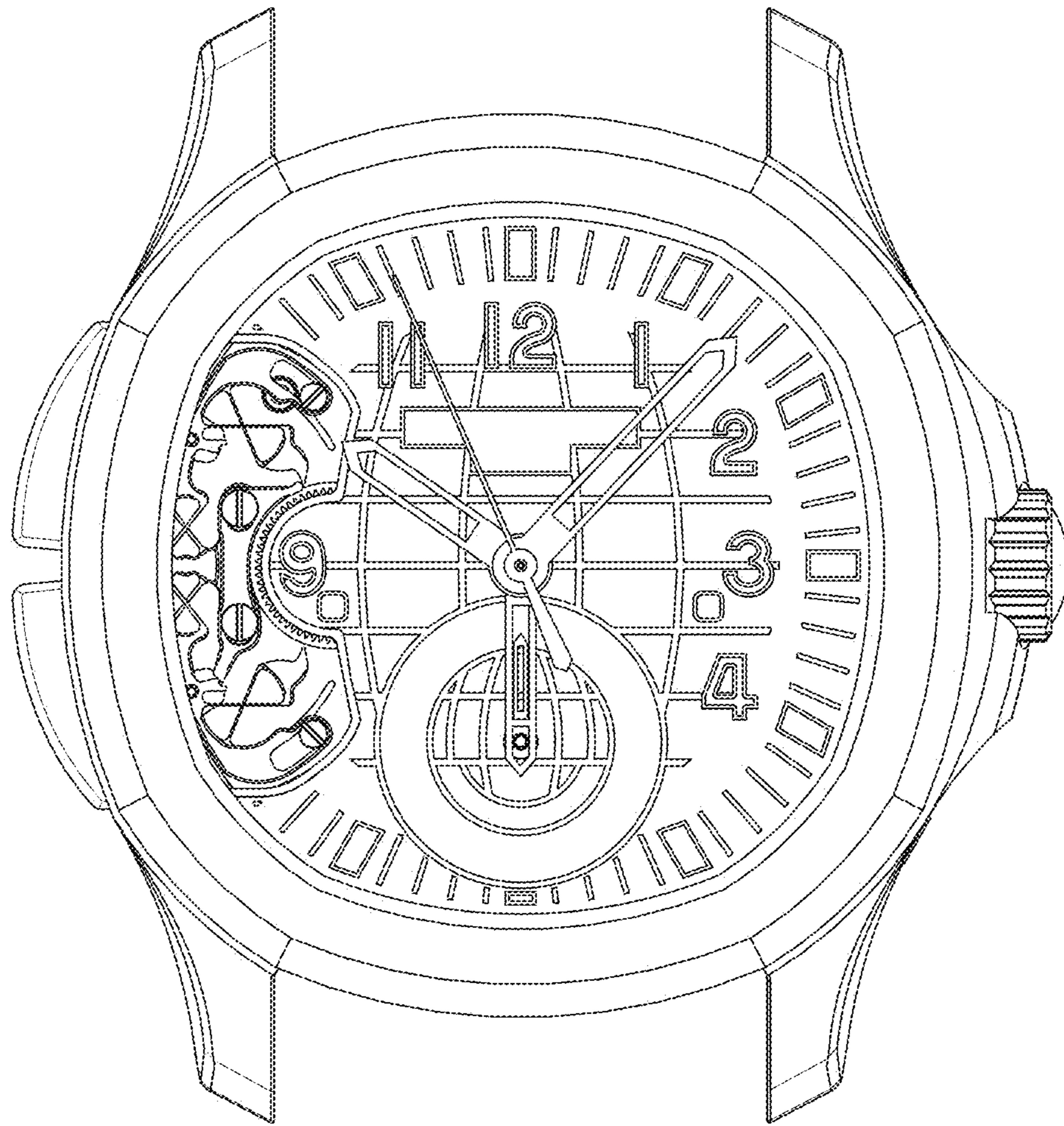


FIG. 1

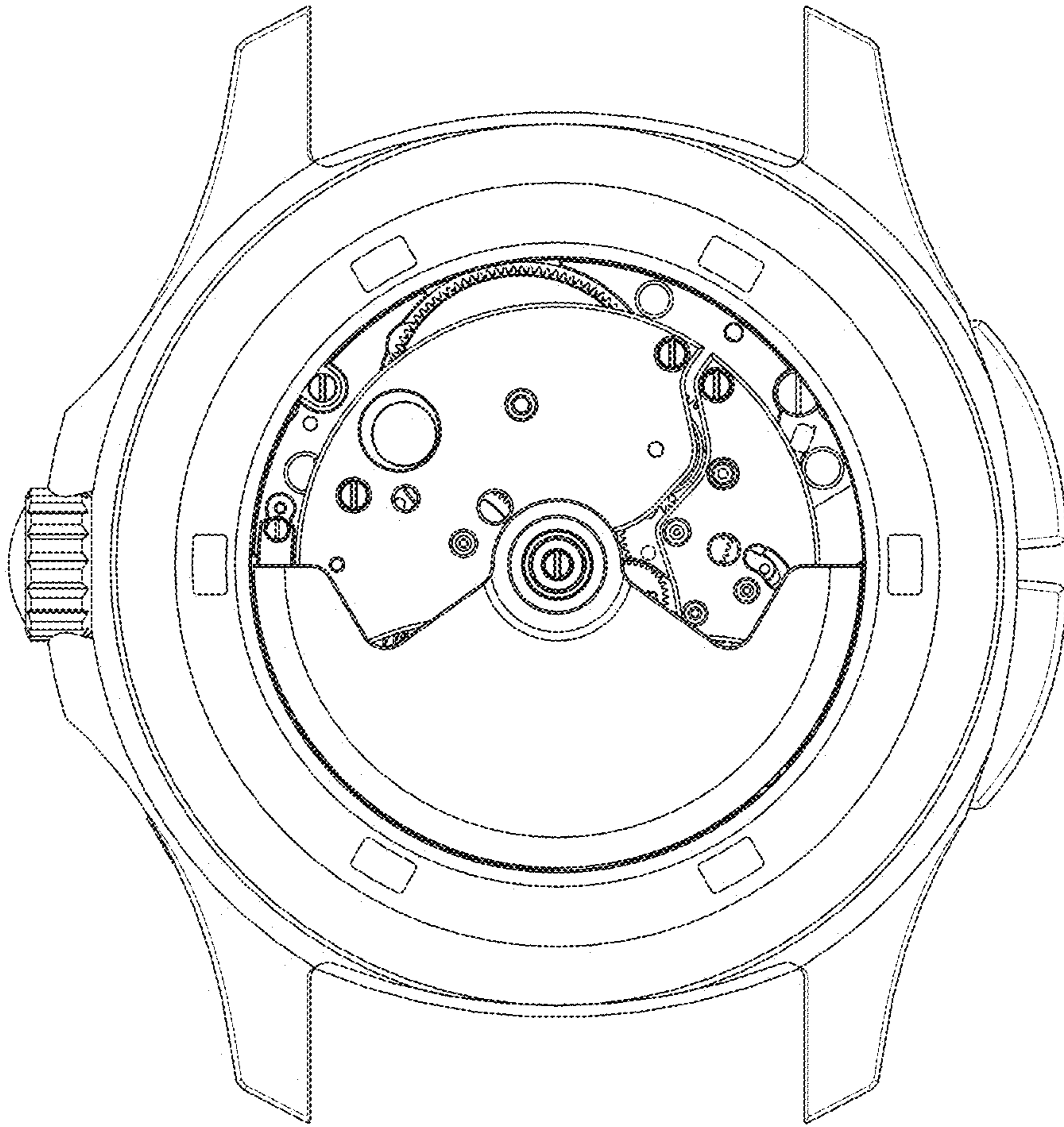


FIG. 2

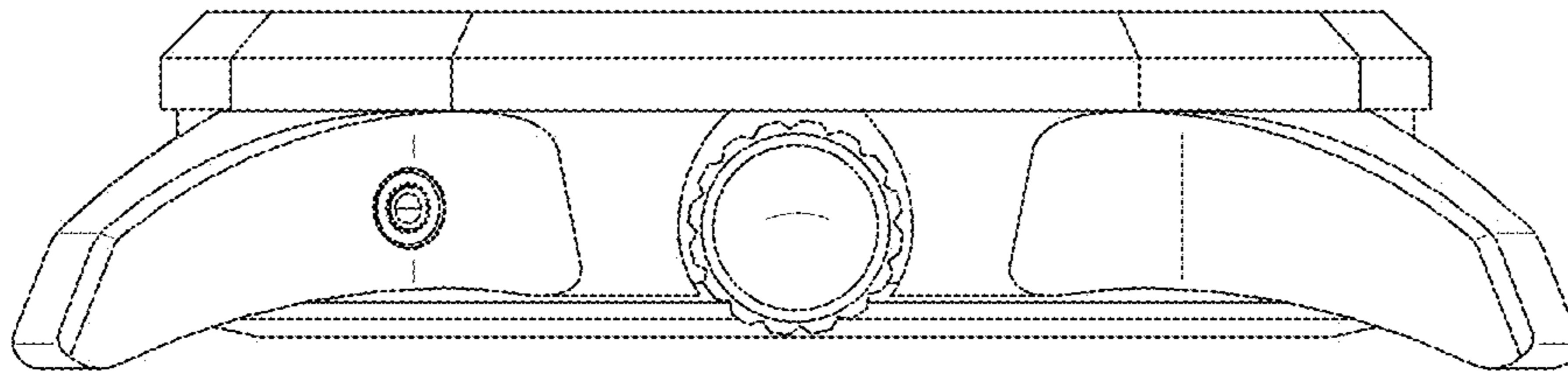


FIG. 3

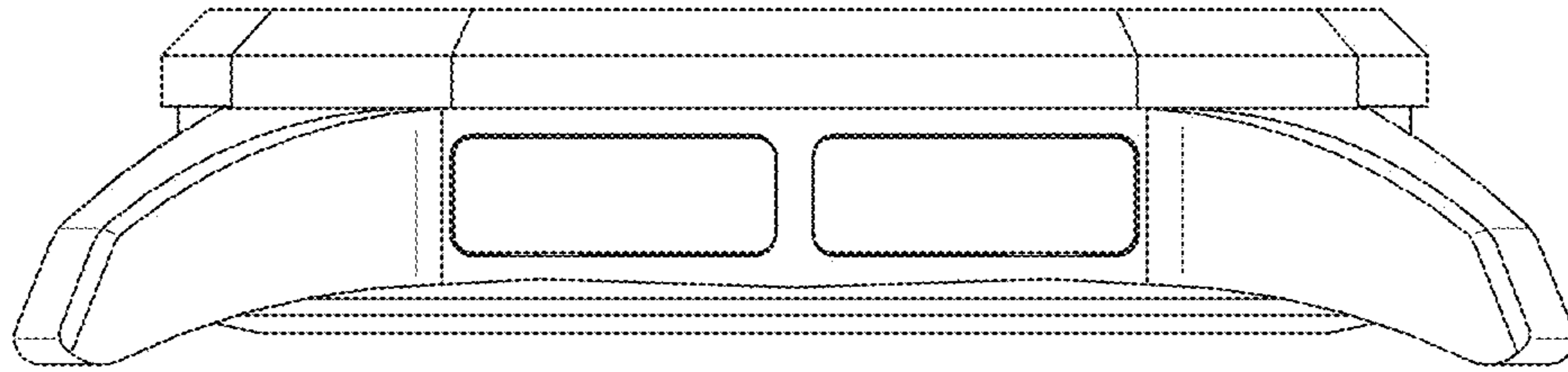


FIG. 4

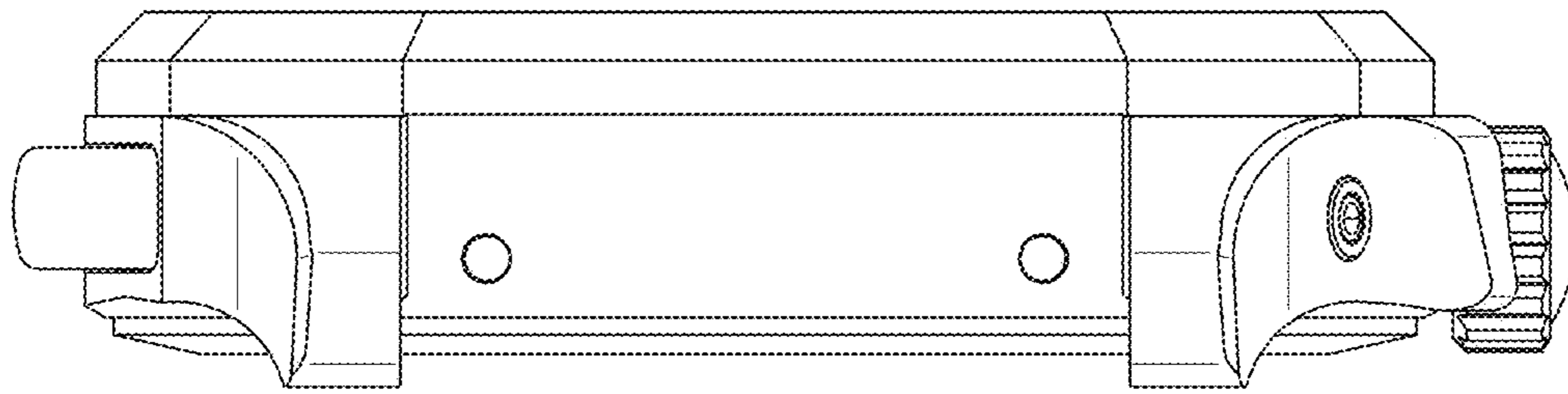


FIG. 5

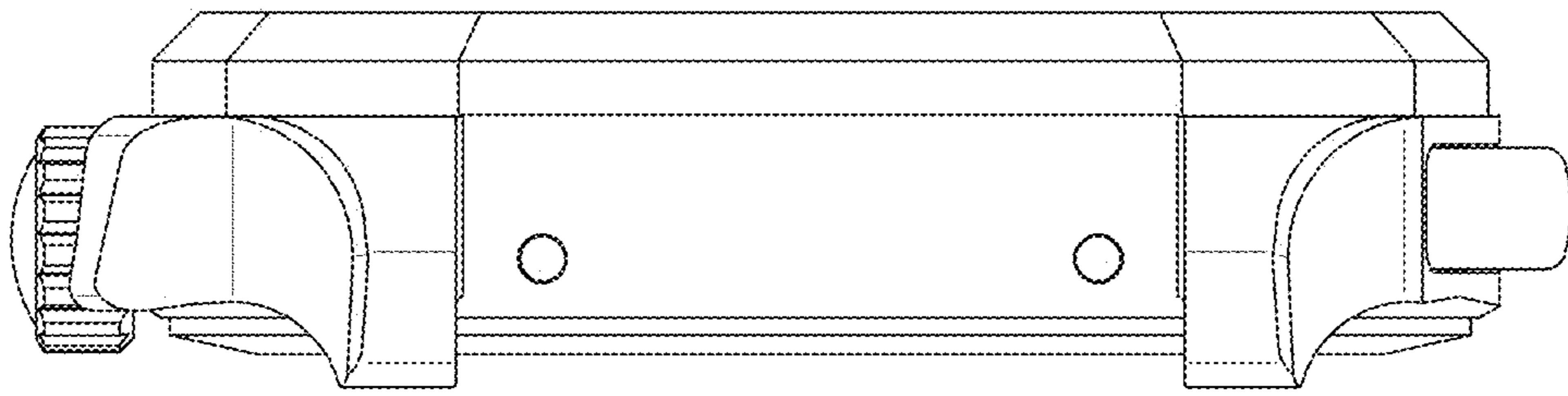


FIG. 6

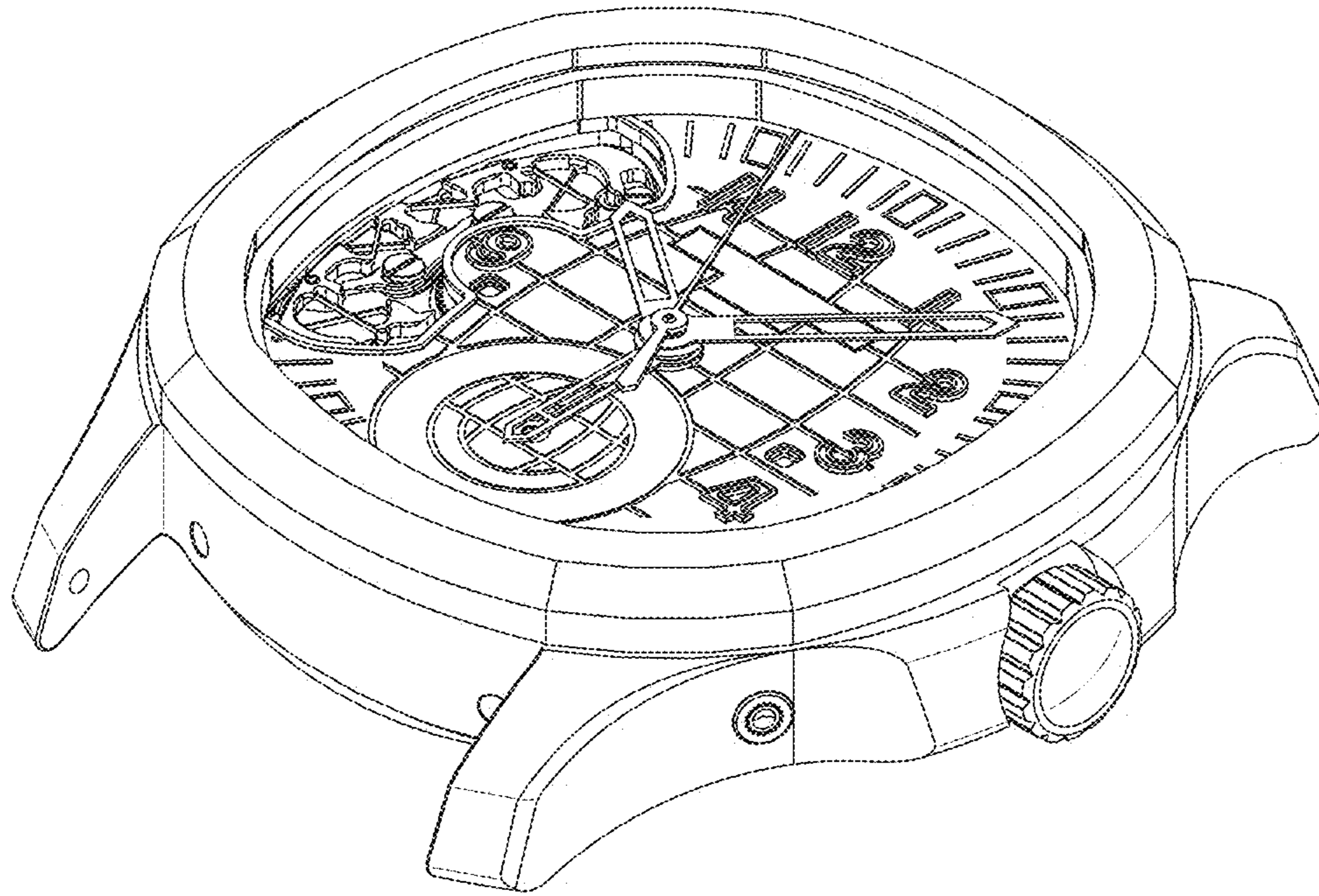


FIG. 7