



US00D904903S

(12) **United States Design Patent** (10) **Patent No.:** **US D904,903 S**  
**Lasserre** (45) **Date of Patent:** **\*\* Dec. 15, 2020**

(54) **WATCH**

(71) Applicant: **Harry Winston SA**, Plan-les-Ouates (CH)

(72) Inventor: **Christophe Lasserre**, Geneva (CH)

(73) Assignee: **Harry Winston SA**, Plan-les-Ouates (CH)

(\*\*) Term: **15 Years**

(21) Appl. No.: **29/694,333**

(22) Filed: **Jun. 10, 2019**

(30) **Foreign Application Priority Data**

Dec. 28, 2018 (WO) ..... DM200545

(51) **LOC (12) Cl.** ..... **10-02**

(52) **U.S. Cl.**  
USPC ..... **D10/38**

(58) **Field of Classification Search**  
USPC ..... D10/30-39, 122-125, 128; D11/3, 16, D11/56, 86, 89  
CPC ..... G04B 19/04; G04B 19/06; G04B 19/08; G04B 19/085; G04B 19/10; G04B 19/103; G04B 19/106; G04B 19/12; G04B 37/1486; G04B 39/002; G04B 39/004; G04B 39/006; G04B 45/0061; G04B 45/0069; G04B 45/0076; G04B 47/04; G04B 47/042; G04B 47/00  
See application file for complete search history.

(56) **References Cited**

**U.S. PATENT DOCUMENTS**

D78,478 S \* 5/1929 Mechlovits ..... D11/56  
D143,489 S \* 1/1946 Hobe ..... D11/44  
D145,213 S \* 7/1946 Hobe ..... D11/56  
D273,371 S \* 4/1984 Bulgari ..... D11/56  
D331,726 S \* 12/1992 Chia ..... D11/56

D339,533 S \* 9/1993 Frappe ..... D10/128  
D339,752 S \* 9/1993 Frappe ..... D10/125  
D355,371 S \* 2/1995 Strasser ..... D10/30  
D416,495 S \* 11/1999 Pitteloud ..... D10/30  
D454,310 S \* 3/2002 Dostourian ..... D10/30  
D525,149 S \* 7/2006 Plan ..... D10/32  
D544,376 S \* 6/2007 Chodat ..... D10/38  
D545,695 S \* 7/2007 Laucella ..... D10/31  
D554,537 S \* 11/2007 Actis-Datta ..... D10/32  
D569,740 S \* 5/2008 Bodino ..... D10/38  
D574,261 S \* 8/2008 Dreyfuss ..... D10/32

(Continued)

**OTHER PUBLICATIONS**

Tiffany 1930s Patek Philippe Movement Bracelet Watch | 1stdibs.com watch circa 1930s [online]. © 2020 1stdibs.com, Inc. [retrieved Jul. 22, 2020] from Internet: <[https://www.1stdibs.com/jewelry/watches/wrist-watches/tiffany-co-1930s-diamond-platinum-patek-philippe-movement-bracelet-watch/id-v\\_2096553/](https://www.1stdibs.com/jewelry/watches/wrist-watches/tiffany-co-1930s-diamond-platinum-patek-philippe-movement-bracelet-watch/id-v_2096553/)> (Year: 1930).\*

(Continued)

*Primary Examiner* — Sandra Snapp  
*Assistant Examiner* — Katherine Glennon  
(74) *Attorney, Agent, or Firm* — Blank Rome LLP

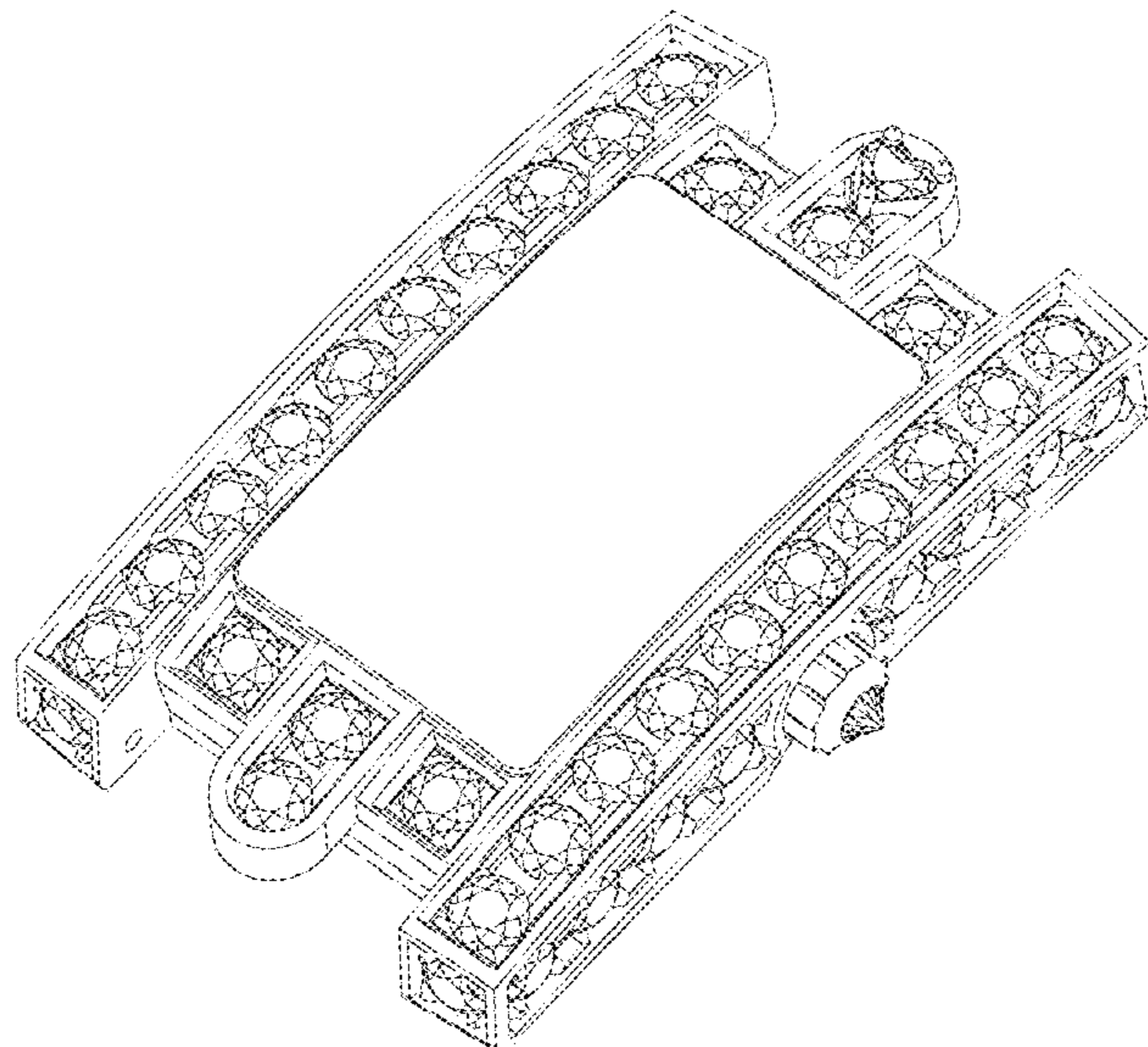
(57) **CLAIM**

The ornamental design for a watch, as shown and described.

**DESCRIPTION**

FIG. 1 is a front view of a watch of the present design; FIG. 2 is a rear view thereof; FIG. 3 is a right side view thereof; FIG. 4 is a left side view thereof; FIG. 5 is a top view thereof; FIG. 6 is a bottom view thereof; and FIG. 7 is a front perspective view thereof; and, FIG. 8 is a rear perspective view thereof. The broken lines in the drawings show portions of the watch that form no part of the claimed design.

**1 Claim, 8 Drawing Sheets**



(56)

**References Cited**

U.S. PATENT DOCUMENTS

D614,513	S	*	4/2010	Takahashi	.....	D10/32
D614,973	S	*	5/2010	Takahashi	.....	D10/32
D625,618	S	*	10/2010	Chastaingt	.....	D10/38
D659,048	S	*	5/2012	Ehrenstrasser	.....	D11/89
D667,335	S	*	9/2012	Kothari	.....	D11/91
D691,510	S	*	10/2013	Ho	.....	D11/92
D726,579	S	*	4/2015	Sishodia	.....	D11/89
D780,028	S	*	2/2017	Yatsugi-Kang	.....	D11/34
D793,873	S	*	8/2017	Lasserre	.....	D10/30
D800,581	S	*	10/2017	Valzan	.....	D10/30
D880,330	S	*	4/2020	Valzan	.....	D10/125

OTHER PUBLICATIONS

1930s Ladies Vintage Tiffany Co | posted at [secondtimearoundwatchco.com](http://www.secondtimearoundwatchco.com) no posting date; watch circa 1930s [online]. © [retrieved Jul. 22, 2020] from Internet: <<http://www.secondtimearoundwatchco.com/watches-for-sale/a/a/10935>> (Year: 1930).\*

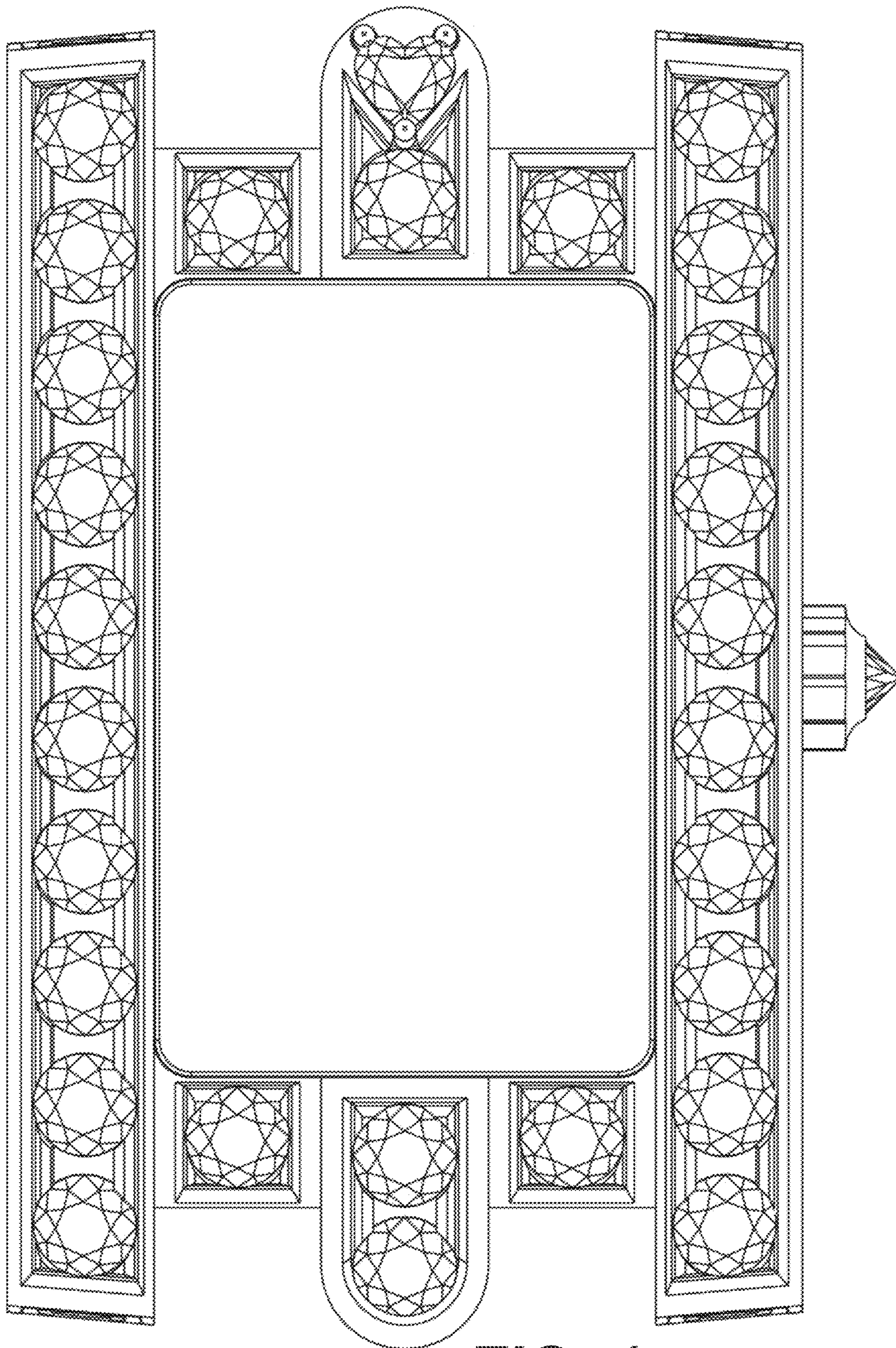
Chopard Ladys yellow gold pink sapphire quartz watch | posted at [sothebys.com](http://www.sothebys.com); watch circa 1985 [online]. © 2020 Sotheby's [retrieved Jul. 22, 2020] from Internet: <<http://www.sothebys.com/en/auctions/ecatalogue/lot.2138/html/2014/important-watches-hk0530>> (Year: 1985).\*

Chopard Silk Road Collection | posted by Melvyn Teillol-Foo Jul. 17, 2017 at [alphaluxe.com](http://www.alphaluxe.com) [online]. [retrieved Jul. 22, 2020] from Internet: <<https://www.alphaluxe.com/2017/07/chopard-silk-road-collection-%E2%80%8Bhigh-jewellery-meets-couture/>> (Year: 2017).\*

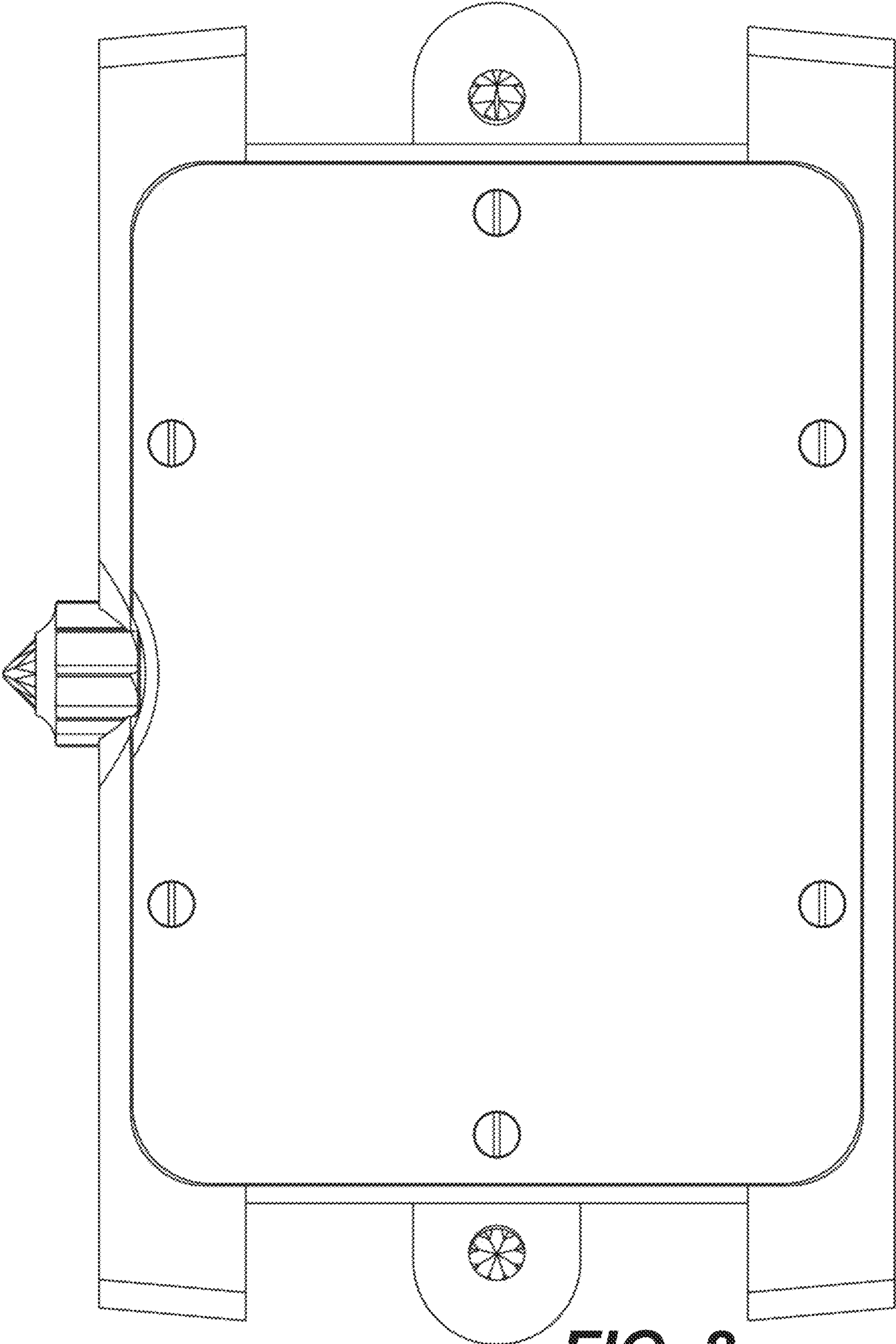
Harry Winston Premier Precious Love Movement | posted at [watchtime.com](http://www.watchtime.com) Feb. 2017 © 2018 Ebner Publishing International, Inc. [online][stie visited Mar. 24, 2018]. Available from internet: <<https://www.watchtime.com/wristwatch-industry-news/watches/ticking-hearts-3-ladies-watches-for-valentines-day/>> p. 2 (Year: 2017).\*

Harry Winston Avenue Classic Sweet Valentine | posted at [westime.com](http://www.westime.com) Jan. 30, 2019 [online]. © 2020 WESTIME [retrieved Jul. 24, 2020] from Internet: <<https://westime.com/news/articles/2019-01-30-harry-winston-avenue-classic-sweet-valentine>> (Year: 2019).\*

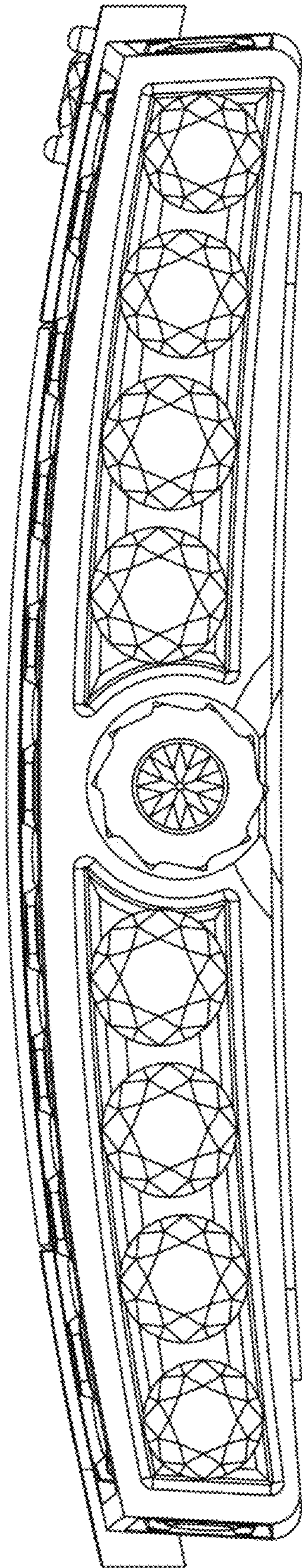
\* cited by examiner



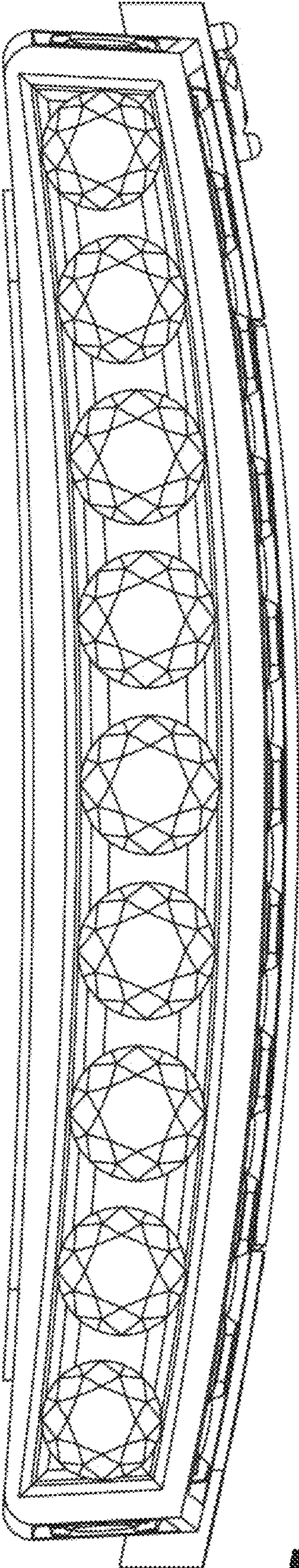
**FIG. 1**



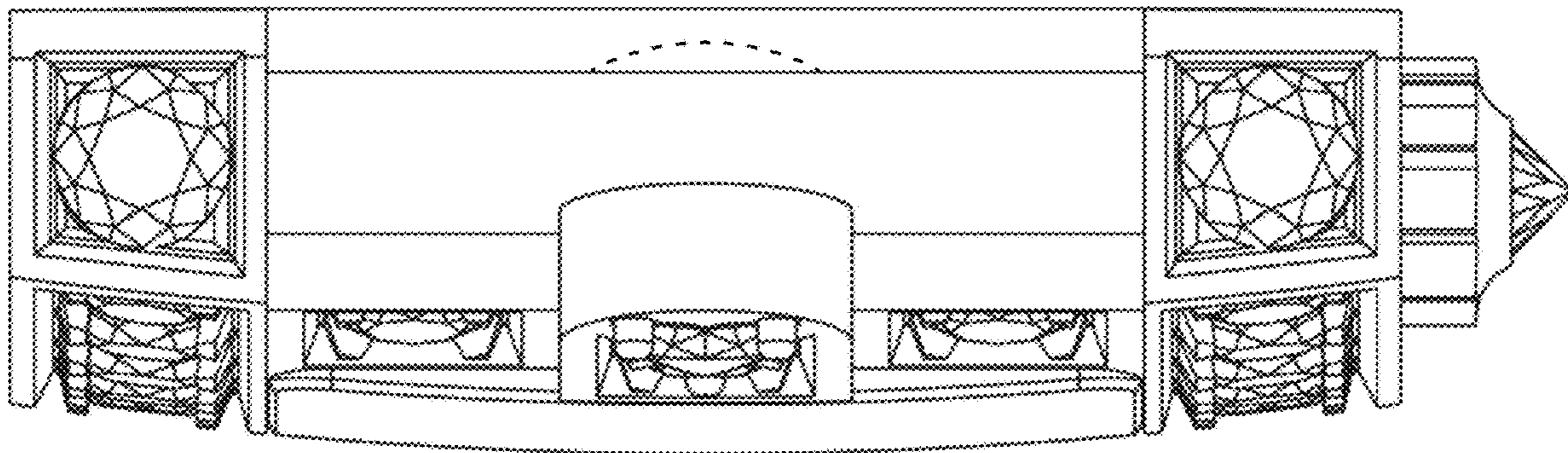
**FIG. 2**



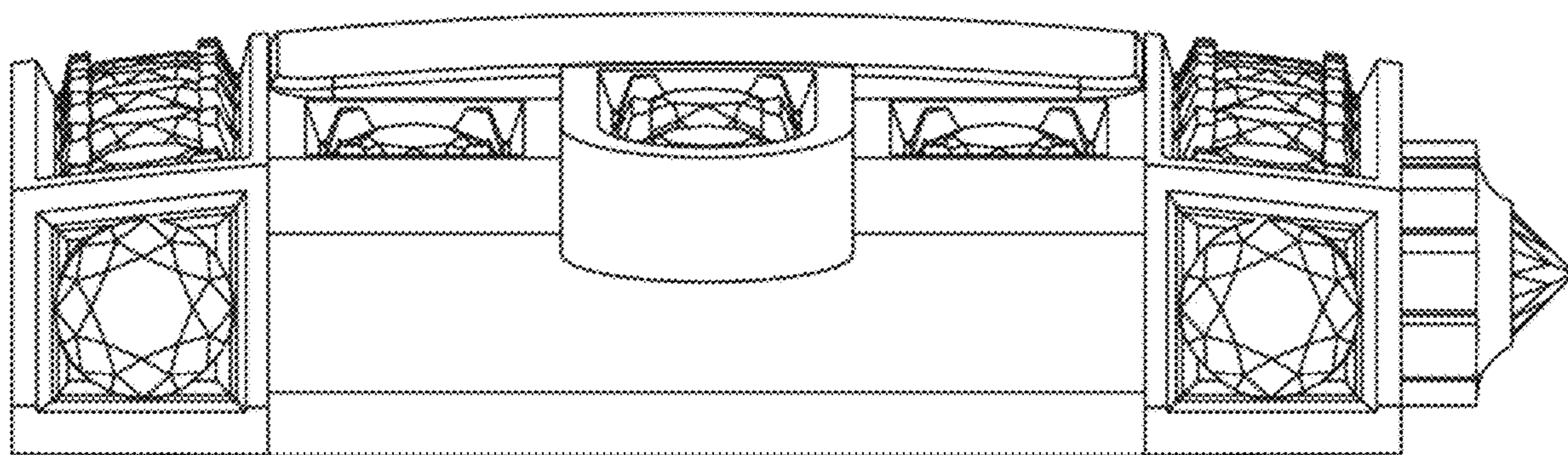
**FIG. 3**



**FIG. 4**

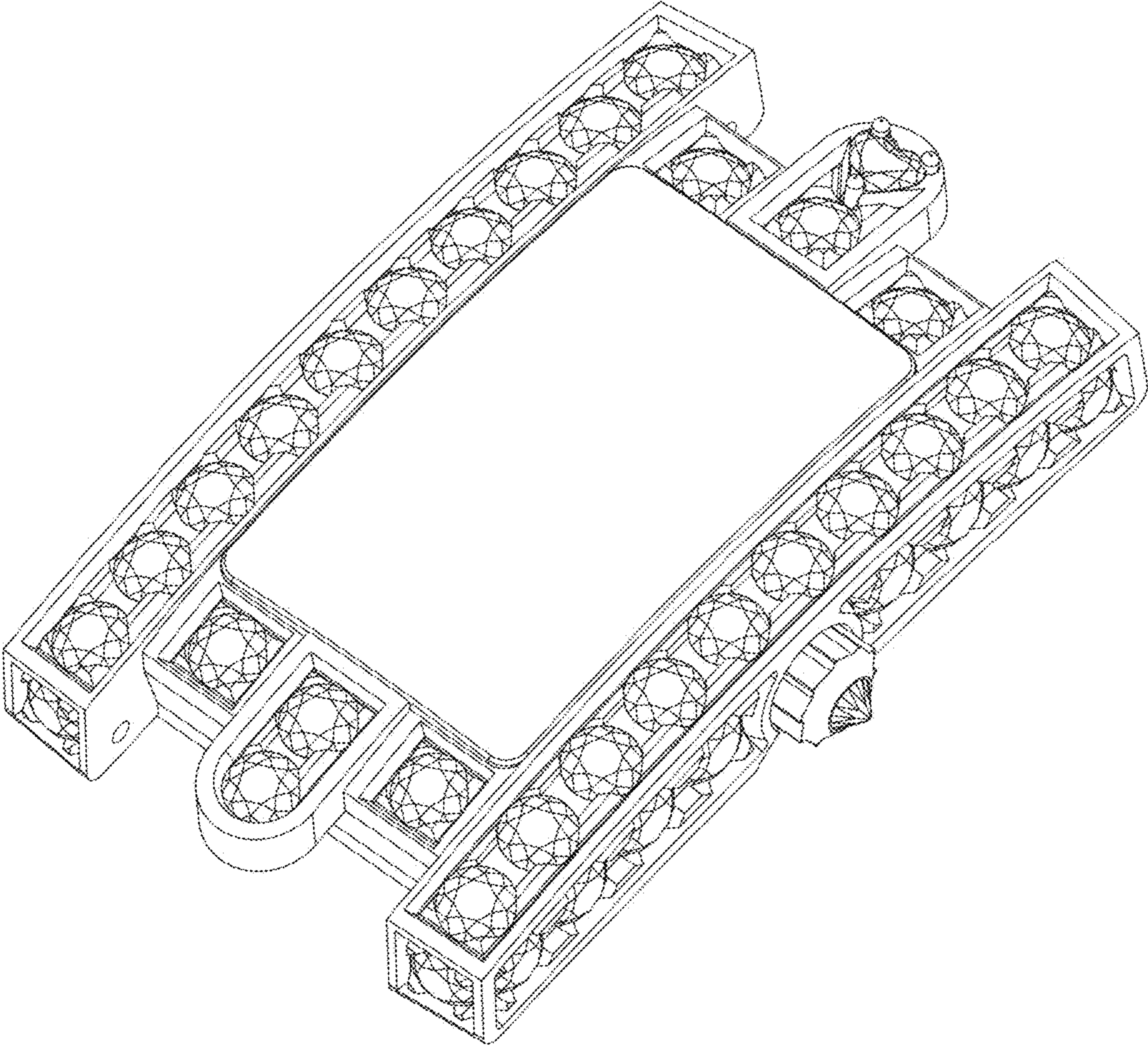


**FIG. 5**

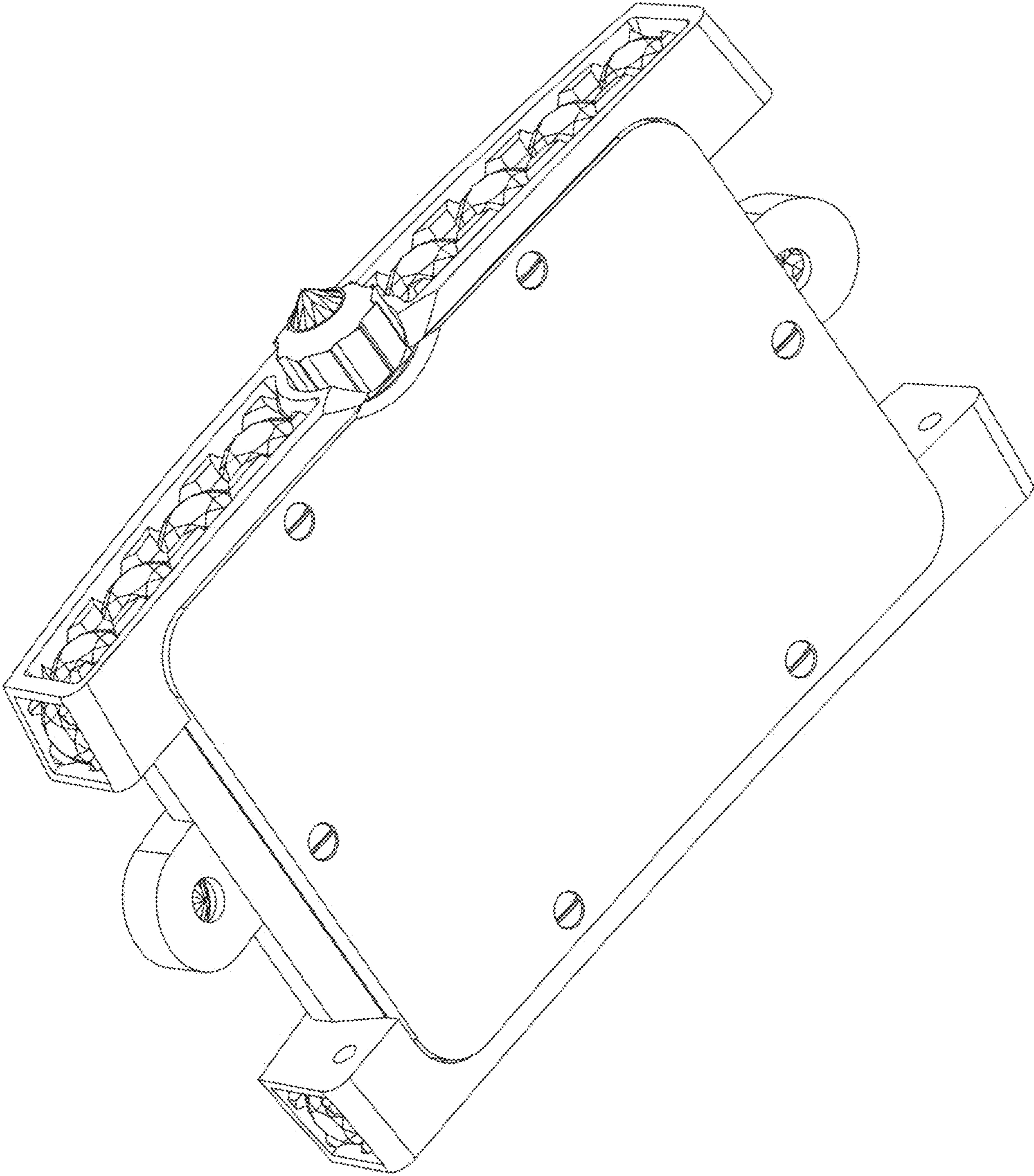


**FIG. 6**





**FIG. 7**



**FIG. 8**