



US00D904902S

(12) **United States Design Patent** (10) **Patent No.:** **US D904,902 S**
Yang et al. (45) **Date of Patent:** **** Dec. 15, 2020**

(54) **BOTTLE**

(71) Applicant: **CJK PACKAGING LIMITED,**
Chapel en le Frith (GB)

(72) Inventors: **Jinli Yang,** Shanghai (CN); **Qi Cheng,**
Shanghai (CN)

(**) Term: **15 Years**

(21) Appl. No.: **35/506,702**

(22) Filed: **Nov. 22, 2018**

(80) **Hague Agreement Data**

Int. Filing Date: **Nov. 22, 2018**

Int. Reg. No.: **DM/200672**

Int. Reg. Date: **Nov. 22, 2018**

Int. Reg. Pub. Date: **May 3, 2019**

(30) **Foreign Application Priority Data**

May 23, 2018 (CN) 2018 3 0244314

(51) **LOC (12) Cl.** **09-01**

(52) **U.S. Cl.**
USPC **D9/724; D9/503**

(58) **Field of Classification Search**
USPC D9/436, 444-446, 449, 504, 723-727
(Continued)

(56) **References Cited**

U.S. PATENT DOCUMENTS

D93,437 S * 10/1934 Ball D7/608

D368,425 S * 4/1996 Newell B65D 50/046

D9/504

D452,826 S * 1/2002 Bezek D9/503

(Continued)

Primary Examiner — Keli L Hill

(57) **CLAIM**

The ornamental design for a bottle, as shown and described.

DESCRIPTION

1.-4. Bottle

1.1 is a front elevation view.

1.2 is a rear elevation view.

1.3 is a side elevation view.

1.4 is a opposite side elevation view.

1.5 is a top plan view.

1.6 is a bottom plan view.

1.7 is a top perspective view.

1.8 is an alternate front elevation view shown with the cap removed.

1.9 is an alternate top perspective view shown with the cap removed.

2.1 is a front elevation view.

2.2 is a rear elevation view.

2.3 is a side elevation view.

2.4 is a opposite side elevation view.

2.5 is a top plan view.

2.6 is a bottom plan view.

2.7 is a top perspective view.

2.8 is an alternate front elevation view shown with the cap removed.

3.1 is a front elevation view.

3.2 is a rear elevation view.

3.3 is a side elevation view.

3.4 is a opposite side elevation view.

3.5 is a top plan view.

3.6 is a bottom plan view.

3.7 is a top perspective view.

3.8 is an alternate front elevation view shown with the cap removed.

4.1 is a front elevation view.

4.2 is a rear elevation view.

4.3 is a side elevation view.

4.4 is a opposite side elevation view.

4.5 is a top plan view.

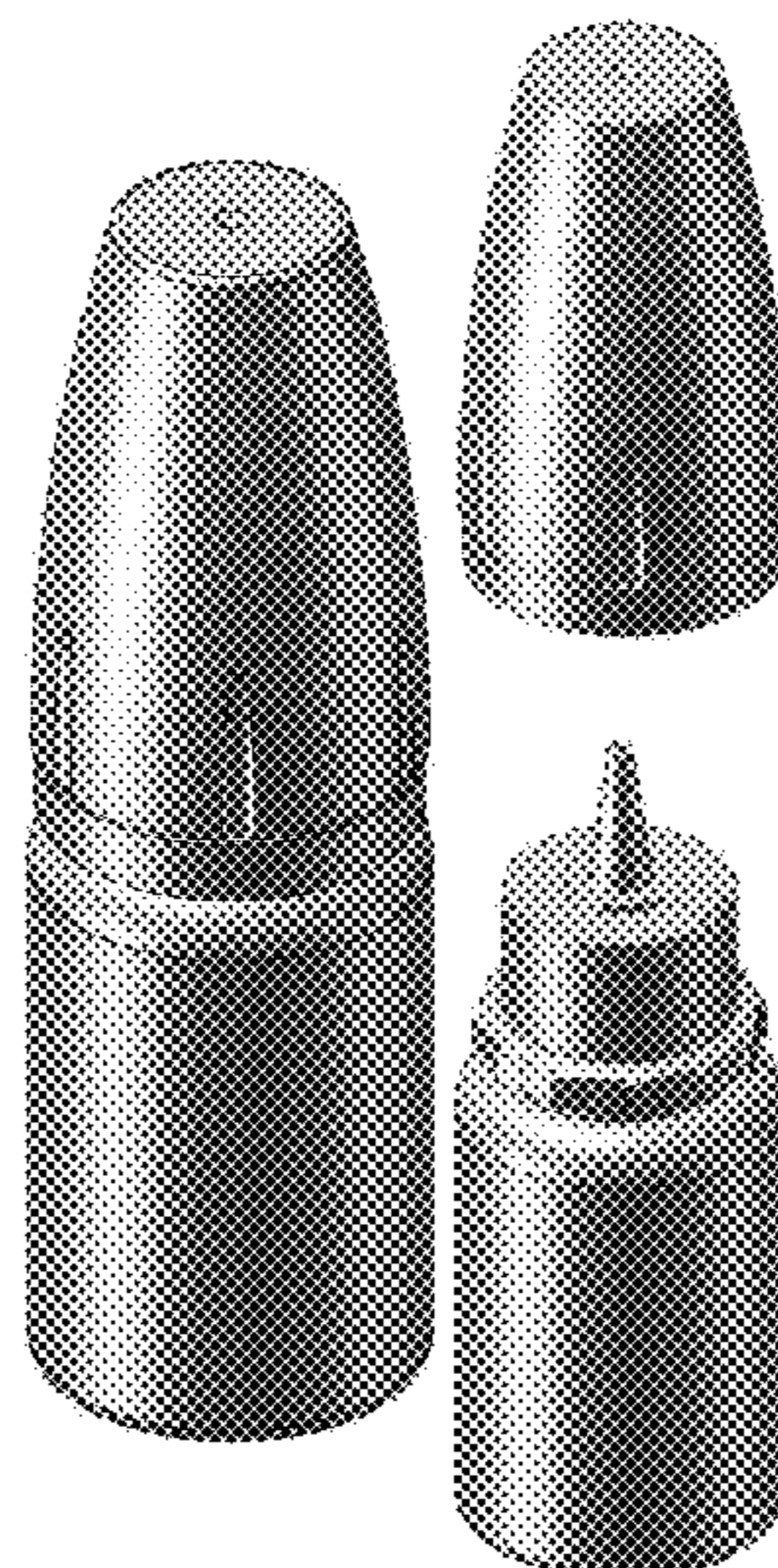
4.6 is a bottom plan view.

4.7 is a top perspective view.

4.8 is an alternate front elevation view shown with the cap removed.

Each design is for a bottle with a removable closure cap, e.g. for containing and dispensing a liquid product.

1 Claim, 33 Drawing Sheets



(58) **Field of Classification Search**

CPC B21D 51/26; B21D 51/383; B29C 66/71;
B65D 1/00; B65D 1/02; B65D 1/12;
B65D 1/14; B65D 1/40; B65D 1/44;
B65D 1/023; B65D 1/0223; B65D 1/165;
B65D 1/238; B65D 1/246; B65D 1/253;
B65D 7/04; B65D 7/0209; B65D 7/0233;
B65D 25/00; B65D 25/28; B65D
41/0457; B65D 41/17; B65D 53/06;
B65D 75/56; B65D 79/005; B65D
2501/0036; B65D 2543/00064; B65D
2543/00074; B65D 2543/00083; B65D
2543/00092; B65D 2543/00101; B65D
2543/00111; Y10T 29/49826

See application file for complete search history.

(56)

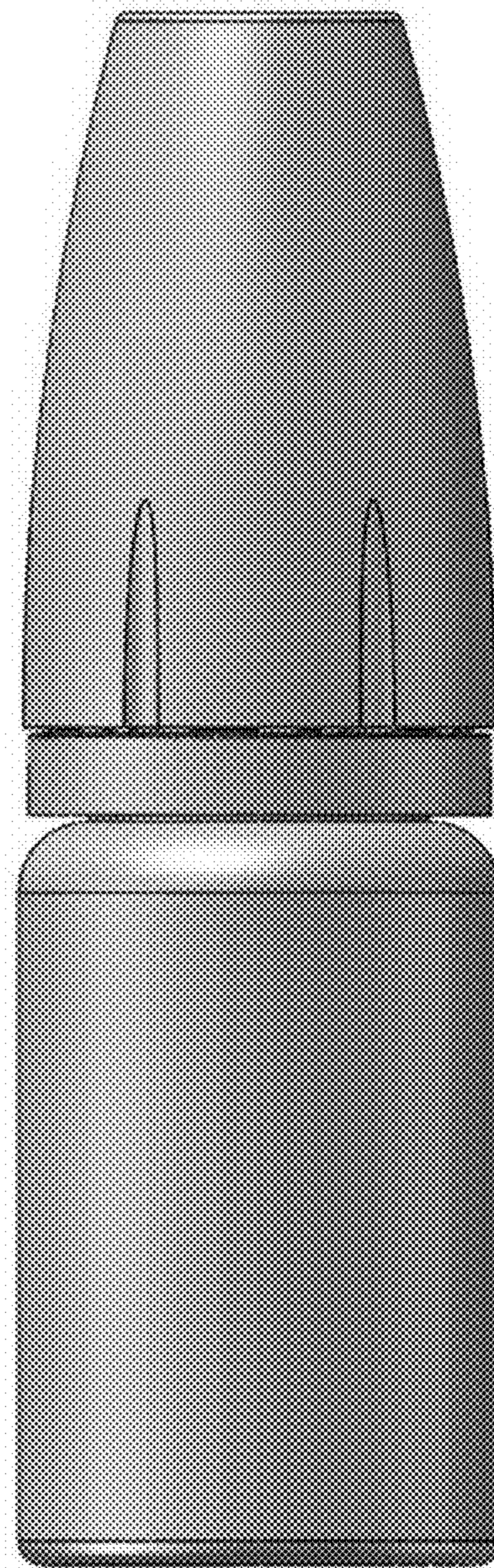
References Cited

U.S. PATENT DOCUMENTS

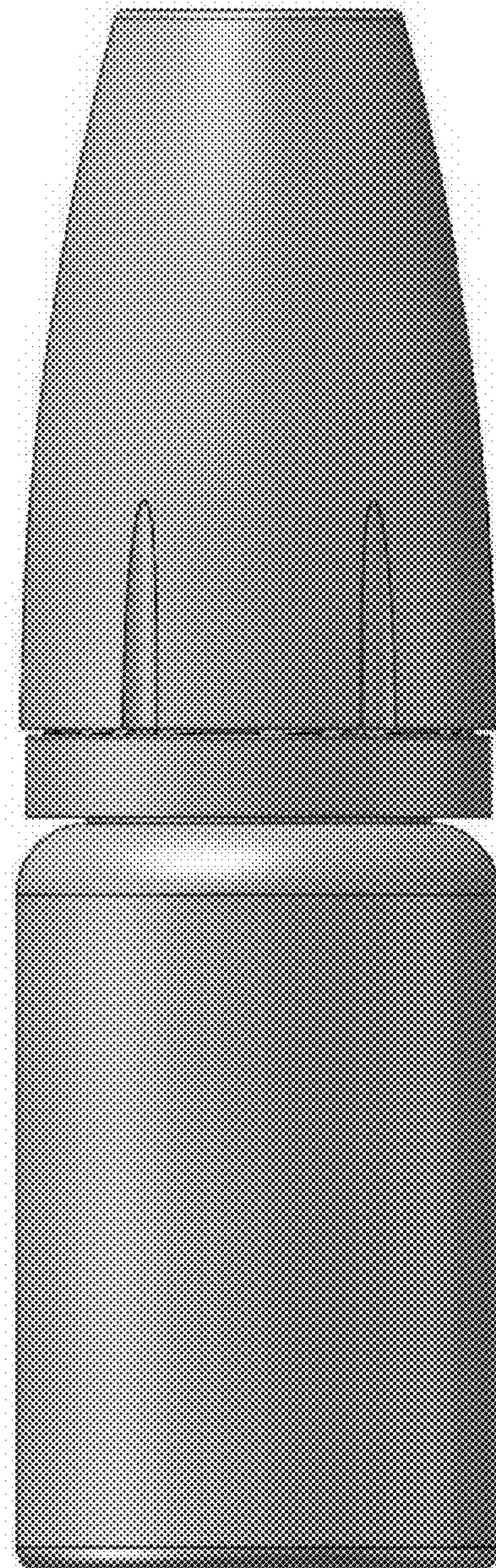
D674,291	S *	1/2013	Py	D9/738
D697,412	S *	1/2014	Jenkins	D9/445
D768,506	S *	10/2016	Hua	D9/724
D802,430	S *	11/2017	Shinoda	D9/539
D844,440	S *	4/2019	Allen, III	D9/504
D844,441	S *	4/2019	DeMarco	D9/504
D859,915	S *	9/2019	Beckerman	D7/398
D859,990	S *	9/2019	Neset	D9/504
D878,215	S *	3/2020	Aboabdo	D9/723
D886,610	S *	6/2020	Aboabdo	D9/503
D886,633	S *	6/2020	Han	D9/724
D886,635	S *	6/2020	Kilduff	D9/726
D889,278	S *	7/2020	Tempfli	D9/724
2014/0284299	A1 *	9/2014	Barber	B65D 50/046 215/44

* cited by examiner

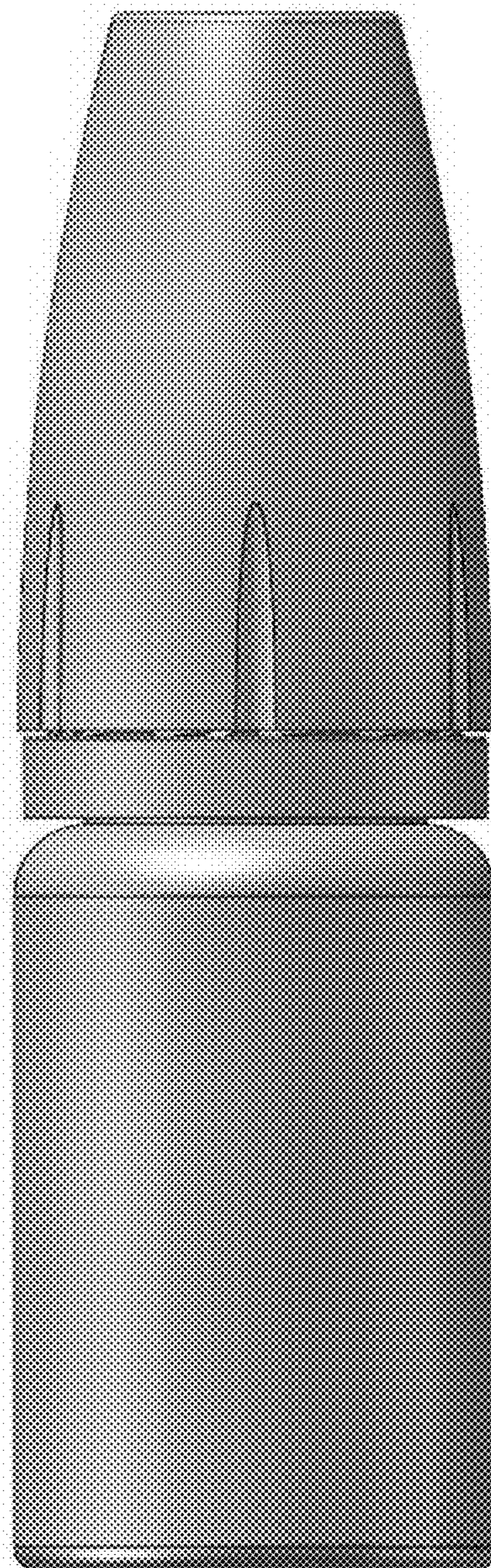
1.1



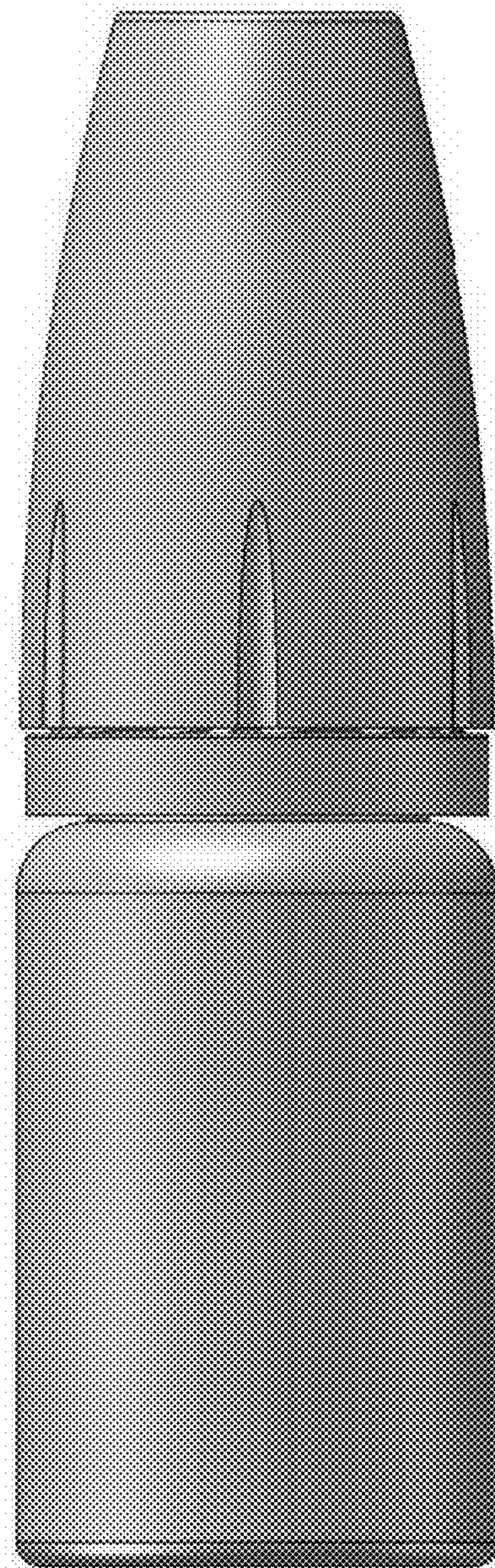
1.2



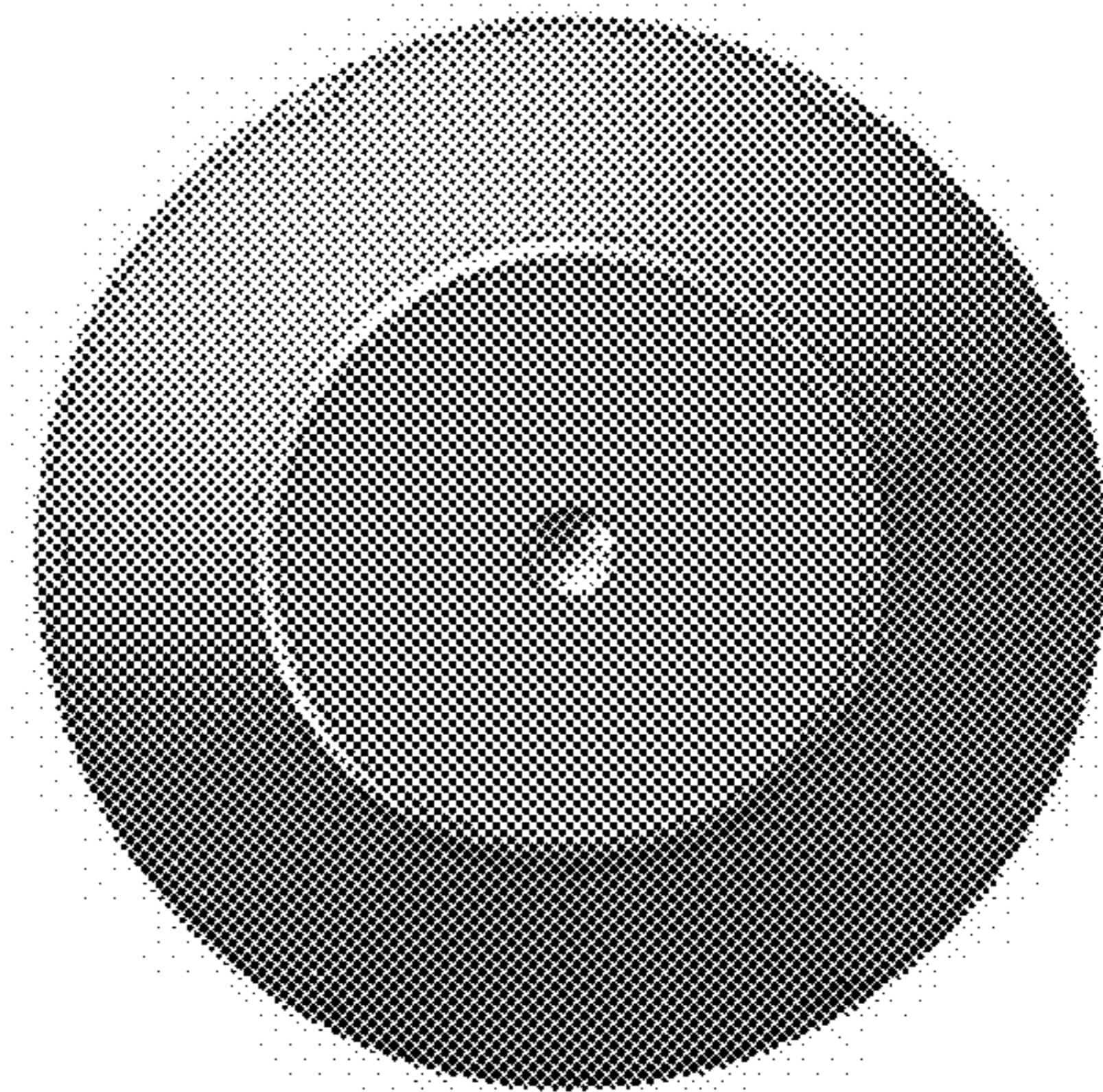
1.3



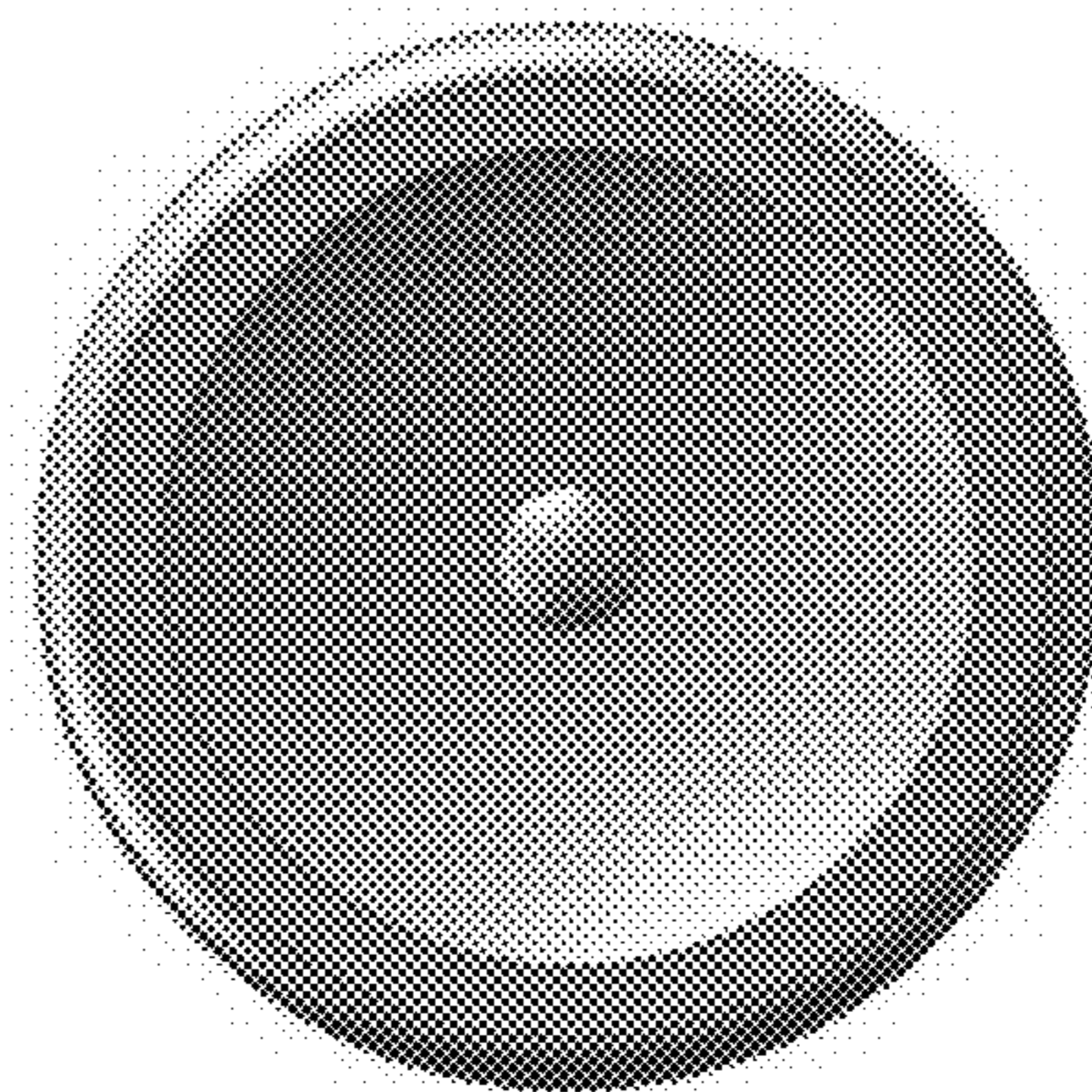
1.4



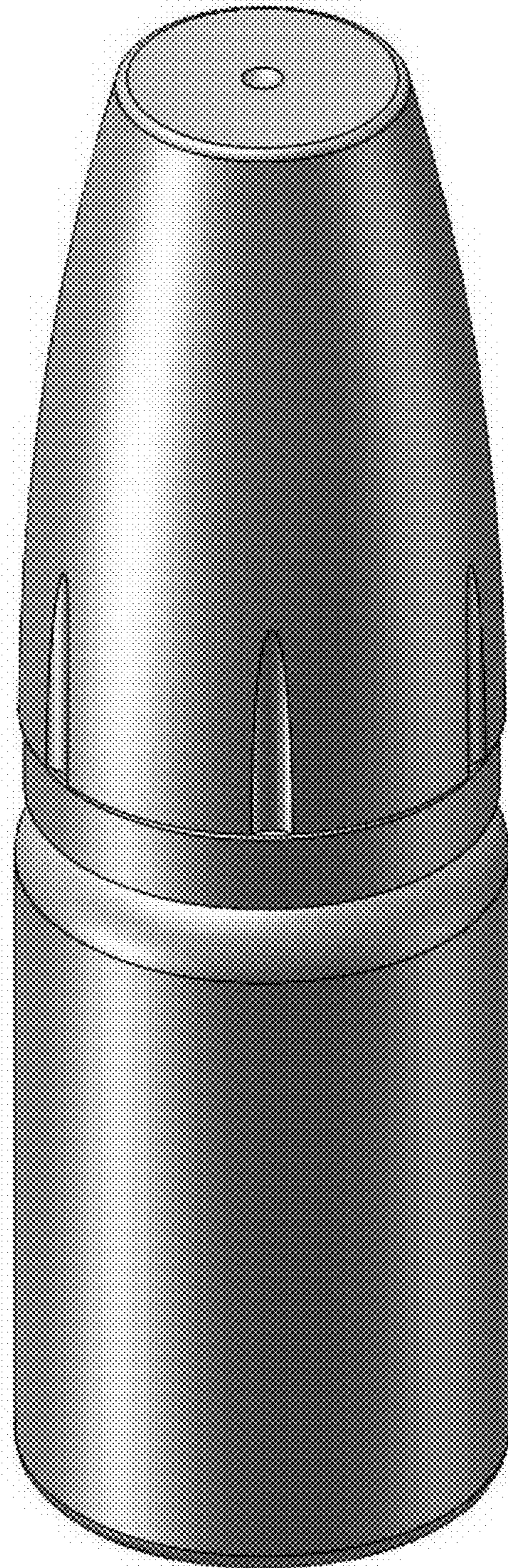
1.5



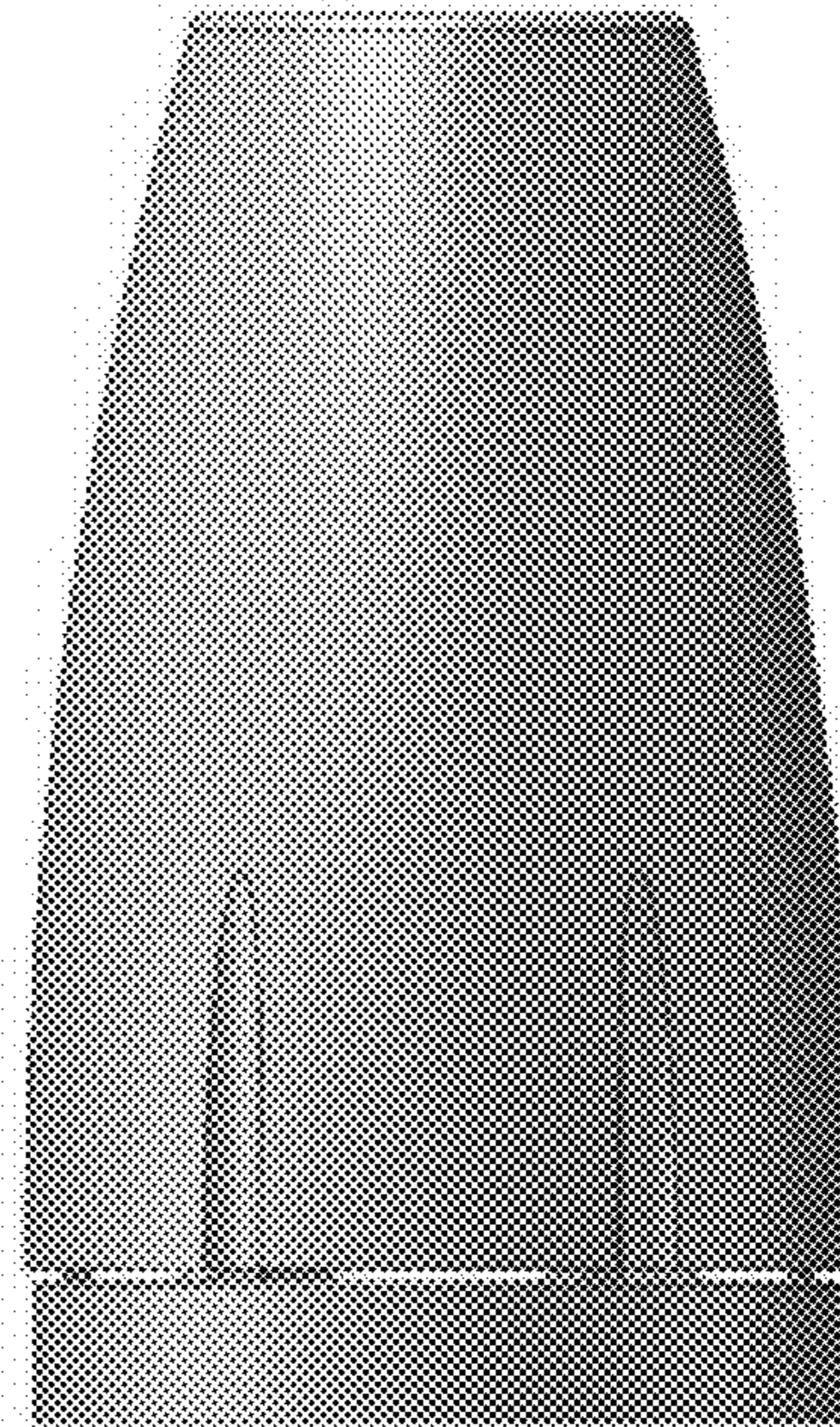
1.6



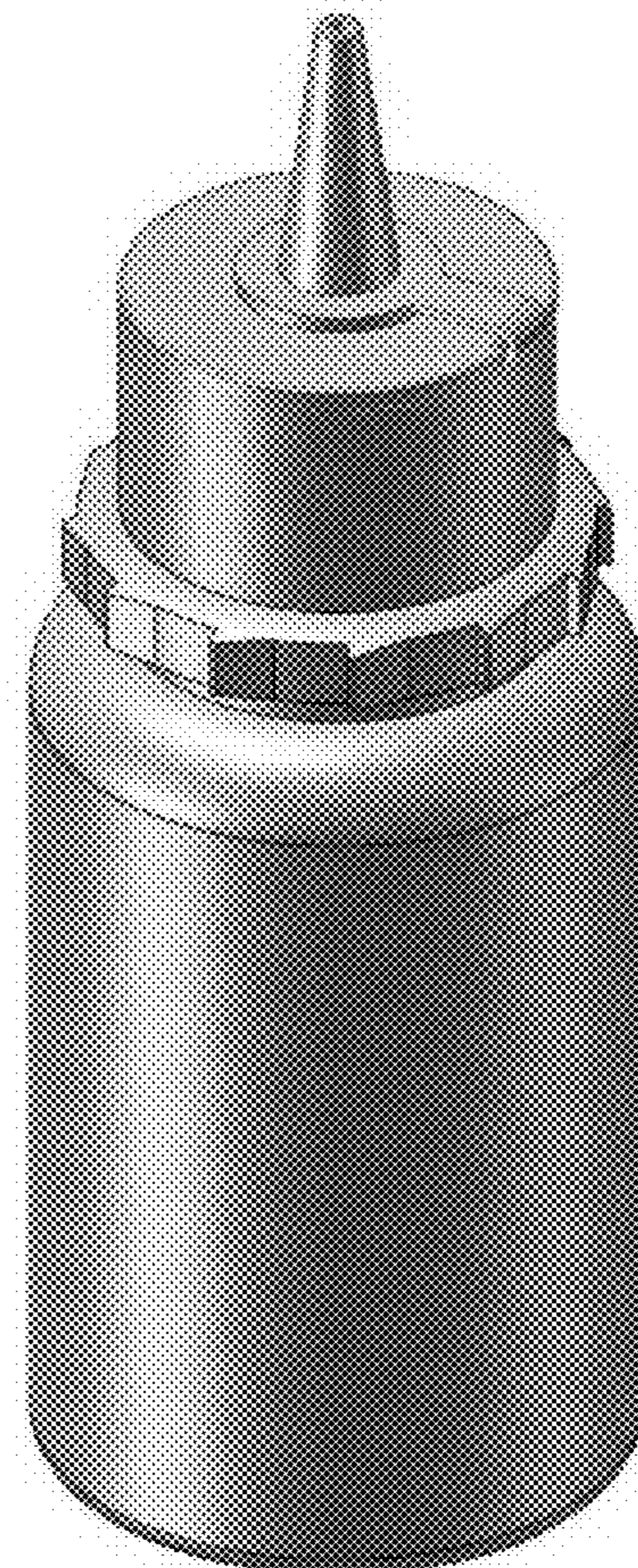
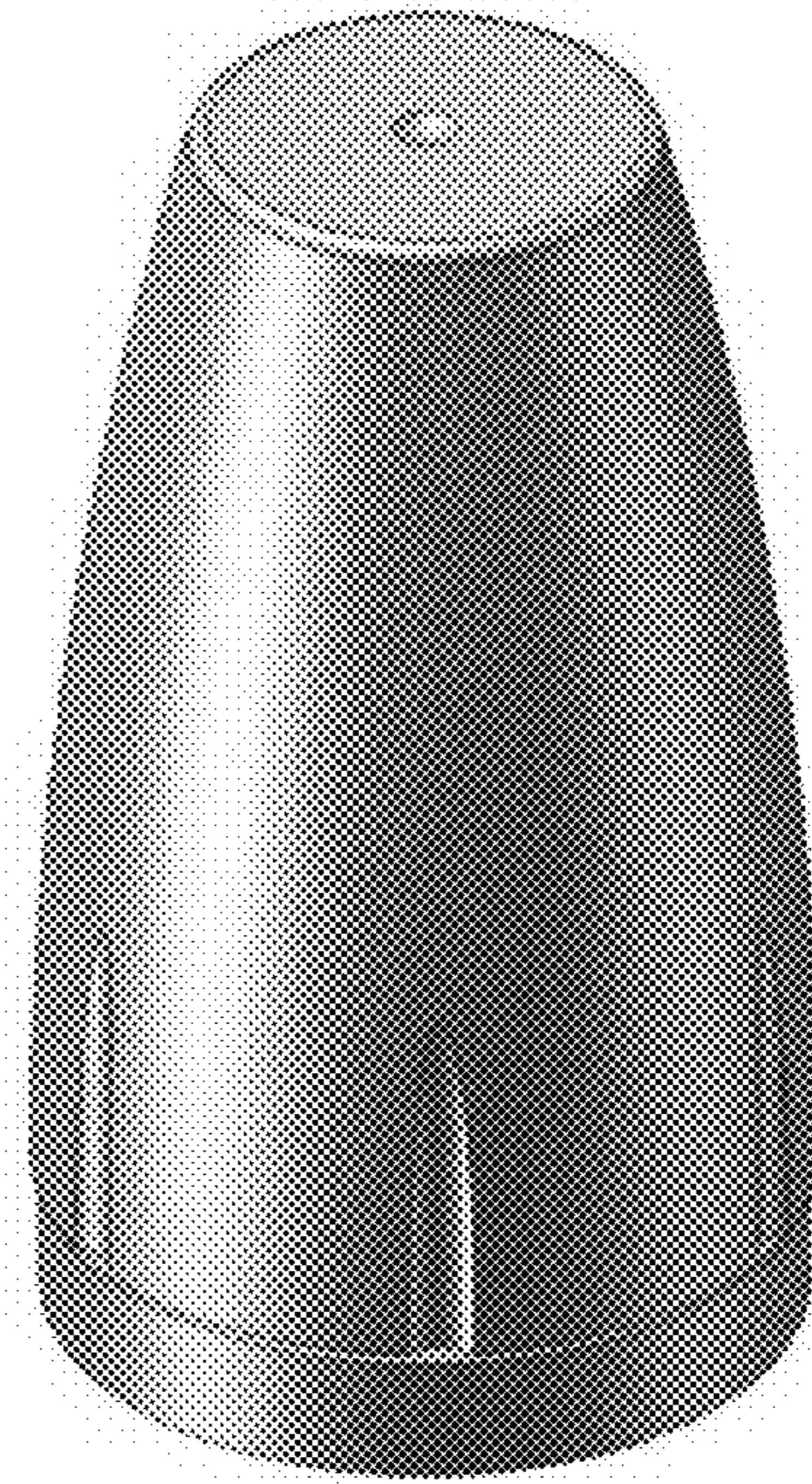
1.7



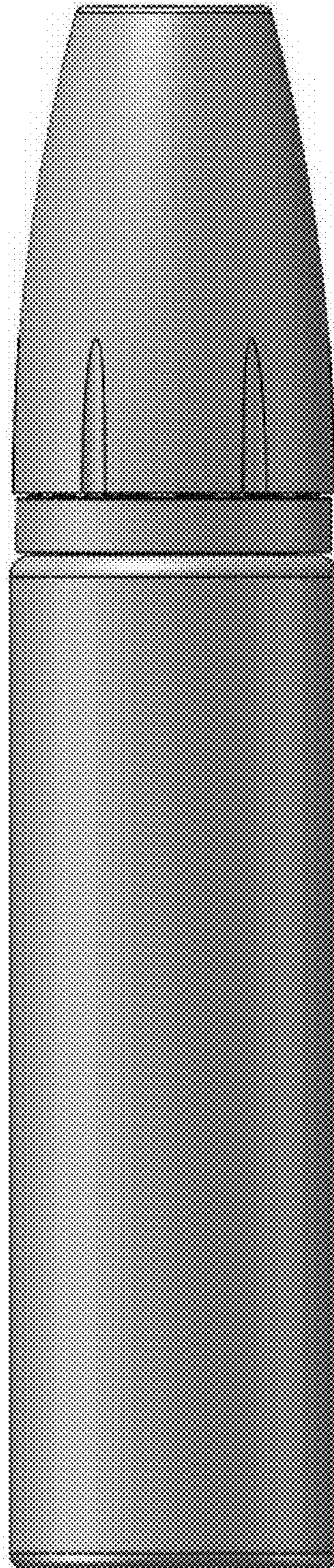
1.8



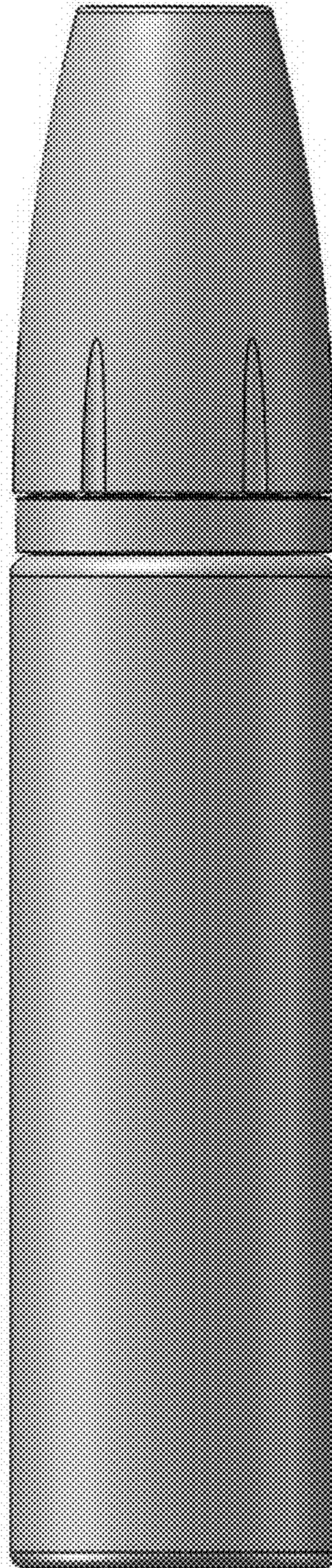
1.9



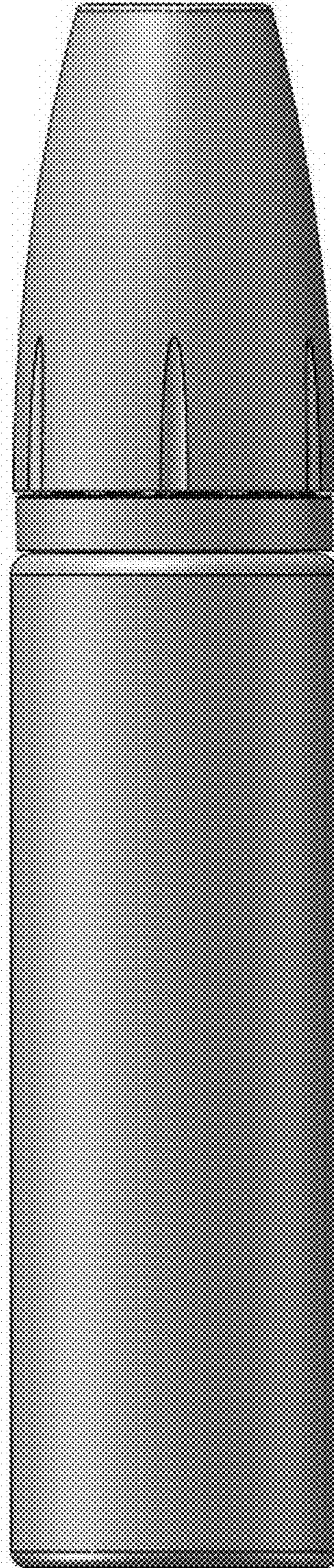
2.1



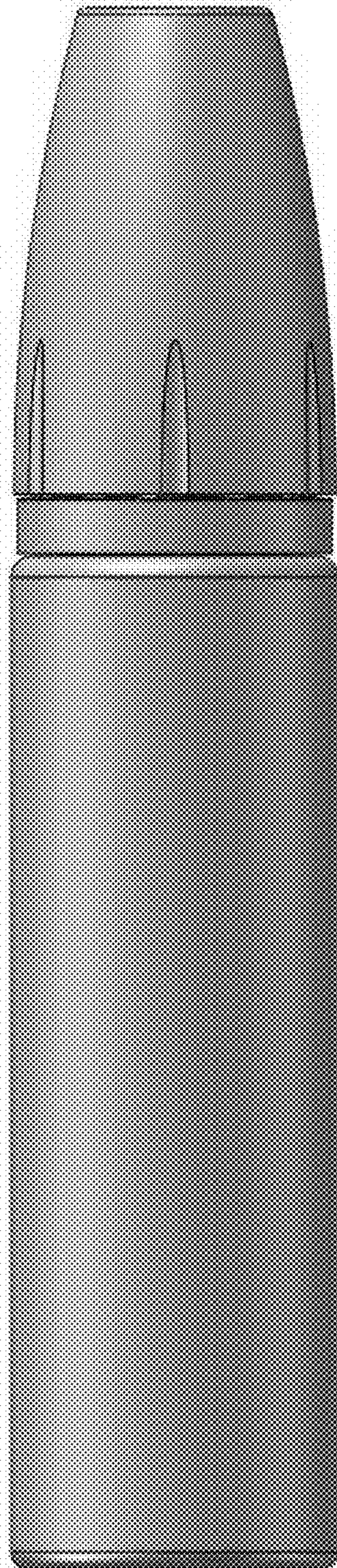
2.2



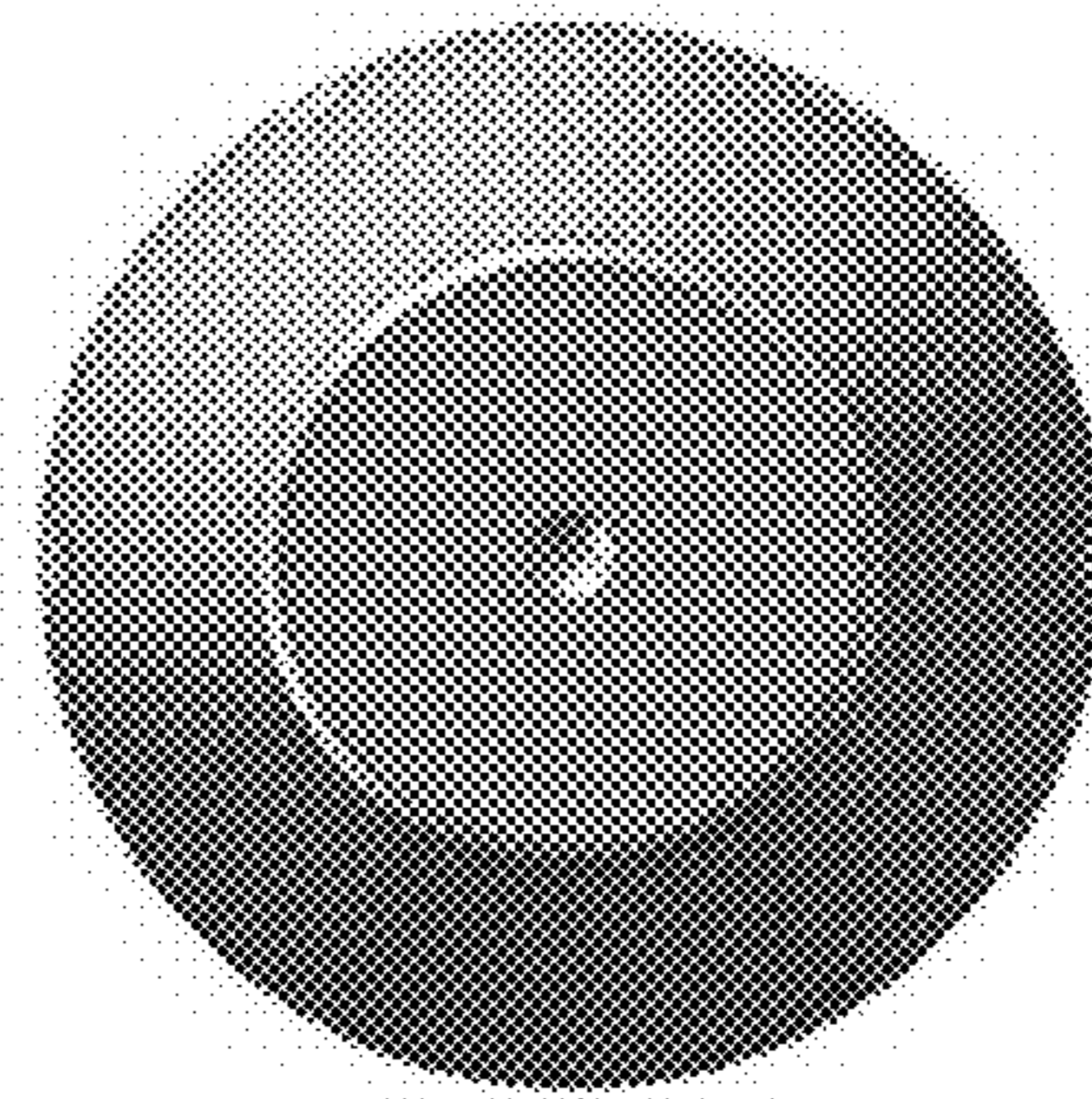
2.3



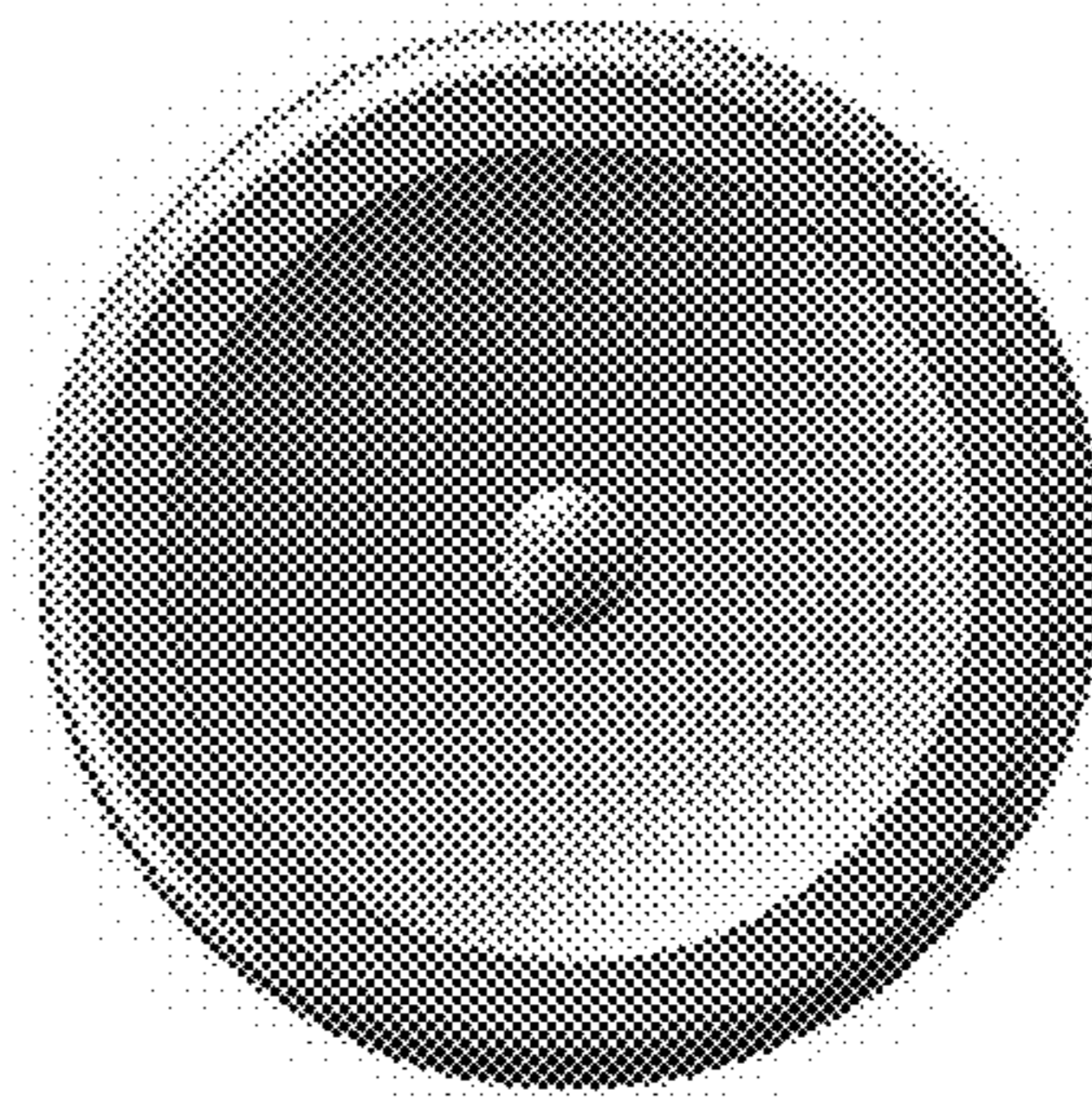
2.4



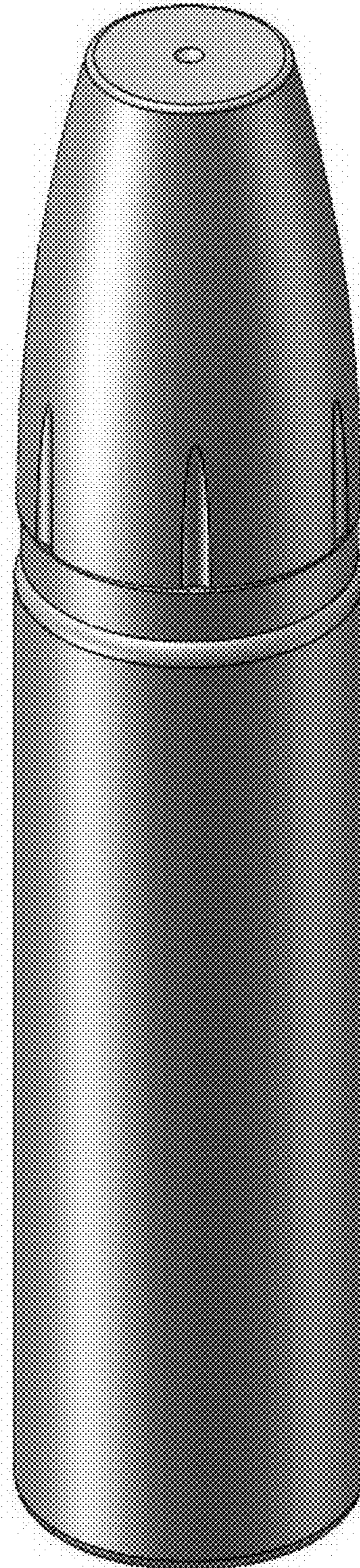
2.5



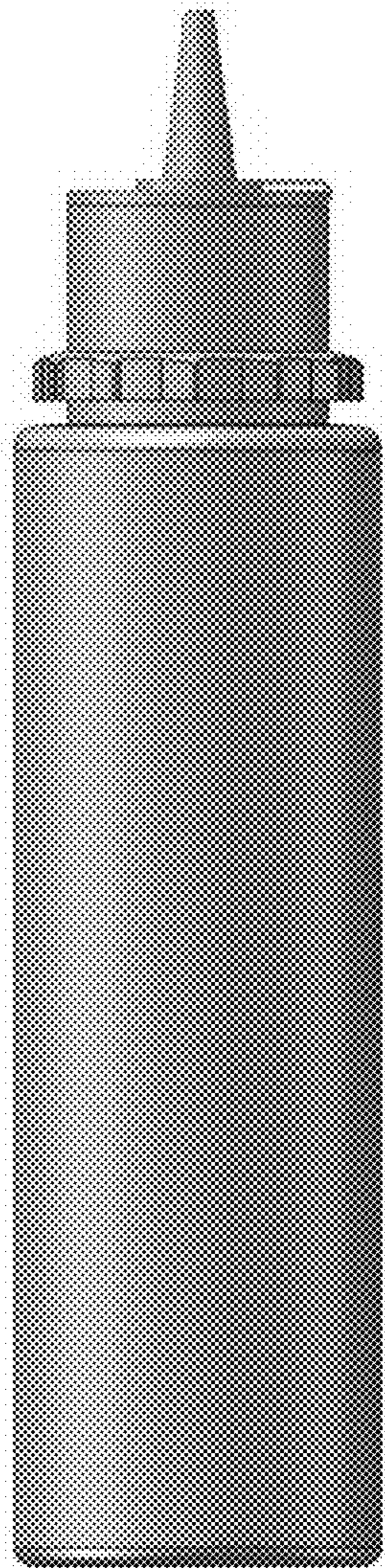
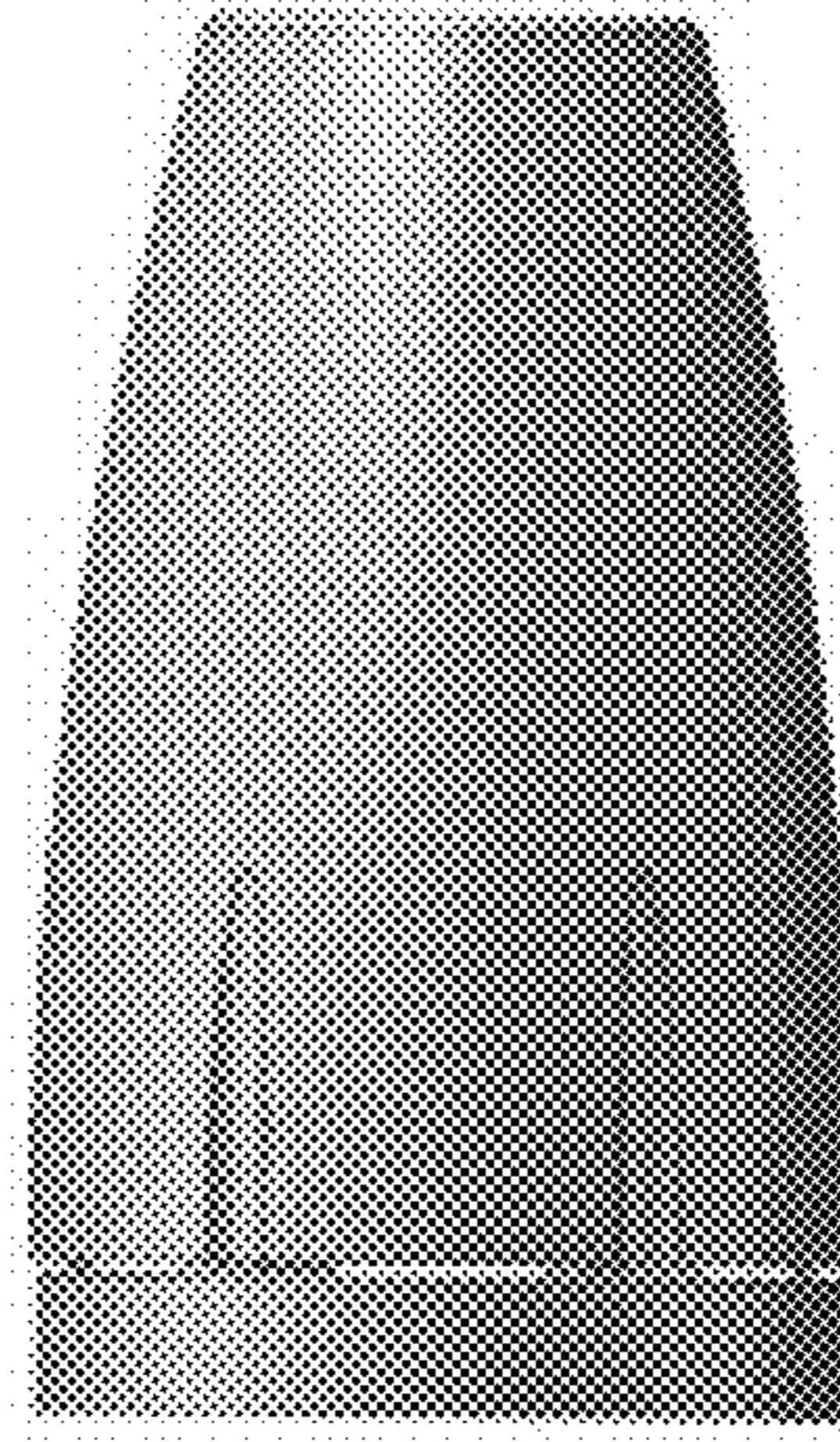
2.6



2.7



2.8



3.1



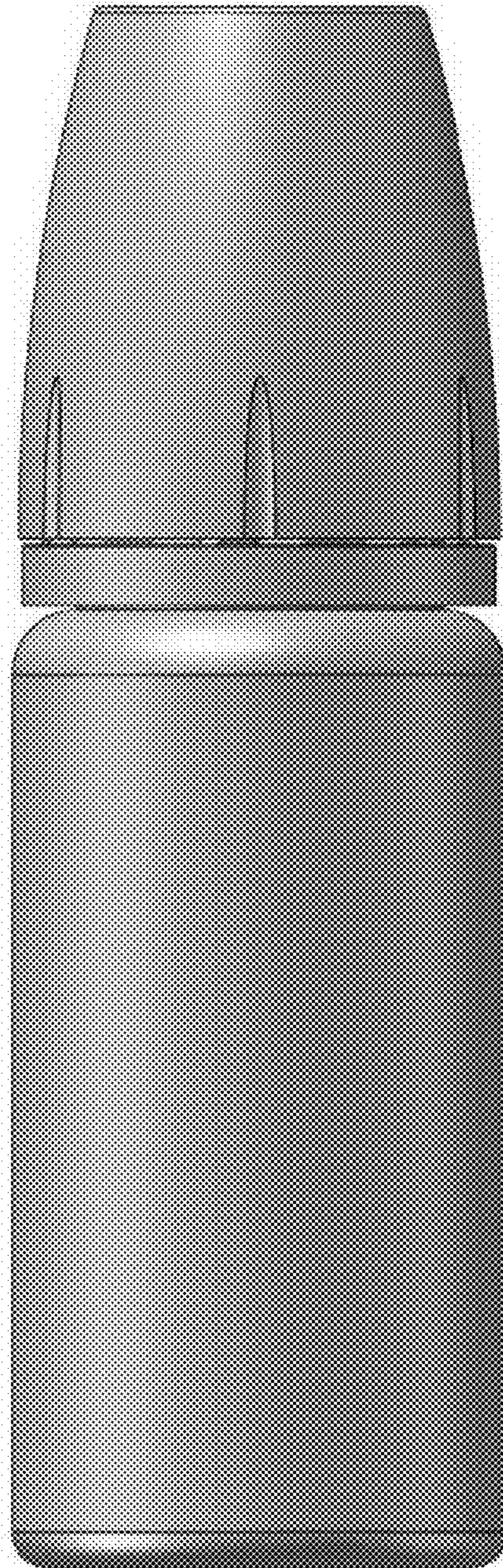
3.2



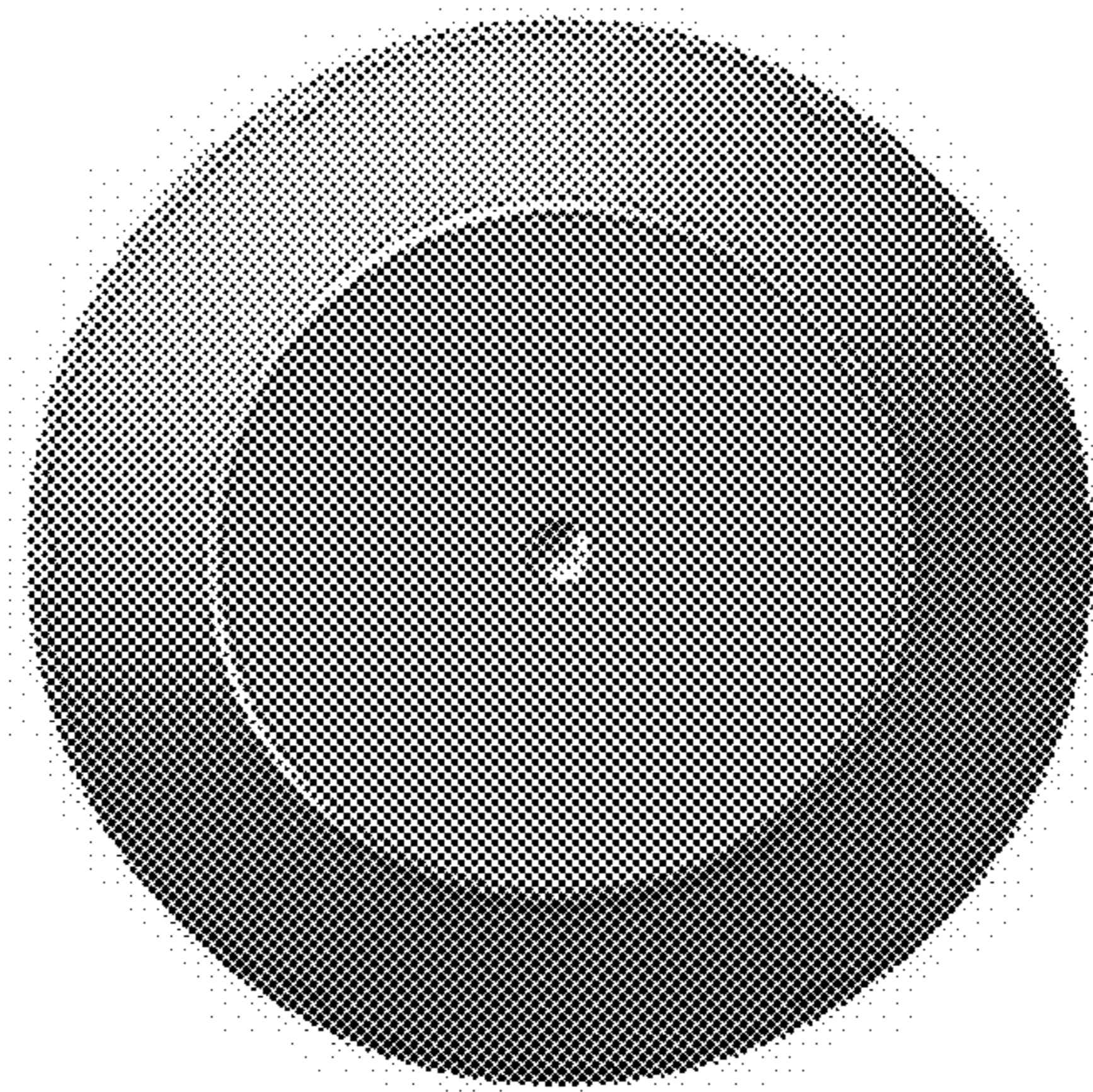
3.3



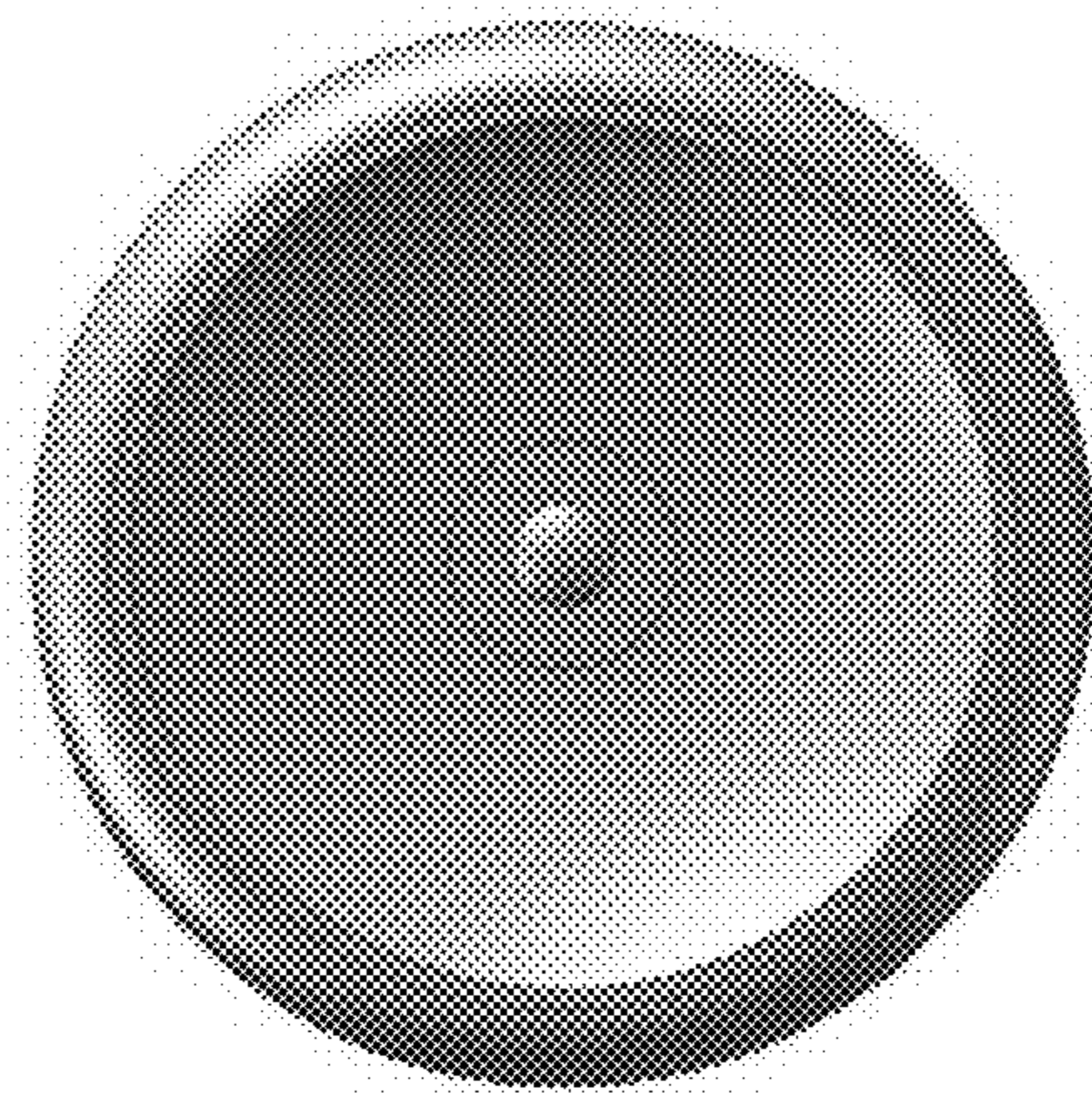
3.4



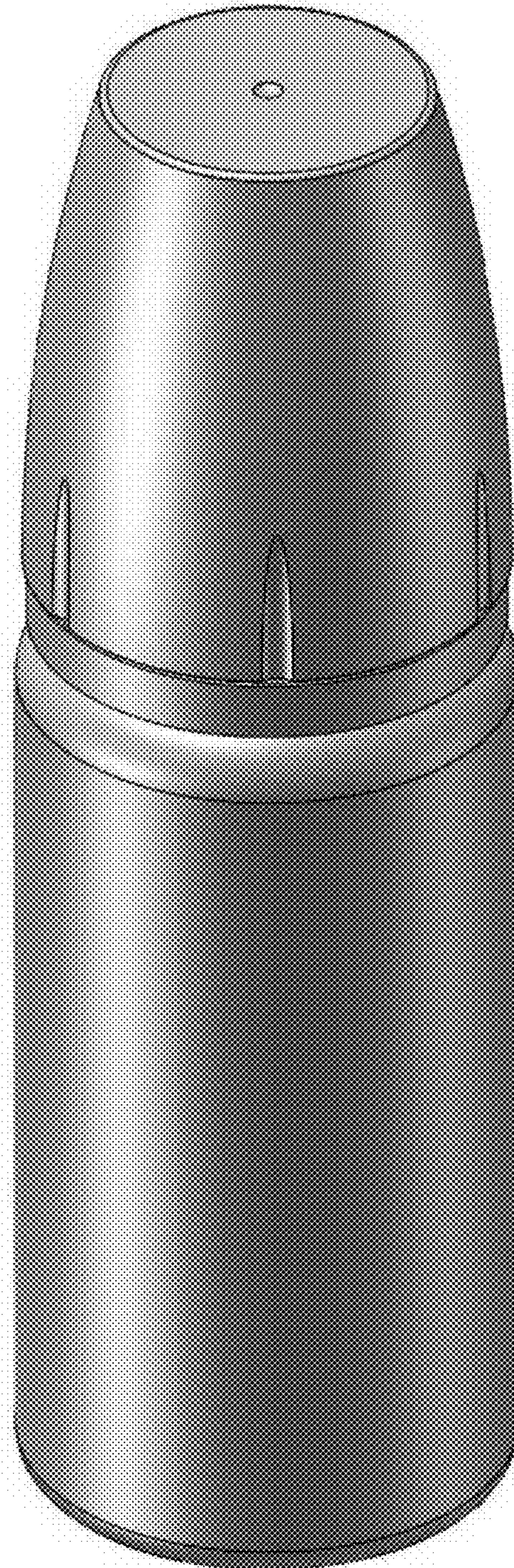
3.5



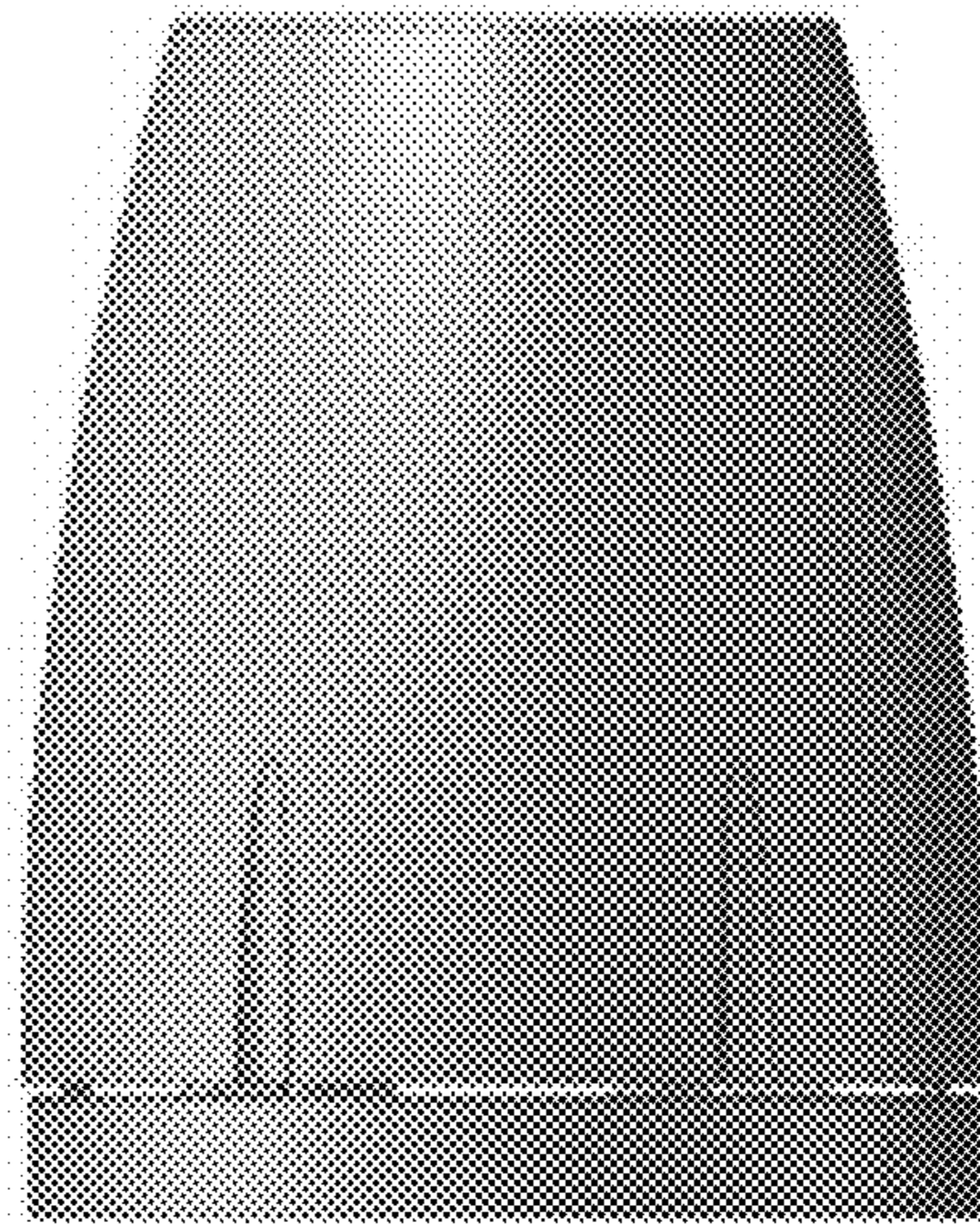
3.6



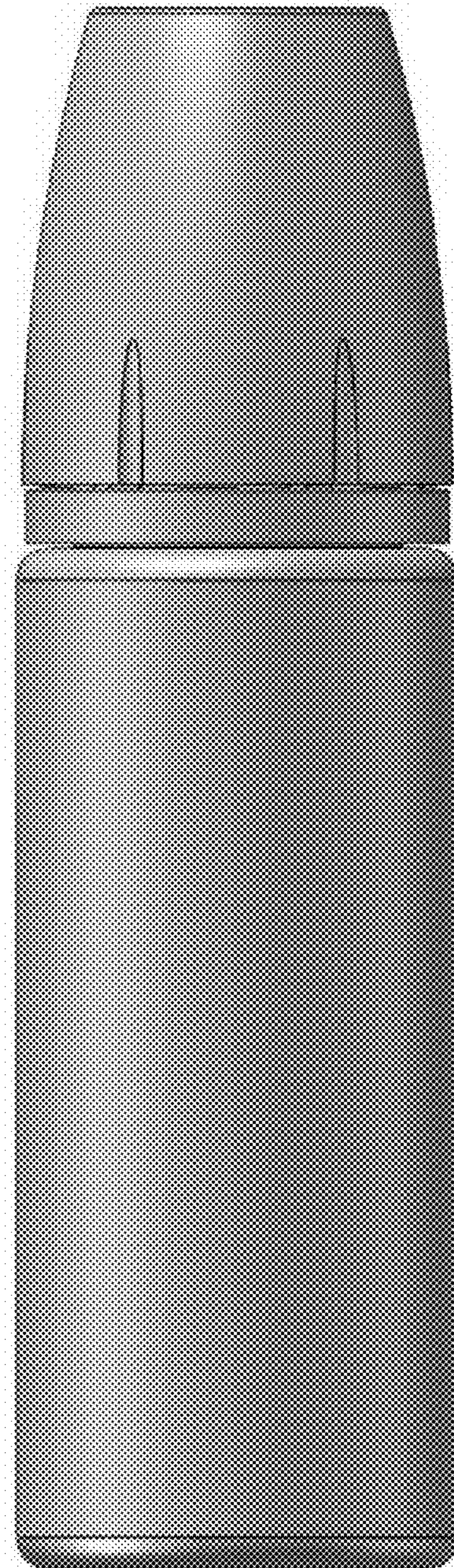
3.7



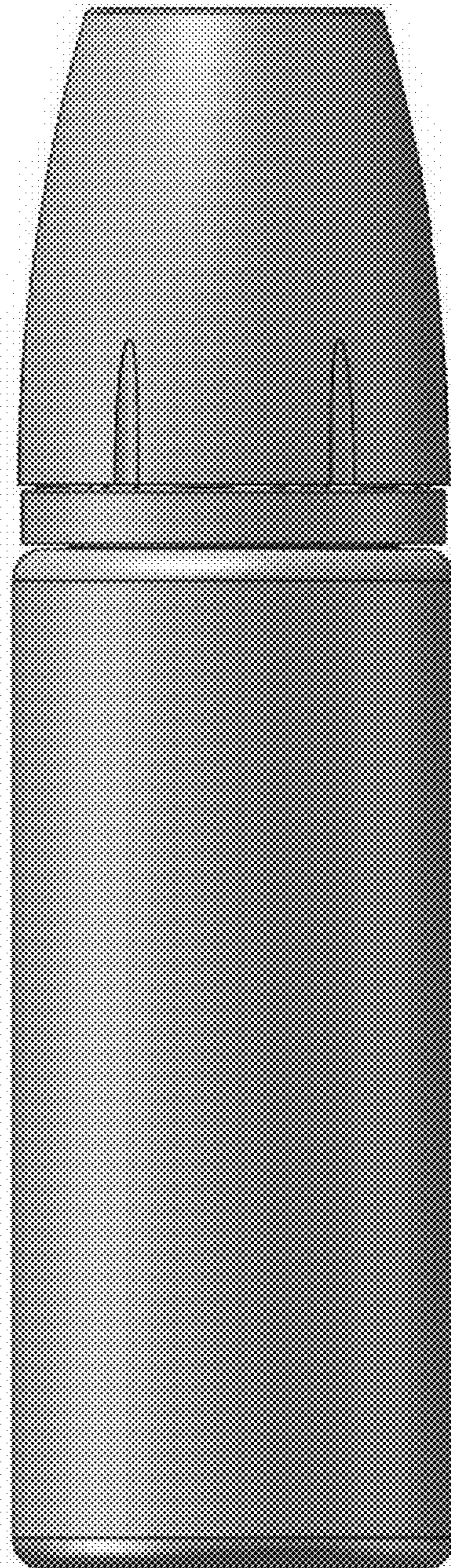
3.8



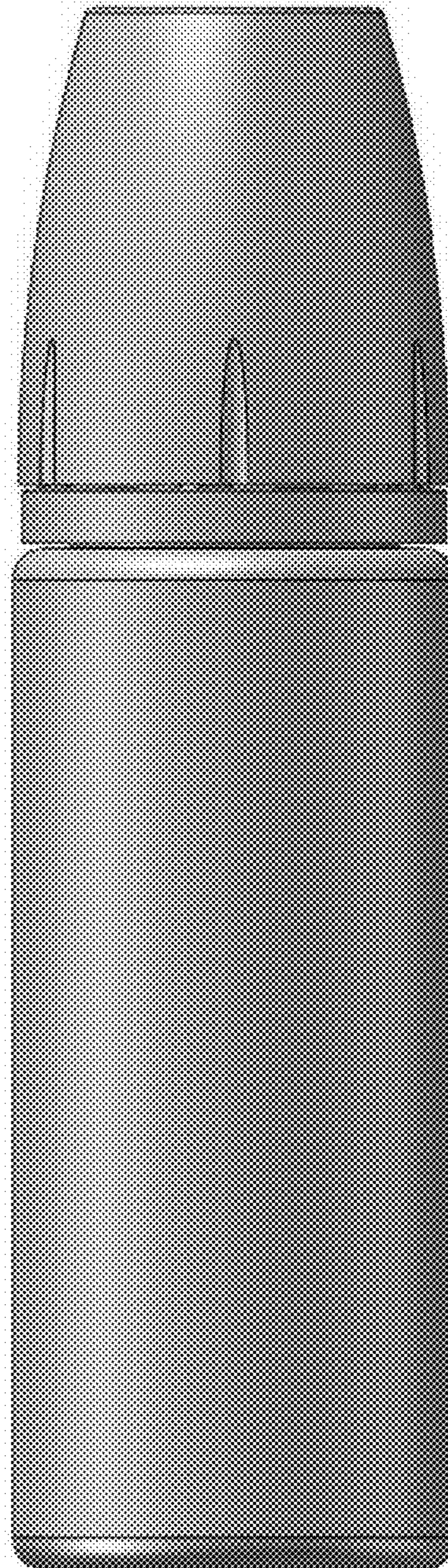
4.1



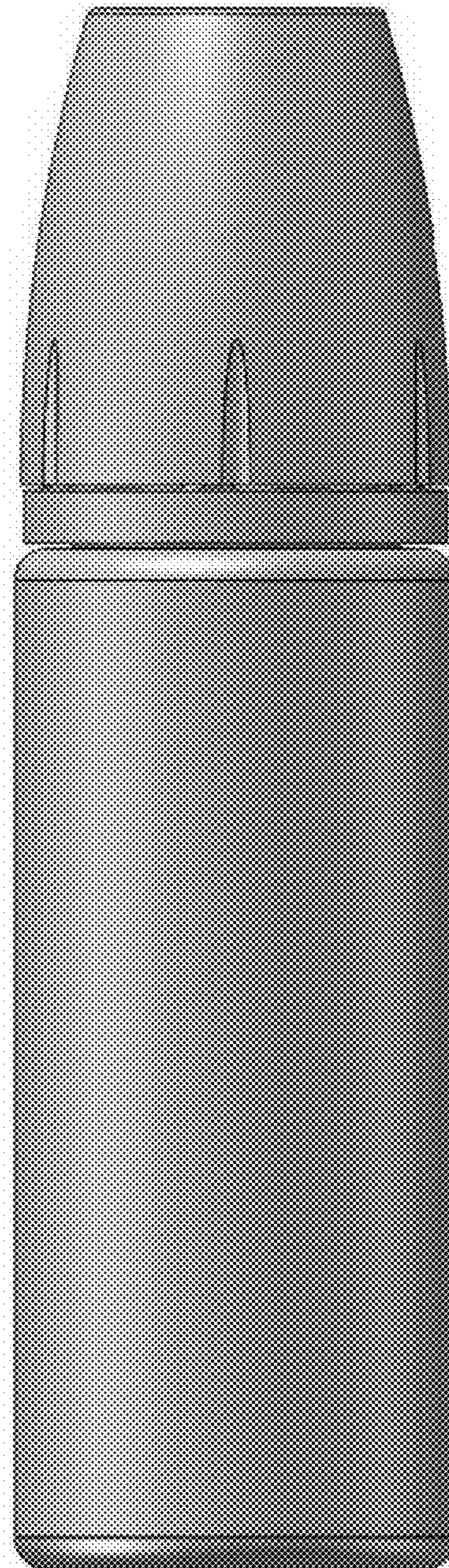
4.2



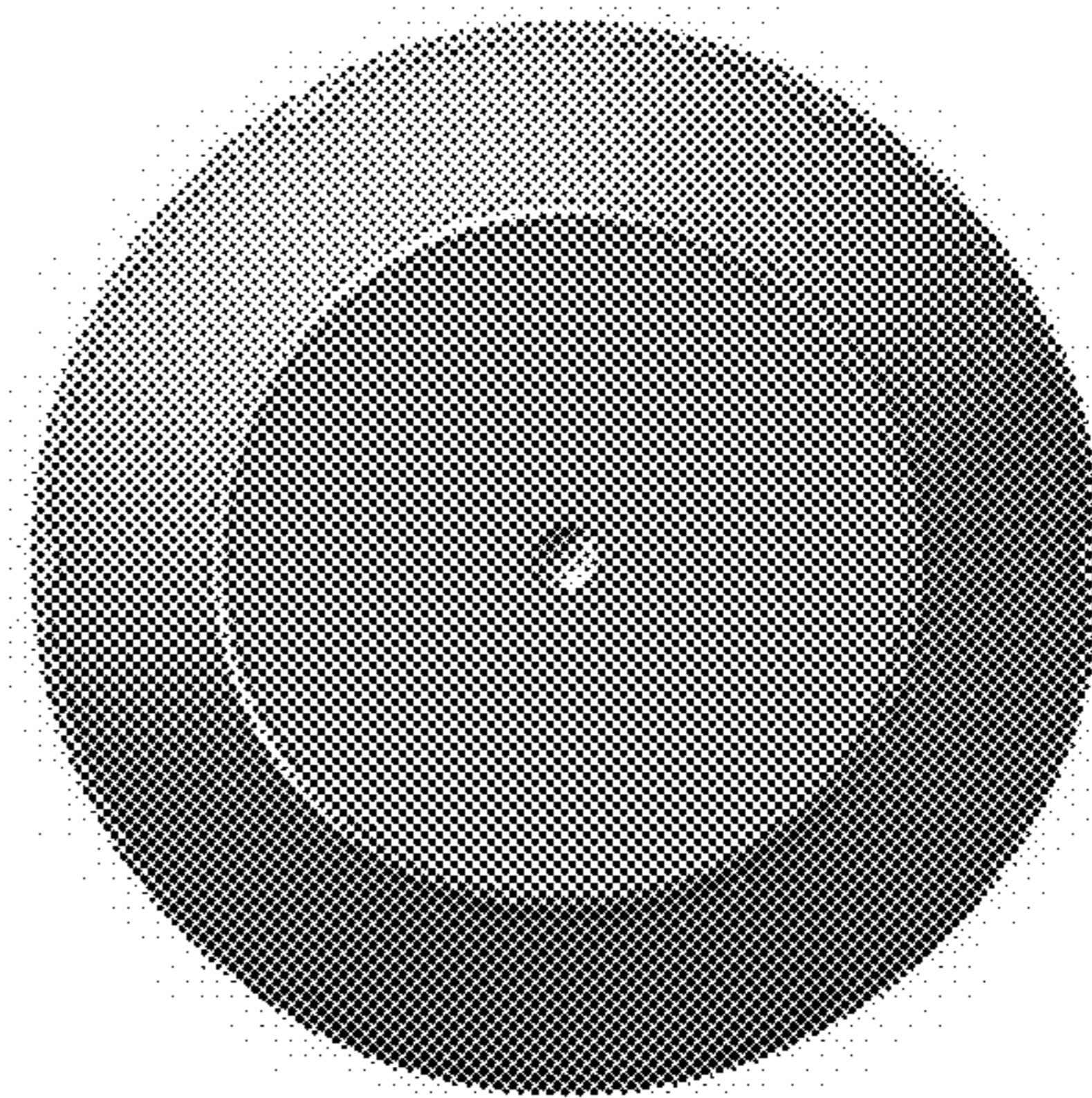
4.3



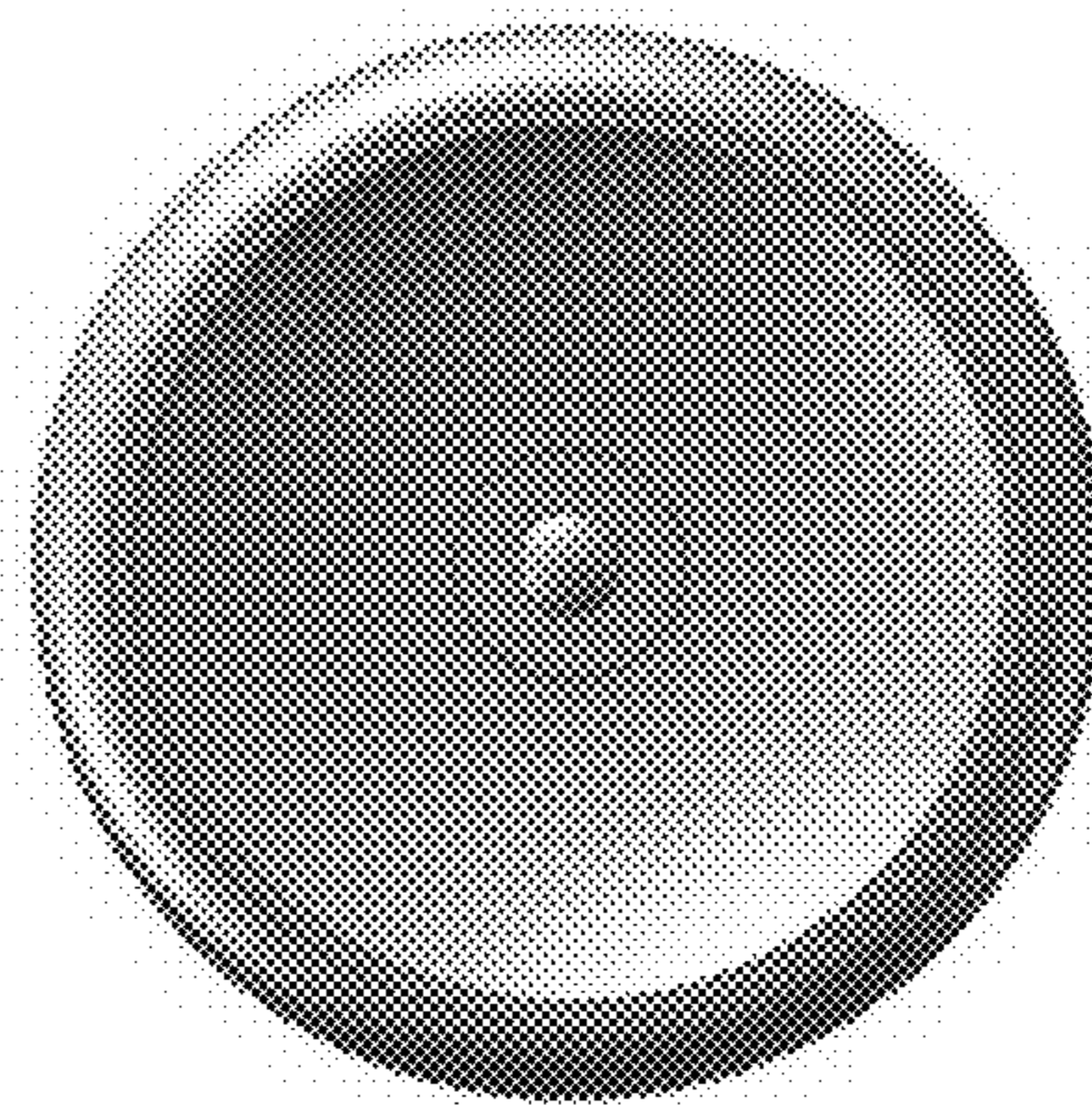
4.4



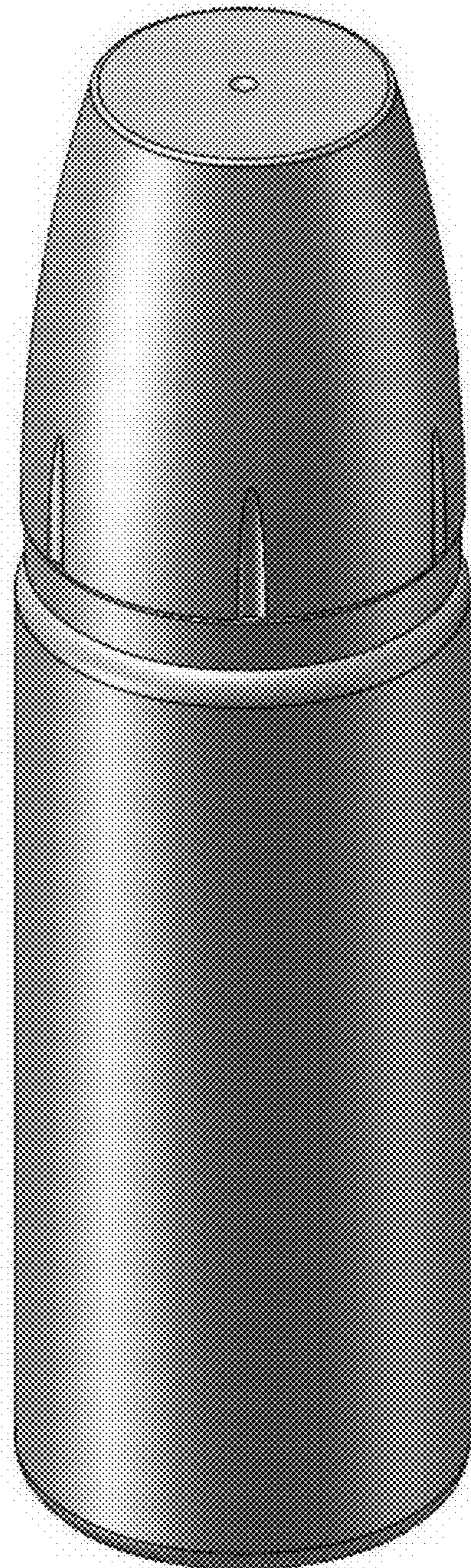
4.5



4.6



4.7



4.8

