



US00D904898S

(12) **United States Design Patent** (10) **Patent No.:** **US D904,898 S**
Austin (45) **Date of Patent:** **** Dec. 15, 2020**

(54) **POUCH FOR LIQUIDS**

(56) **References Cited**

(71) Applicant: **EVPOUCH LLC**, Clearwater, FL (US)

U.S. PATENT DOCUMENTS

(72) Inventor: **Grayson C. Austin**, Clearwater, FL (US)

D548,613 S *	8/2007	Miller	D9/710
D682,117 S *	5/2013	Murray	D9/710
D700,846 S *	3/2014	Lamartina, IV	D9/708
D764,945 S *	8/2016	Lemaire	D9/710
D845,777 S *	4/2019	Faillant Dumas	D9/522
D873,152 S *	1/2020	Guerizec	D9/708
D881,705 S *	4/2020	Jack	D9/522

(73) Assignee: **EVPOUCH LLC**, Clearwater, FL (US)

(**) Term: **15 Years**

* cited by examiner

(21) Appl. No.: **29/692,306**

Primary Examiner — Abraham Bahta

(22) Filed: **May 24, 2019**

(74) *Attorney, Agent, or Firm* — Larson & Larson, P.A.; Frank Liebenow; Justin P. Miller

(51) **LOC (12) Cl.** **09-05**

(52) **U.S. Cl.**
USPC **D9/705**; D9/516

(57) **CLAIM**

The ornamental design for a pouch for liquids, as shown and described.

(58) **Field of Classification Search**

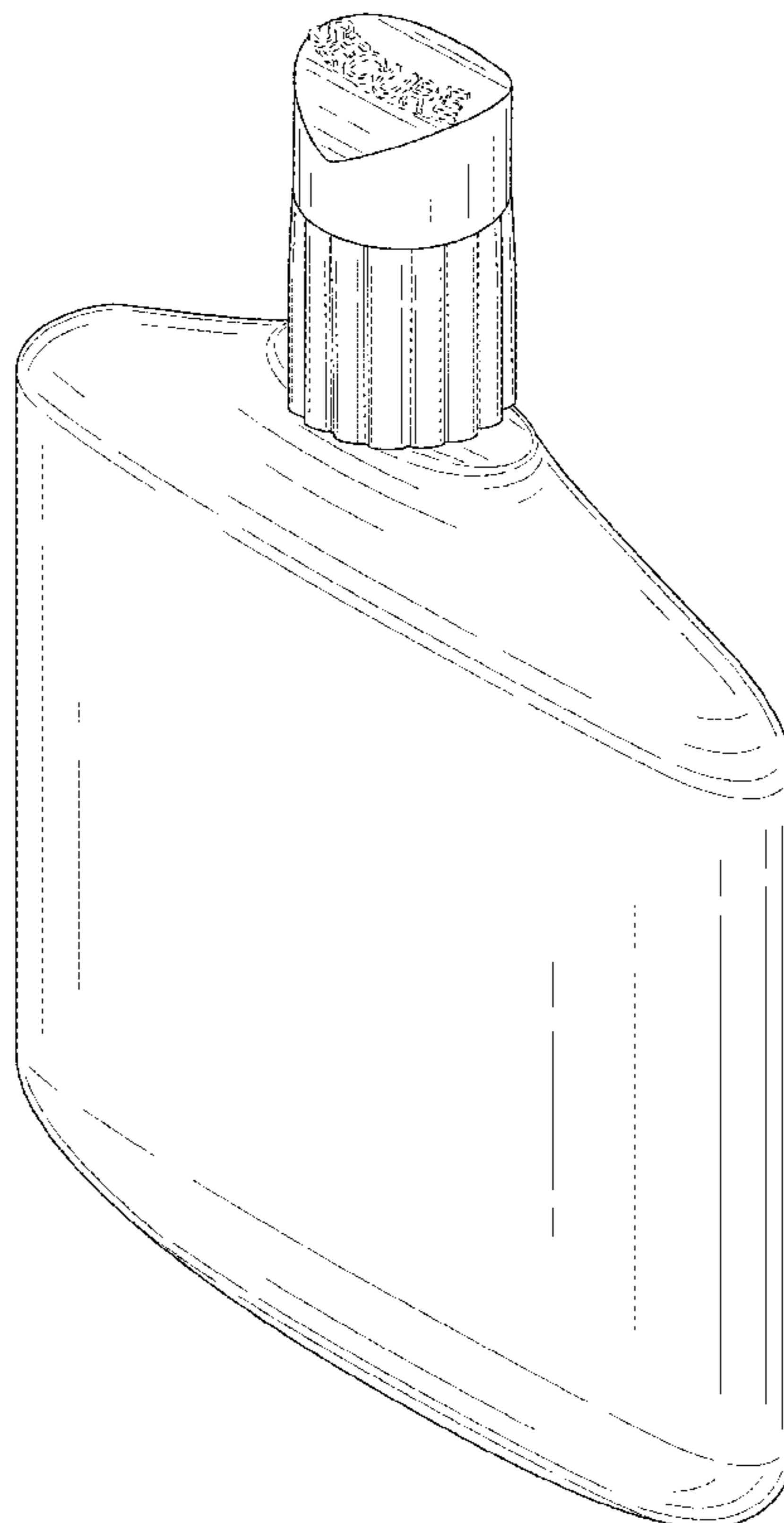
DESCRIPTION

USPC D9/702-714, 443, 447, 499, 516-517, D9/523-524, 526-528, 530, 719, 572; 222/92, 210, 212, 215; D23/211.1, 212; 220/200, 260, 288, 768, 901; 206/815; 215/200, 217-218, 382-385, 396, 371; D7/312, 321; 383/61.1, 80-81, 104, 901, 383/8, 109, 111, 122, 127, 207, 94, 107; 428/35.2; 229/87.01-87.09, 87.11-87.19
CPC . B65D 1/00; B65D 1/02; B65D 1/023; B65D 1/32; B65D 11/00; B65D 11/04; B65D 35/08; B65D 35/00; B65D 33/02; B65D 33/04; B65D 33/24; A61J 1/10; A61J 1/47; A61J 9/001

FIG. 1 is a perspective view of a pouch for liquids showing my new design;
FIG. 2 is a front elevation view thereof;
FIG. 3 is a rear elevation view thereof;
FIG. 4 is a left elevation view thereof;
FIG. 5 is a right elevation view thereof;
FIG. 6 is a top plan view thereof; and,
FIG. 7 is a bottom plan view thereof.
The broken lines illustrate lettering in FIGS. 1-6 of the pouch for liquids that form no part of the claimed design.

See application file for complete search history.

1 Claim, 5 Drawing Sheets



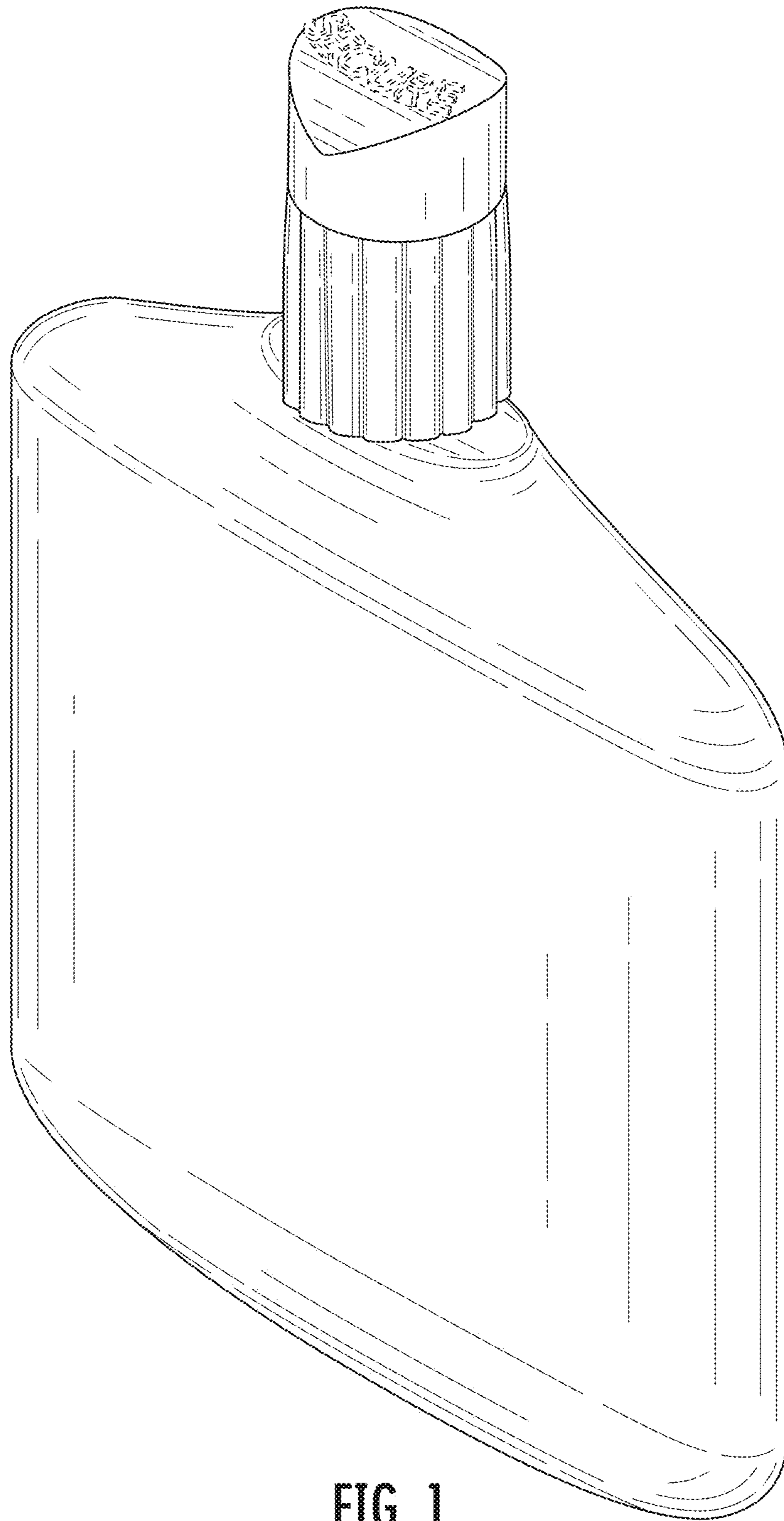


FIG. 1



FIG. 2



FIG. 3

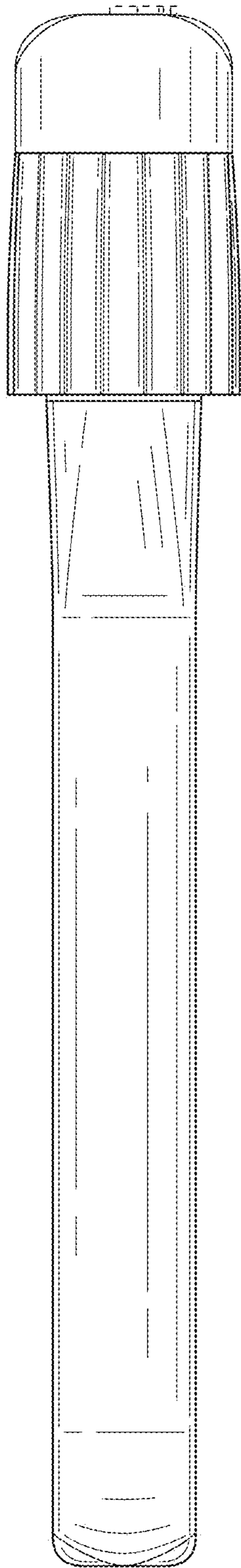


FIG. 4

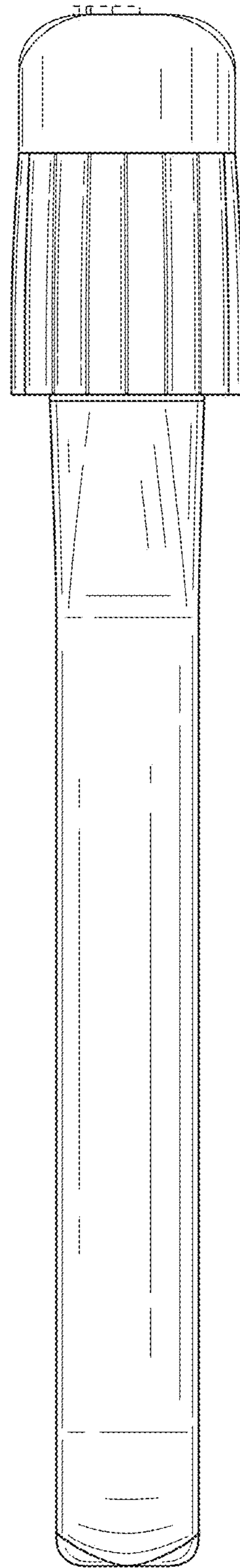


FIG. 5

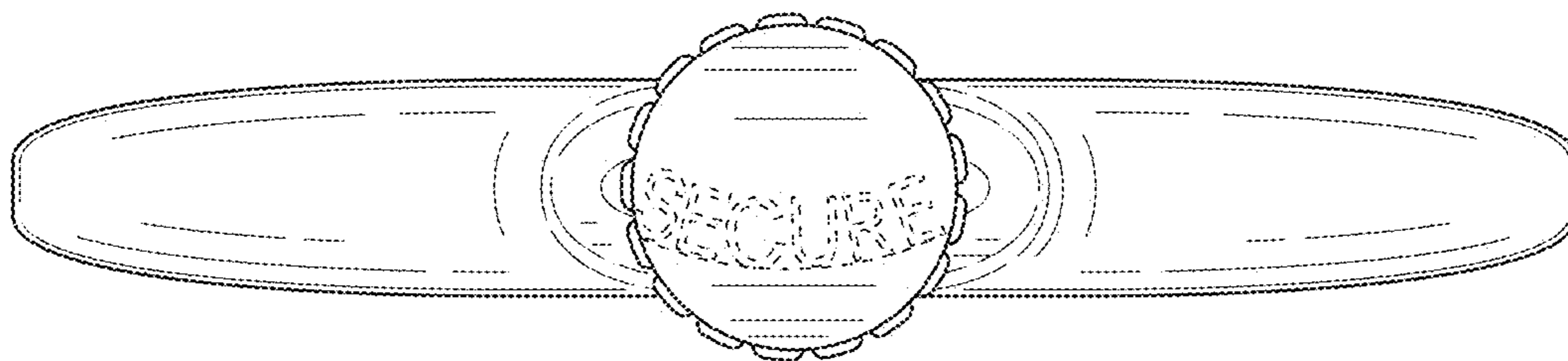


FIG. 6

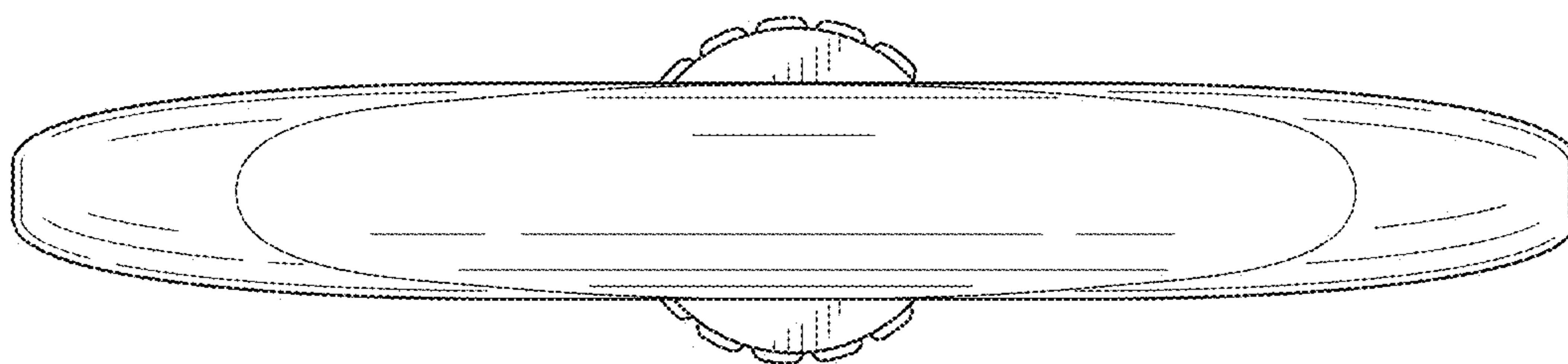


FIG. 7