



US00D904892S

(12) **United States Design Patent** (10) **Patent No.:** **US D904,892 S**  
**Le Henry** (45) **Date of Patent:** **\*\* Dec. 15, 2020**

(54) **PERFUME BOTTLE**  
(71) Applicant: **LVMH FRAGRANCE BRANDS,**  
Levallois-Perret (FR)  
(72) Inventor: **Alban Le Henry,** Paris (FR)  
(73) Assignee: **LVMH FRAGRANCE BRANDS,**  
Levallois Perret (FR)  
(\*\*) Term: **15 Years**  
(21) Appl. No.: **35/507,056**  
(22) Filed: **Mar. 25, 2019**

D682,706 S \* 5/2013 Weil ..... D9/560  
D704,065 S \* 5/2014 de Lima Paschoal ..... D28/76  
D705,074 S \* 5/2014 Della Valle ..... D9/560  
D705,663 S \* 5/2014 Guichot ..... D9/544  
D712,746 S \* 9/2014 Widdison ..... D9/529  
D714,157 S \* 9/2014 Albertini ..... D9/560  
D741,720 S \* 10/2015 Anandani ..... D9/560  
D744,167 S \* 11/2015 Chertoff ..... D28/85  
D757,564 S \* 5/2016 Santos ..... D9/694  
D786,081 S \* 5/2017 Albertini ..... D28/85  
D796,964 S \* 9/2017 Staab ..... D9/520  
D808,280 S \* 1/2018 Nagata ..... D9/560  
D820,104 S \* 6/2018 Miller ..... D9/560  
D831,495 S \* 10/2018 Papiernik-Berkhauer ..... D9/560

(Continued)

(80) **Hague Agreement Data**  
Int. Filing Date: **Mar. 25, 2019**  
Int. Reg. No.: **DM/201824**  
Int. Reg. Date: **Mar. 25, 2019**  
Int. Reg. Pub. Date: **Jul. 12, 2019**  
(30) **Foreign Application Priority Data**  
Oct. 3, 2018 (EM) ..... 005724515-0001  
(51) **LOC (12) Cl.** ..... **09-01**  
(52) **U.S. Cl.**  
USPC ..... **D9/560**  
(58) **Field of Classification Search**  
USPC ..... D9/529, 544, 546, 553, 559, 560, 566,  
D9/572, 575, 686, 694; D28/91.1  
CPC ..... B65D 1/0223; B65D 2501/0081  
See application file for complete search history.

(56) **References Cited**  
U.S. PATENT DOCUMENTS  
D364,348 S \* 11/1995 Sgariboldi ..... D9/544  
D639,669 S \* 6/2011 Adler ..... D9/435  
D644,108 S \* 8/2011 Vila Calvo ..... D9/529  
D675,104 S \* 1/2013 Chen ..... D9/687  
D678,074 S \* 3/2013 De France ..... D9/435

**OTHER PUBLICATIONS**

Lily Kitten. Designer Fragrance without the Designer Price Tag. Jun. 6, 2019. <http://www.lilykitten.com/divain-perfume-similar-fragrances/> (Year: 2019).\*

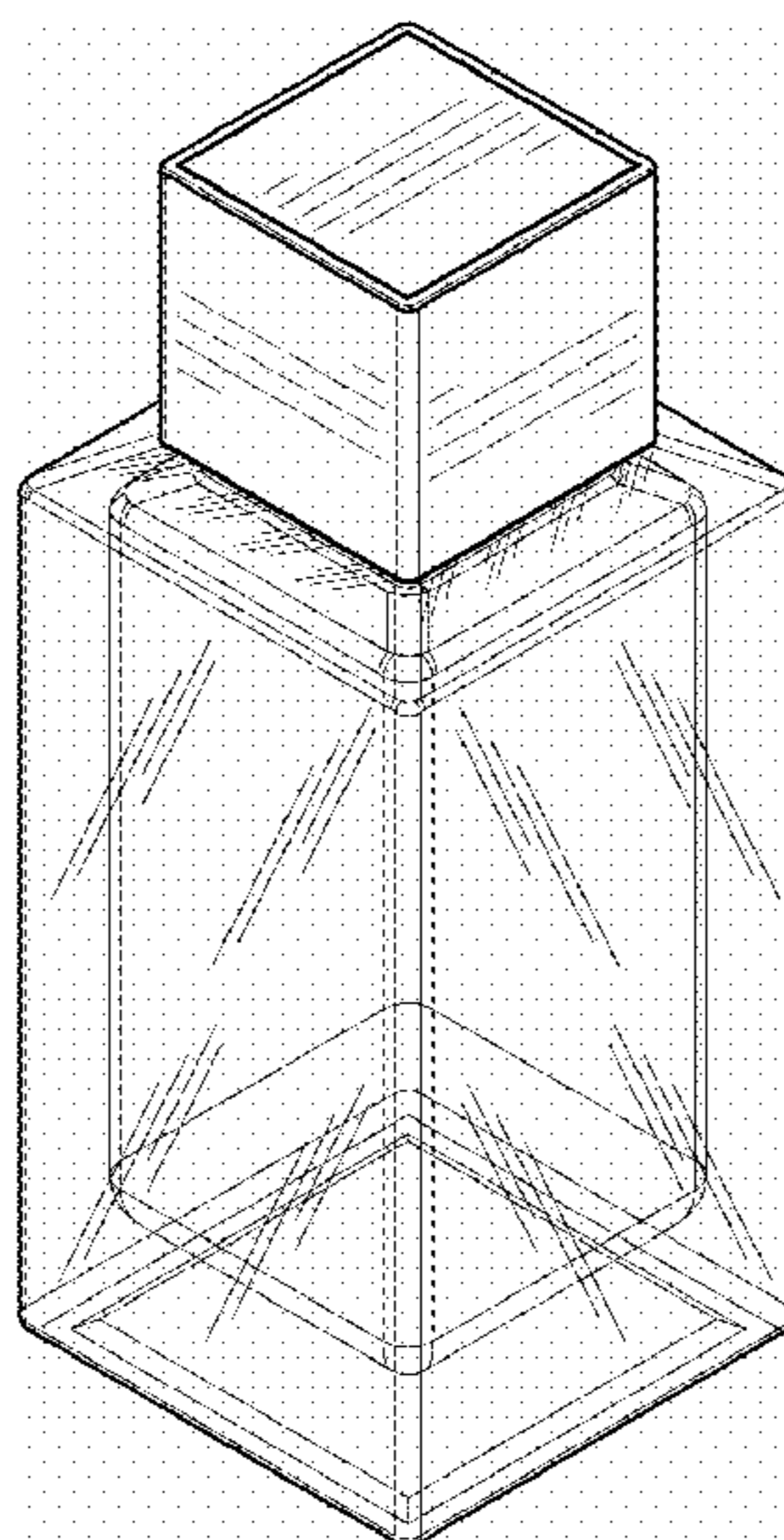
*Primary Examiner* — Darcey E Gottschalk  
(74) *Attorney, Agent, or Firm* — McNeese Wallace & Nurick LLC

(57) **CLAIM**  
The ornamental design for a perfume bottle, as shown and described.

**DESCRIPTION**

**1.1** is a perspective view of a perfume bottle, showing the design;  
**1.2** is a front elevation view of the perfume bottle of **1.1**;  
**1.3** is a rear elevation view of the perfume bottle of **1.1**;  
**1.4** is a right side elevation view of the perfume bottle of **1.1**;  
**1.5** is a left side elevation view of the perfume bottle of **1.1**;  
**1.6** is a top plan view of the perfume bottle of **1.1**; and  
**1.7** is a bottom plan view of the perfume bottle of **1.1**.  
The broken lines depict portions of the perfume bottle that form no part of the claim.

**1 Claim, 7 Drawing Sheets**



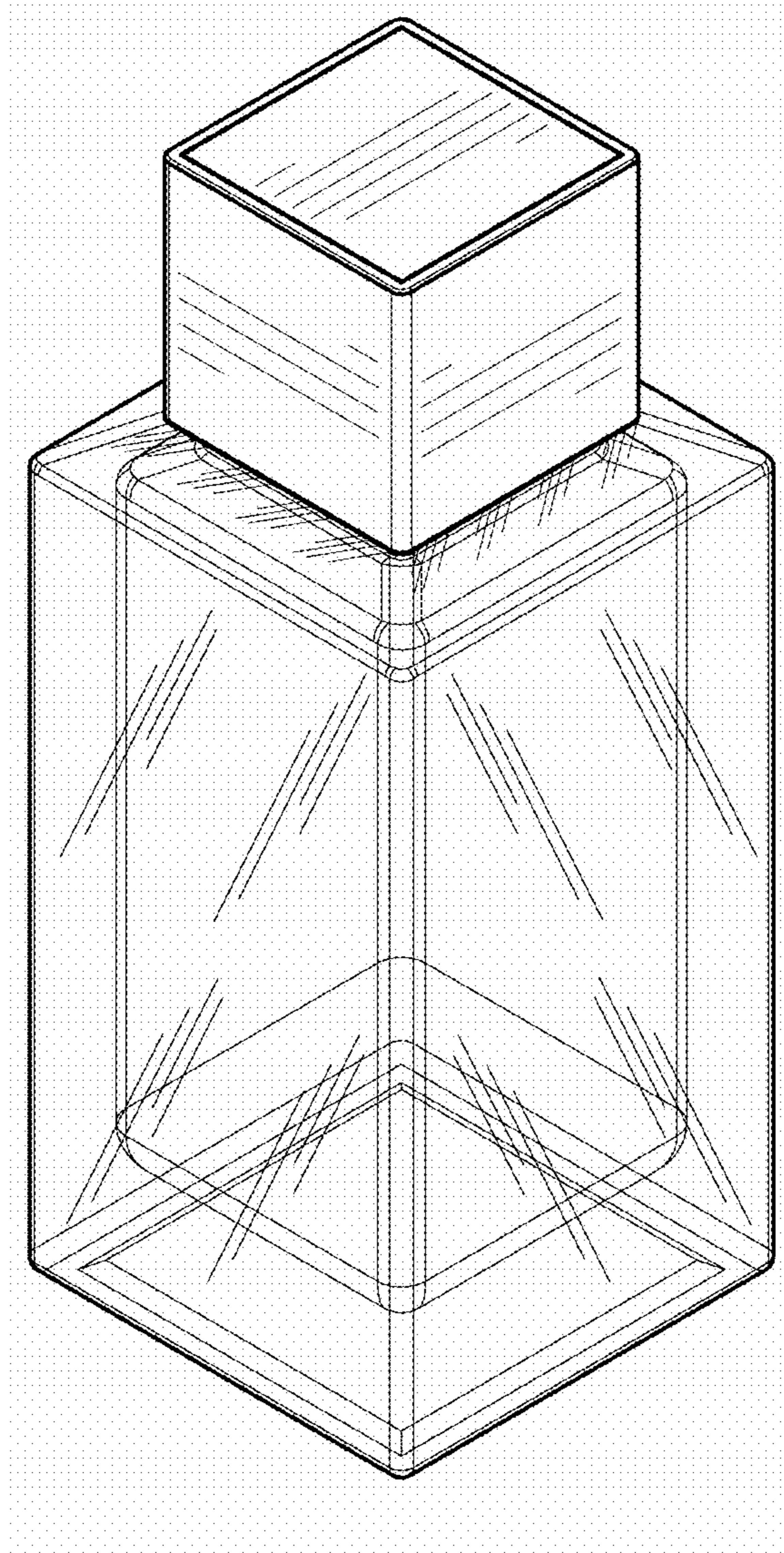
(56)

**References Cited**

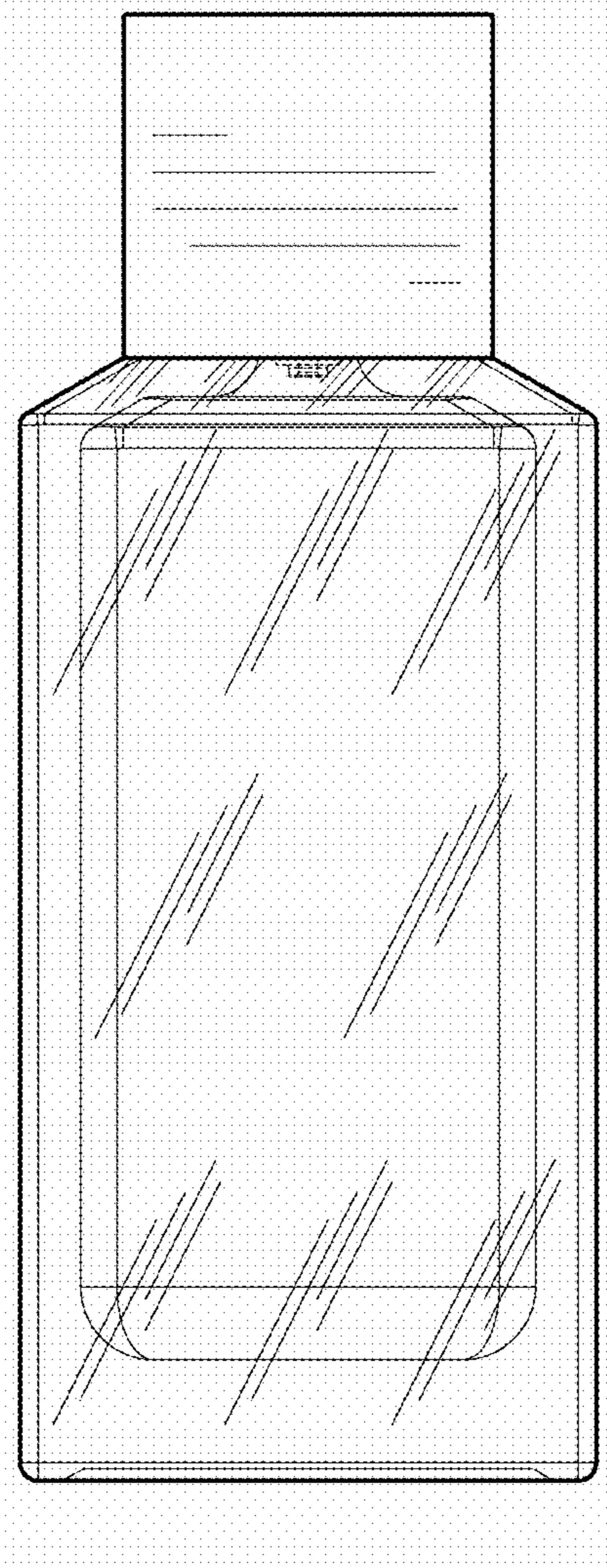
U.S. PATENT DOCUMENTS

D852,052 S *	6/2019	Dalton .....	D9/566
D852,639 S *	7/2019	Spitzer .....	D9/694
D853,035 S *	7/2019	Moretti .....	D28/76
D860,802 S *	9/2019	Lee .....	D9/560
D863,972 S *	10/2019	Staab .....	D9/560
D865,297 S *	10/2019	De Martino .....	D28/85
D869,955 S *	12/2019	Kilduff .....	D9/560
2013/0341329 A1 *	12/2013	Adler .....	G09F 3/10 220/288

\* cited by examiner

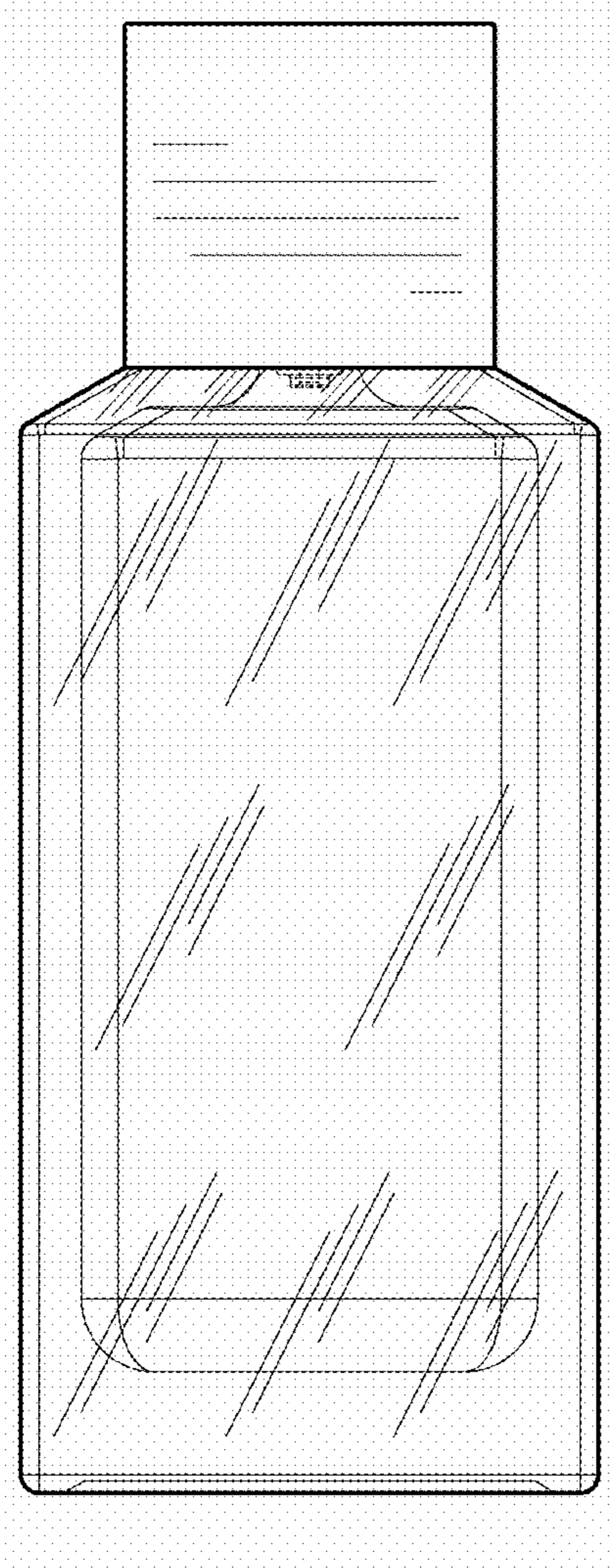


1.1

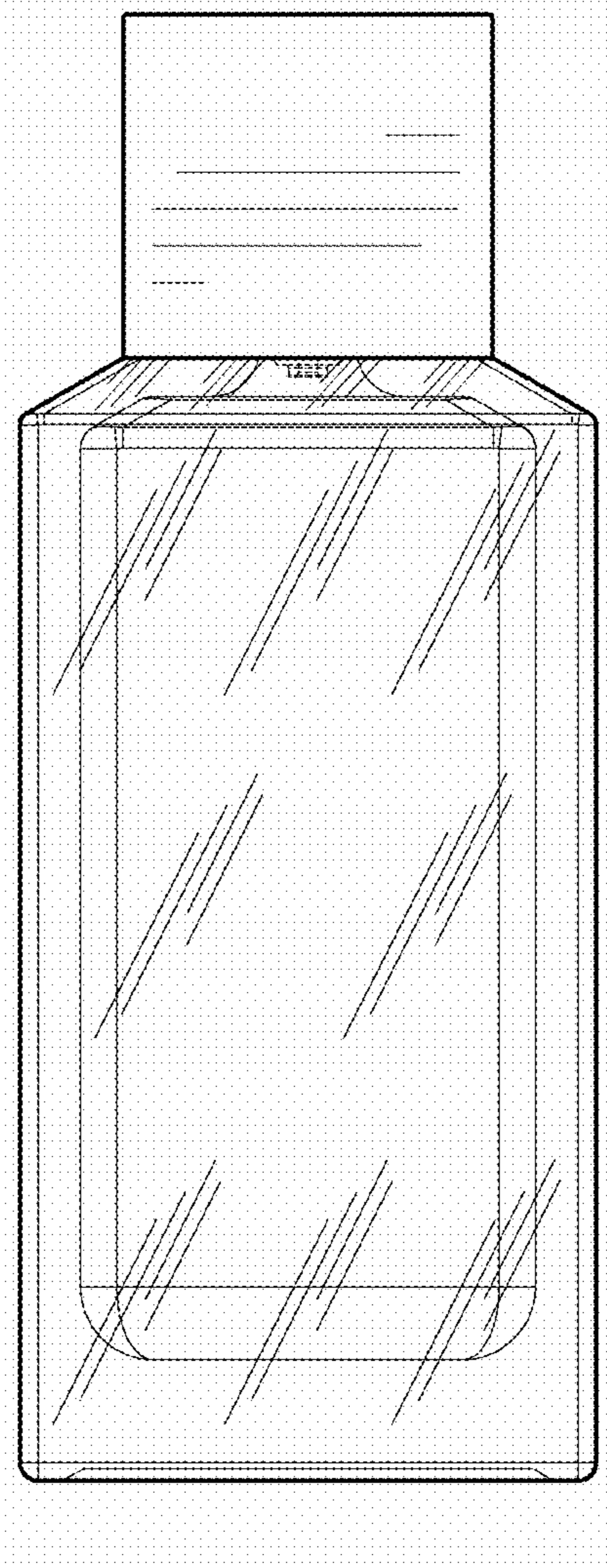


1.2

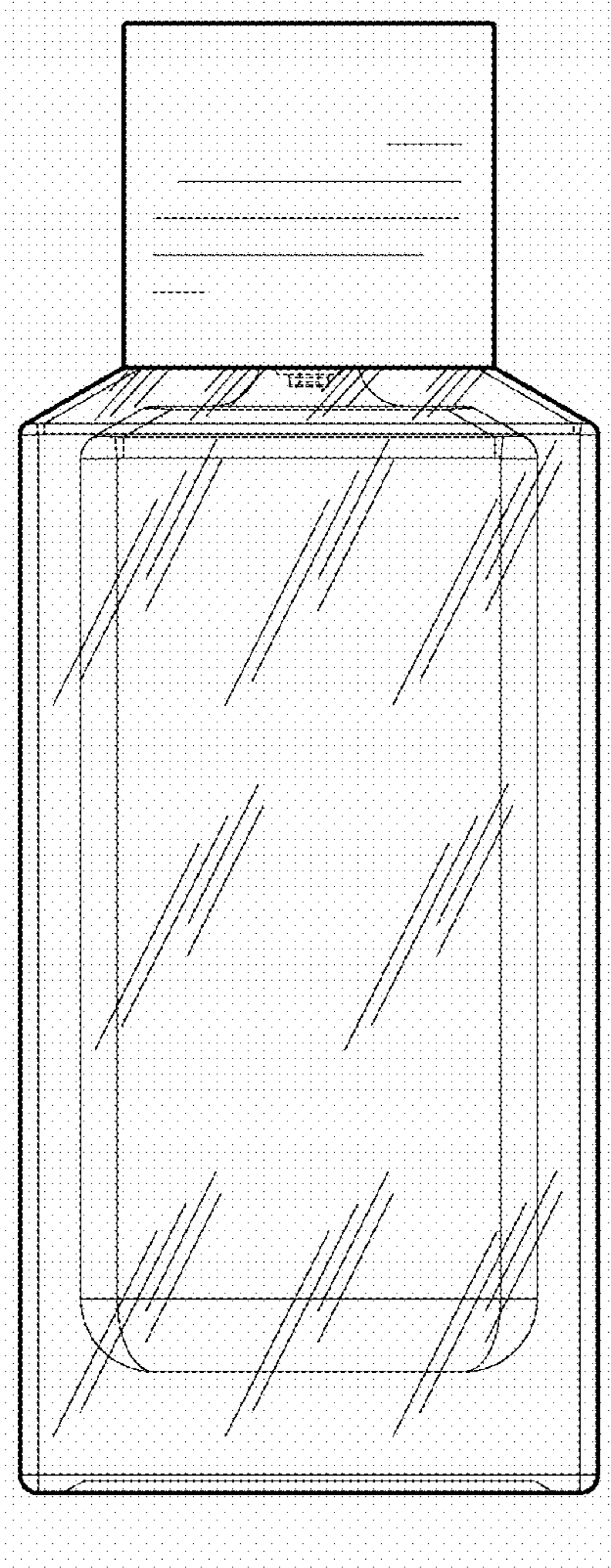




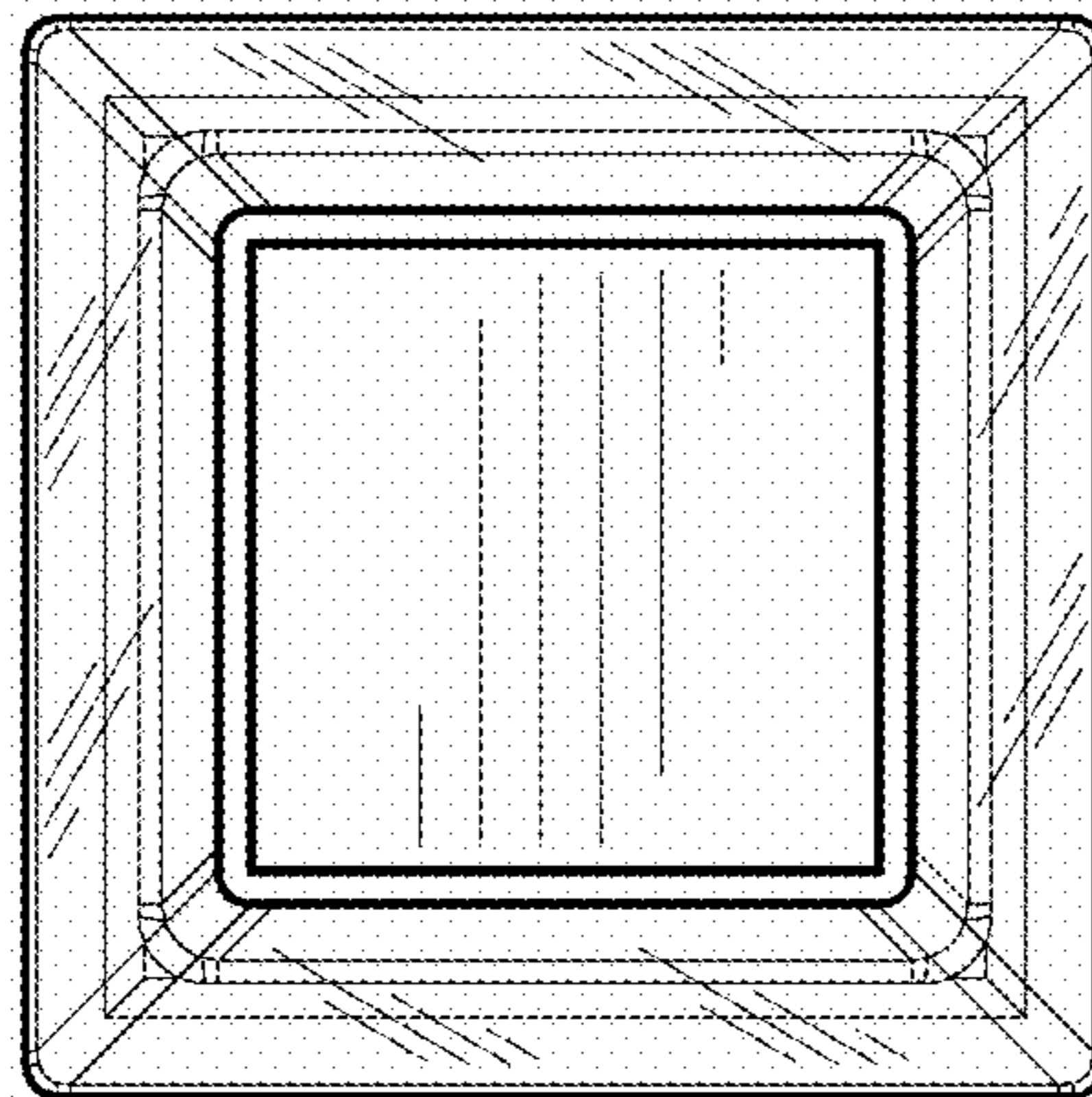
1.3



1.4

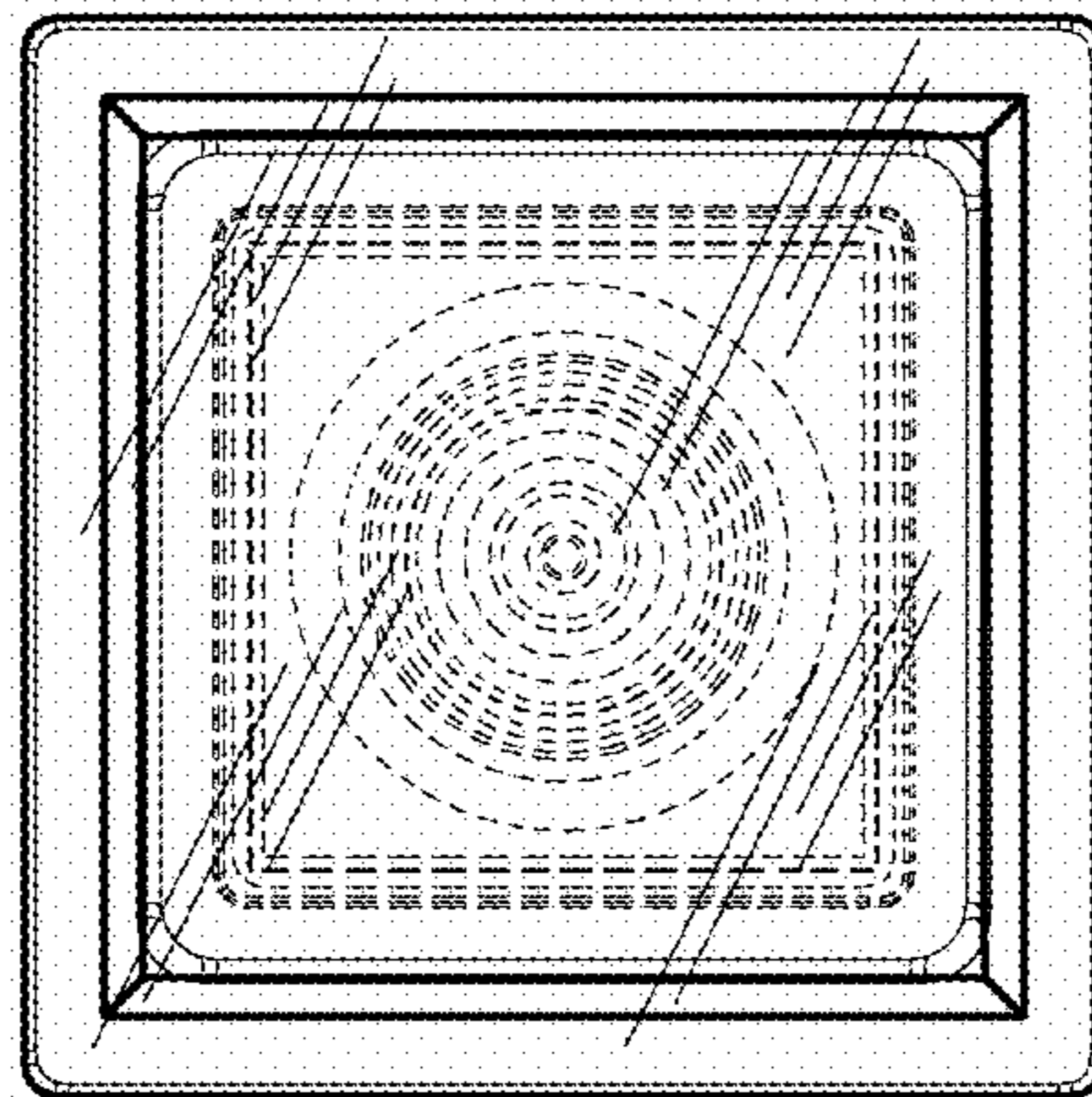


1.5



1.6





1.7