



US00D904890S

(12) **United States Design Patent**
Da Barp

(10) **Patent No.:** **US D904,890 S**

(45) **Date of Patent:** **** Dec. 15, 2020**

(54) **BOTTLE**

(71) Applicant: **Axiom Packaging LLC**, New Albany, OH (US)

(72) Inventor: **Ivan Da Barp**, New Albany, OH (US)

(73) Assignee: **Axiom Packaging LLC**, New Albany, OH (US)

(**) Term: **15 Years**

(21) Appl. No.: **29/652,550**

(22) Filed: **Sep. 16, 2020**

Related U.S. Application Data

(62) Division of application No. 29/643,535, filed on Apr. 10, 2018.

(51) **LOC (12) Cl.** **09-01**

(52) **U.S. Cl.**
USPC **D9/538; D9/539; D9/550; D9/556; D9/557; D9/558**

(58) **Field of Classification Search**

USPC D9/434, 500, 502–503, 516, 530–531, D9/537–540, 549–550, 556–558, 715, 719
CPC B65D 1/00; B65D 1/02; B65D 1/0223; B65D 1/44; B65D 23/00; B65D 23/102; B65D 2501/00; B65D 2501/0009; B65D 2501/0018; B65D 2501/0036

See application file for complete search history.

(56) **References Cited**

U.S. PATENT DOCUMENTS

D185,881 S * 8/1959 Fuerst D9/502
D191,599 S * 10/1961 King D9/502
D191,685 S * 10/1961 Price et al. D9/502
D194,811 S * 3/1963 Worthington D9/502
D212,276 S * 9/1968 Lodding et al. D9/538
D219,129 S * 11/1970 Wood D9/556

D248,835 S * 8/1978 Korsmeyer D9/500
D255,544 S * 6/1980 Humphries D9/764
D282,632 S * 2/1986 Beaver D9/500
4,610,366 A * 9/1986 Estes B65D 1/0215
426/106
5,092,476 A * 3/1992 Yasuda B65D 23/106
215/398
D348,006 S * 6/1994 Feen D9/552

(Continued)

Primary Examiner — Dana Meyrow

(74) *Attorney, Agent, or Firm* — Porter, Wright, Morris & Arthur, LLP

(57) **CLAIM**

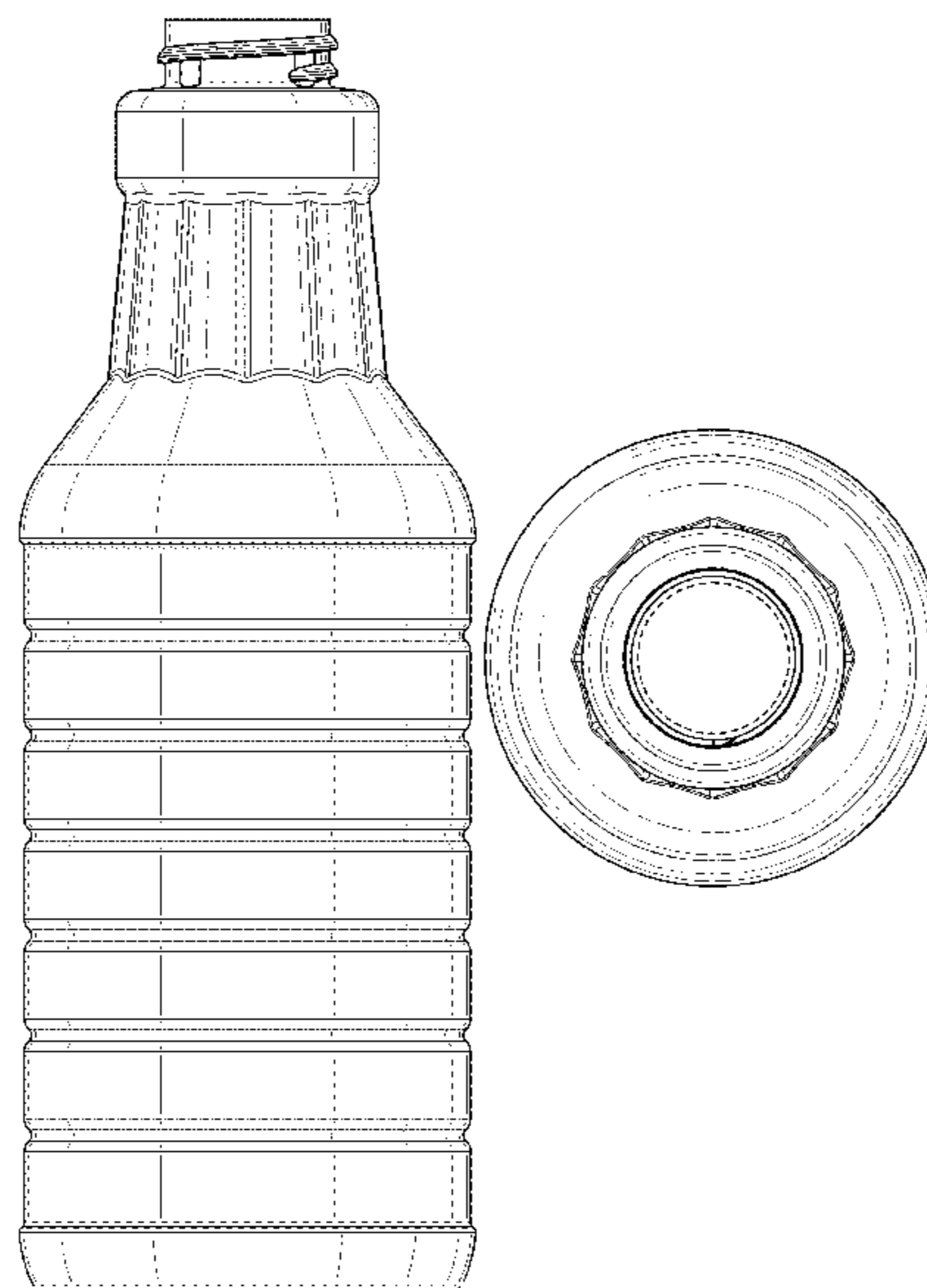
The ornamental design for a bottle, as shown and described.

DESCRIPTION

FIG. 1 is a perspective view of a bottle according to a first embodiment of my new design;
FIG. 2 is front view thereof;
FIG. 3 is a rear view thereof;
FIG. 4 is a left side view thereof;
FIG. 5 is a right side view thereof;
FIG. 6 is a top view thereof;
FIG. 7 is bottom view thereof;
FIG. 8 is an enlarged fragmented view thereof, taken from FIG. 2;
FIG. 9 is a perspective view of a bottle according to a second embodiment of my new design;
FIG. 10 is front view thereof;
FIG. 11 is a rear view thereof;
FIG. 12 is a left side view thereof;
FIG. 13 is a right side view thereof;
FIG. 14 is a top view thereof;
FIG. 15 is bottom view thereof; and,
FIG. 16 is an enlarged fragmented view thereof, taken from FIG. 10.

The broken lines in the drawings illustrate the portions of the bottle that form no part of the claim.

1 Claim, 16 Drawing Sheets



(56)

References Cited

U.S. PATENT DOCUMENTS

D348,007 S *	6/1994	Feen	D9/556
D348,837 S *	7/1994	Feen	D9/502
D386,418 S *	11/1997	Edstrom	D9/538
D387,671 S *	12/1997	Panella	D9/538
D401,856 S *	12/1998	Daniels	D9/502
D414,699 S *	10/1999	Alt	D9/502
D487,564 S *	3/2004	Beck	D9/520
D847,639 S *	5/2019	Pritchett, Jr.	D9/502
D847,640 S *	5/2019	Pritchett, Jr.	D9/502

* cited by examiner

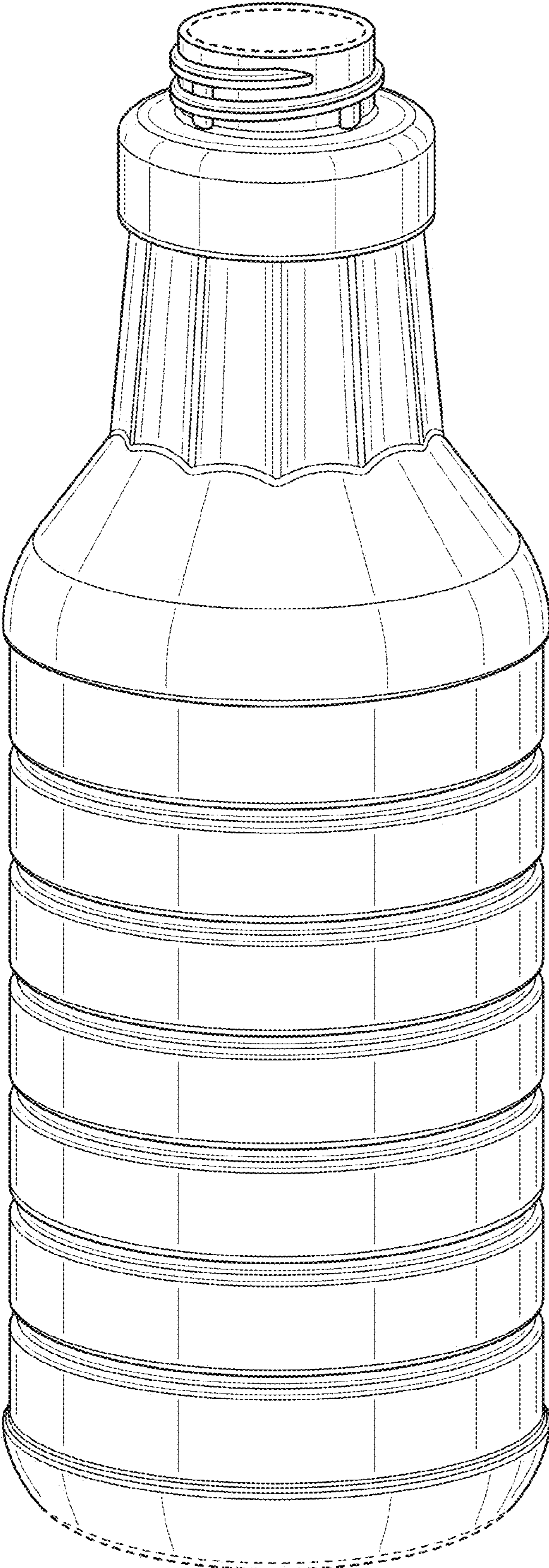


FIG. 1

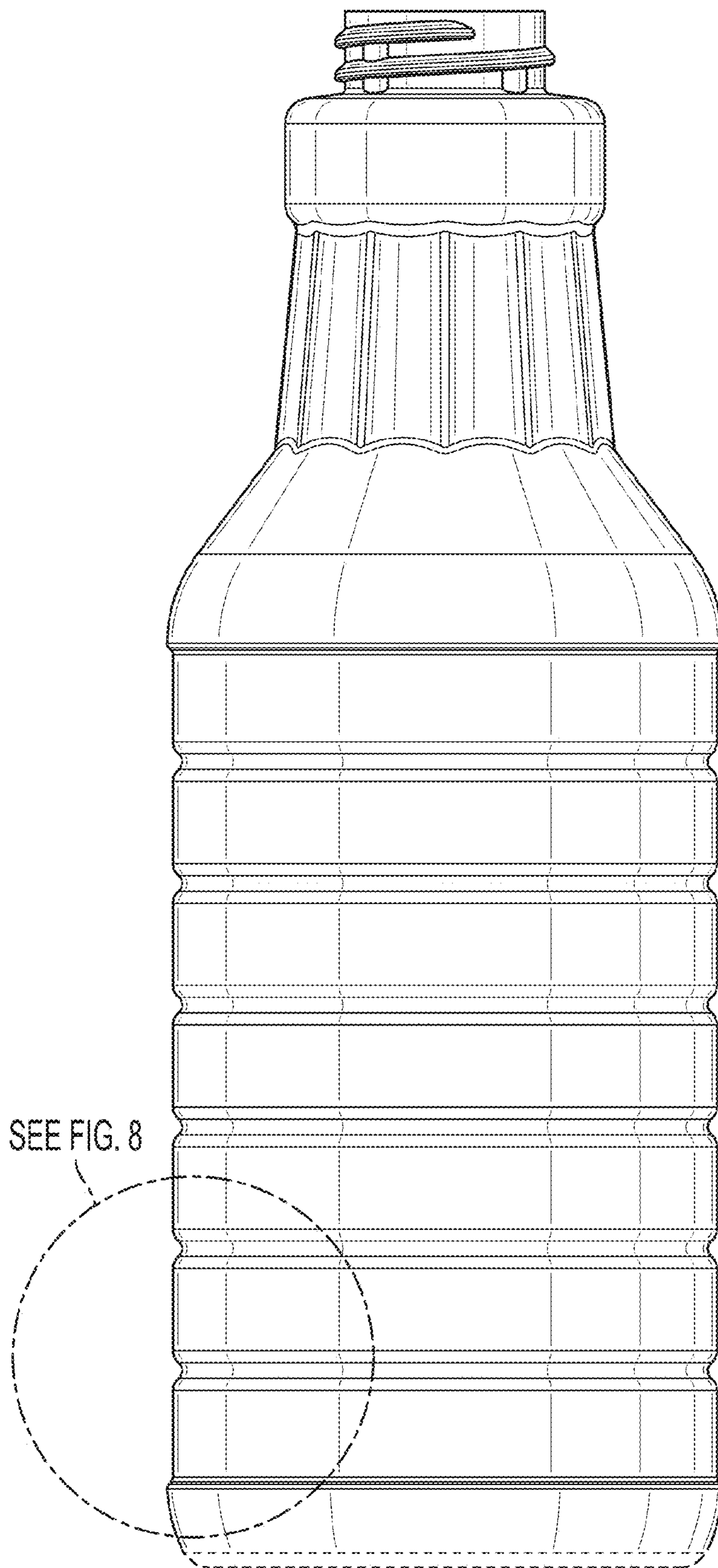


FIG. 2

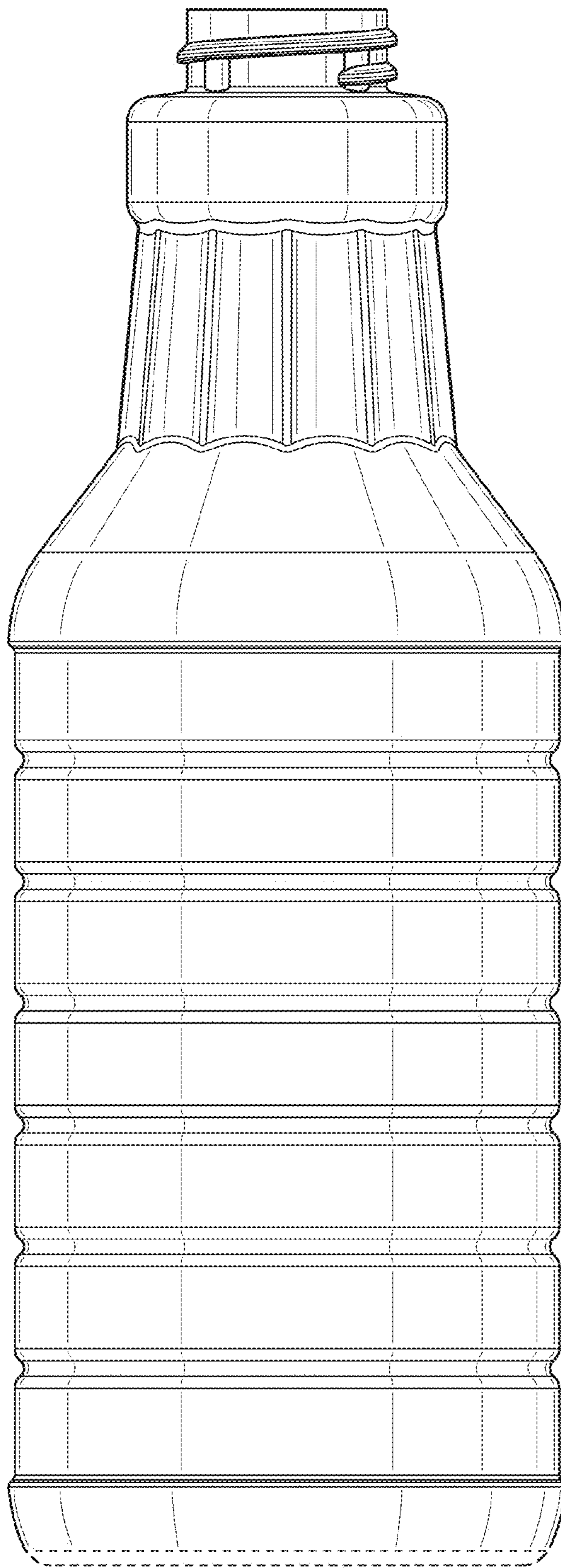


FIG. 3

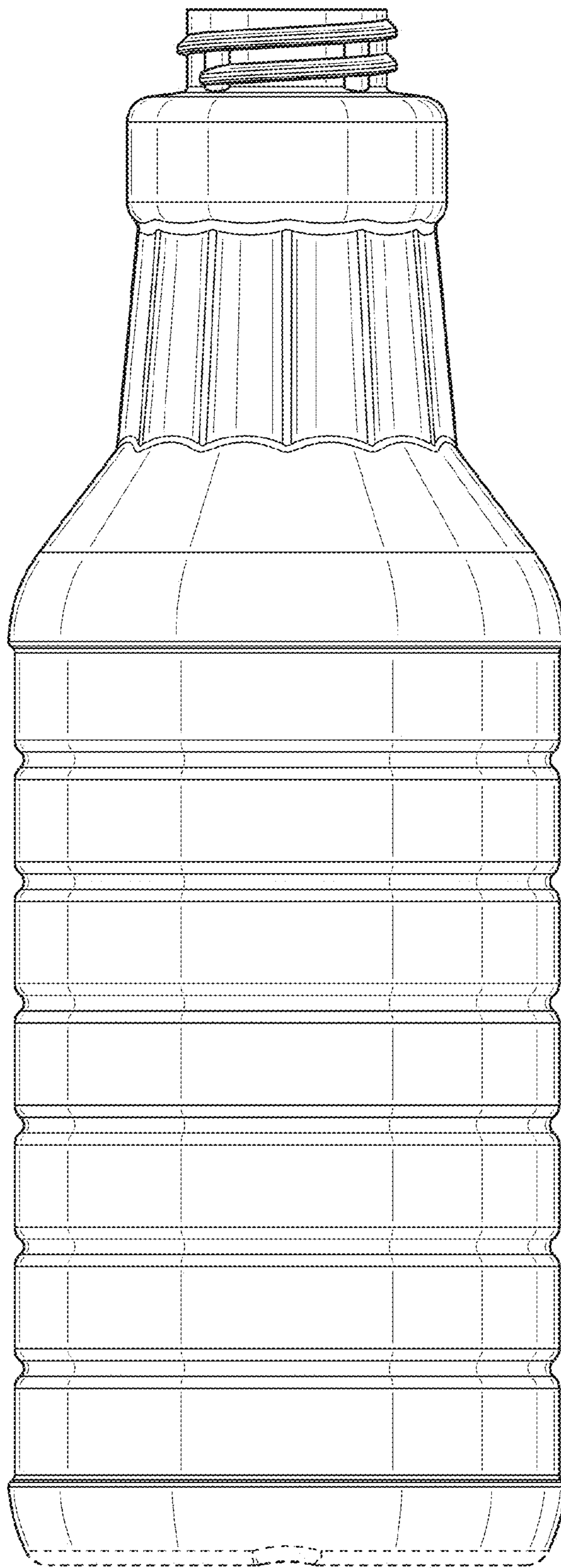


FIG. 4

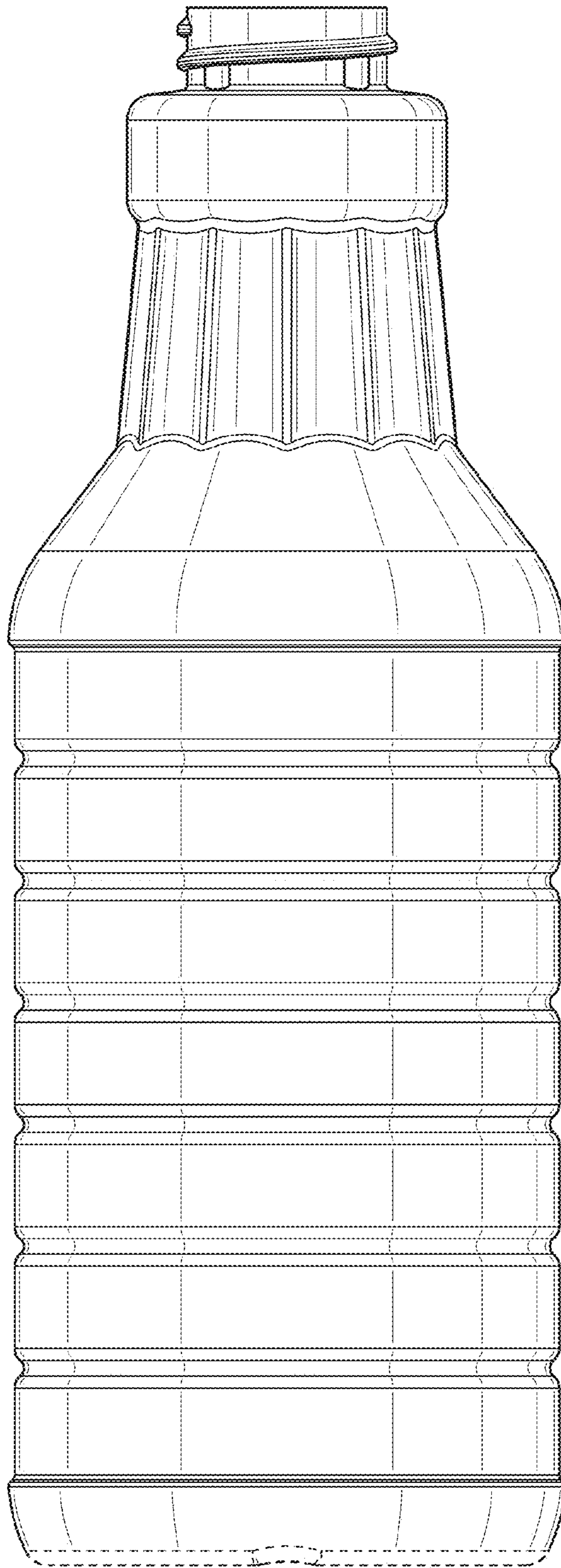


FIG. 5

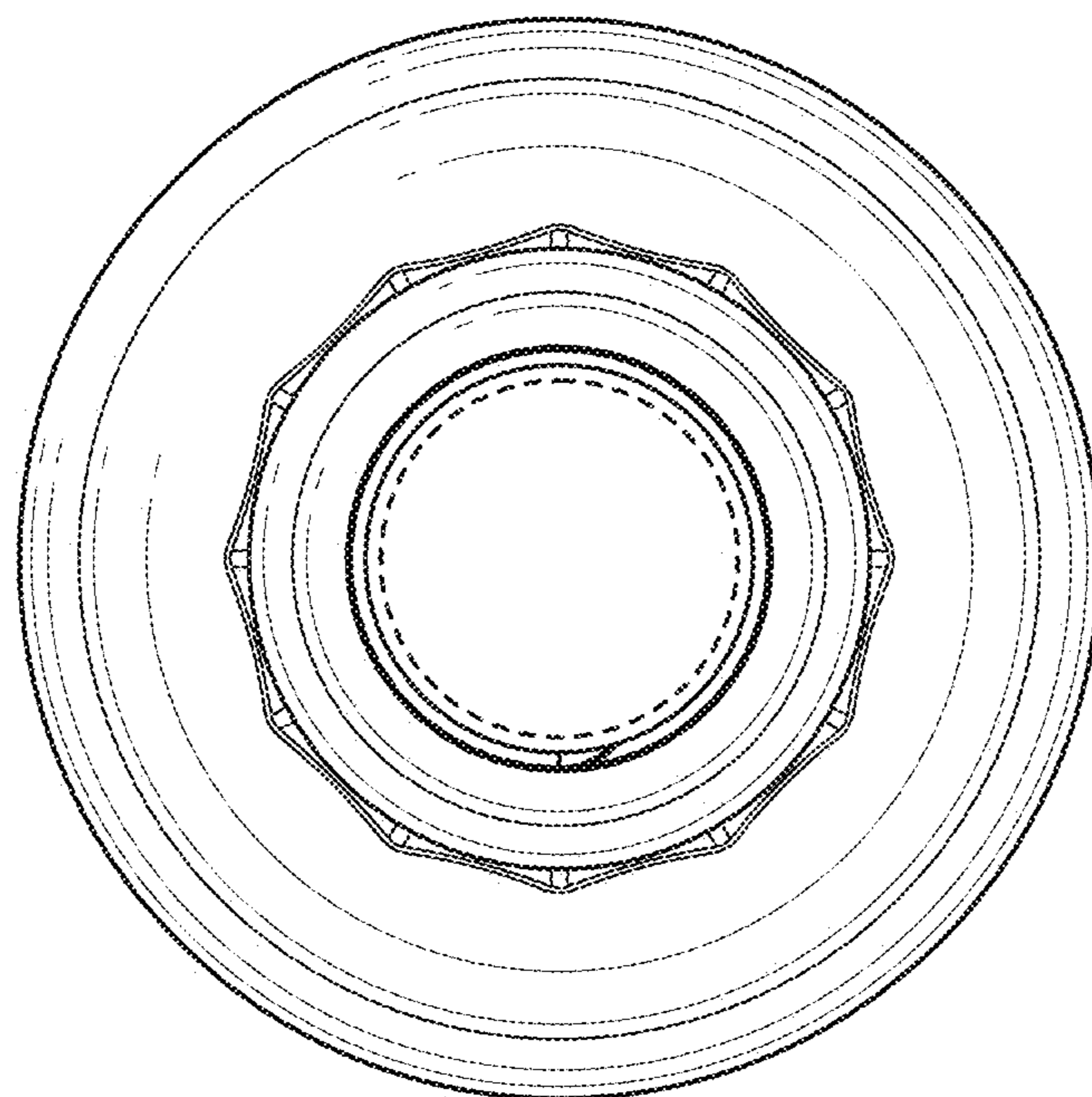


FIG. 6

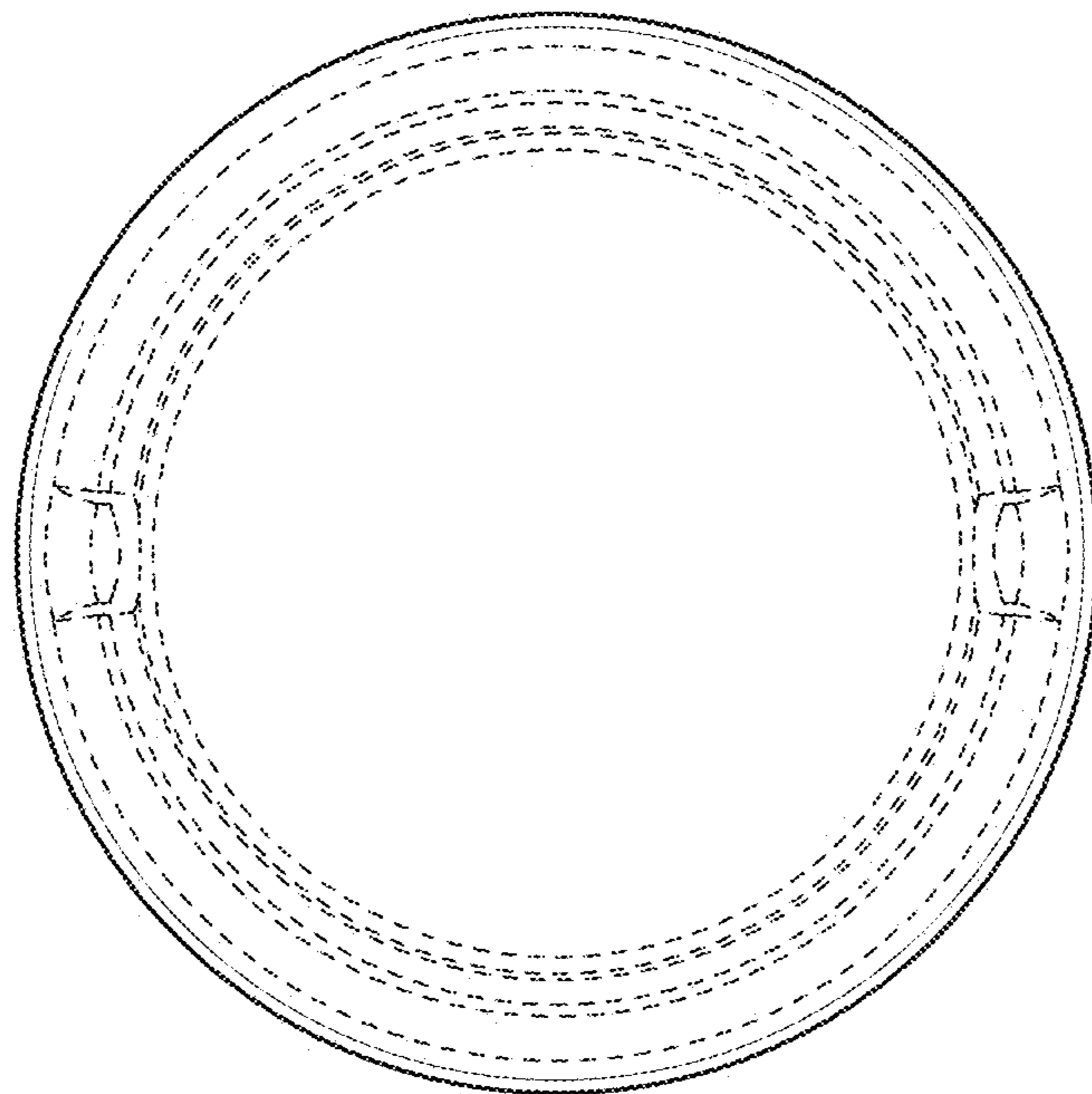


FIG. 7

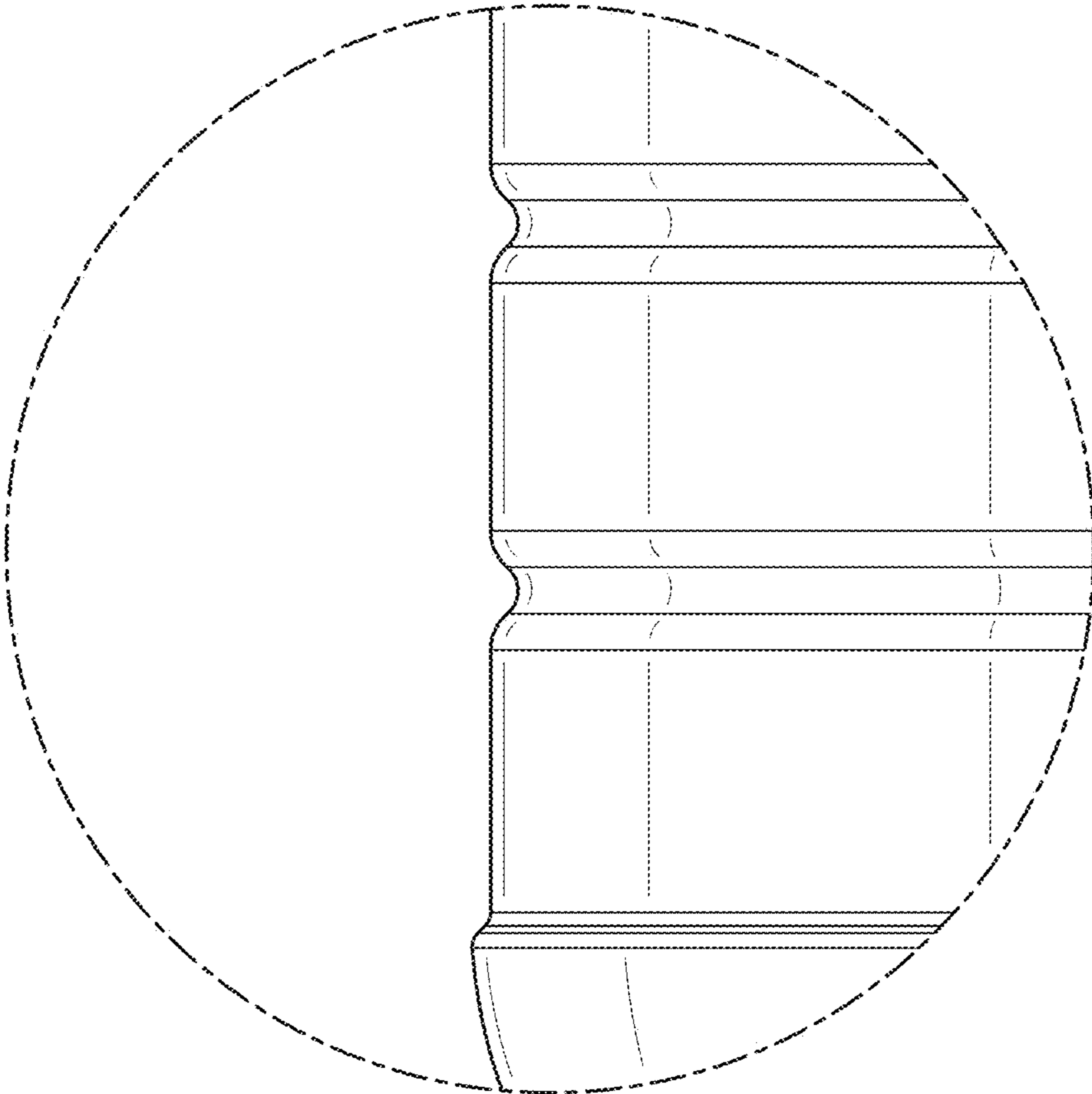


FIG. 8

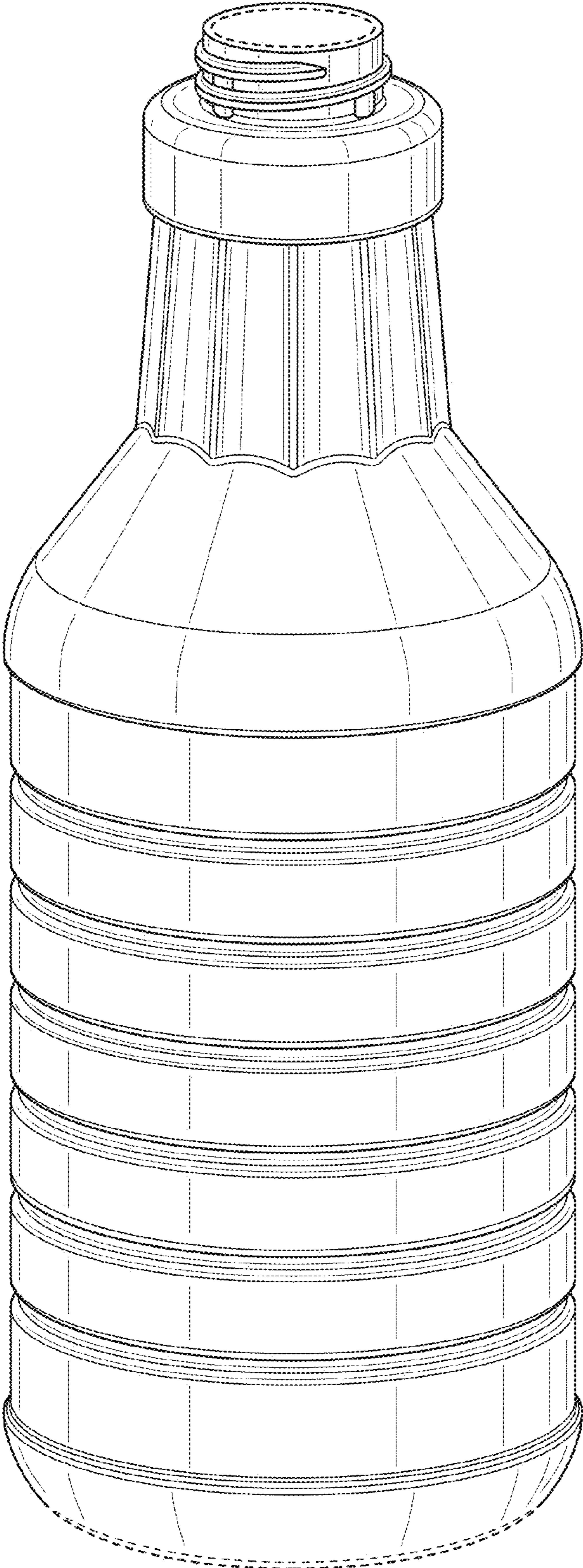


FIG. 9

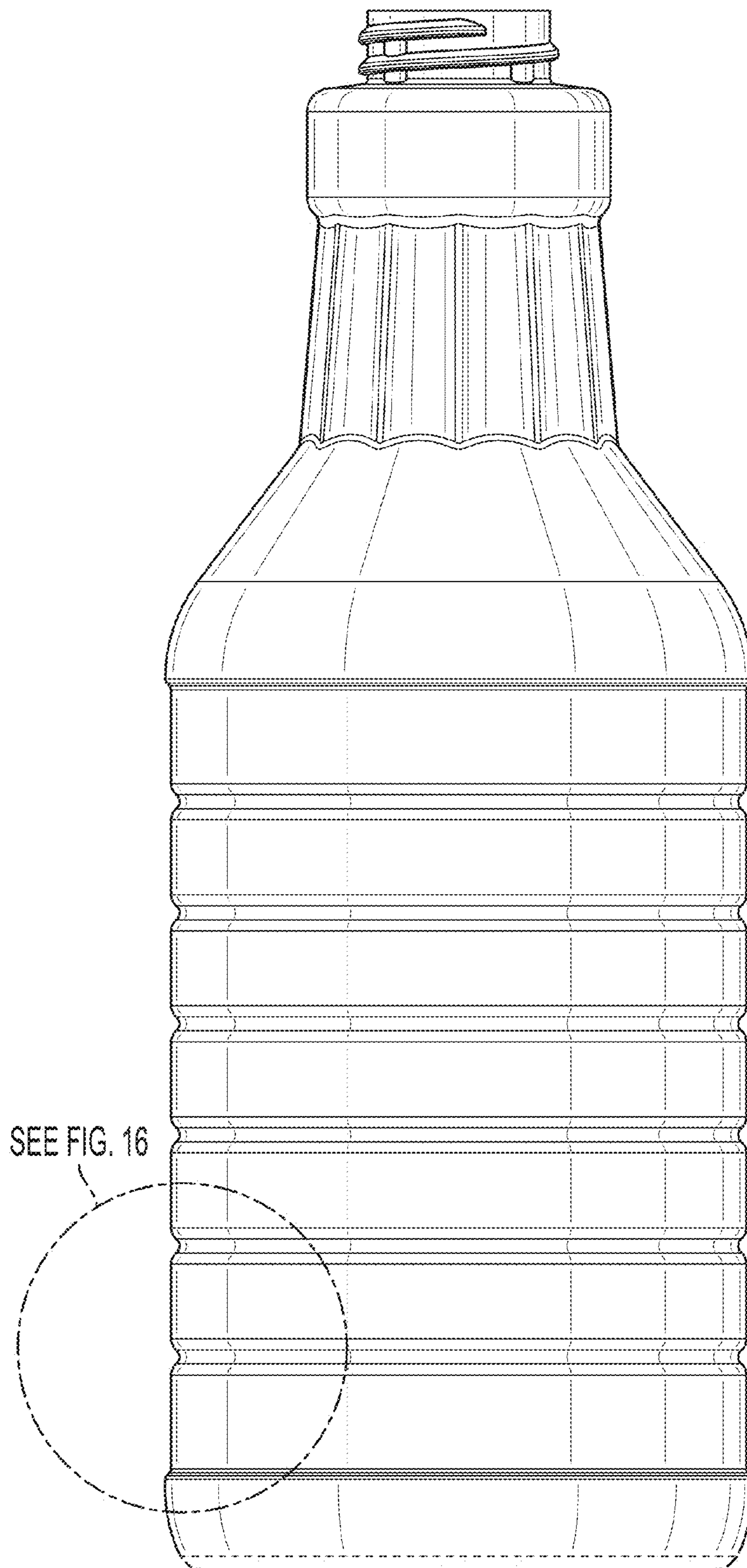


FIG. 10

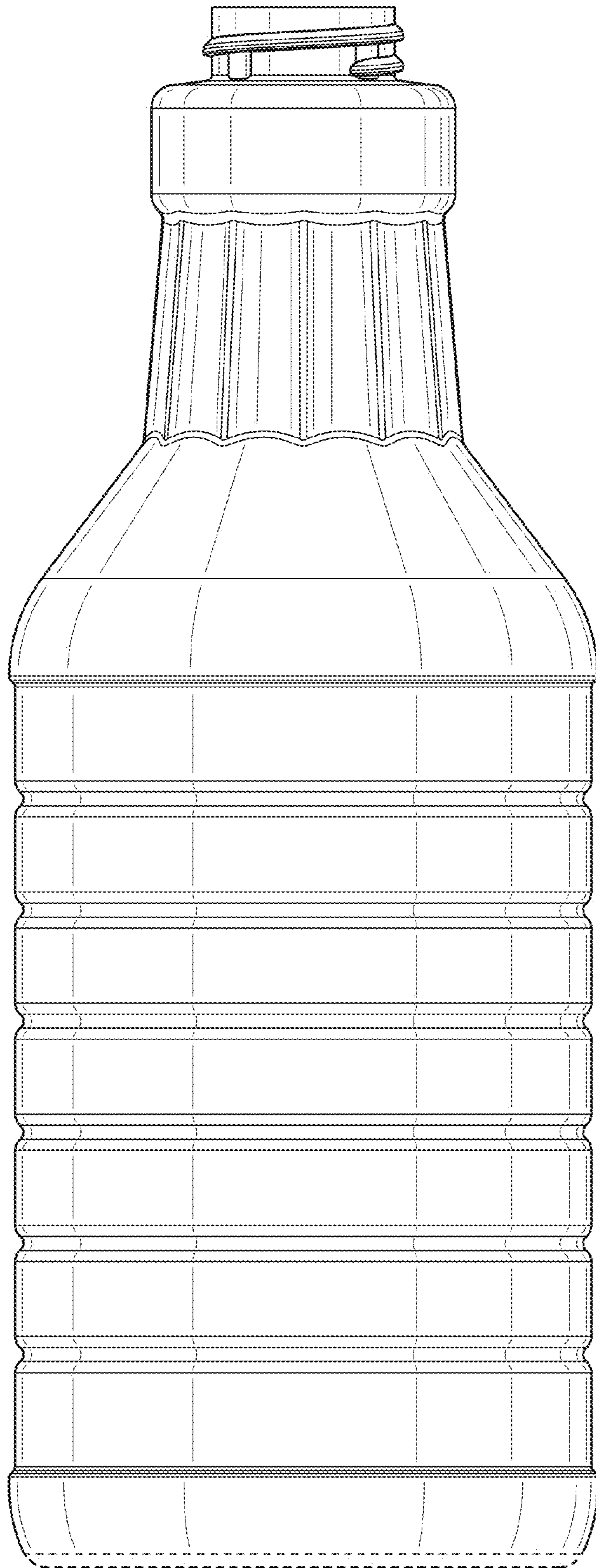


FIG. 11

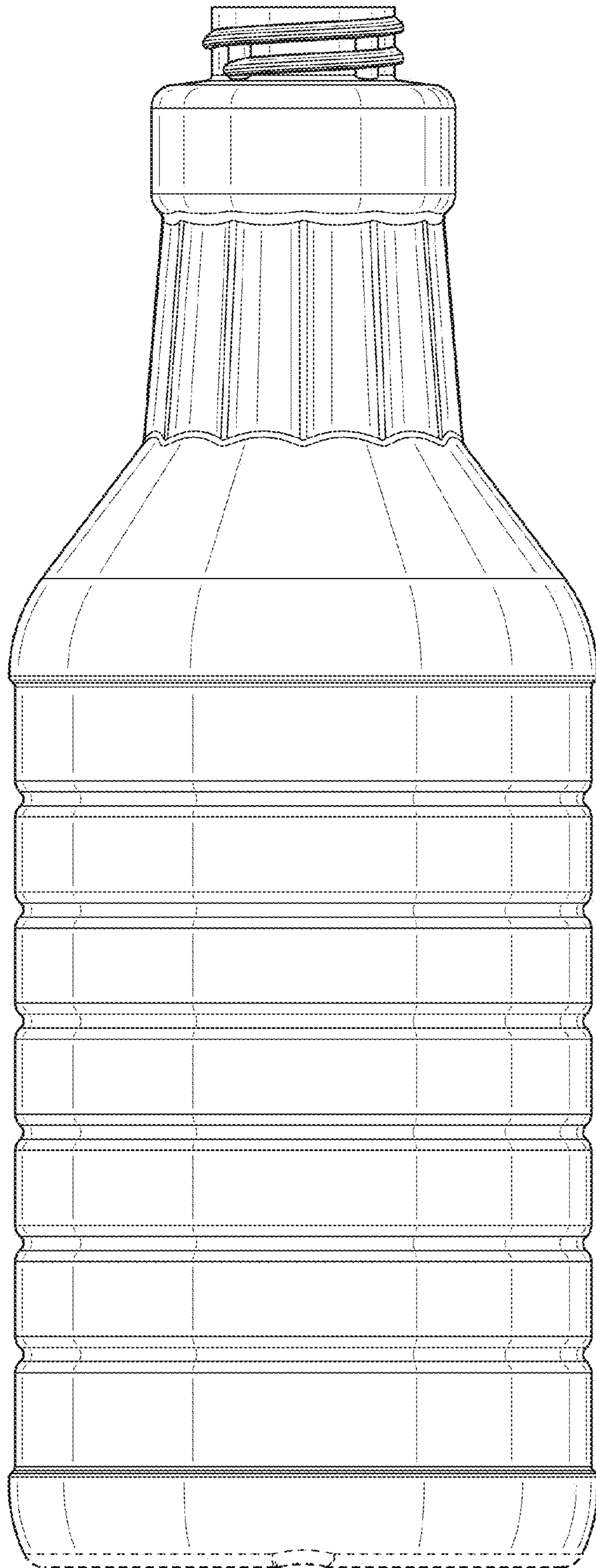


FIG. 12

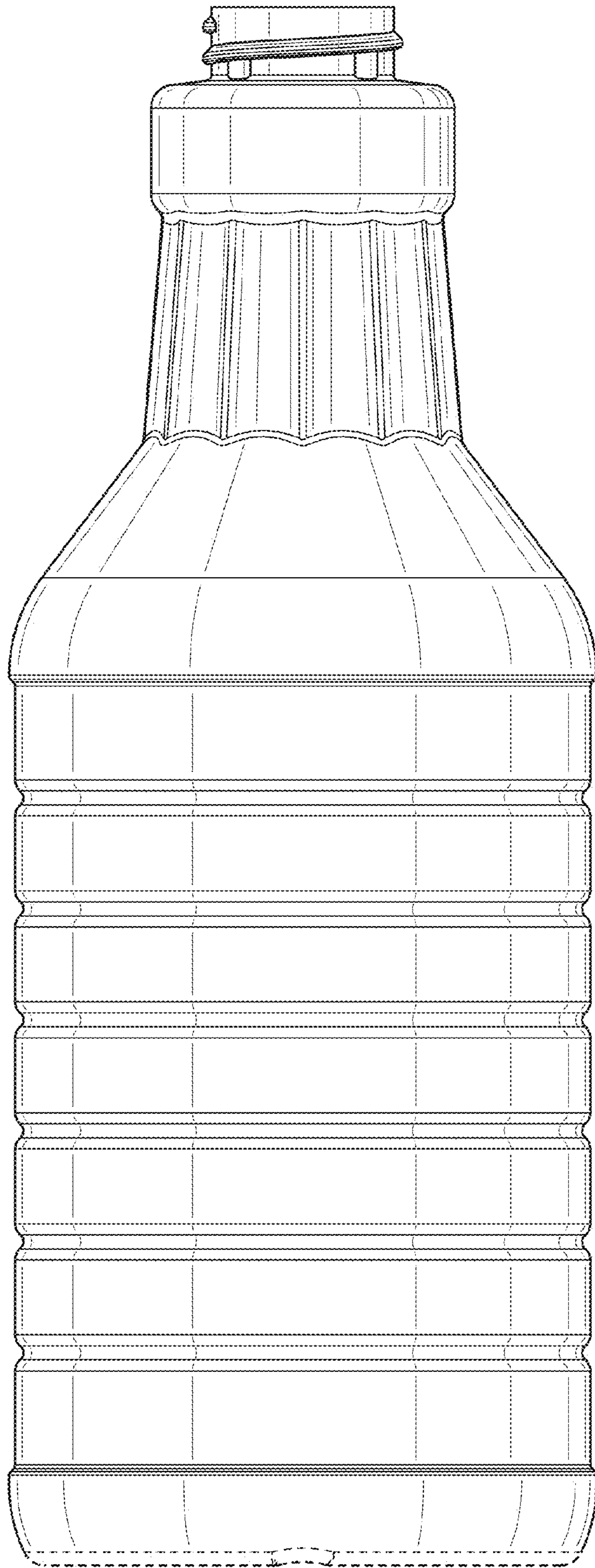


FIG. 13

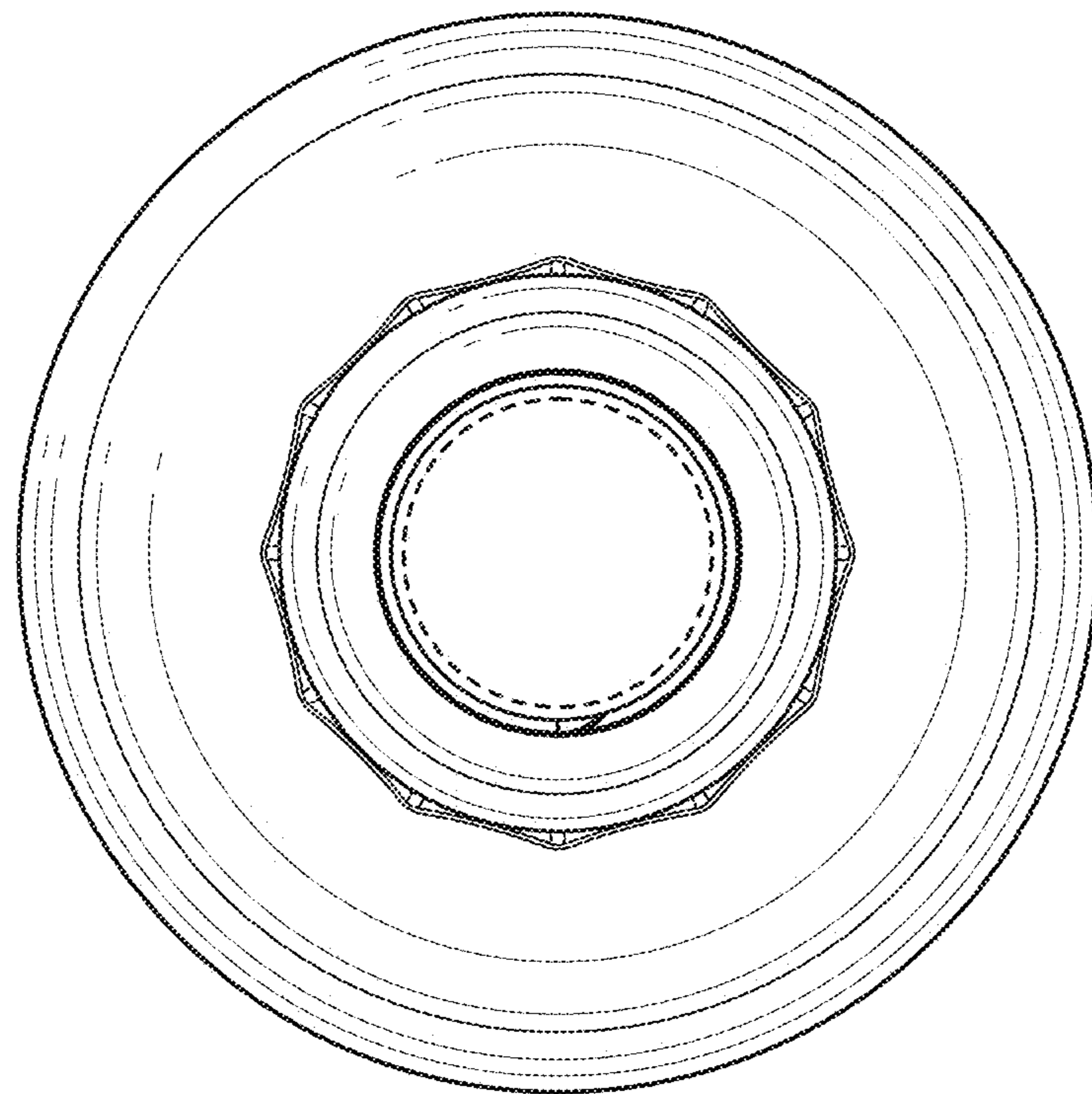


FIG. 14

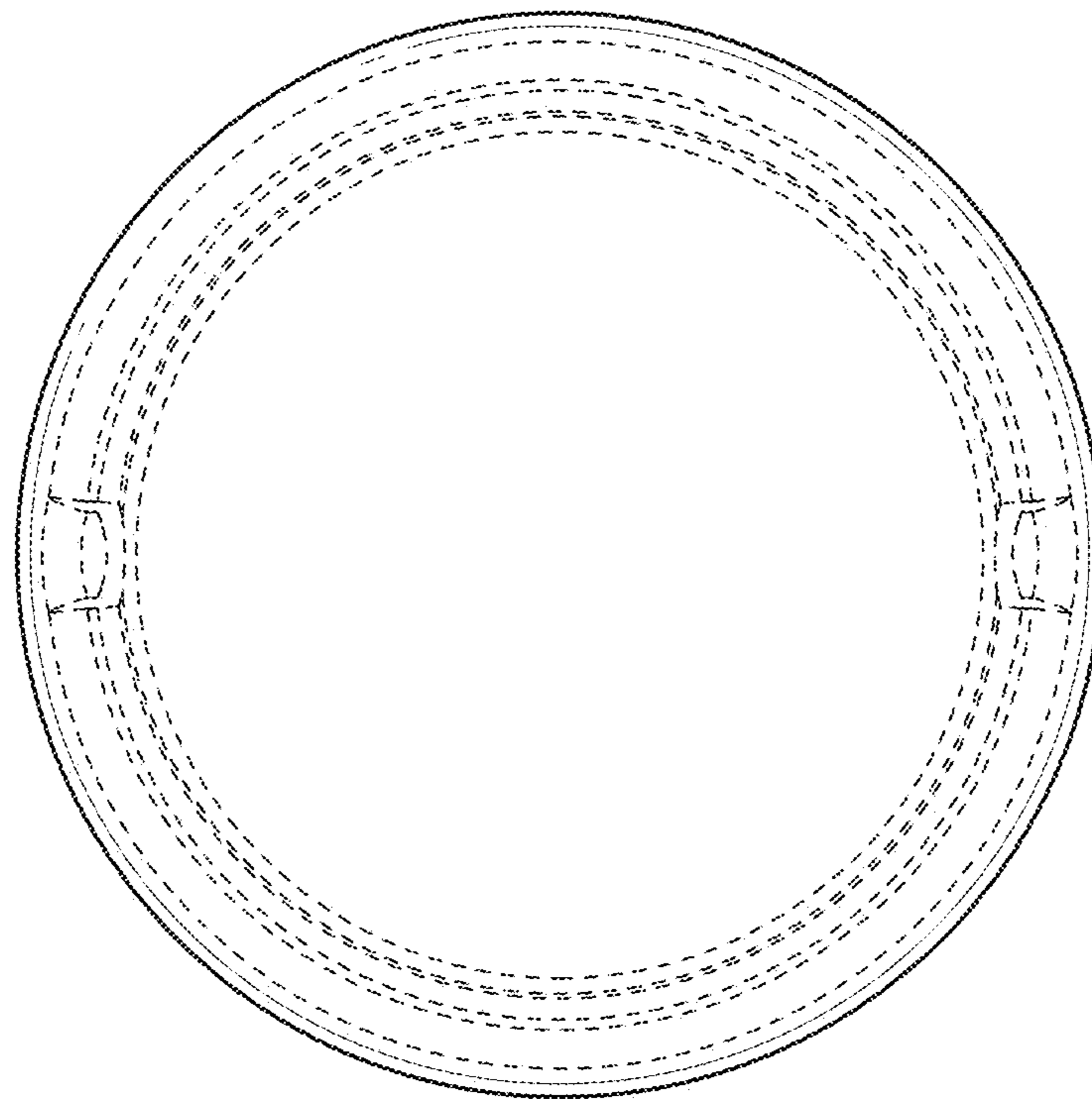


FIG. 15

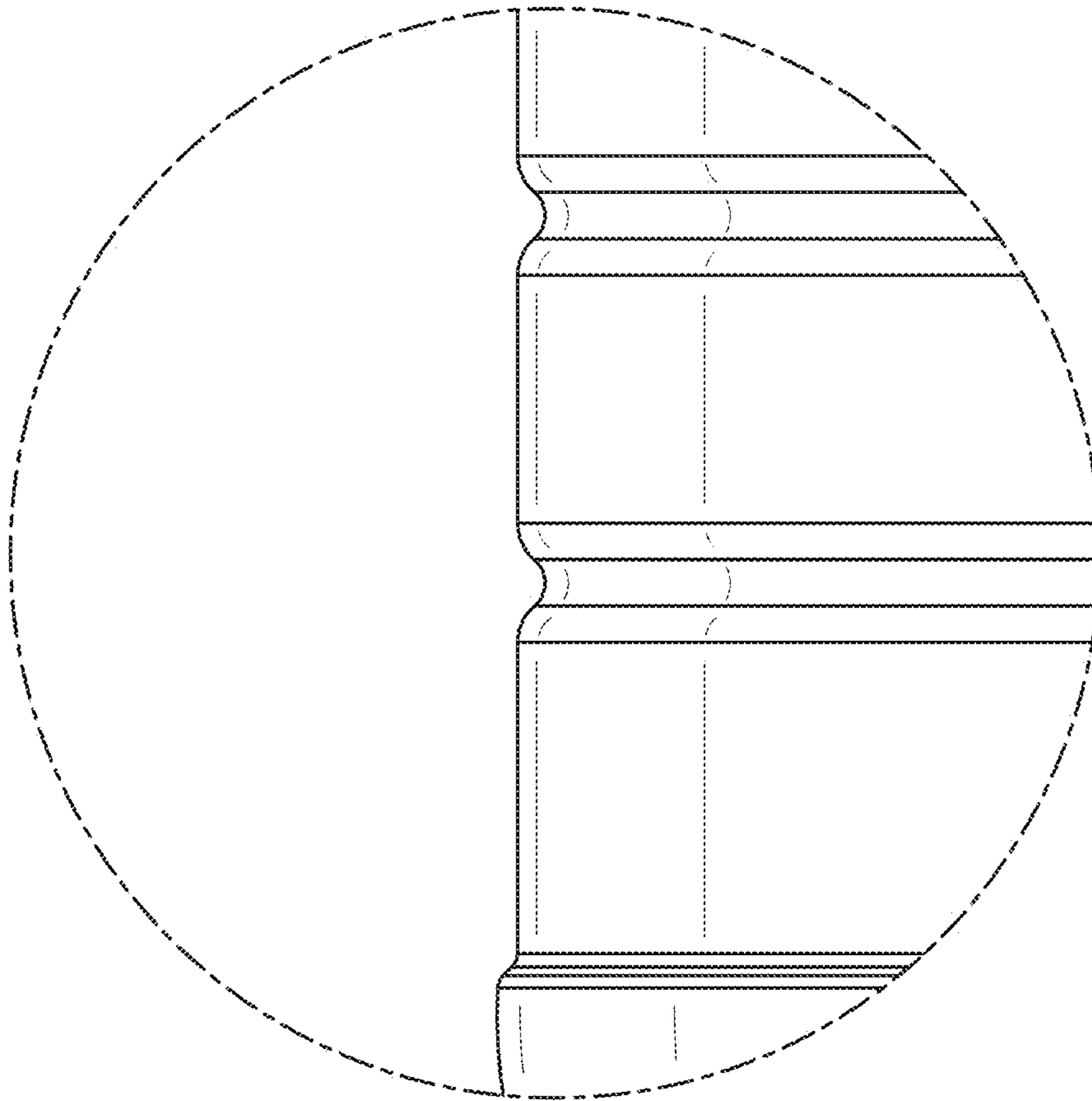


FIG. 16