



US00D904889S

(12) **United States Design Patent**
Bhat et al.

(10) **Patent No.:** **US D904,889 S**
(45) **Date of Patent:** **** Dec. 15, 2020**

(54) **CONTAINER**

2501/00; B65D 2501/0009; B65D
43/0231; B65D 53/02; F16L 11/00;
(Continued)

(71) Applicant: **PepsiCo, Inc.**, Purchase, NY (US)

(72) Inventors: **Advait Bhat**, White Plains, NY (US);
Girish Nilkanth Deshpande, Carmel,
NY (US); **Maximiliano Rodriguez**,
Bridgewater, NJ (US); **Benjamin**
Joseph Tantanella, New York, NY
(US); **Bruno Telesca**, Sandy Hook, CT
(US); **Nathan Daniel Grubbs**, West
Chester, OH (US); **Ryan Alan Klenke**,
St. Henry, OH (US)

(56) **References Cited**

U.S. PATENT DOCUMENTS

D32,681 S 5/1900 Morgenthaler
D34,342 S 4/1901 Brown
(Continued)

FOREIGN PATENT DOCUMENTS

WO WO 2013103589 7/2013

(73) Assignee: **PepsiCo, Inc.**, Purchase, NY (US)

(**) Term: **15 Years**

(21) Appl. No.: **29/697,241**

(22) Filed: **Jul. 5, 2019**

(51) **LOC (12) Cl.** **09-01**

(52) **U.S. Cl.**
USPC **D9/529**

(58) **Field of Classification Search**

USPC D9/417, 424, 428, 434, 435, 436, 439,
D9/440, 447, 448, 454, 455, 456, 500,
D9/502-504, 516, 519, 529, 549, 558,
D9/715; D23/207-209, 233-237, 249,
D23/259.2, 262-266, 268, 269; D24/121,
D24/127, 129, 194, 196; D8/397, 399;
D32/32, 33; D3/203.2; D7/300.1, 387,
D7/388, 391, 392, 392.1, 393, 394, 395,
D7/396.1, 396.2, 396.6, 397, 398, 403,
D7/509, 510, 511, 566, 624.1, 625, 672,
D7/900

CPC B65C 11/02; B65B 31/00; B65B 7/28;
A61M 1/0003; A61M 1/0011; A61J
1/1418; A61J 1/14; A61J 1/1412; B65D
81/2038; B65D 81/20; B65D 85/804;
B65D 25/082; B65D 1/00; B65D 1/10;
B65D 23/00; B65D 81/3211; B65D

OTHER PUBLICATIONS

DrinkFiniyt: Announced Jul. 20, 2015 [online]. Site Visited [Sep.
23, 2020]. Available from Internet URL: [https://www.youtube.com/
watch?v=P0rp1xbSAD0](https://www.youtube.com/watch?v=P0rp1xbSAD0).*

(Continued)

Primary Examiner — Catherine S Posthauer
(74) *Attorney, Agent, or Firm* — Sterne, Kessler,
Goldstein & Fox P.L.L.C.

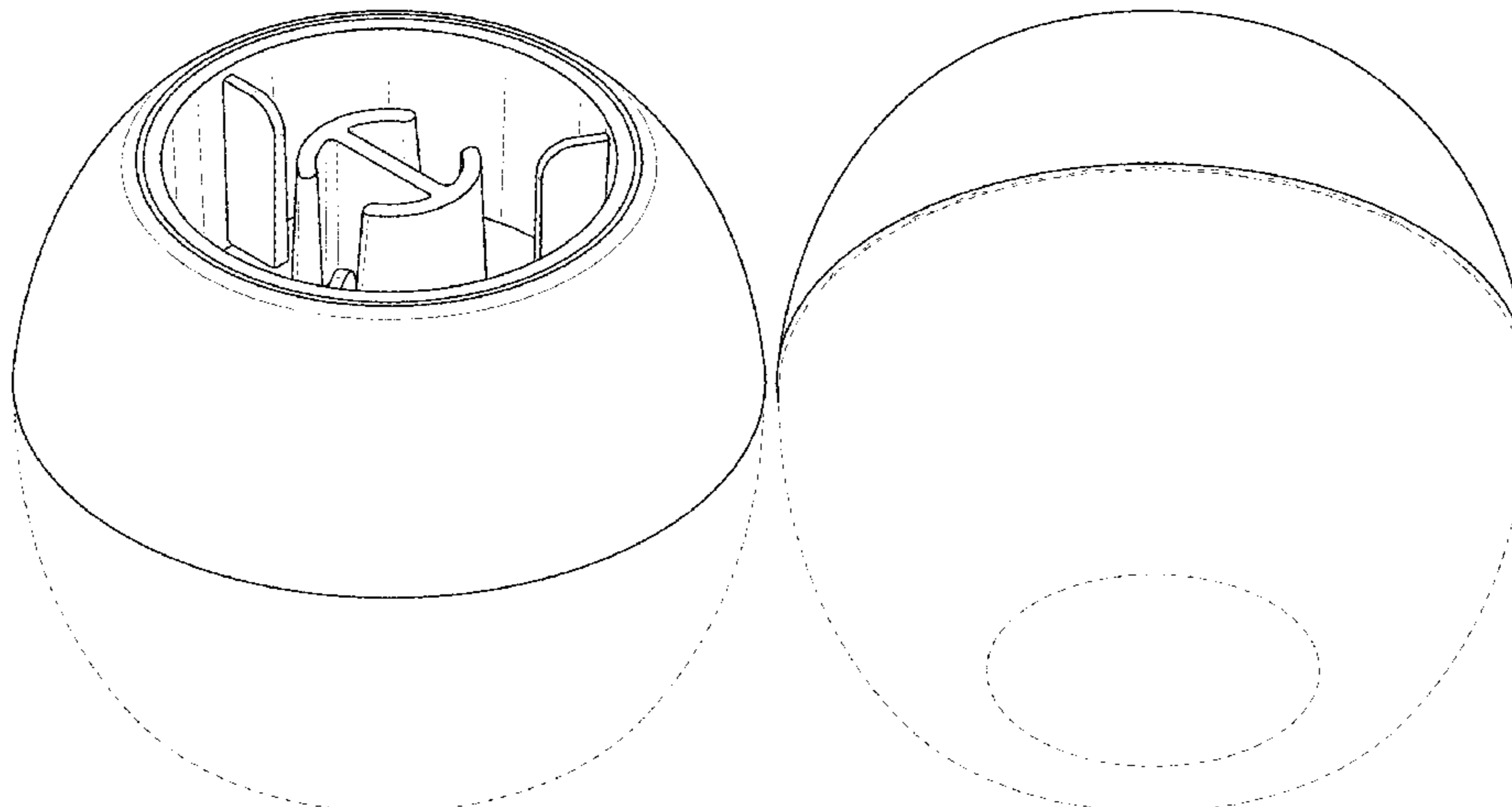
(57) **CLAIM**

The ornamental design for a container, as shown and
described.

DESCRIPTION

FIG. 1 is a top perspective view of a container showing the
claimed design;
FIG. 2 is a another top perspective view thereof;
FIG. 3 is a bottom perspective view thereof;
FIG. 4 is a front view thereof;
FIG. 5 is a rear view thereof;
FIG. 6 is a left side view thereof;
FIG. 7 is a right side view thereof;
FIG. 8 is a top view thereof; and,
FIG. 9 is a bottom view thereof.

(Continued)



The broken lines in the figures show portions of the container that form no part of the claimed design.

1 Claim, 6 Drawing Sheets

(58) Field of Classification Search

CPC F16L 25/01; F16L 17/10; A47J 31/407;
A47J 31/00; B67D 3/0019; A23L 2/56;
A01G 31/02; A01G 9/0293

See application file for complete search history.

(56) References Cited

U.S. PATENT DOCUMENTS

2,695,614 A * 11/1954 Lockhart B65D 25/082
206/221
D218,399 S * 8/1970 Campbell D9/504
3,542,230 A * 11/1970 Campbell B65D 21/022
215/10

D232,415 S 8/1974 Matsumoto
D232,915 S 9/1974 Becker
D247,610 S * 3/1978 Stanley D9/417
D262,192 S 12/1981 Wedge
D278,033 S 3/1985 Borkan et al.
D286,858 S * 11/1986 Giorgio D9/418
D297,799 S 9/1988 Hammer
D316,035 S 4/1991 Pepitone
D317,697 S * 6/1991 Lage D7/392.1
D340,625 S 10/1993 Wang
D366,398 S 1/1996 Alessi Anghini et al.
D397,922 S 9/1998 Gort-Barten
D402,889 S 12/1998 Bryce
D405,693 S 2/1999 Bretz et al.
D407,954 S 4/1999 Lehn
D410,364 S 6/1999 Ramirez et al.
D414,238 S 9/1999 Kupperman
6,105,799 A 8/2000 Takagawa
D437,188 S 2/2001 Thackray
6,409,035 B1 6/2002 Darr et al.
D464,263 S 10/2002 White et al.
D465,386 S 11/2002 Wang et al.
D473,108 S 4/2003 De Visser et al.
D473,379 S 4/2003 Moon
D473,431 S 4/2003 Schwamkrug
D480,935 S 10/2003 Farce
D506,648 S 6/2005 MacWilliam
D529,379 S 10/2006 Mengeu et al.
D534,826 S 1/2007 Jossern et al.
D567,021 S 4/2008 Bach et al.
D569,685 S 5/2008 Liu
D581,278 S 11/2008 Shibata et al.
D588,870 S 3/2009 Rasmussen
D598,706 S 8/2009 Neace et al.
D605,893 S 12/2009 Reid
D612,245 S * 3/2010 Canamasas D9/519
D626,415 S 11/2010 Kolano
D637,466 S 5/2011 Singleton et al.
D647,364 S 10/2011 Audette et al.
D650,677 S 12/2011 Wurster et al.
D654,147 S * 2/2012 Bell D23/209
D661,549 S 6/2012 Kemper et al.

D662,767 S 7/2012 Hotell et al.
D664,011 S 7/2012 Affonso
D668,150 S 10/2012 Crapser et al.
D676,717 S 2/2013 Ceder
8,365,913 B2 2/2013 Ceder
8,365,941 B2 2/2013 Mayer
D679,597 S 4/2013 Tamarindo
D688,531 S 8/2013 Ceder
8,579,149 B2 11/2013 Henke et al.
8,584,879 B2 11/2013 Melrose et al.
D699,522 S 2/2014 Wong
D702,492 S 4/2014 Marina et al.
D703,000 S 4/2014 Marina et al.
D703,487 S 4/2014 Marina et al.
D710,485 S * 8/2014 Nudo D23/262
D713,722 S 9/2014 Miller
D716,653 S 11/2014 Balembois
D717,651 S 11/2014 Marina et al.
D718,136 S 11/2014 Harrity
D734,985 S 7/2015 Furia
D735,038 S 7/2015 Tamarindo
D747,936 S 1/2016 Chitayat et al.
D756,173 S 5/2016 Decaris et al.
D761,628 S 7/2016 Chitayat et al.
D764,291 S * 8/2016 Lemke D9/445
D771,435 S 11/2016 Cutuli et al.
D771,490 S 11/2016 Junkel
D776,536 S 1/2017 Emoff et al.
D794,391 S 8/2017 Palin et al.
D795,644 S 8/2017 Cortadellas et al.
D803,060 S 11/2017 Marina et al.
D808,812 S 1/2018 Talsania et al.
D815,942 S 4/2018 Marina et al.
D826,718 S * 8/2018 The D9/529
D840,223 S 2/2019 Marina et al.
D858,289 S * 9/2019 Talsania D9/516
D858,292 S * 9/2019 Zhang D9/529
D858,297 S * 9/2019 Cortadellas D9/575
D871,832 S * 1/2020 Marina D7/392.1
D876,818 S * 3/2020 Lieberman D3/203.1
RE48,037 E * 6/2020 Marina B65D 41/18
D9/454
D887,272 S * 6/2020 Bhat D9/504
D889,972 S * 7/2020 Hesse D9/519
D891,924 S * 8/2020 Mitchell D9/454
D891,938 S * 8/2020 Weinrich D9/723
D892,622 S * 8/2020 Sanders D9/503
D893,244 S * 8/2020 Marina D7/392.1
2004/0124192 A1 7/2004 Teller
2007/0084821 A1 4/2007 Bysick et al.
2010/0055252 A1 3/2010 Marina et al.
2011/0166910 A1 7/2011 Marina et al.
2012/0183657 A1 7/2012 Marina et al.
2019/0375574 A1 * 12/2019 Anderson B67D 3/0019
2020/0107670 A1 * 4/2020 Rivera A47J 31/0642
2020/0207535 A1 * 7/2020 Bhat A47J 31/407

OTHER PUBLICATIONS

DrinkFinity: Announced Feb. 20, 2018 [online]. Site Visited [Sep. 23, 2020]. Available from Internet URL: <https://www.pepsico.com/news/press-release/new-drinkfinity-encourages-people-to-peel-pop-and-shake-to-create-personalized-b02202018>.*

* cited by examiner

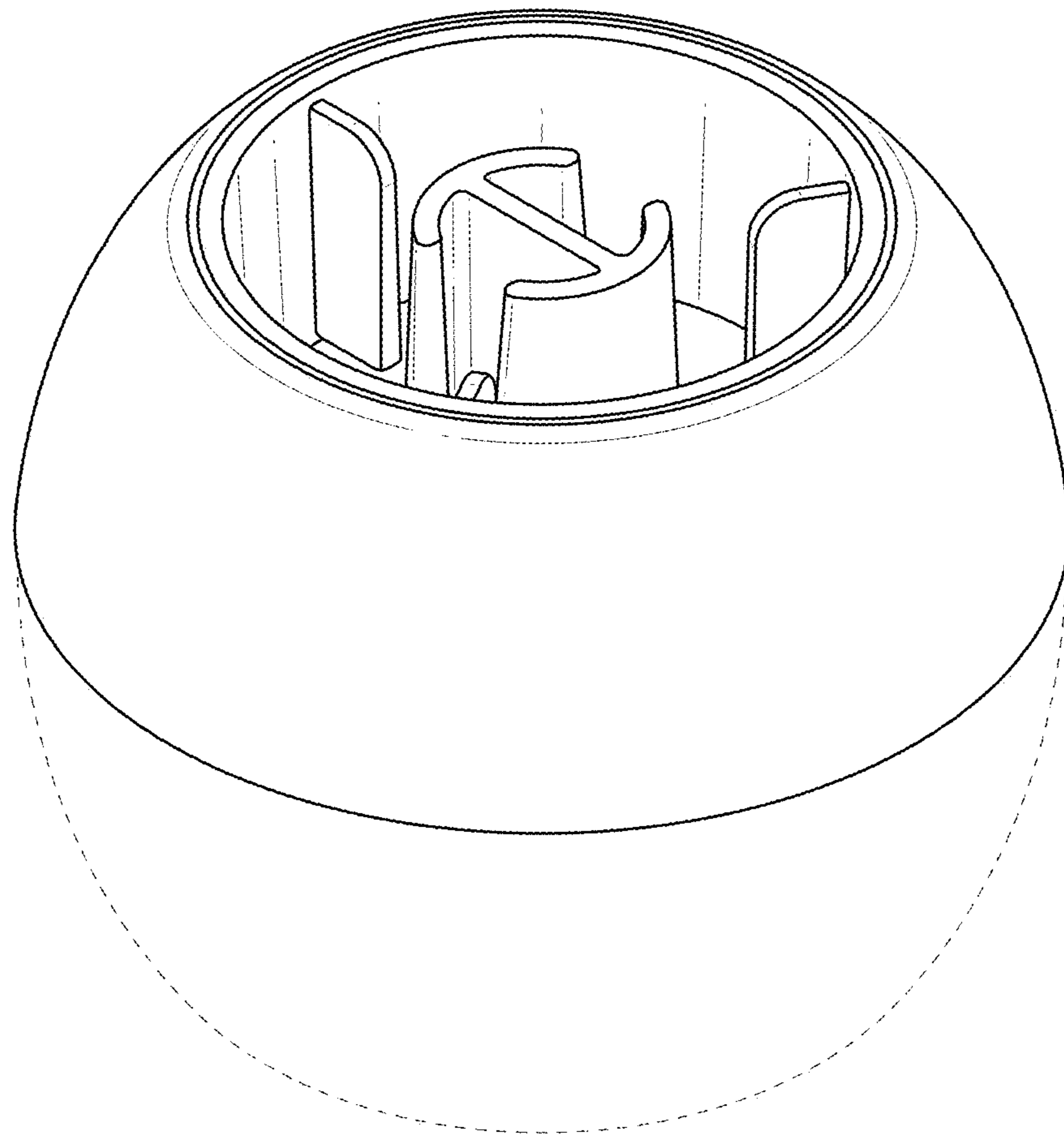


FIG. 1

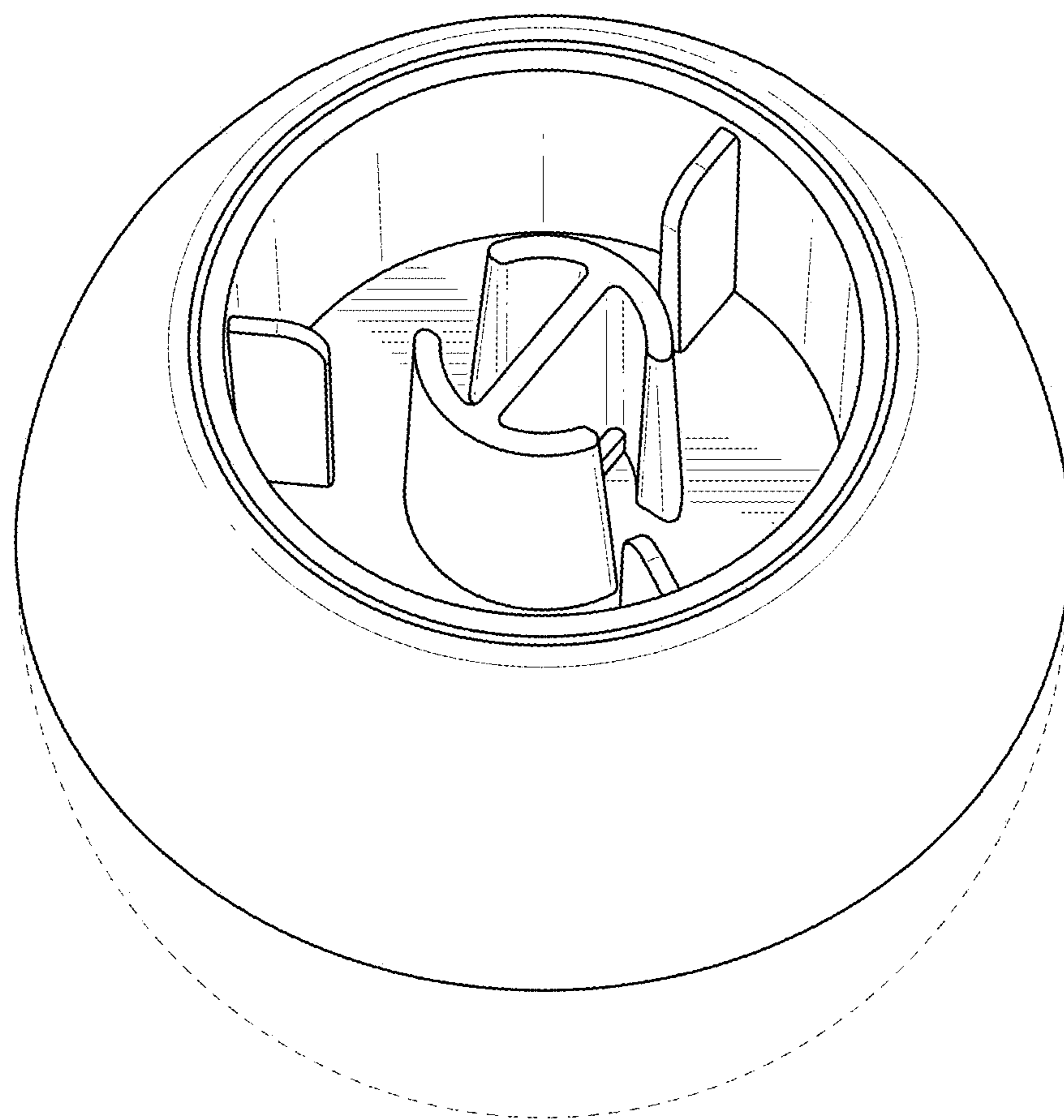


FIG. 2

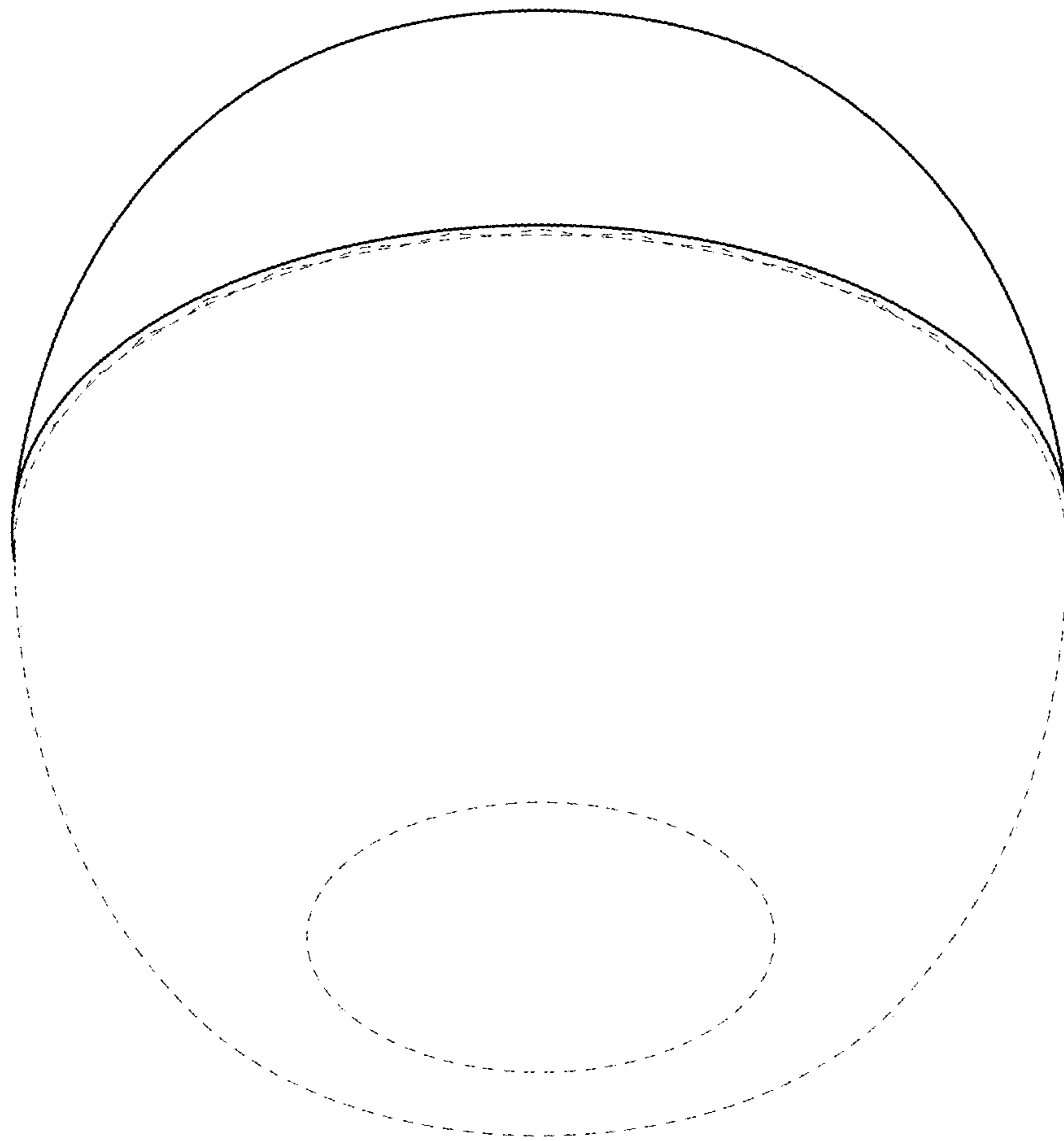


FIG. 3

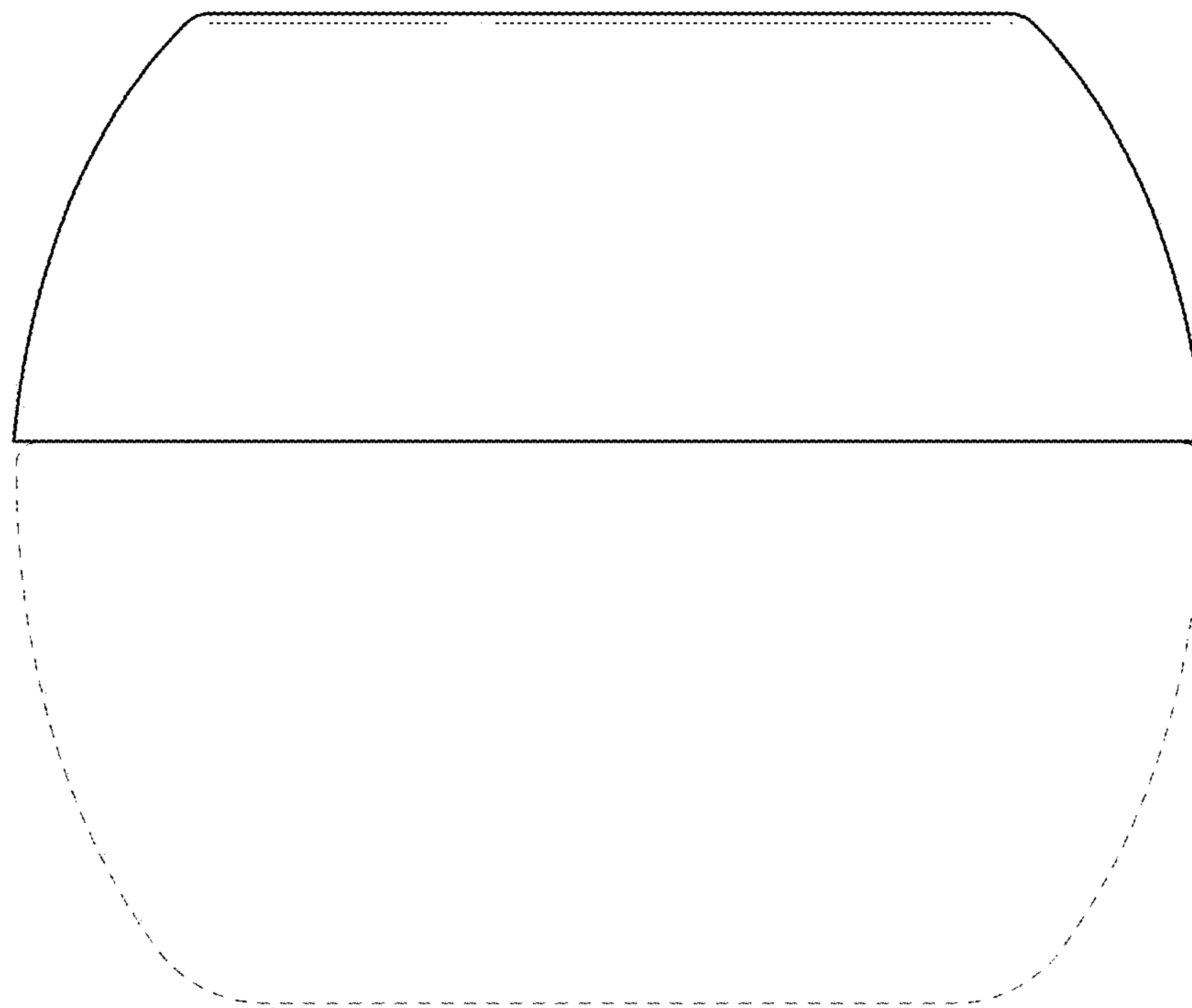


FIG. 4

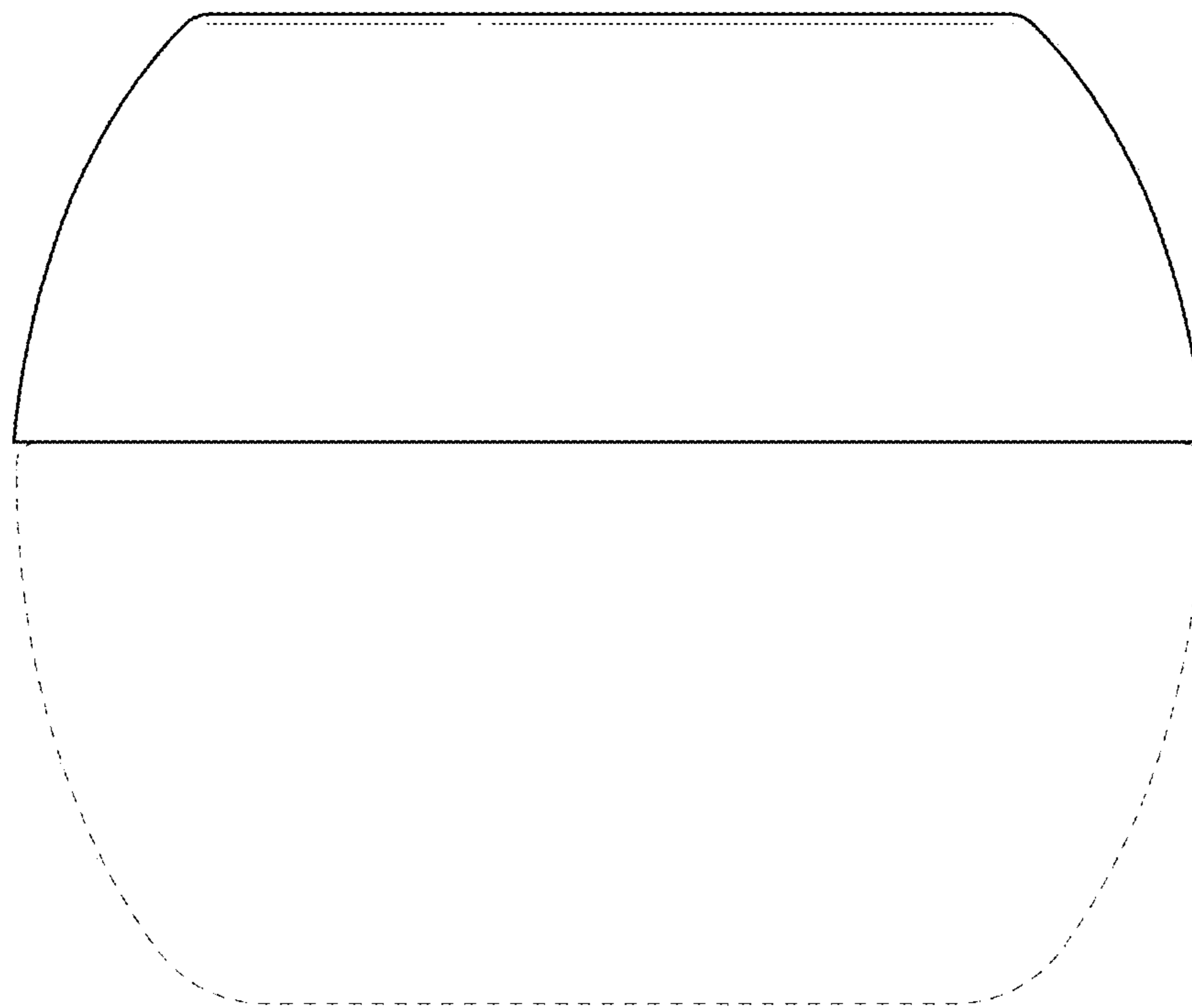


FIG. 5

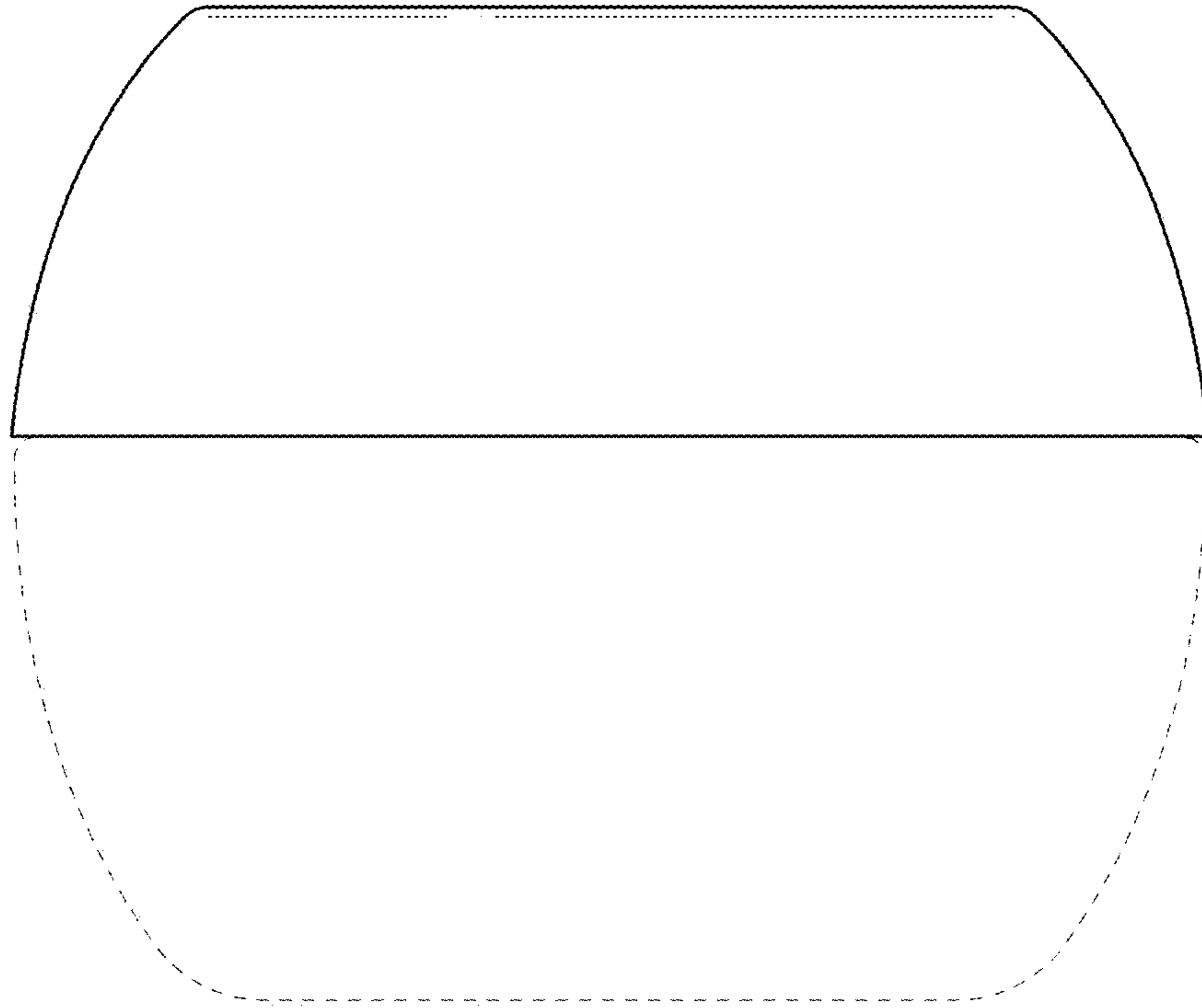


FIG. 6

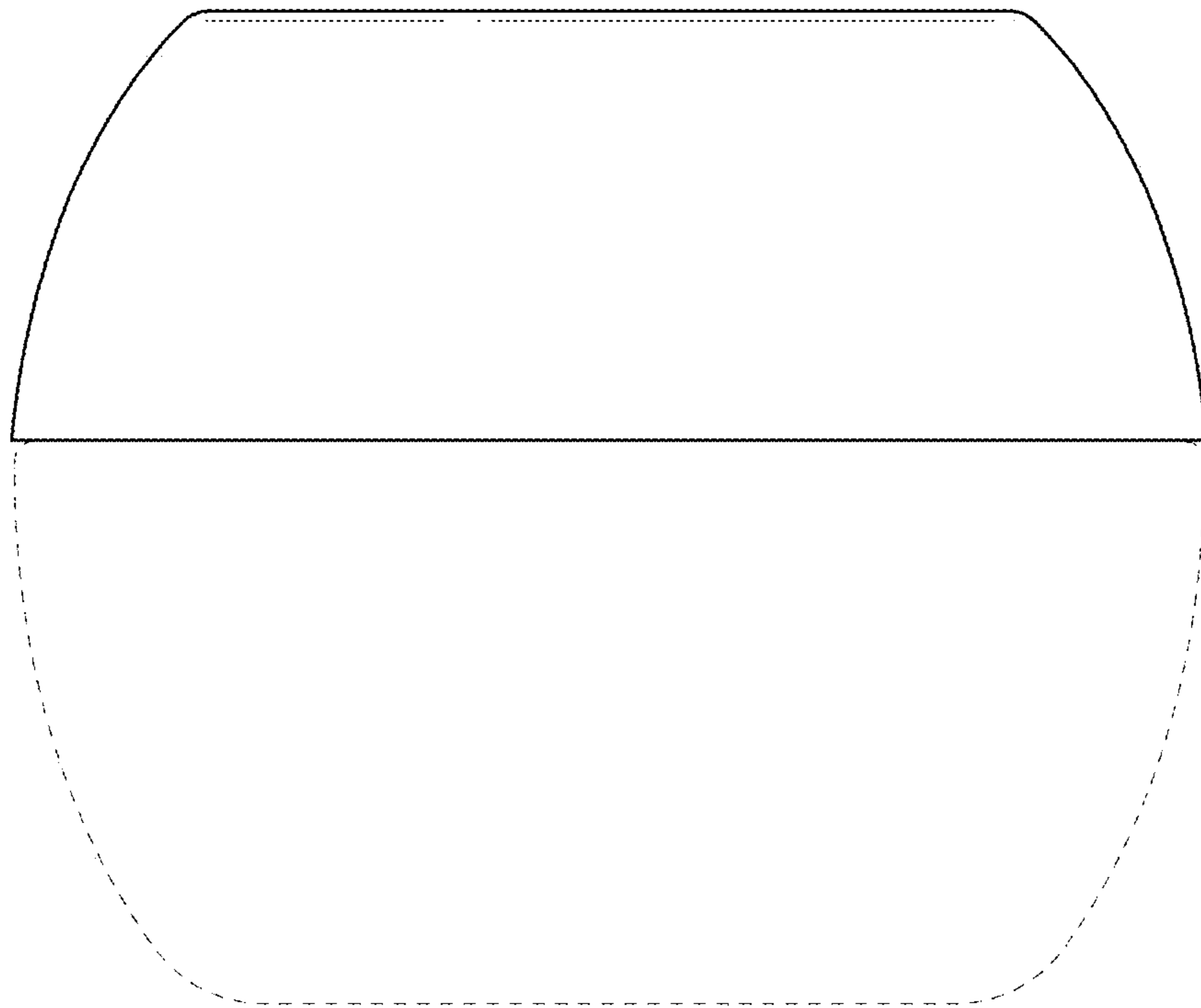


FIG. 7

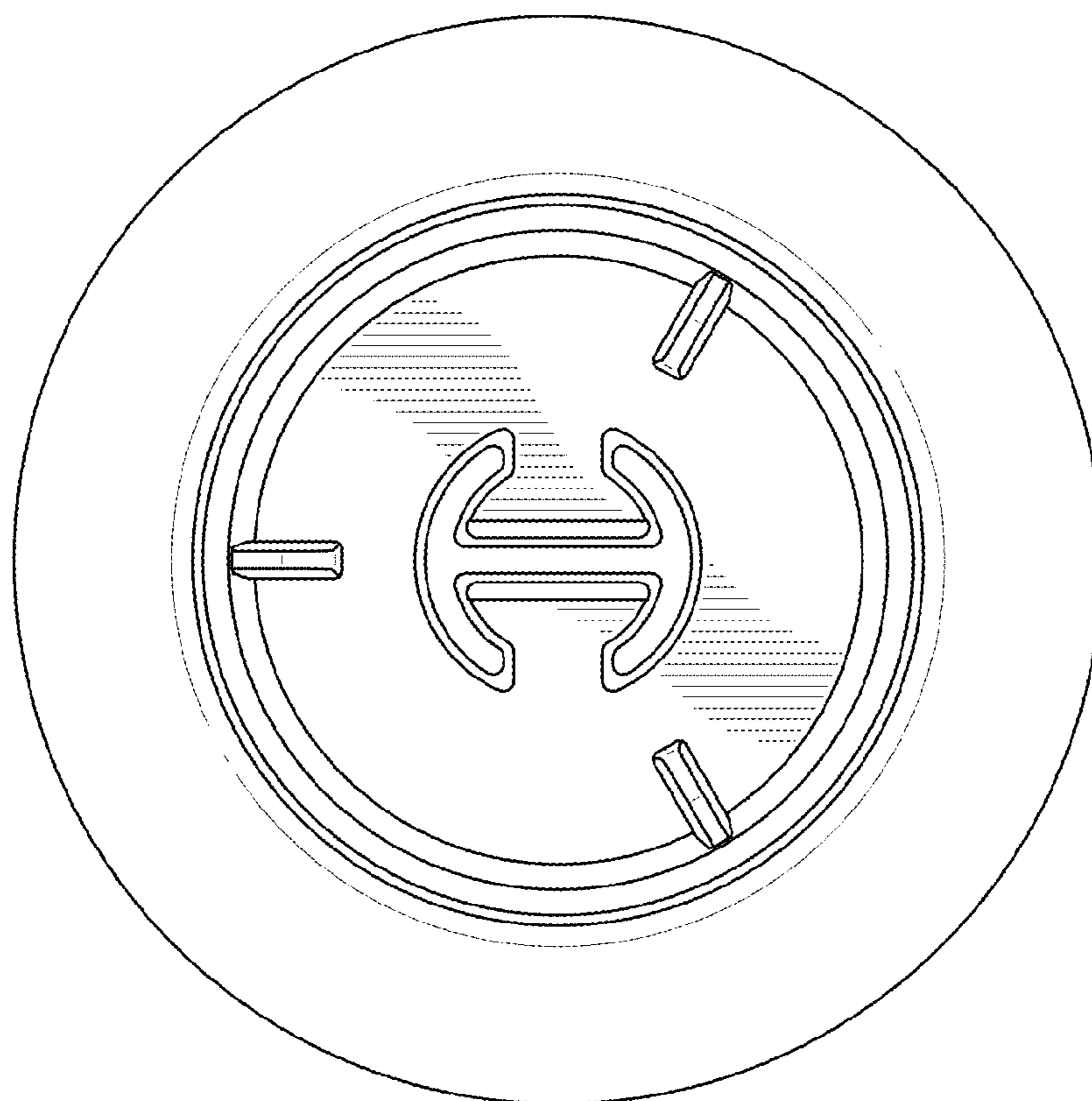


FIG. 8

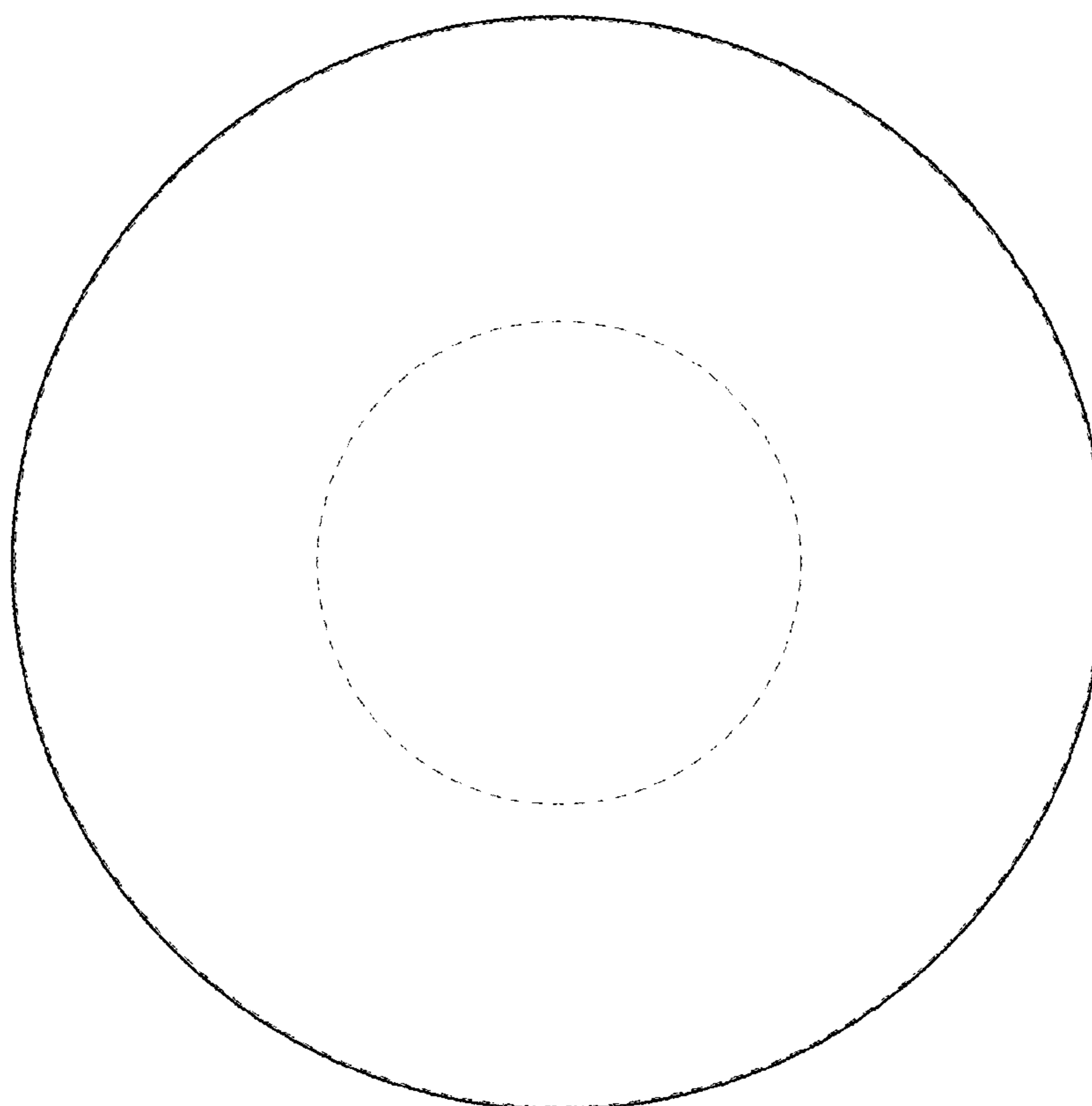


FIG. 9