



US00D904887S

(12) **United States Design Patent**
Habig et al.

(10) **Patent No.:** **US D904,887 S**

(45) **Date of Patent:** **** Dec. 15, 2020**

(54) **BOTTLE**

(71) Applicant: **TARGET BRANDS, INC.**,
Minneapolis, MN (US)

(72) Inventors: **Michael M. Habig**, Cincinnati, OH
(US); **Nicholas Cyr**, Minneapolis, MN
(US); **Richard P. Riedel**, Minneapolis,
MN (US); **Jeremy Berghoff**, Excelsior,
MN (US)

(73) Assignee: **TARGET BRANDS, INC.**,
Minneapolis, MN (US)

(**) Term: **15 Years**

(21) Appl. No.: **29/706,039**

(22) Filed: **Sep. 17, 2019**

(51) **LOC (12) Cl.** **09-01**

(52) **U.S. Cl.**
USPC **D9/526; D9/520**

(58) **Field of Classification Search**
USPC D9/434, 435, 453-454, 516, 523, 528,
D9/530, 543, 563, 571, 575, 682, 685,
D9/715, 719; D23/211.1, 211.2
CPC B65D 1/00; B65D 1/02; B65D 1/0223;
B65D 1/023; B65D 1/40; B65D 23/00;
B65D 23/10; B65D 23/102; B65D 25/00;
B65D 25/28; B65D 25/2882; B65D
25/2888; B65D 25/2894; B65D 25/2897;
B65D 2501/00; B65D 2501/0009; B65D
2501/0081; B05B 11/0037

See application file for complete search history.

(56) **References Cited**

U.S. PATENT DOCUMENTS

D210,114 S * 2/1968 Gantz et al. D9/523
D246,226 S * 11/1977 Avolio D9/523
D308,481 S 6/1990 Thompson
D326,610 S 6/1992 Kritzler

D391,489 S 3/1998 Feen
D401,857 S 12/1998 Collins et al.
D402,561 S 12/1998 Utrup et al.
D475,928 S 6/2003 Ferguson et al.
D481,637 S 11/2003 Desouza
D482,285 S 11/2003 Desouza
D487,873 S 3/2004 Desouza
D490,713 S 6/2004 Ferguson
D501,142 S 1/2005 Pattison
D553,990 S 10/2007 Muhlhausen
D561,592 S 2/2008 Muhlhausen

(Continued)

OTHER PUBLICATIONS

“Mrs. Meyer’s Toilet Cleaner”, printed from www.grove.co/catalog/product/mrs-meyers-toilet-cleaner?...Ecapv4hnTvq49x7LgC41STYJ-G4hEamaxoPoMe5VNuz2fS16MaAi1BEALw_wcB. publicly available at least as early as May 11, 2019 (10 pages).

(Continued)

Primary Examiner — Dana Meyrow

(74) *Attorney, Agent, or Firm* — JoAnn M. Seaton;
Griffiths & Seaton PLLC

(57) **CLAIM**

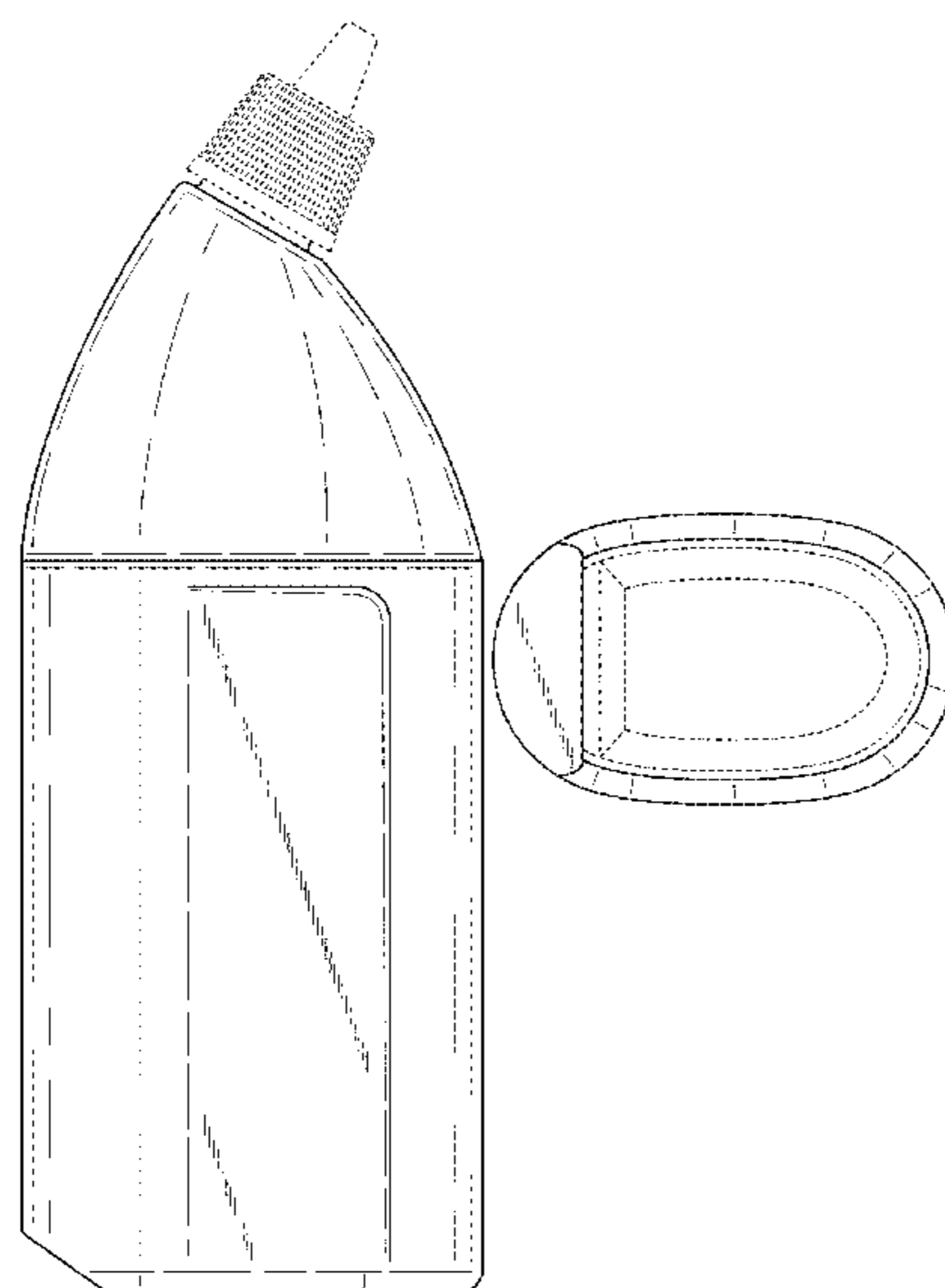
The ornamental design for a bottle, as shown and described.

DESCRIPTION

FIG. 1 is a top, front perspective view of a bottle, showing our new design;
FIG. 2 is a bottom, rear perspective view thereof;
FIG. 3 is a front view thereof;
FIG. 4 is a rear view thereof;
FIG. 5 is a right side view thereof;
FIG. 6 is a left side view thereof;
FIG. 7 is a top view thereof; and,
FIG. 8 is a bottom view thereof.

In the drawings, the broken lines depict unclaimed subject matter only and form no part of the claimed design.

1 Claim, 6 Drawing Sheets



(56)

References Cited

U.S. PATENT DOCUMENTS

D579,779 S 11/2008 Rosinski et al.
D585,285 S * 1/2009 Rosinski D9/443
D585,286 S 1/2009 Rosinski et al.
D585,287 S * 1/2009 Rosinski D9/526
D592,514 S 5/2009 Schwartz et al.
D653,953 S 2/2012 Wakeman et al.
D696,127 S 12/2013 Juna
D739,247 S 9/2015 McDonnell
D748,481 S 2/2016 Handy
D841,471 S 2/2019 Spang, Jr. et al.
D845,135 S 4/2019 Spang, Jr. et al.
D857,508 S * 8/2019 Uetsuki D9/526

OTHER PUBLICATIONS

“Scrubbing Bubbles Extra Power Toilet Bowl Cleaner, Rainshower, 24 Ounces”, printed from www.walmart.com/ip/Scrubbing-Bubbles-Extra-Power-Toilet07fttMzjMgs0vnNYWyd_BFzWuyayj0enTp1kBuAsRx_6OmwaAv2QEALw_wcB, publicly available at least as early as May 21, 2019 (7 pages).

* cited by examiner

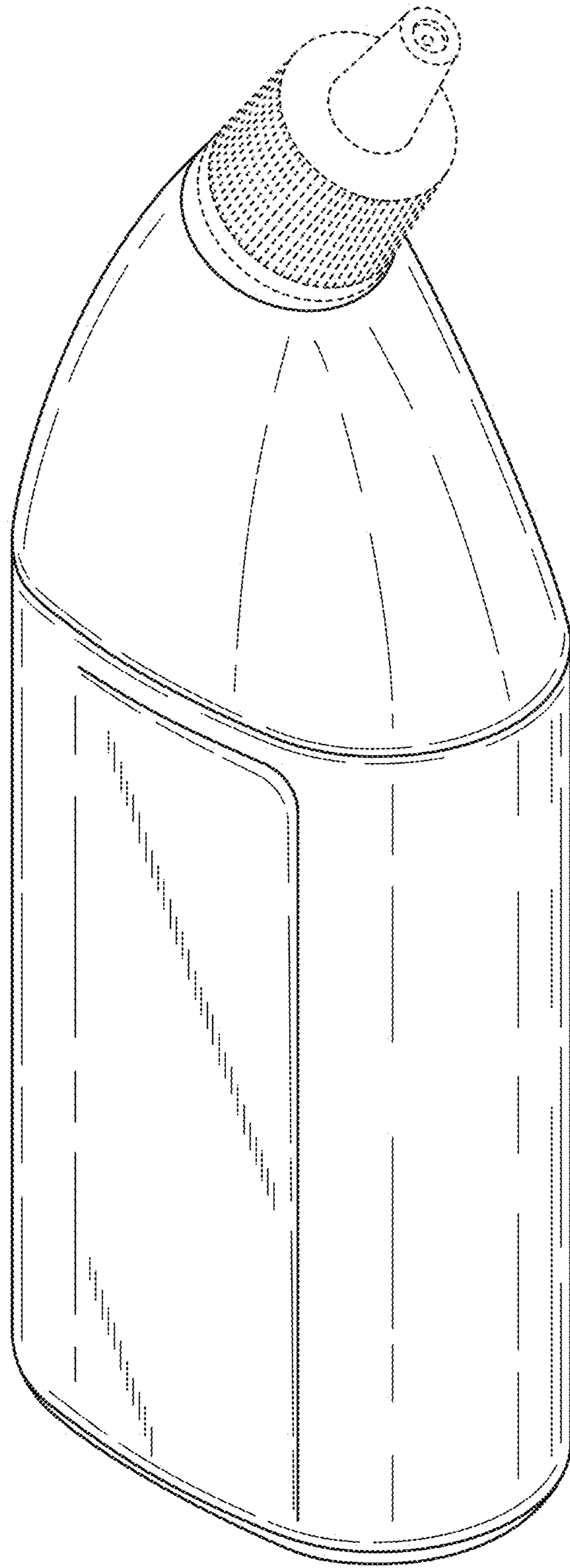


FIG. 1

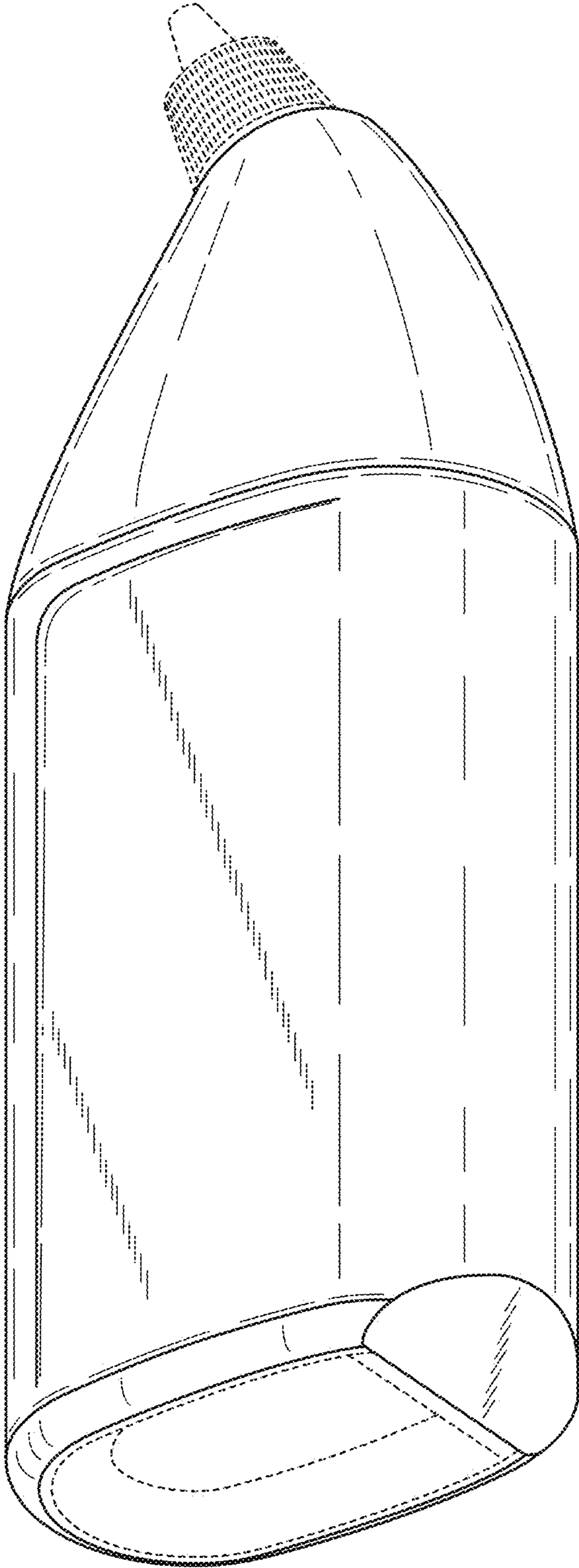


FIG. 2

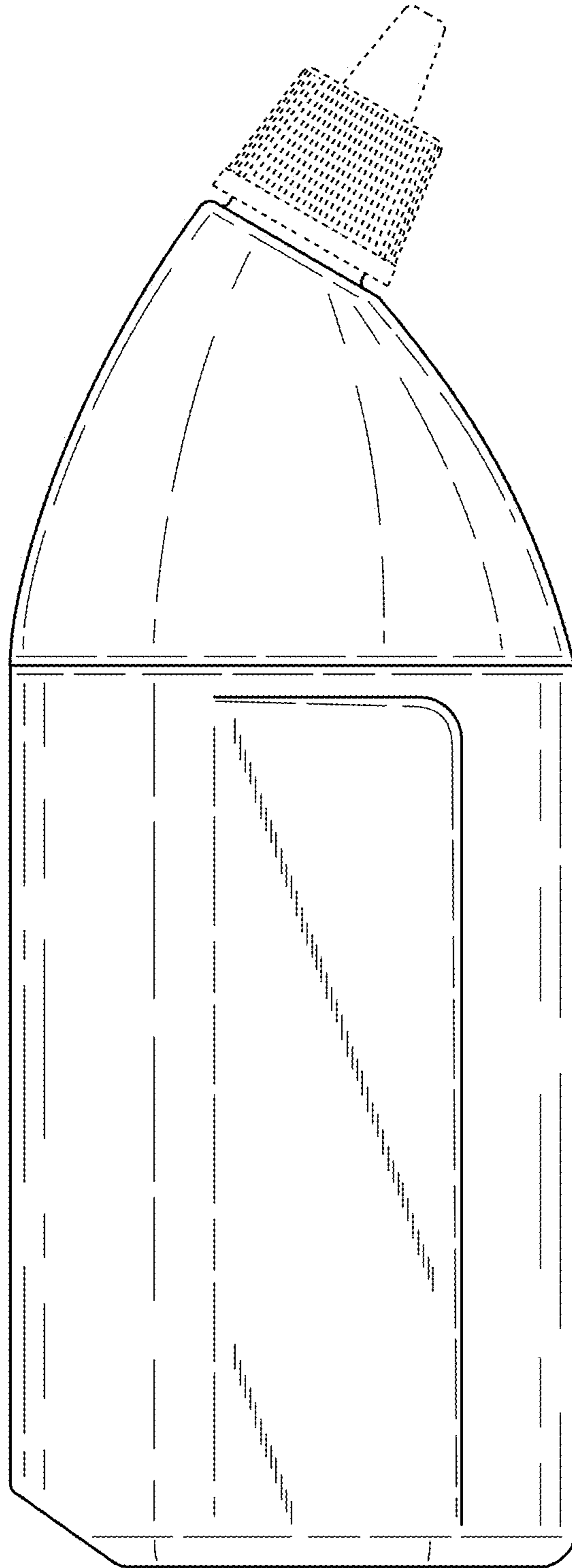


FIG. 3

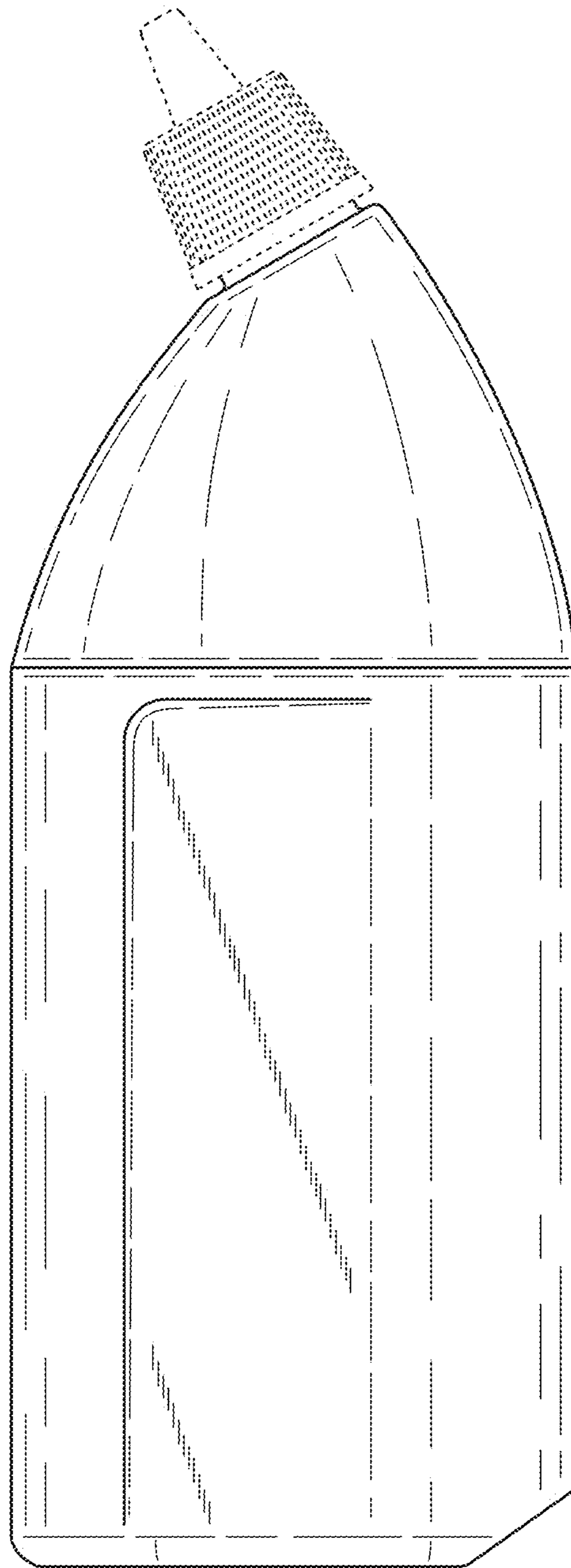


FIG. 4

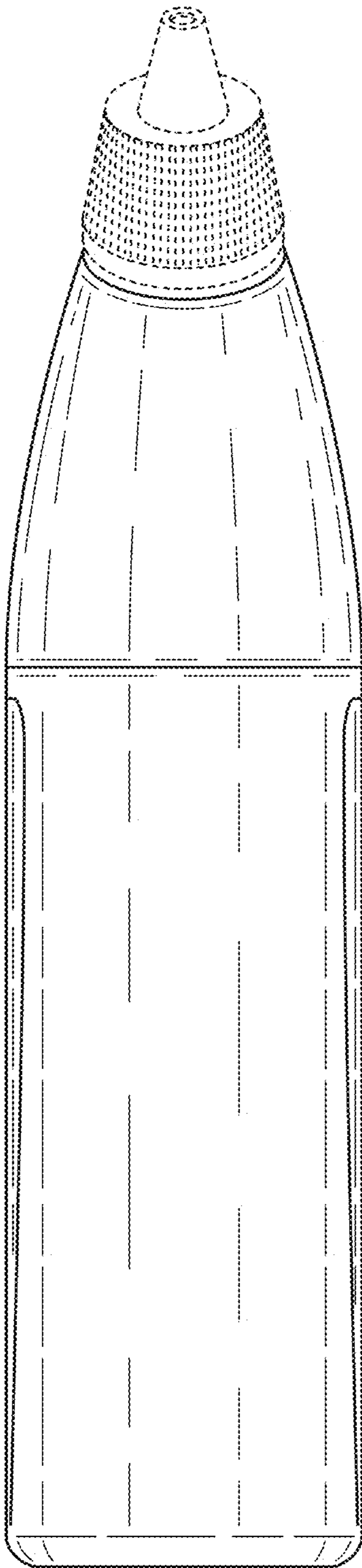


FIG. 5

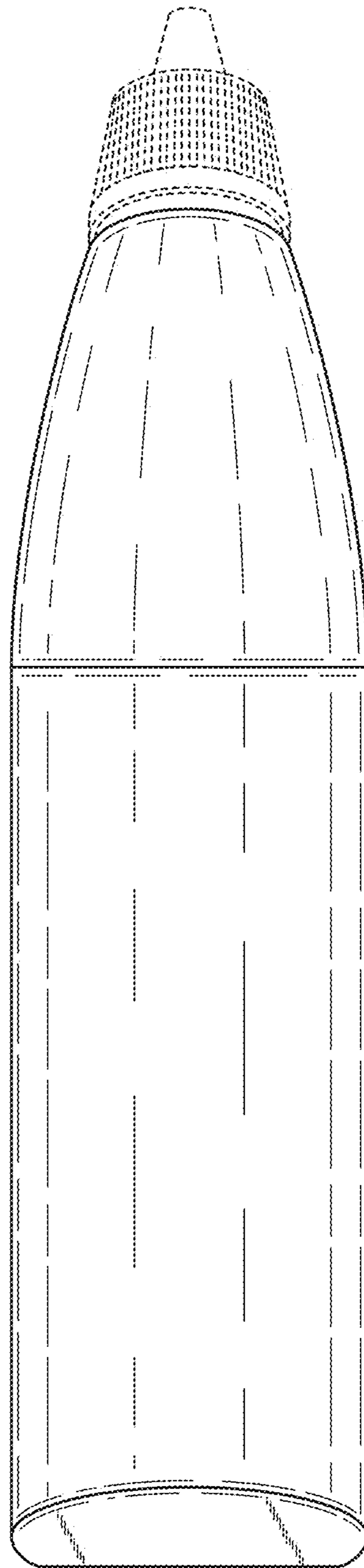


FIG. 6

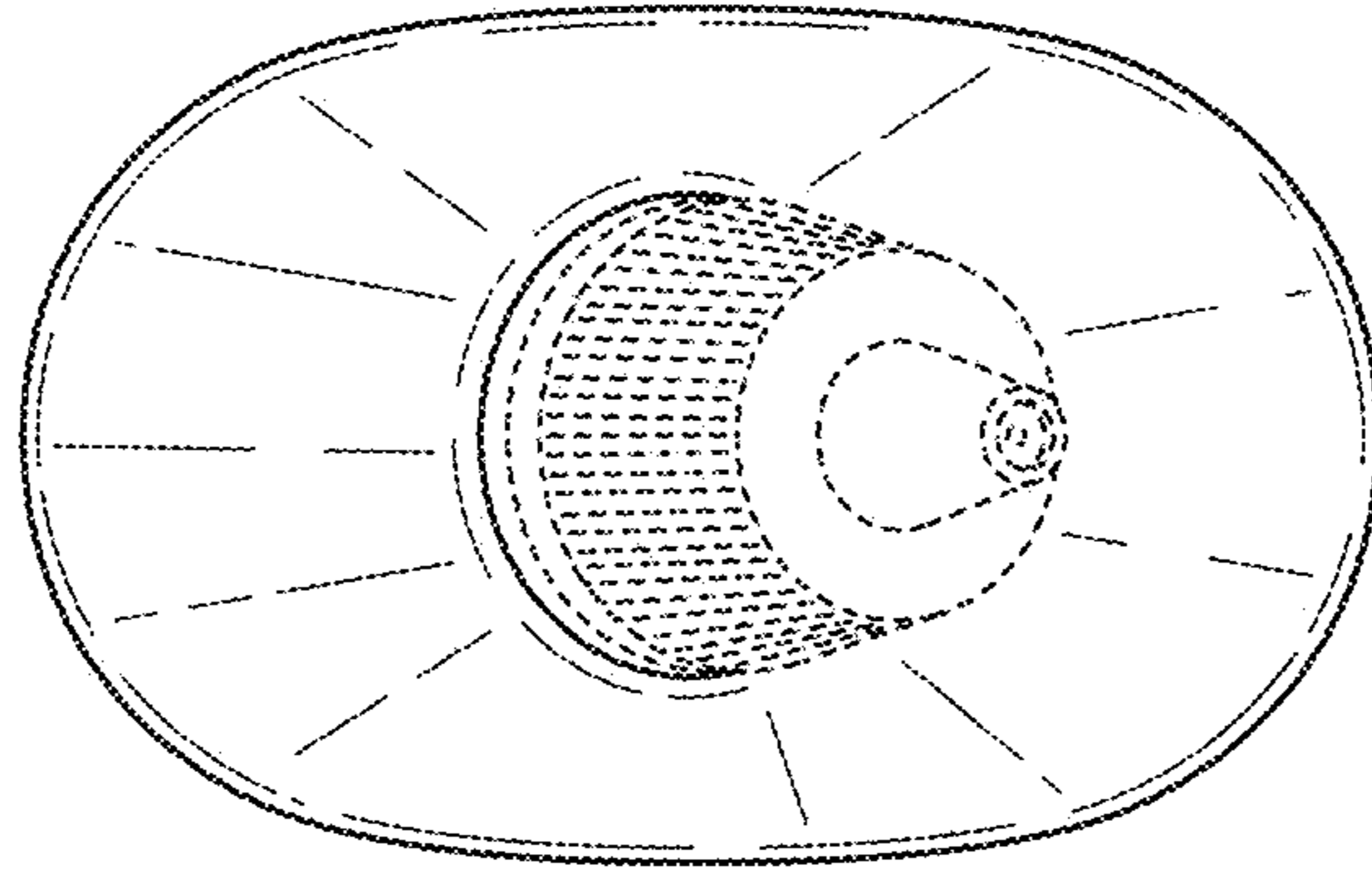


FIG. 7

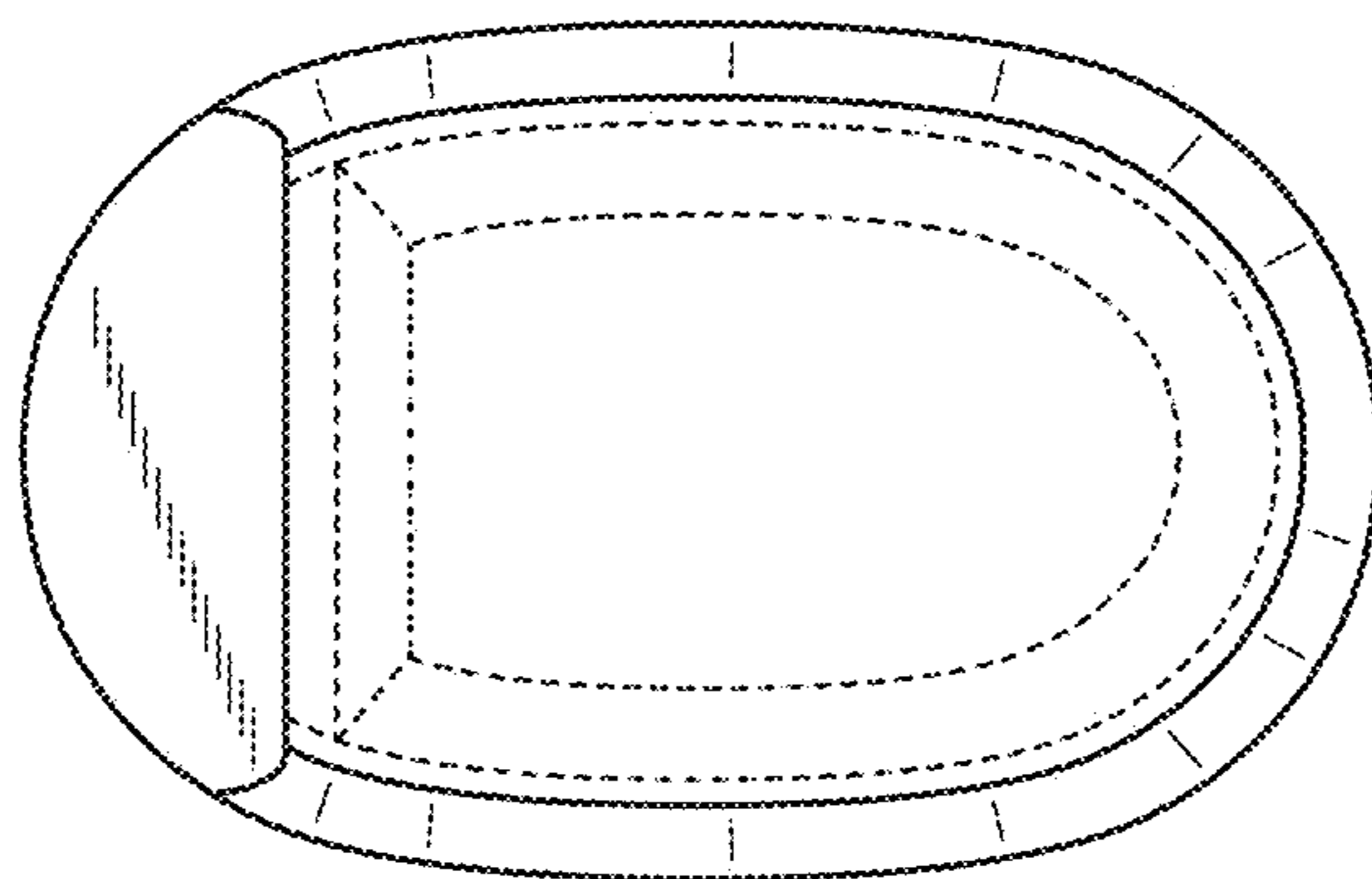


FIG. 8