



US00D904886S

(12) **United States Design Patent** (10) **Patent No.:** **US D904,886 S**  
**Yildirim** (45) **Date of Patent:** **\*\* Dec. 15, 2020**

- (54) **BOTTLE**
- (71) Applicant: **Conopco Inc.**, Englewood Cliffs, NJ (US)
- (72) Inventor: **Yunus Yildirim**, Hard (AT)
- (73) Assignee: **Conopco Inc.**, Englewood Cliffs, NJ (US)
- (\*\*) Term: **15 Years**
- (21) Appl. No.: **29/737,251**
- (22) Filed: **Jun. 8, 2020**
- (30) **Foreign Application Priority Data**  
Dec. 9, 2019 (EM) ..... 007362413-0001
- (51) **LOC (12) Cl.** ..... **09-01**
- (52) **U.S. Cl.**  
USPC ..... **D9/500**
- (58) **Field of Classification Search**  
USPC ..... D9/500, 502-505, 516, 530, 537-540, D9/544-545, 549, 557-558, 659, 715, D9/719; D24/224  
CPC ..... B65D 1/00; B65D 1/02; B65D 1/0223; B65D 1/023; B65D 2501/00; B65D 2501/0009  
See application file for complete search history.

- (56) **References Cited**  
**U.S. PATENT DOCUMENTS**  
D78,628 S \* 5/1929 Kart ..... D9/500  
D81,520 S \* 7/1930 Bromiley ..... D9/500  
D116,861 S \* 9/1939 Mas ..... D9/500  
D193,032 S \* 6/1962 Waser ..... D9/500  
D210,351 S \* 3/1968 Fuerst ..... D9/500  
D211,510 S \* 6/1968 Kieffer ..... D9/500  
D219,098 S \* 11/1970 Hills ..... D9/502

- D224,777 S \* 9/1972 Pettengill ..... D9/500
- D225,727 S \* 1/1973 Pettengill ..... D9/500
- D225,974 S \* 1/1973 Barth ..... D9/500
- D228,880 S \* 10/1973 Strand et al. .... D9/538
- D229,482 S \* 12/1973 Suhard ..... D9/500
- D235,736 S \* 7/1975 Strand ..... D9/502
- D247,847 S \* 5/1978 Kretz ..... D9/500
- D254,840 S \* 4/1980 Aldrich, III ..... D9/504
- D274,501 S \* 7/1984 Campbell ..... D9/500
- D290,228 S \* 6/1987 Conrad ..... D9/500
- D292,375 S \* 10/1987 Jacobs ..... D9/500
- D295,260 S \* 4/1988 Goettner ..... D9/500
- D299,115 S \* 12/1988 Wetherell, Jr. .... D9/500
- D304,683 S \* 11/1989 Hofer ..... D9/538
- D335,084 S \* 4/1993 Snyder ..... D9/502
- D379,307 S \* 5/1997 Marriage ..... D9/503
- D379,760 S \* 6/1997 Zogg ..... D9/502
- D379,761 S \* 6/1997 Zogg ..... D9/502
- D379,762 S \* 6/1997 Zogg ..... D9/502

(Continued)

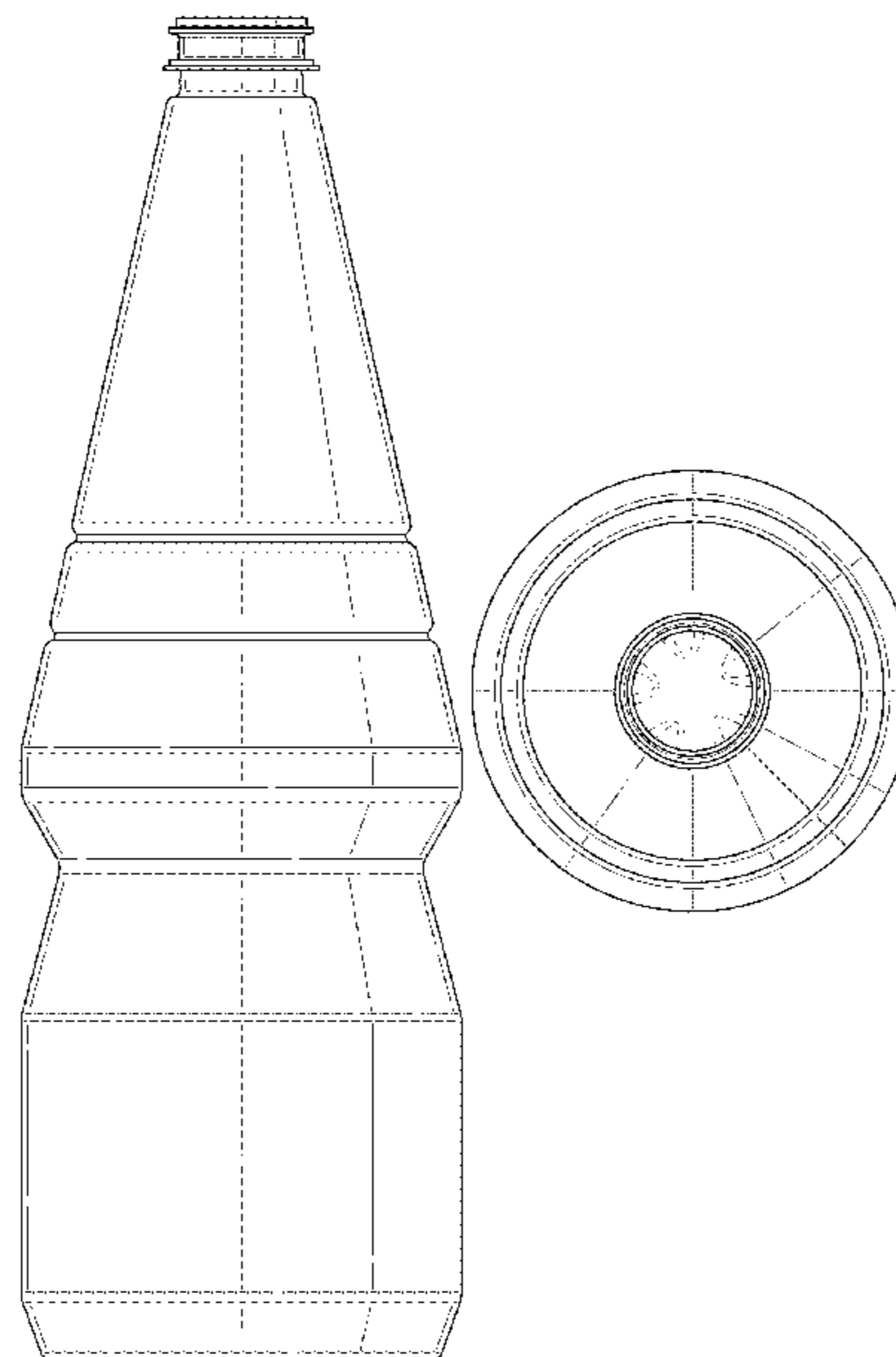
*Primary Examiner* — Dana Meyrow  
(74) *Attorney, Agent, or Firm* — N.V. Nederlandsch Octrooibureau; Catherine A. Shultz; Tamara C. Stegmann

(57) **CLAIM**  
The ornamental design for a bottle, as shown and described.

**DESCRIPTION**

FIG. 1 is a perspective view of a bottle showing our new design;  
FIG. 2 is a front elevational view thereof;  
FIG. 3 is a rear elevational view thereof;  
FIG. 4 is a an elevational view of the left side thereof,  
FIG. 5 is a an elevational view of the right side thereof,  
FIG. 6 is a top plan view thereof; and,  
FIG. 7 is a bottom plan view thereof.  
Broken lines show environmental structure and are optional parts of the claimed design. The broken lines in the drawings illustrate the portions of the bottle that form no part of the claim.

**1 Claim, 6 Drawing Sheets**



(56)

**References Cited**

U.S. PATENT DOCUMENTS

D384,889 S *	10/1997	Nasrallah .....	D9/500
D536,616 S *	2/2007	Rubin .....	D9/500
D586,660 S *	2/2009	Morabito .....	D9/552
D604,178 S *	11/2009	Bowyer .....	D9/500
D740,120 S *	10/2015	Ghouyel .....	D9/500
D763,085 S *	8/2016	Fleischhacker .....	D9/500
D866,332 S *	11/2019	Laib .....	D9/500
D887,211 S *	6/2020	Sitwell .....	D7/507
D887,213 S *	6/2020	Sitwell .....	D7/523
D888,557 S *	6/2020	Harris .....	D9/500

\* cited by examiner

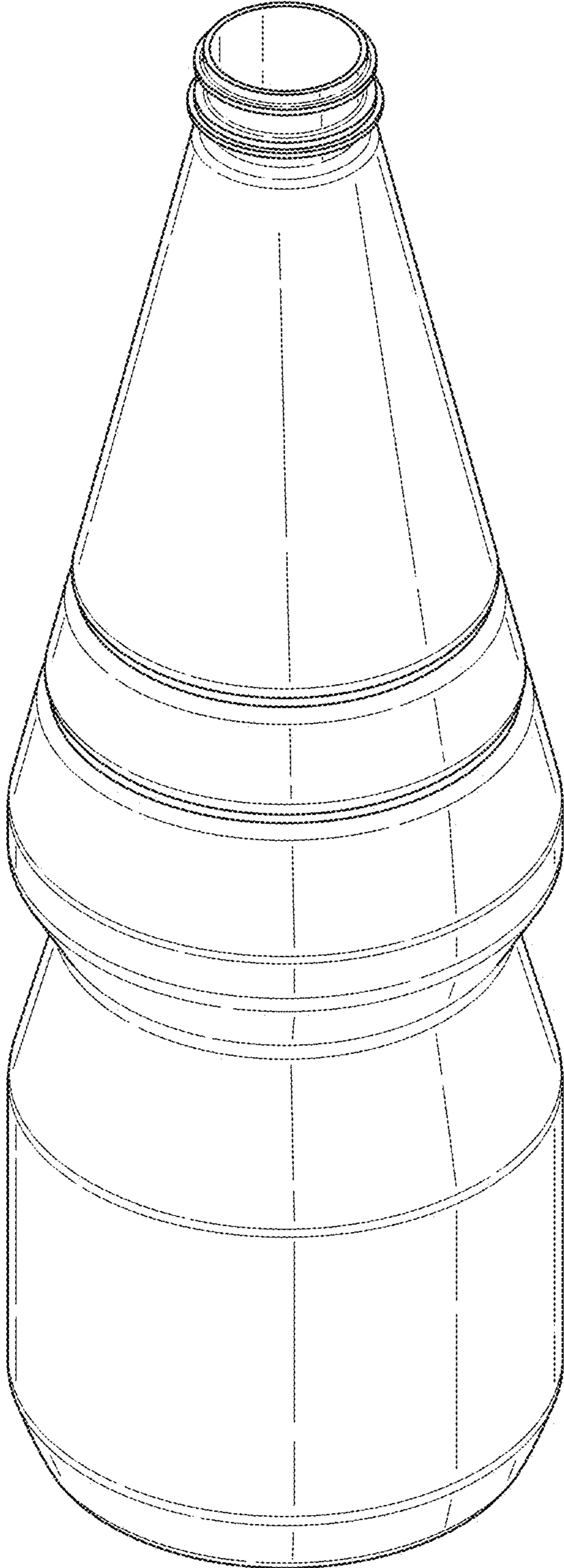


Fig. 1

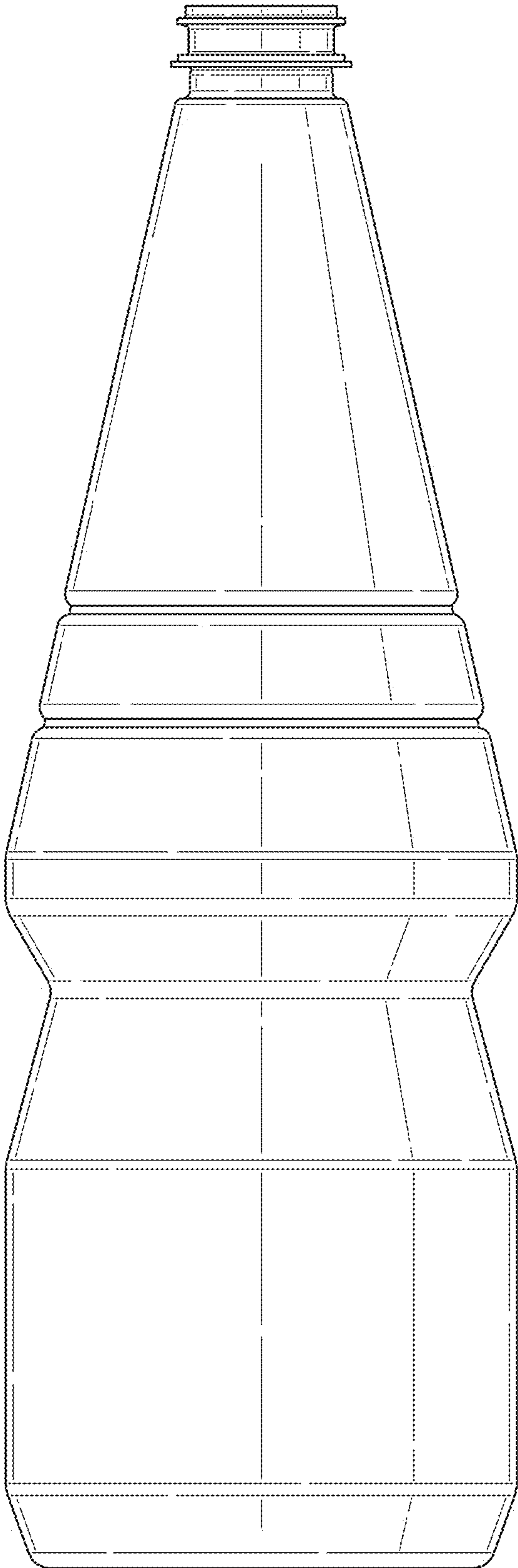


Fig. 2

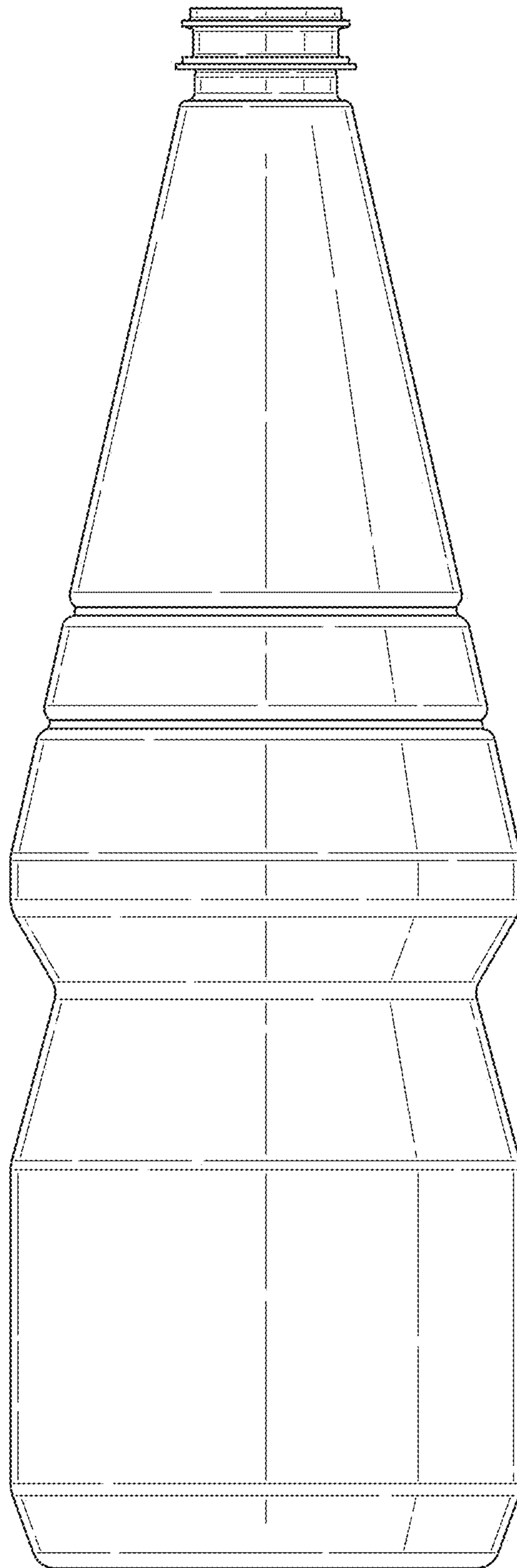


Fig. 3

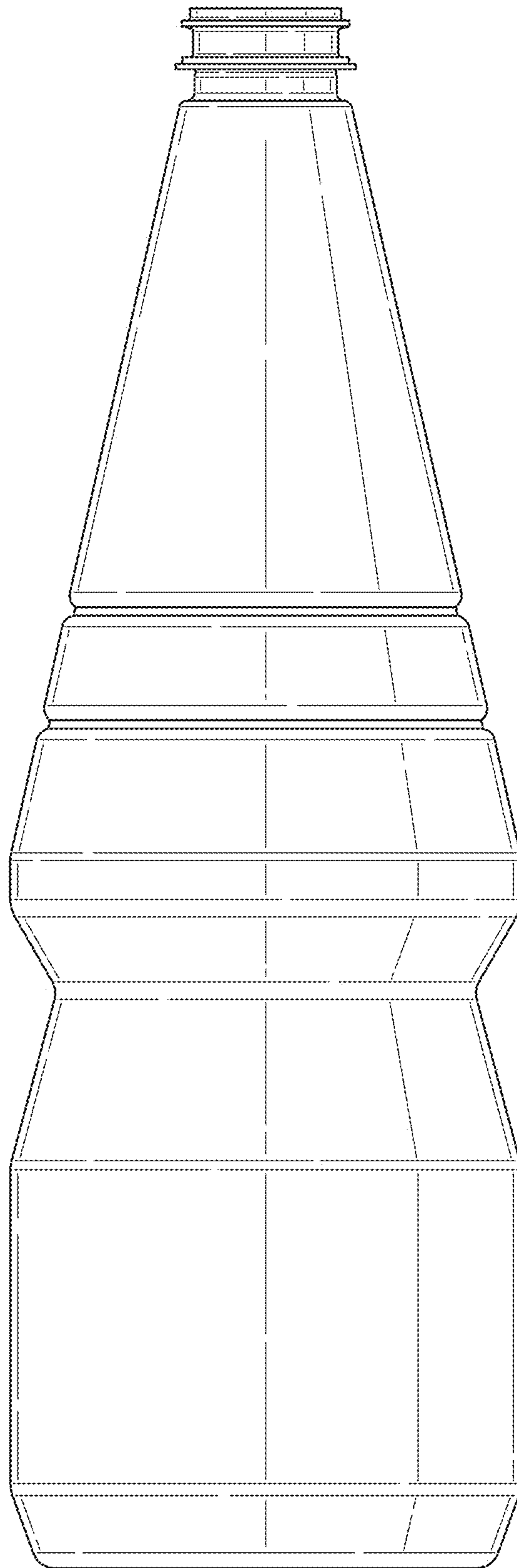


Fig. 4

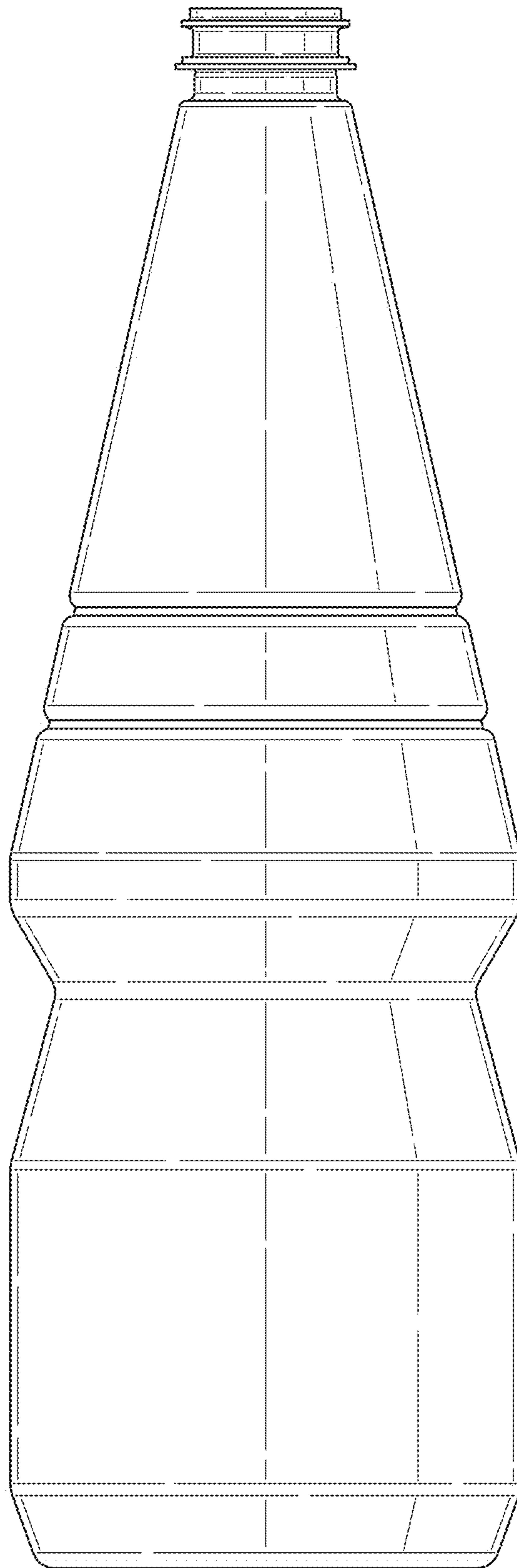


Fig. 5

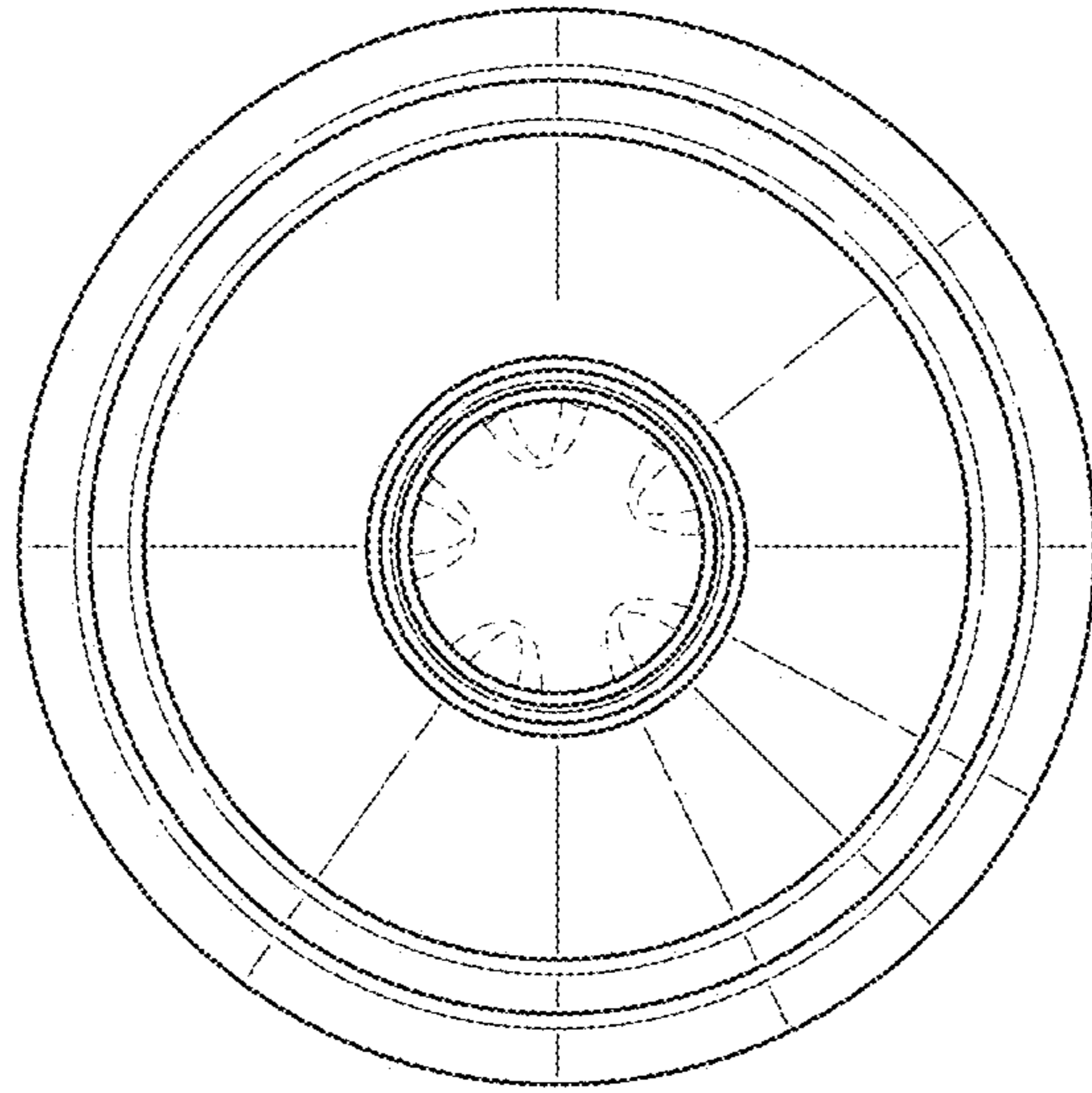


Fig. 6

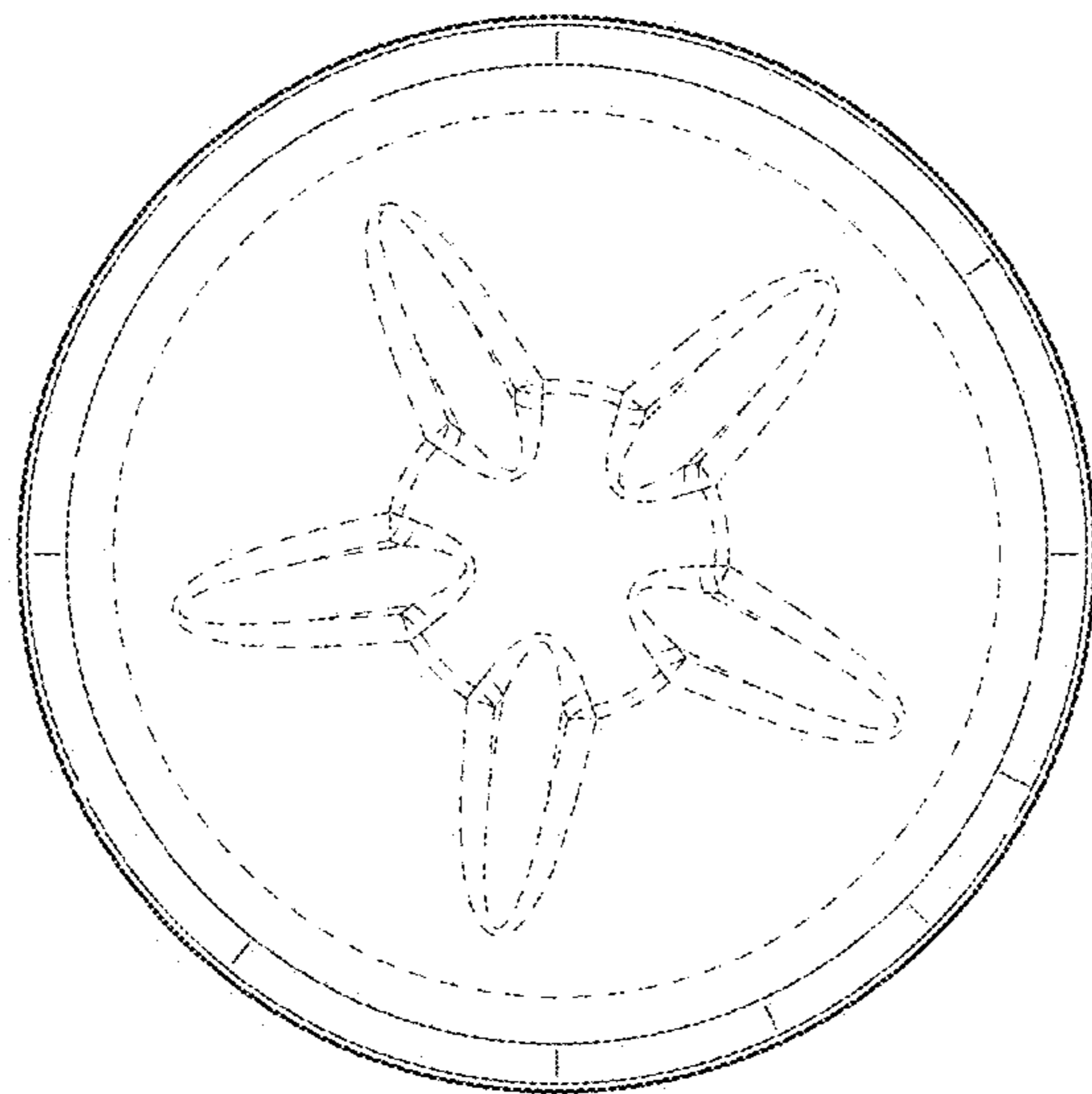


Fig. 7