



US00D904884S

(12) **United States Design Patent**
Wohlgenannt

(10) **Patent No.:** **US D904,884 S**

(45) **Date of Patent:** **** Dec. 15, 2020**

- (54) **CLOSURE CAP**
- (71) Applicant: **Capartis AG**, Schaffhausen (CH)
- (72) Inventor: **Herbert Wohlgenannt**, Schaffhausen (CH)
- (**) Term: **15 Years**
- (21) Appl. No.: **35/507,324**
- (22) Filed: **Feb. 11, 2019**
- (80) **Hague Agreement Data**
 Int. Filing Date: **Feb. 11, 2019**
 Int. Reg. No.: **DM/202429**
 Int. Reg. Date: **Feb. 11, 2019**
 Int. Reg. Pub. Date: **Aug. 30, 2019**
- (51) **LOC (12) Cl.** **09-07**
- (52) **U.S. Cl.**
 USPC **D9/445; D9/447**
- (58) **Field of Classification Search**
 USPC D9/428, 429, 434, 435, 442, 443,
 D9/445-450, 453-456, 499, 682, 684,
 D9/685, 726; D7/387, 392, 392.1, 393,
 D7/396.2, 396.3
 CPC .. A61J 1/00; A61J 1/1412; B65D 1/00; B65D
 1/02; B65D 1/10; B65D 1/46; B65D
 2585/56; B65D 2585/545; B65D 41/00;
 B65D 41/38; B65D 41/56; B65D 41/62
 See application file for complete search history.

D580,264 S *	11/2008	Szasz	D9/447
D581,790 S *	12/2008	Hyde	D9/449
D592,057 S *	5/2009	Guerin	D9/449
D625,605 S *	10/2010	Bardet	D9/449
D630,093 S *	1/2011	Bardet	D9/438
D673,041 S *	12/2012	Antier	D9/443
D738,737 S *	9/2015	McCay	D9/449
D747,201 S *	1/2016	Pellerin	D9/449
D775,950 S *	1/2017	Rognard	D9/449
D780,578 S *	3/2017	Lane	D9/445
D793,804 S *	8/2017	Herbst	D7/392.1
D837,650 S *	1/2019	Rognard	D9/449
2007/0284392 A1 *	12/2007	Kaess	B65D 47/0804 222/153.05
2011/0000928 A1 *	1/2011	Antier	B65D 47/0857 220/801

* cited by examiner

Primary Examiner — Bao-Yen T Nguyen

(57) **CLAIM**

The ornamental design for a closure cap, as shown and described.

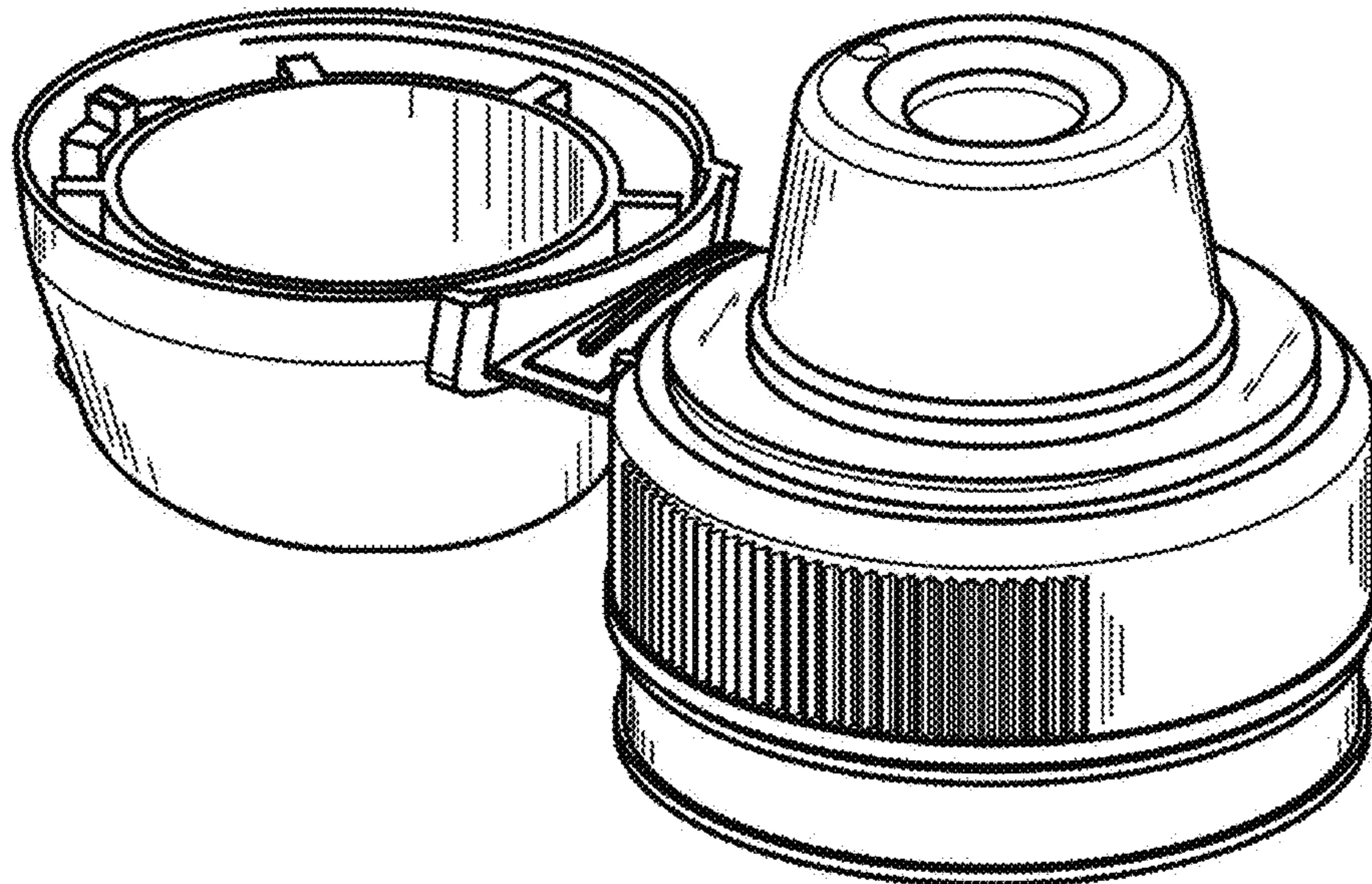
DESCRIPTION

1. Closure cap

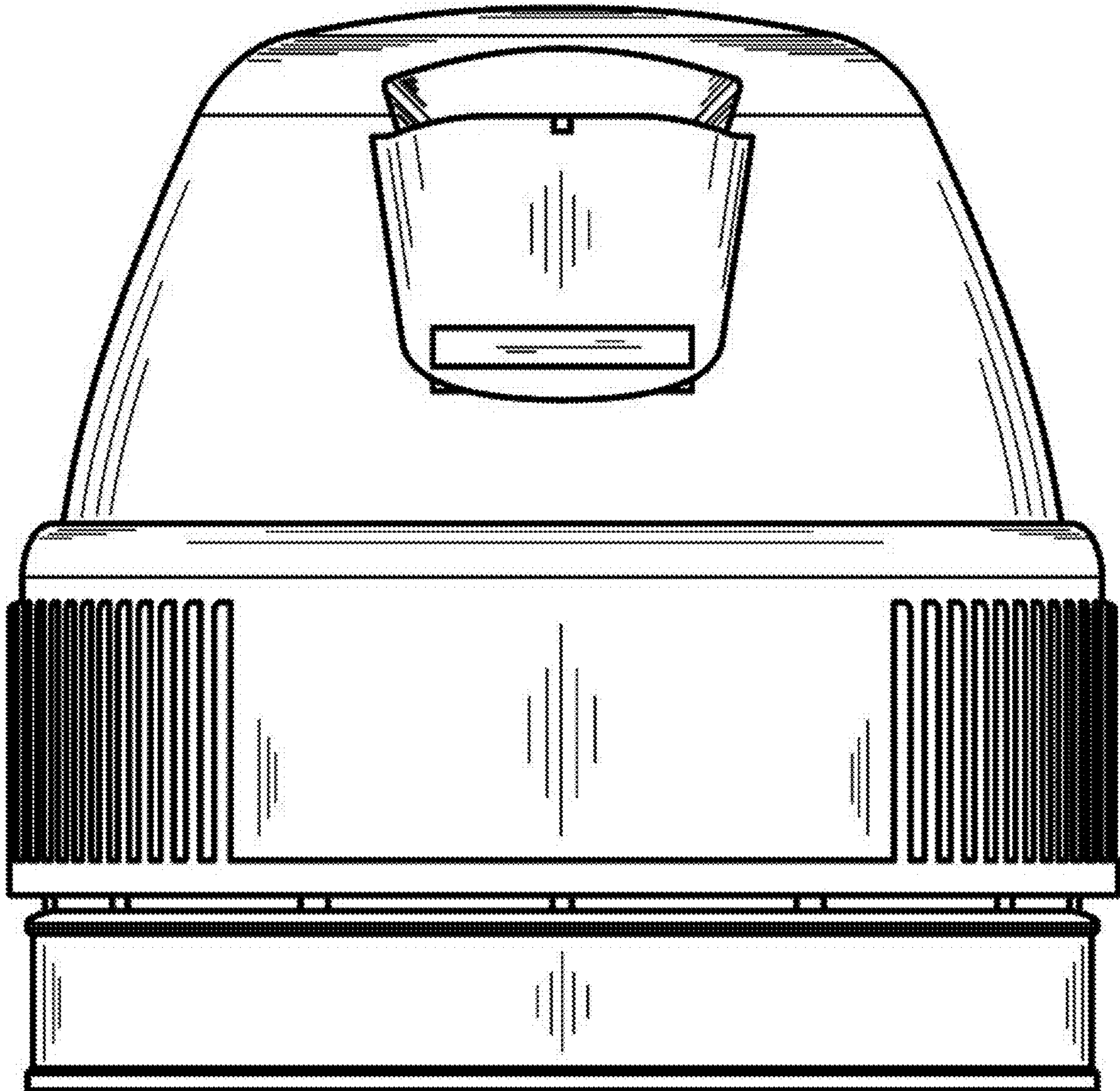
Fig. 1.1 is a front elevation view of the closure cap in a closed configuration; Fig. 1.2 is a back elevation view thereof; Fig. 1.3 is a left side elevation view thereof; Fig. 1.4 is a right side elevation view thereof; Fig. 1.5 is a top plan view thereof; Fig. 1.6 is a bottom plan view thereof; Fig. 1.7 is a top, front, left side perspective view thereof; and Fig. 1.8 is a top, back, right side perspective view thereof. Fig. 1.9 is a front elevation view of the closure cap in an opened configuration; Fig. 1.10 is a back elevation view thereof; Fig. 1.11 is a left side elevation view thereof; Fig. 1.12 is a right side elevation view thereof; Fig. 1.13 is a top plan view thereof; Fig. 1.14 is a bottom plan view thereof; Fig. 1.15 is a top, front, left side perspective view thereof; and Fig. 1.16 is a top, back, right side perspective view thereof.

1 Claim, 16 Drawing Sheets

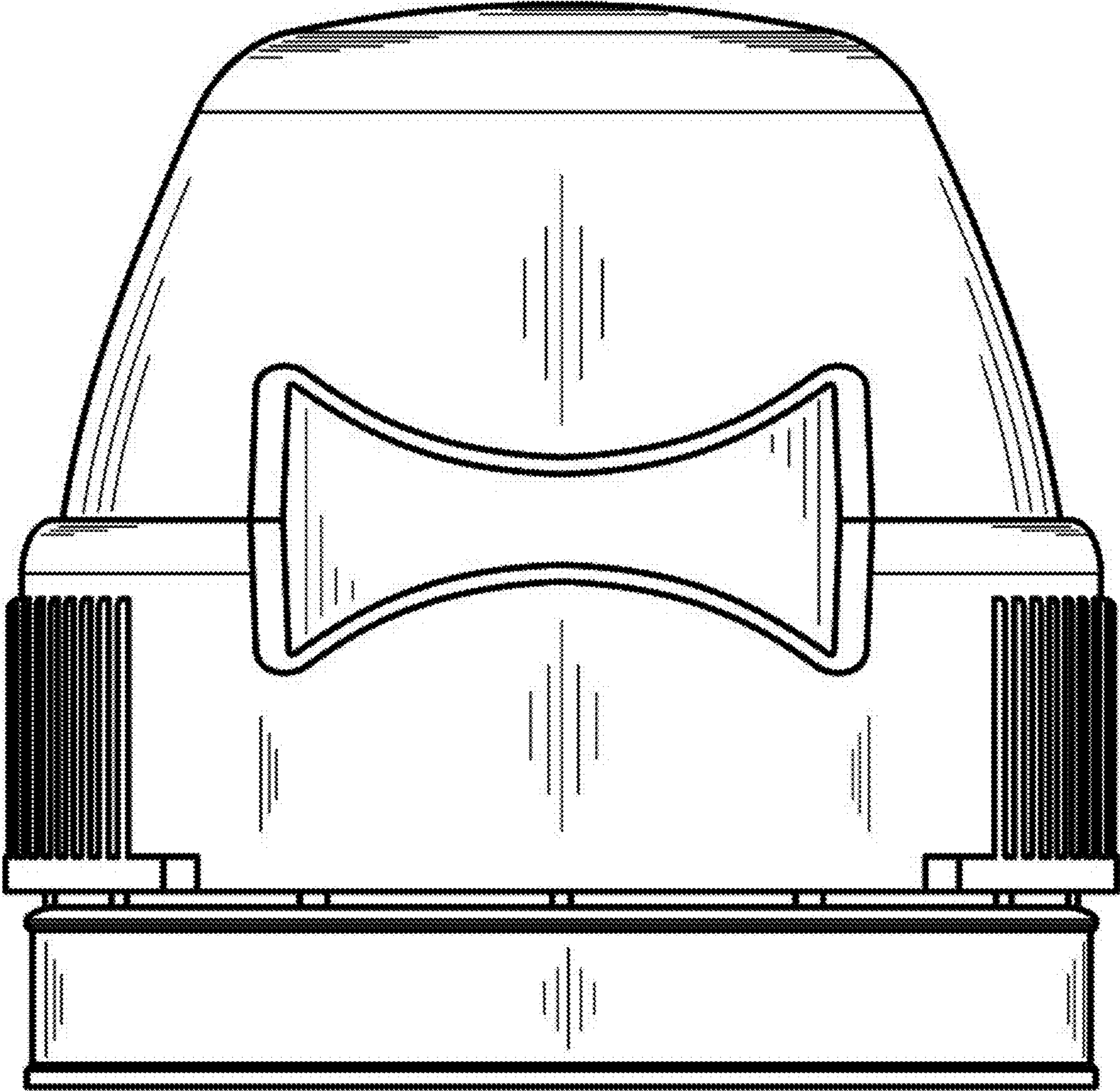
- (56) **References Cited**
 U.S. PATENT DOCUMENTS
 6,478,184 B2 * 11/2002 Berge B65D 47/0819
 215/235
 D528,862 S * 9/2006 Li D7/510
 D530,611 S * 10/2006 Nusbaum D9/449
 D548,075 S * 8/2007 Mavin D9/435



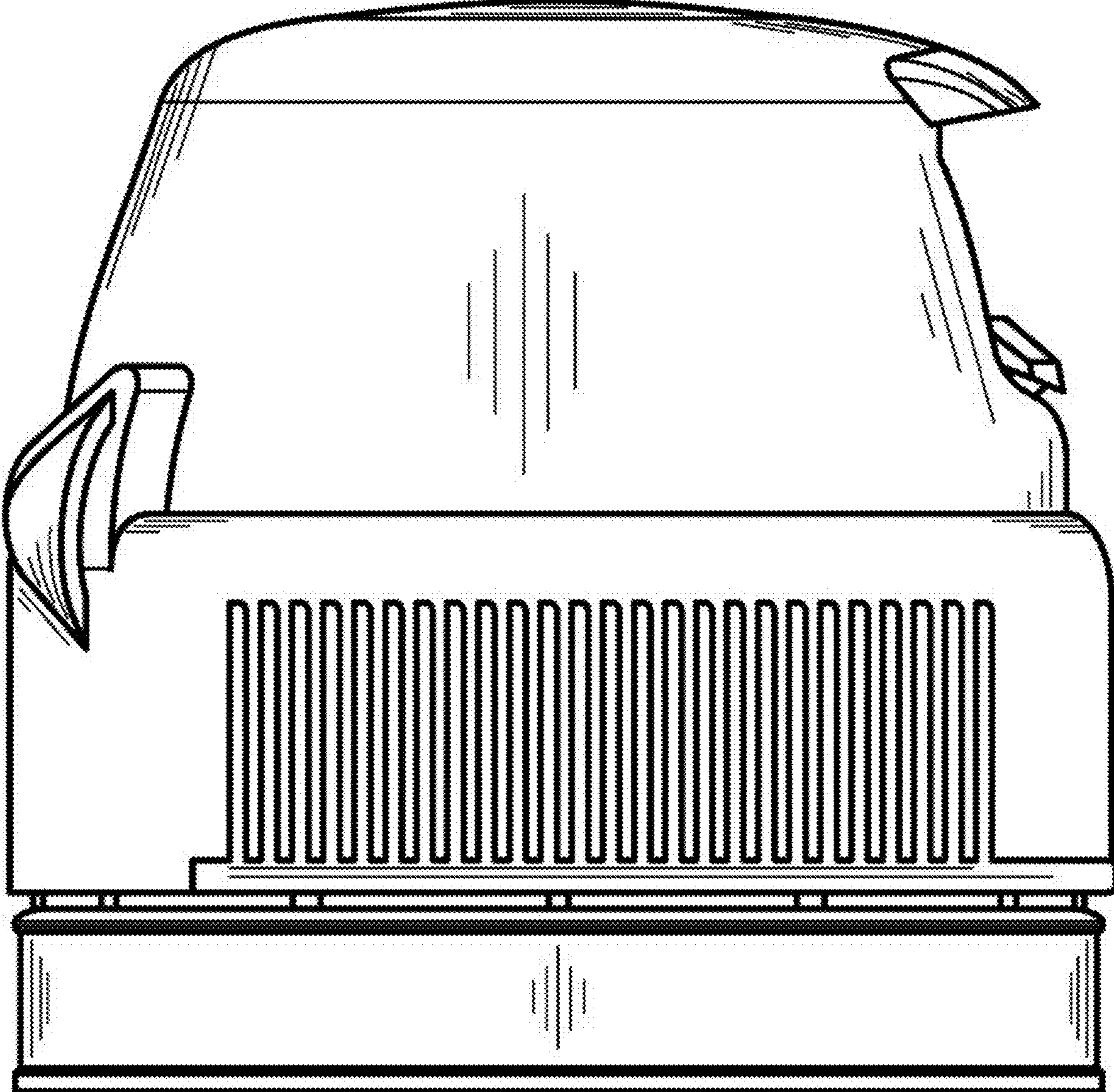
1.1



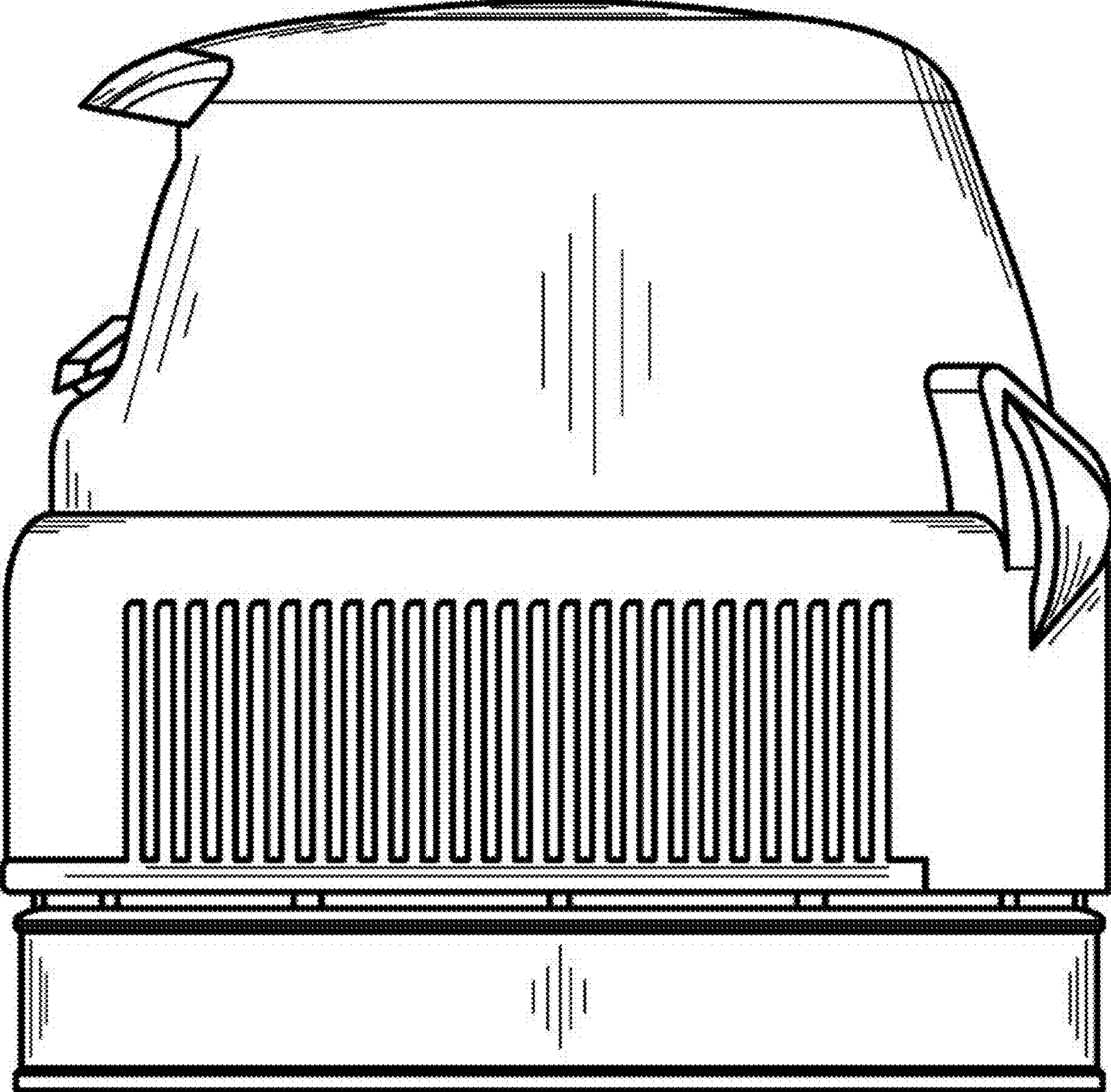
1.2



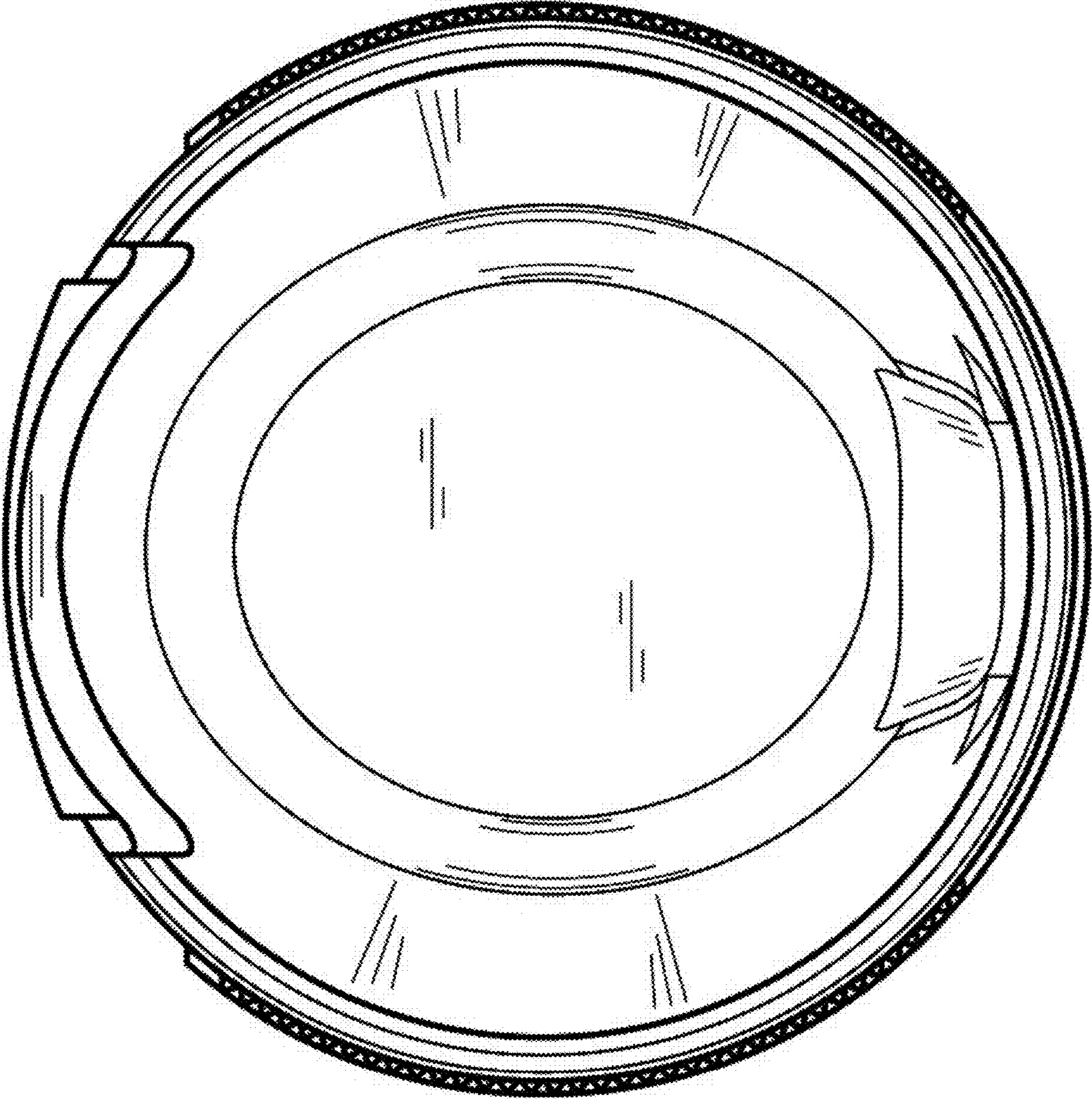
1.3



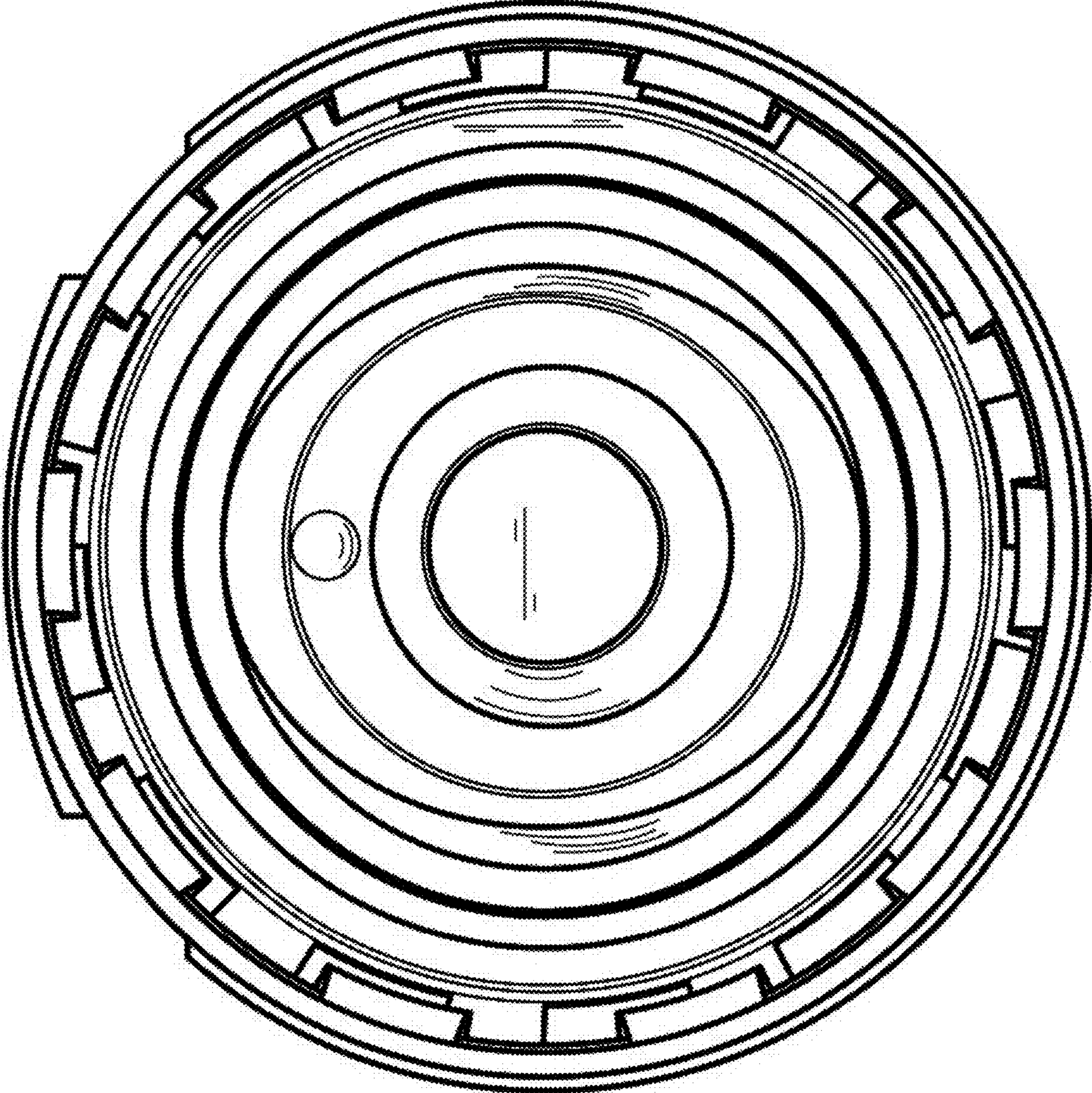
1.4



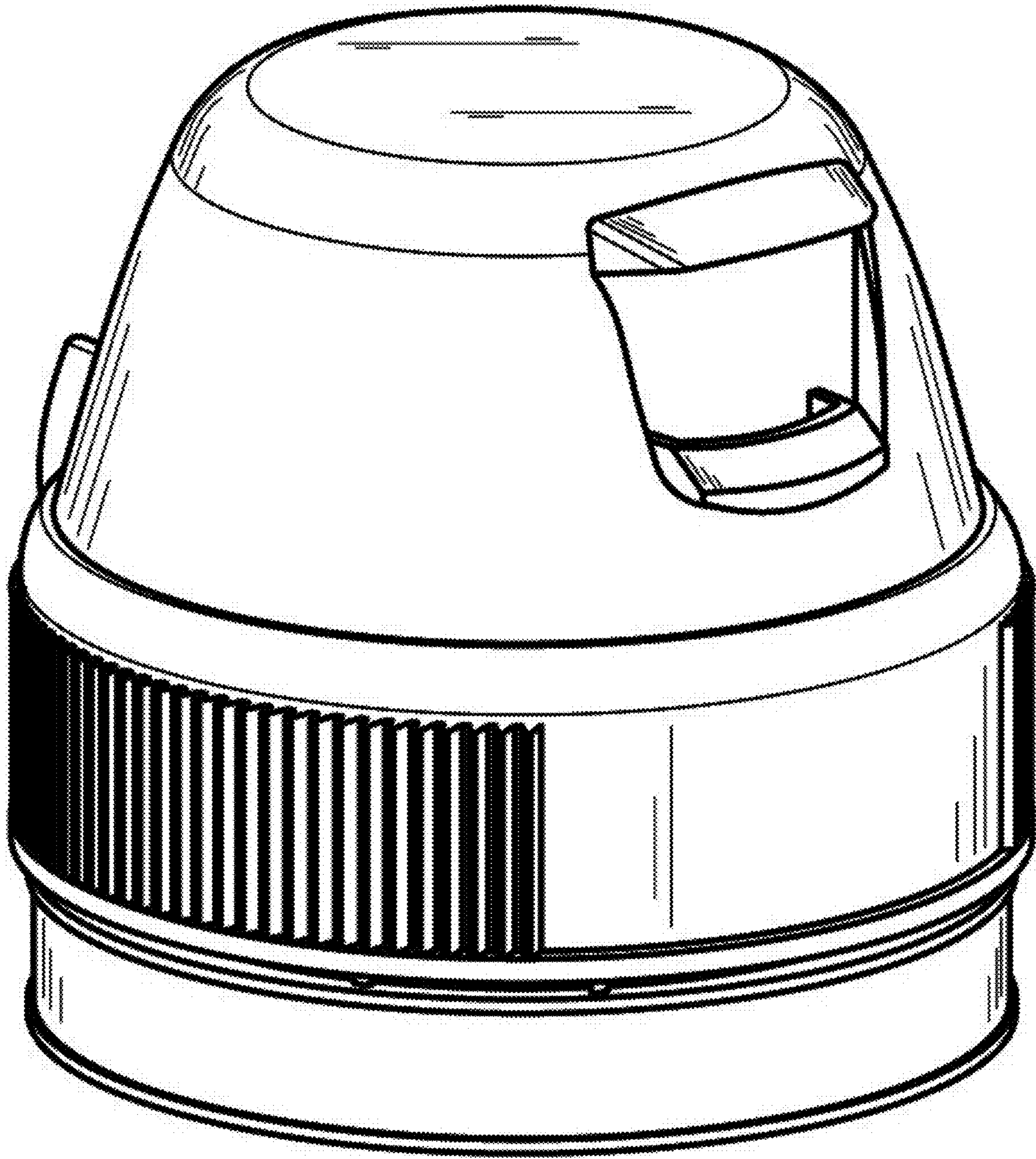
1.5



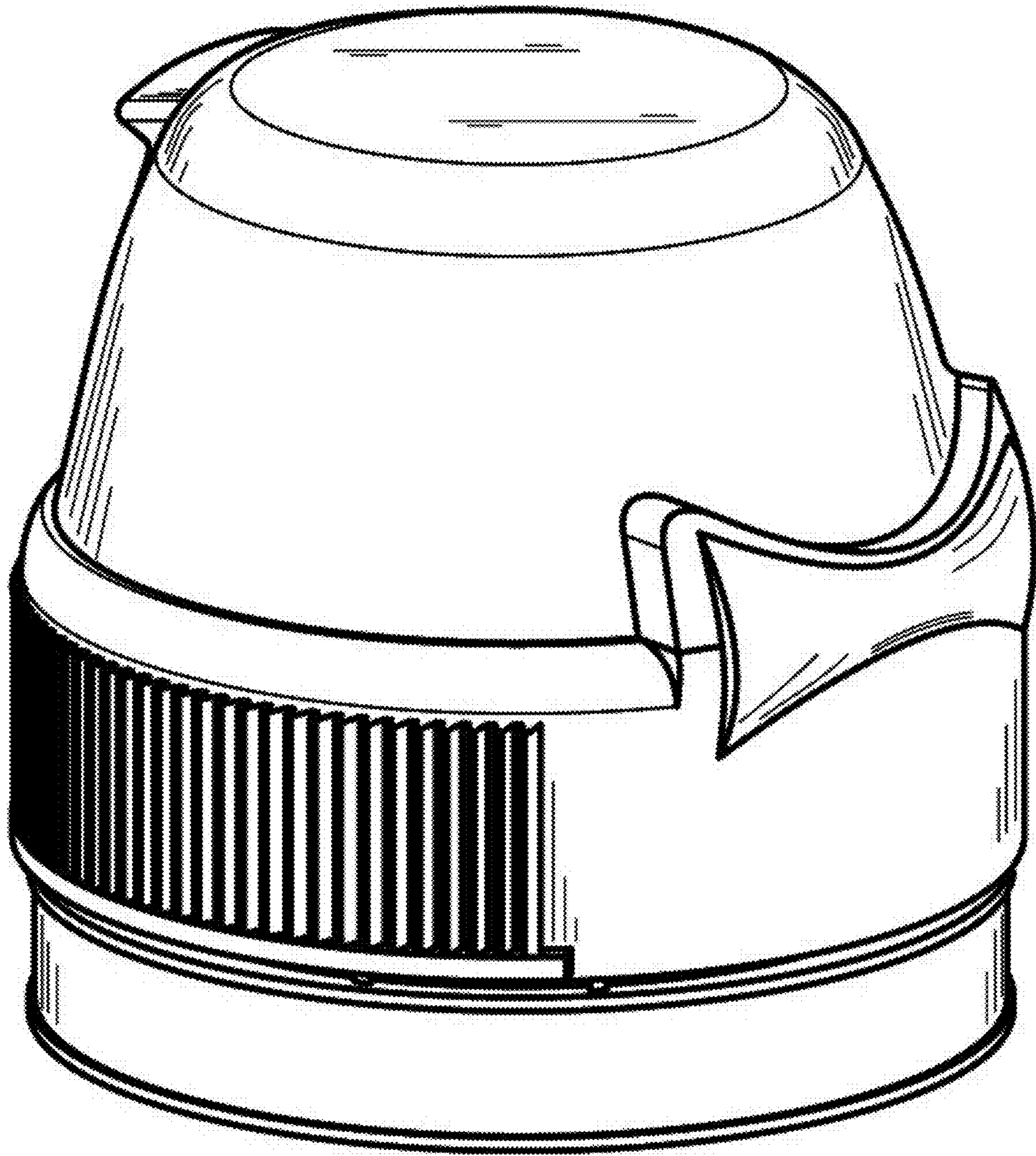
1.6



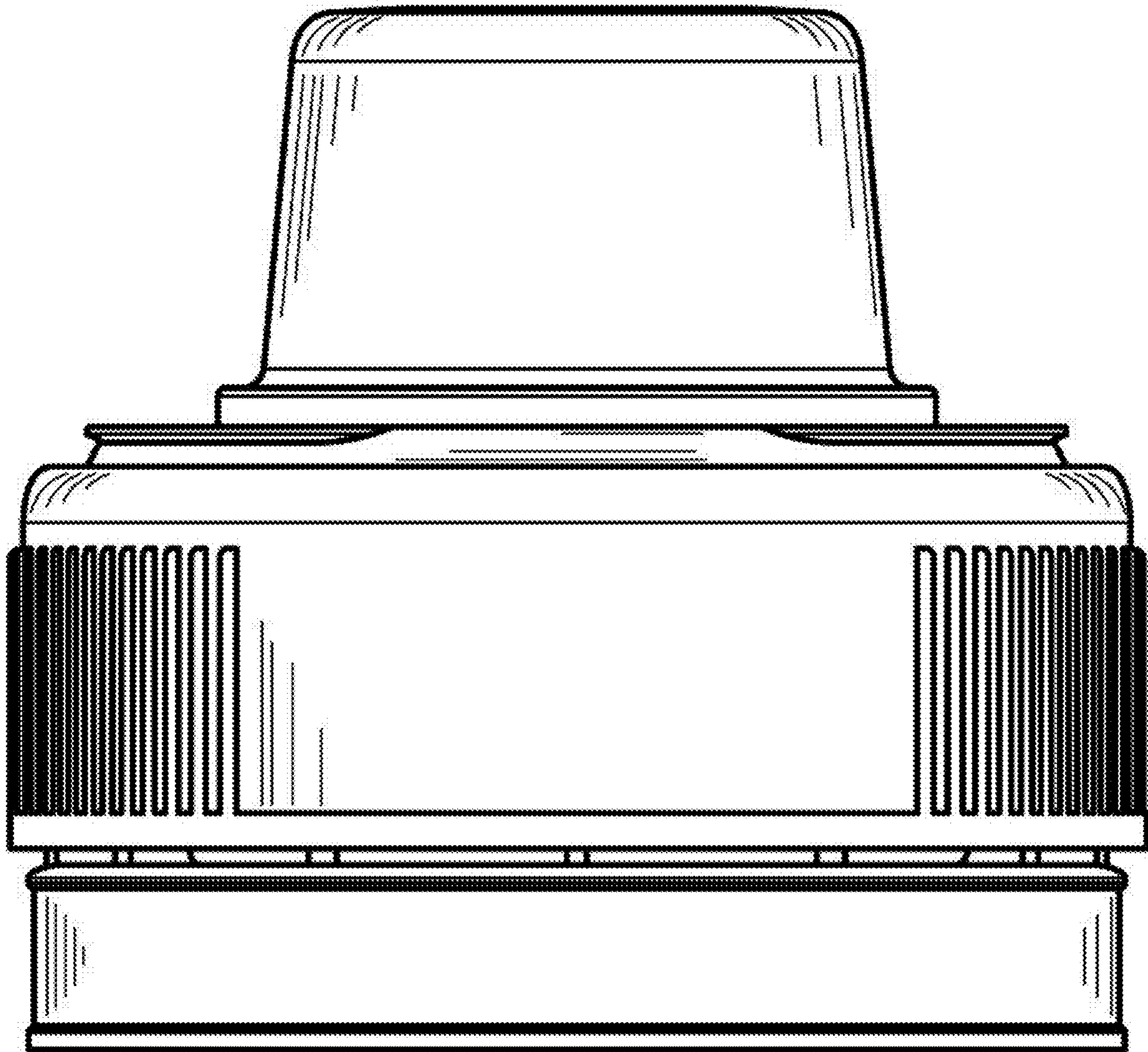
1.7



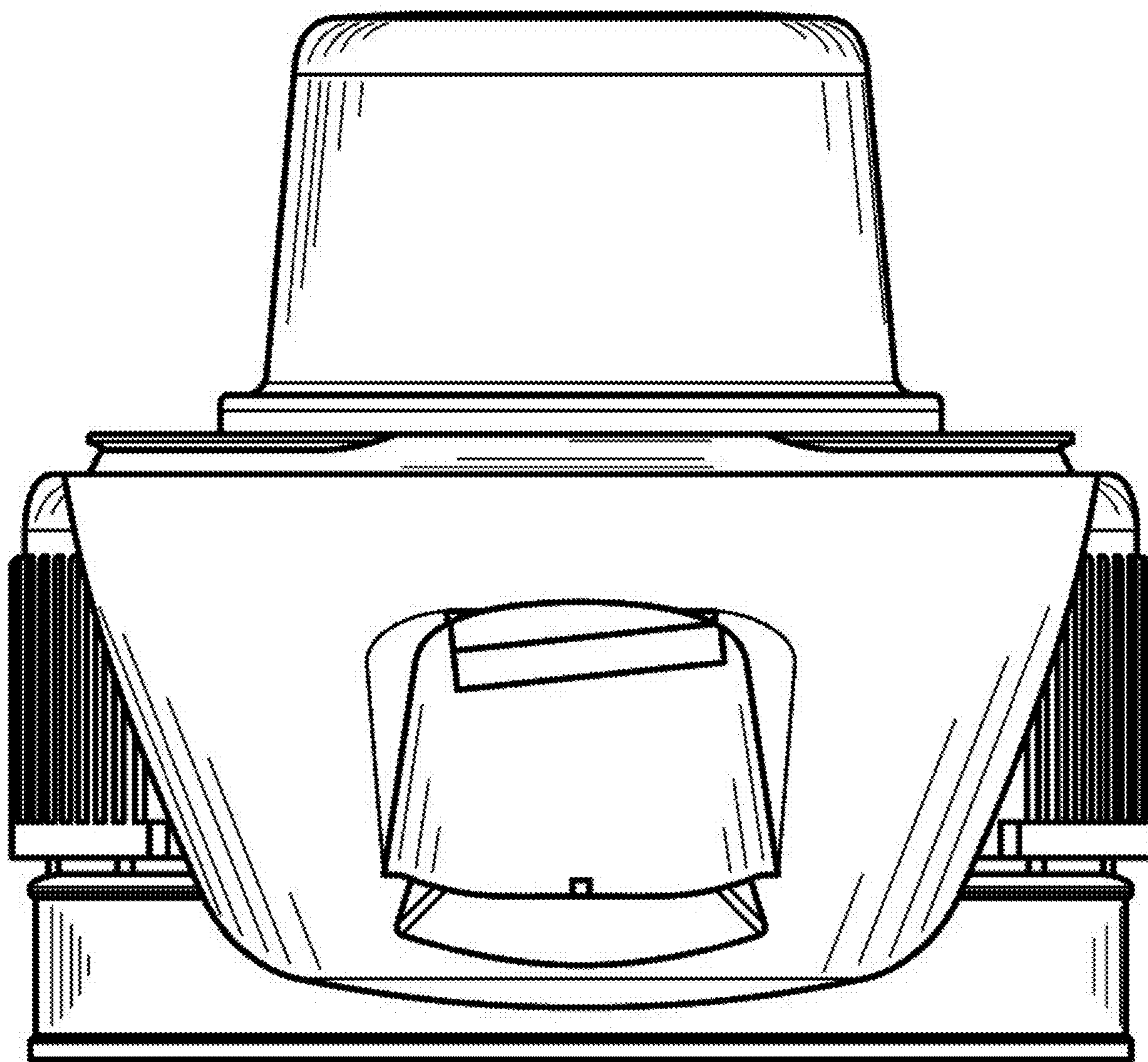
1.8



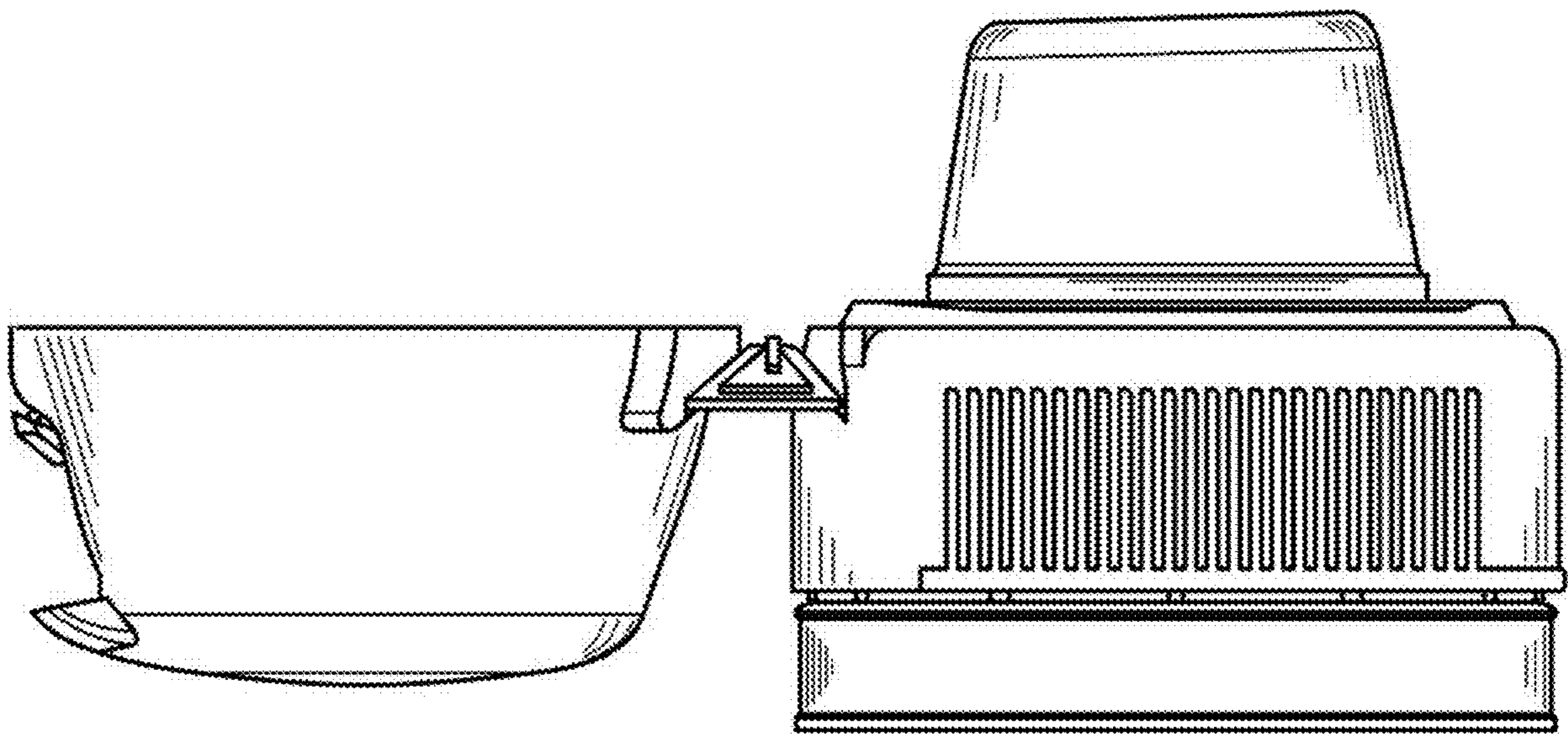
1.9



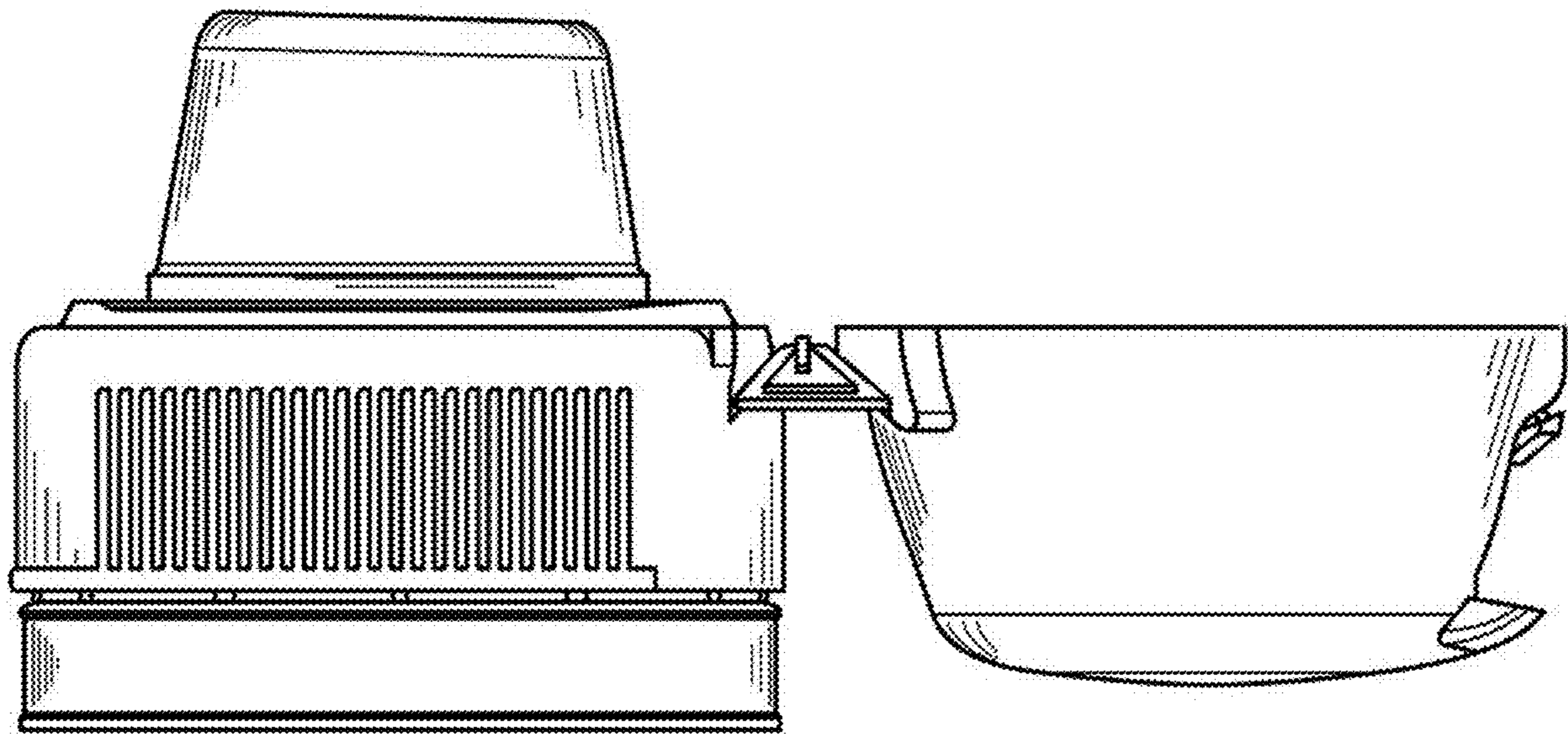
1.10



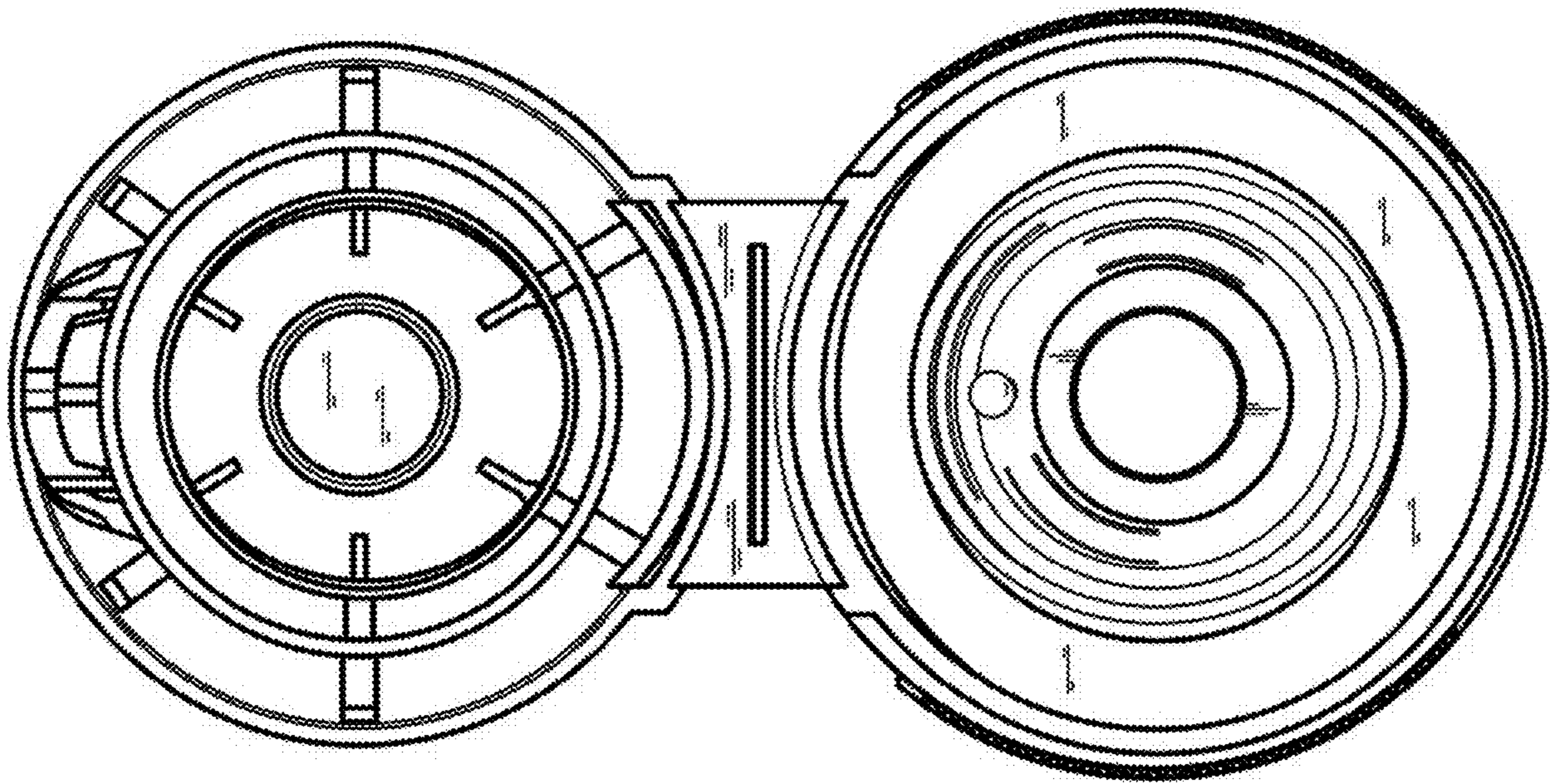
1.11



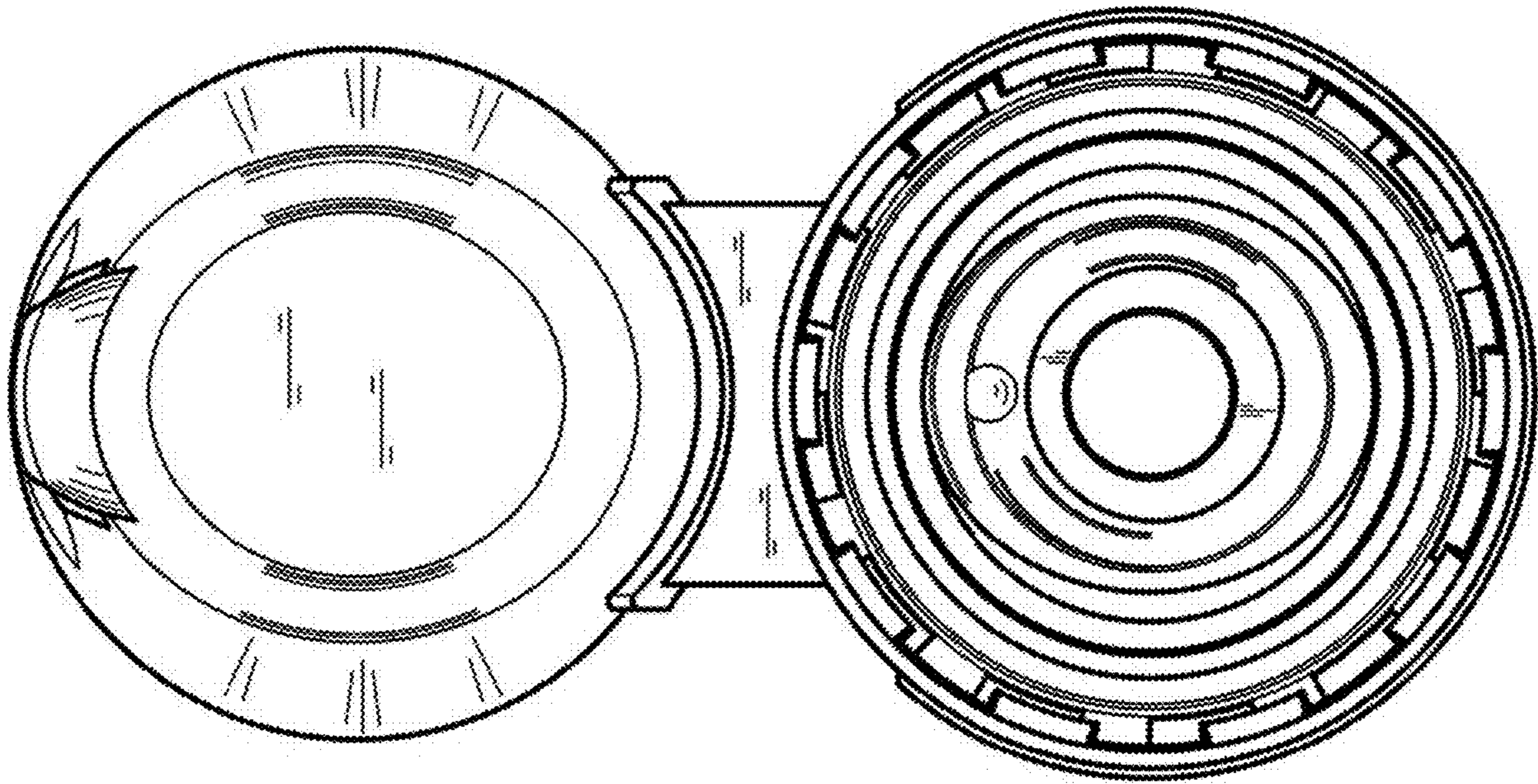
1.12



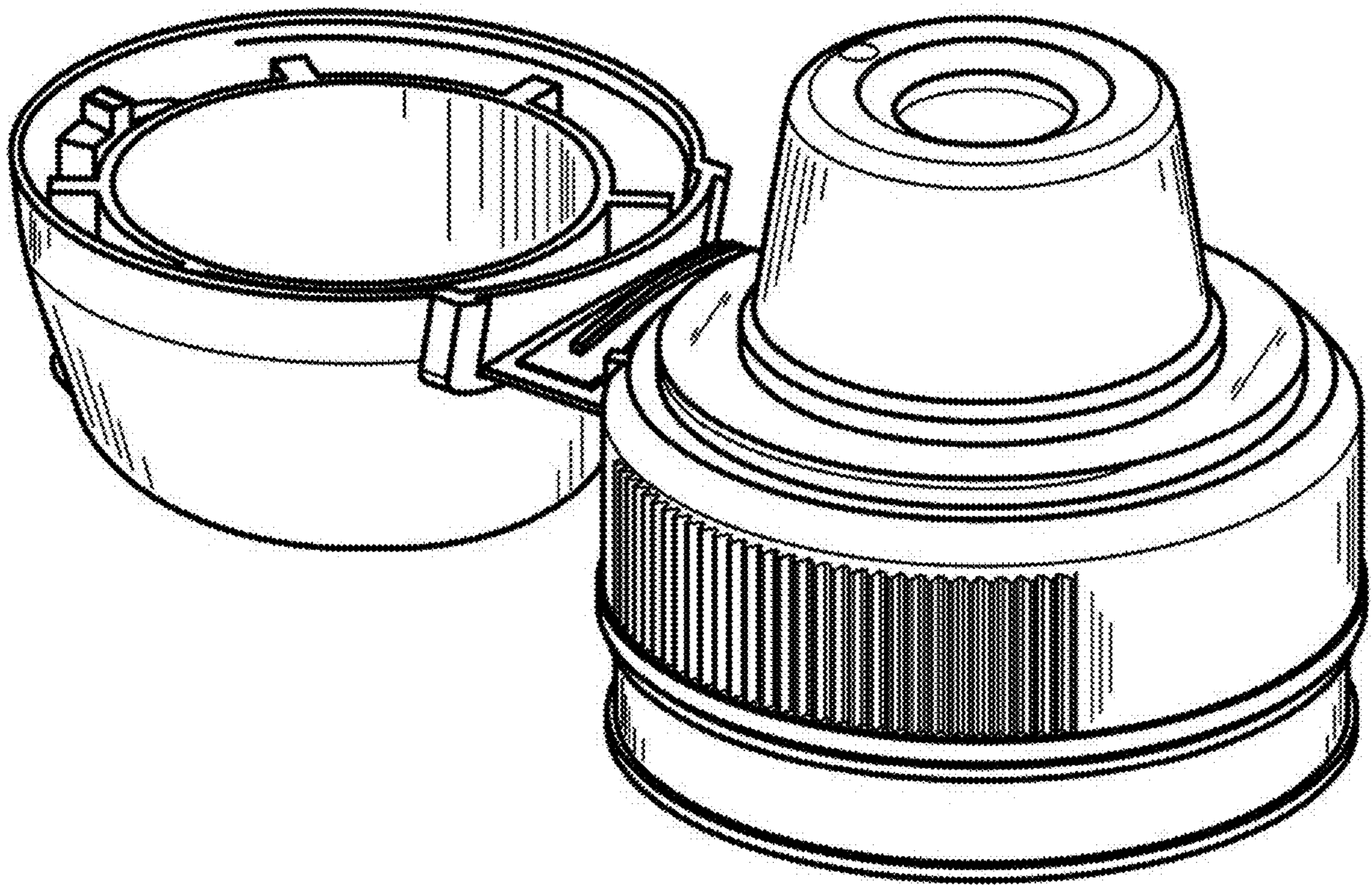
1.13



1.14



1.15



1.16

