

US00D904883S

(12) **United States Design Patent**  
**Diaz et al.**

(10) **Patent No.:** **US D904,883 S**  
(45) **Date of Patent:** **\*\* Dec. 15, 2020**

(54) **CAP WITH SEPTA**

(71) Applicant: **INTEGRATED LINER TECHNOLOGIES, INC.**, Rensselaer, NY (US)

(72) Inventors: **Lenny Diaz**, Clifton Park, NY (US);  
**Paul M. Petrosino**, Schoharie, NY (US)

(\*\*) Term: **15 Years**

(21) Appl. No.: **29/719,542**

(22) Filed: **Jan. 6, 2020**

**Related U.S. Application Data**

(60) Division of application No. 29/697,369, filed on Jul. 8, 2019, now Pat. No. Des. 874,927, which is a  
(Continued)

(51) **LOC (12) Cl.** ..... **09-07**

(52) **U.S. Cl.**  
USPC ..... **D9/436; D9/454**

(58) **Field of Classification Search**

USPC ..... D3/202; D7/300, 300.1, 313, 314, 316,  
D7/387, 393, 396.1, 396.2, 396, 397, 398,  
D7/401.1, 509, 510, 511, 523, 525, 526,  
D7/527, 528, 538, 602, 619.1, 900;  
D9/434-440, 443, 446-449, 452-454,  
D9/686, 688, 690, 723, 724, 763, 772;  
D23/209, 259, 260, 261; D24/121, 224;  
D28/76, 78, 82; D34/10, 11  
CPC ..... A47G 19/2205; A47G 19/2222; A47G  
19/2266; A47G 19/2272; A47G 19/2294;  
B65D 43/02; B65D 43/14; B65D 43/26;

(Continued)

(56) **References Cited**

**U.S. PATENT DOCUMENTS**

5,647,939 A \* 7/1997 Gee ..... B29C 66/72343  
156/272.6

5,816,421 A 10/1998 Clodfelter et al.

(Continued)

**FOREIGN PATENT DOCUMENTS**

CA 2476860 2/2006  
EP 1584572 10/2005

(Continued)

**OTHER PUBLICATIONS**

Office Action in U.S. Appl. No. 15/612,020 dated Jan. 28, 2019, 25 pgs.

(Continued)

*Primary Examiner* — Catherine S Posthauer

(74) *Attorney, Agent, or Firm* — Heslin Rothenberg Farley & Mesiti P.C.; Kristian E. Ziegler, Esq.

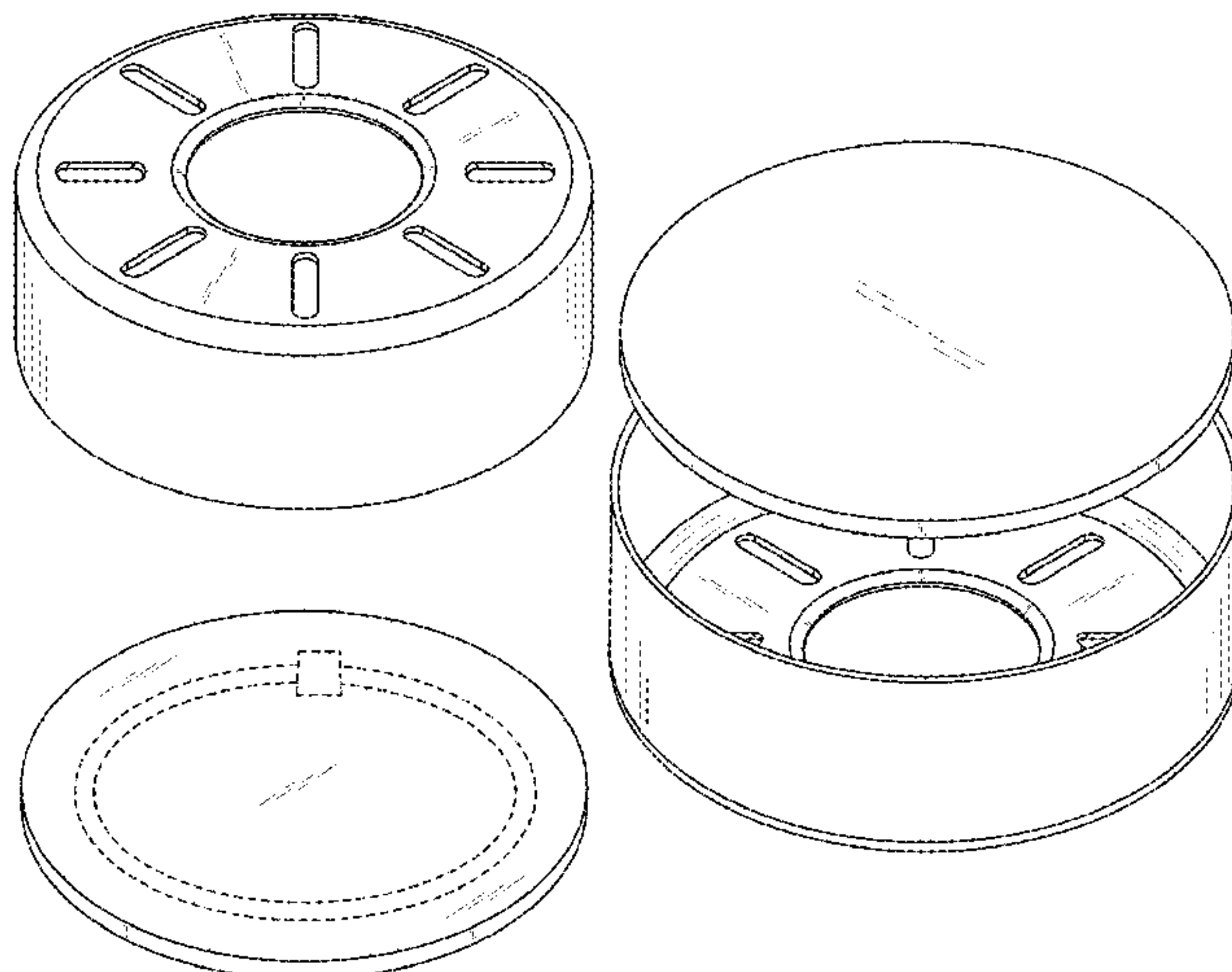
(57) **CLAIM**

The ornamental design for a cap with septa, as shown and described.

**DESCRIPTION**

FIG. 1 is a top perspective view of a cap with septa, showing our new design;  
FIG. 2 is a bottom perspective view thereof;  
FIG. 3 is a top view thereof;  
FIG. 4 is a bottom view thereof;  
FIG. 5 is a left side view thereof;  
FIG. 6 is a right side view thereof;  
FIG. 7 is an exploded top perspective view thereof;  
FIG. 8 is an exploded bottom perspective view thereof; and,  
FIG. 9 is a top perspective view thereof, showing the cap with septa in a position of use with an exemplary vial.  
The broken lines represent environmental subject matter of an exemplary vial as well as parts of the article, none of which form part of the claim.

**1 Claim, 6 Drawing Sheets**



**Related U.S. Application Data**

division of application No. 29/587,056, filed on Dec. 9, 2016, now Pat. No. Des. 858,281, which is a continuation of application No. PCT/US2015/063590, filed on Dec. 3, 2015.

(58) **Field of Classification Search**

CPC ..... B65D 51/18; B65D 2251/0018; B65D 2251/0081; B65D 2251/0026; B65D 2251/009; B65D 2543/00046; B65D 39/00; B65D 39/0005; B65D 39/02; B65D 39/08; B65D 39/14; B65D 41/00; B65D 41/02; B65D 41/005; B65D 41/023; B65D 41/026; B65D 41/0414; B65D 41/0421; B65D 41/0428; B65D 41/0476; B65D 41/0485; B65D 41/0492; B65D 41/16; B65D 41/17; B65D 41/26; B65D 41/32; B65D 50/00; B65D 53/00; B65D 53/02; B65D 53/04; B65D 55/02; A47J 36/10; A47J 36/14; A47J 36/06

See application file for complete search history.

(56) **References Cited**

U.S. PATENT DOCUMENTS

D424,750	S	5/2000	Zalzal	
D442,864	S	5/2001	Davies	
D502,052	S	2/2005	Meade	
D518,373	S	4/2006	Schulthess	
D520,596	S	5/2006	Johnson et al.	
D527,633	S	9/2006	Stull et al.	
D556,037	S *	11/2007	D'Amato	D9/454
D616,090	S *	5/2010	Kawamura	D24/127
D621,603	S *	8/2010	Traylor	D3/203.2
D637,081	S *	5/2011	Collins	D9/452
D654,309	S	2/2012	Tiemann	
8,177,762	B2	5/2012	Beasley	
D694,109	S	11/2013	Tanner	
8,608,713	B2	12/2013	Beasley	
8,976,029	B1	9/2015	McTigue	
9,589,226	B2 *	3/2017	Elizondo, II	G06K 19/07786
9,649,254	B2	5/2017	Frishman	
D790,041	S	6/2017	Jang et al.	
D817,760	S *	5/2018	Petrosino	D9/452
D845,763	S *	4/2019	Savenok	D9/454
D858,281	S *	9/2019	Diaz	B65D 51/245 D9/436

D873,139	S *	1/2020	Chapin	D9/453
2003/0061705	A1	4/2003	Smeyak et al.	
2005/0242957	A1	11/2005	Lindsay et al.	
2006/0185448	A1	8/2006	Sakal et al.	
2006/0213964	A1	9/2006	Excoffier et al.	
2006/0224129	A1	10/2006	Beasley	
2006/0238341	A1	10/2006	Commagnac et al.	
2006/0283945	A1	12/2006	Excoffier	
2007/0152829	A1	7/2007	Lindsay et al.	
2007/0182563	A1	8/2007	Abbott	
2007/0194019	A1	8/2007	Seagle et al.	
2008/0078760	A1	4/2008	Auer et al.	
2008/0149574	A1	6/2008	Read	
2008/0314900	A1	12/2008	Biesecker et al.	
2009/0065466	A1	3/2009	Petrosino et al.	
2010/0007464	A1	1/2010	McTigue	
2010/0108633	A1	5/2010	Chen et al.	
2011/0263461	A1	10/2011	Kastury et al.	
2011/0278254	A1 *	11/2011	Petrosino	B65D 41/045 215/247
2012/0024085	A1 *	2/2012	Faulkner	B01L 3/50825 73/864.91
2012/0187197	A1	7/2012	Masin	
2012/0217244	A1	8/2012	Phaneuf et al.	
2012/0226244	A1	9/2012	Beasley	
2012/0227860	A1	9/2012	Jeremiah	
2013/0316442	A1	11/2013	Meurville et al.	
2013/0333873	A1	12/2013	Giroux et al.	
2014/0100534	A1	4/2014	Beasley	
2014/0266760	A1	9/2014	Burke, Jr. et al.	
2017/0349335	A1 *	12/2017	Sattig	A61J 1/1431

FOREIGN PATENT DOCUMENTS

JP	2012106763	6/2012
WO	9821111	5/1998

OTHER PUBLICATIONS

Final Office Action in U.S. Appl. No. 14/570,421, dated Dec. 11, 2017, 8 pgs.  
 Office Action in U.S. Appl. No. 14/570,421, dated Jul. 3, 2017, pp. 1-9.  
 Port Caps: Announced Oct. 16, 2015 (online). Site visited Oct. 11, 2017. Available from Internet URL: <https://web.archive.org/web/20141018072610/https://www.calpaclab.com/port-caps/>.  
 Integrated Liner Technology: Announced Aug. 18, 2018 (online). Site visited Aug. 9, 2019, Available from Internet URL: <http://www.iltusa.com/docs/ILTproductcatalog.pdf#page=9>.

\* cited by examiner

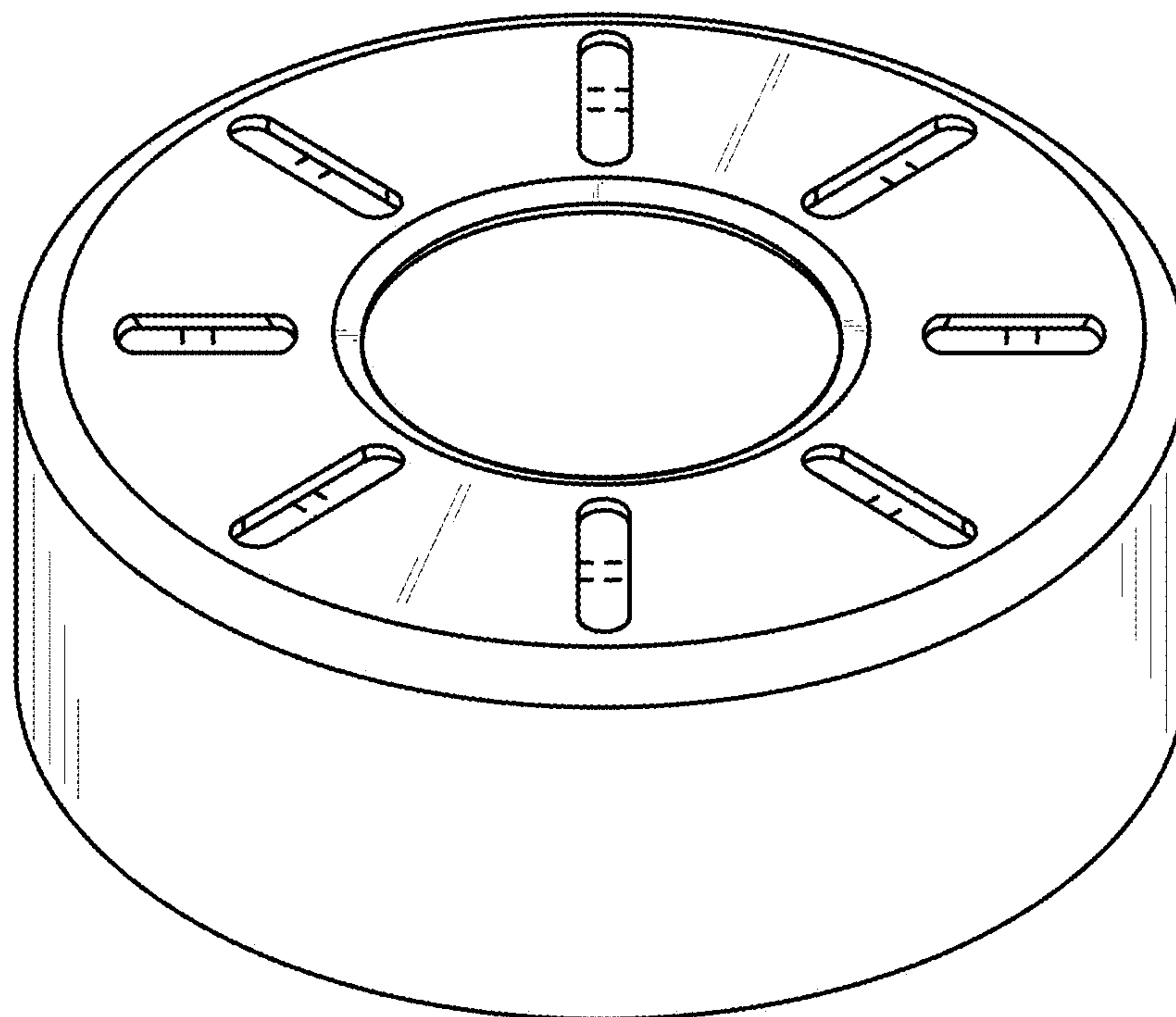


FIG. 1

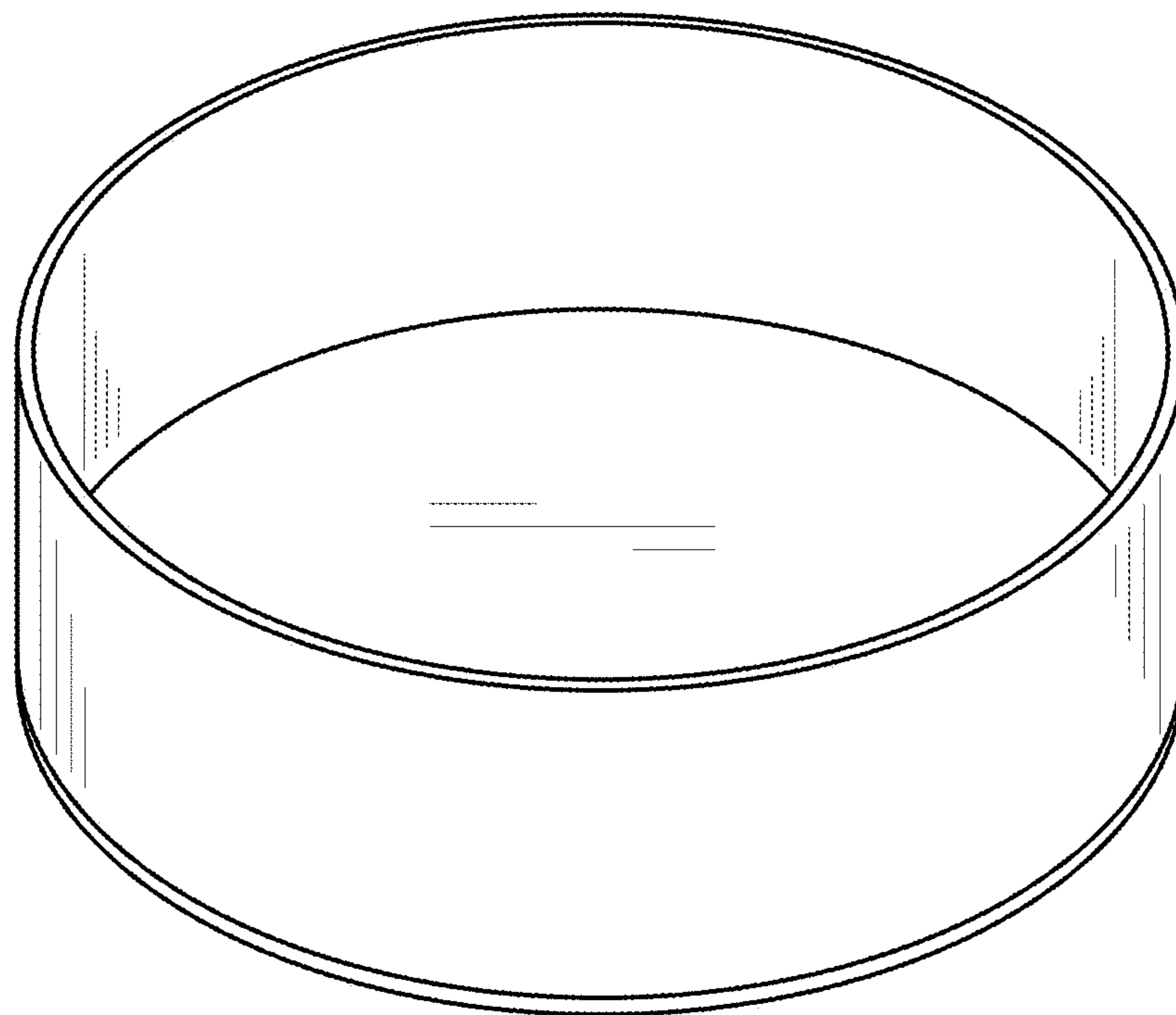


FIG. 2



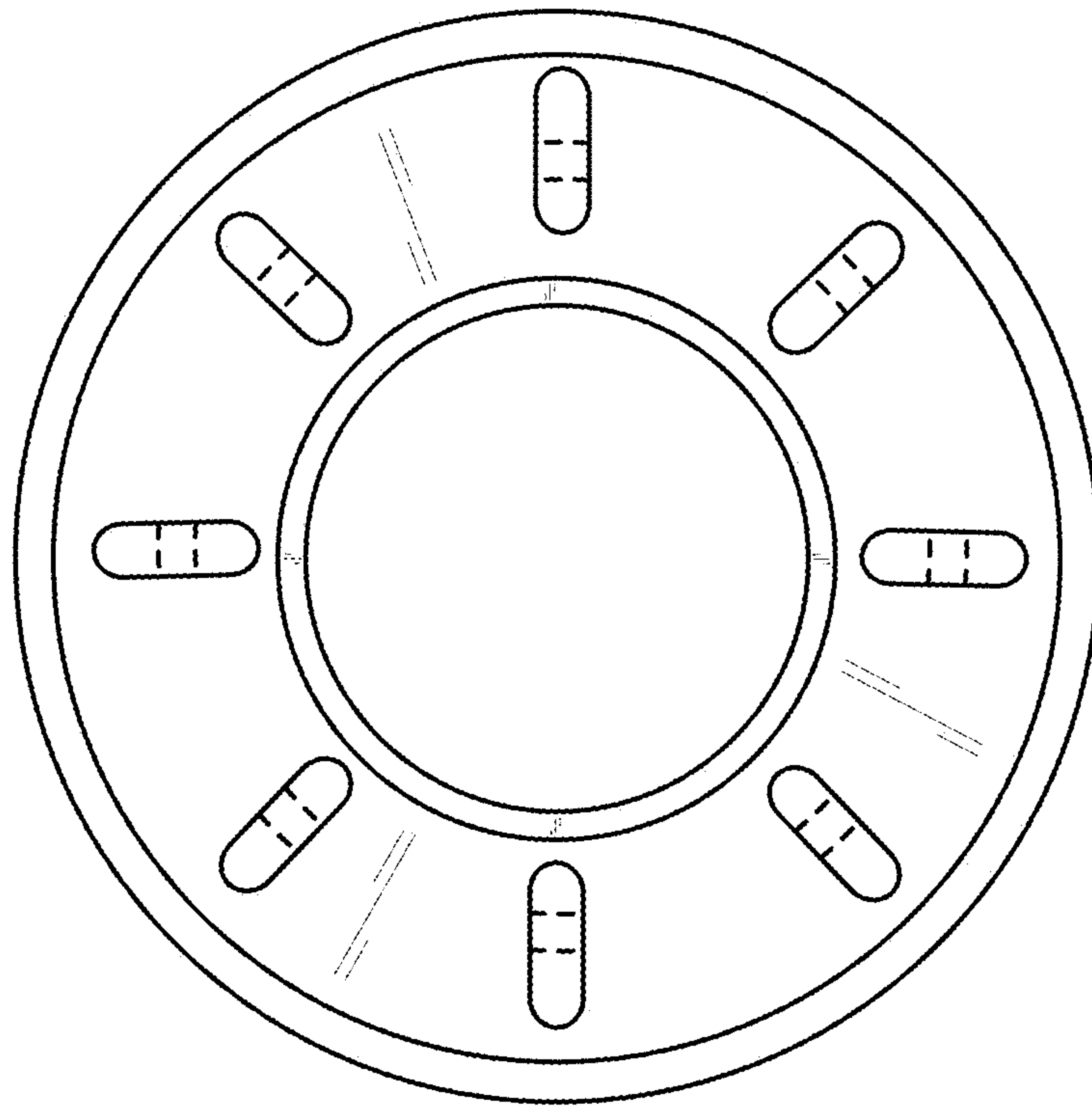


FIG. 3

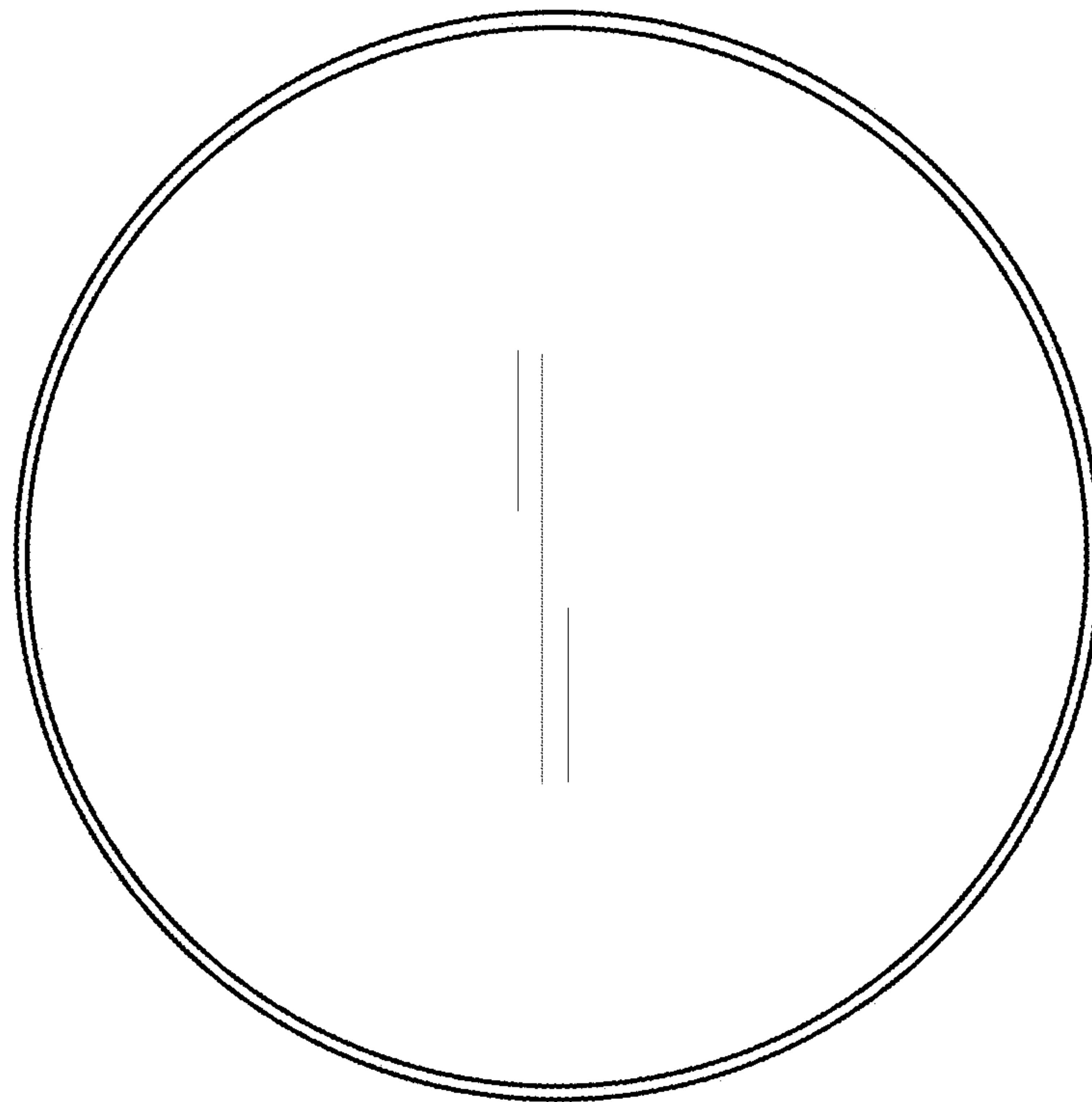


FIG. 4

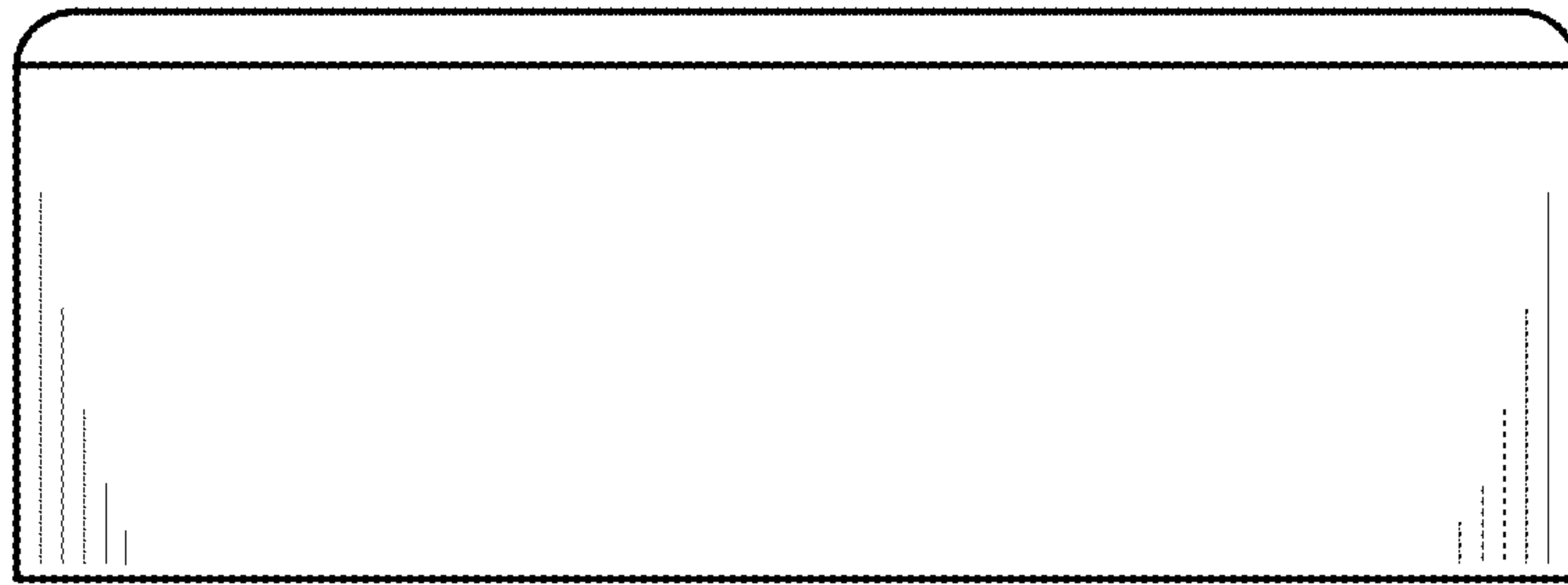


FIG. 5

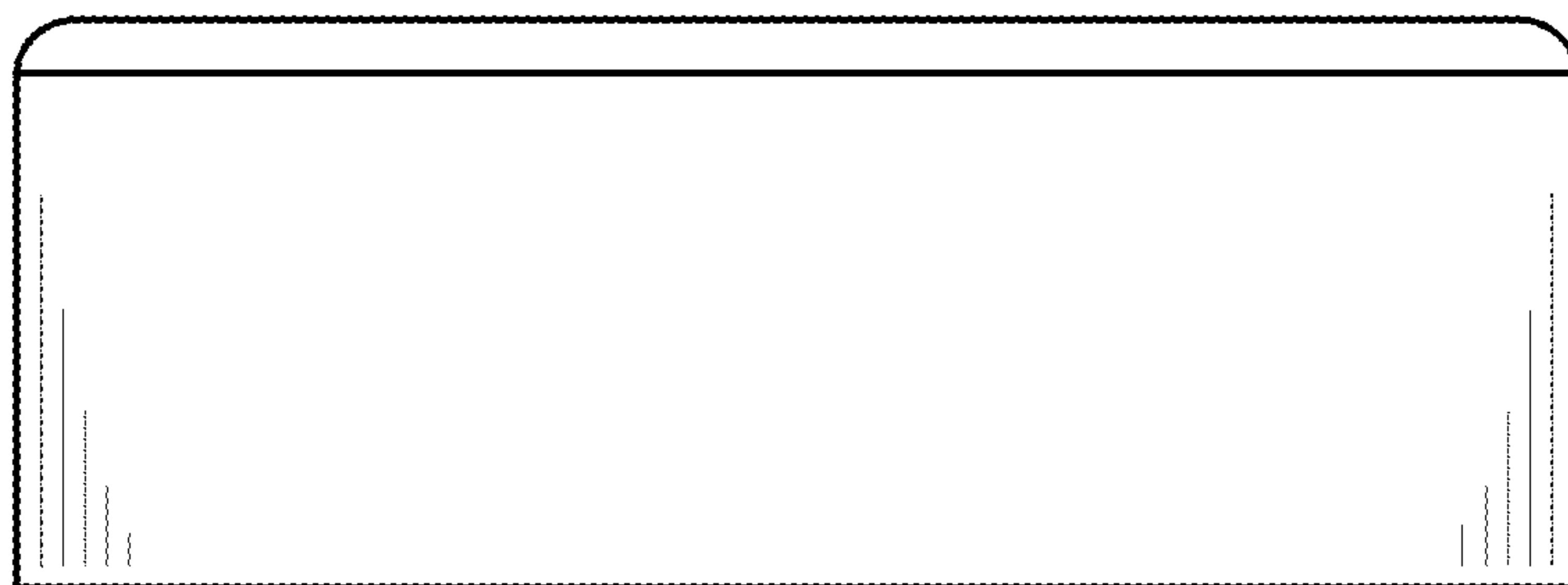


FIG. 6

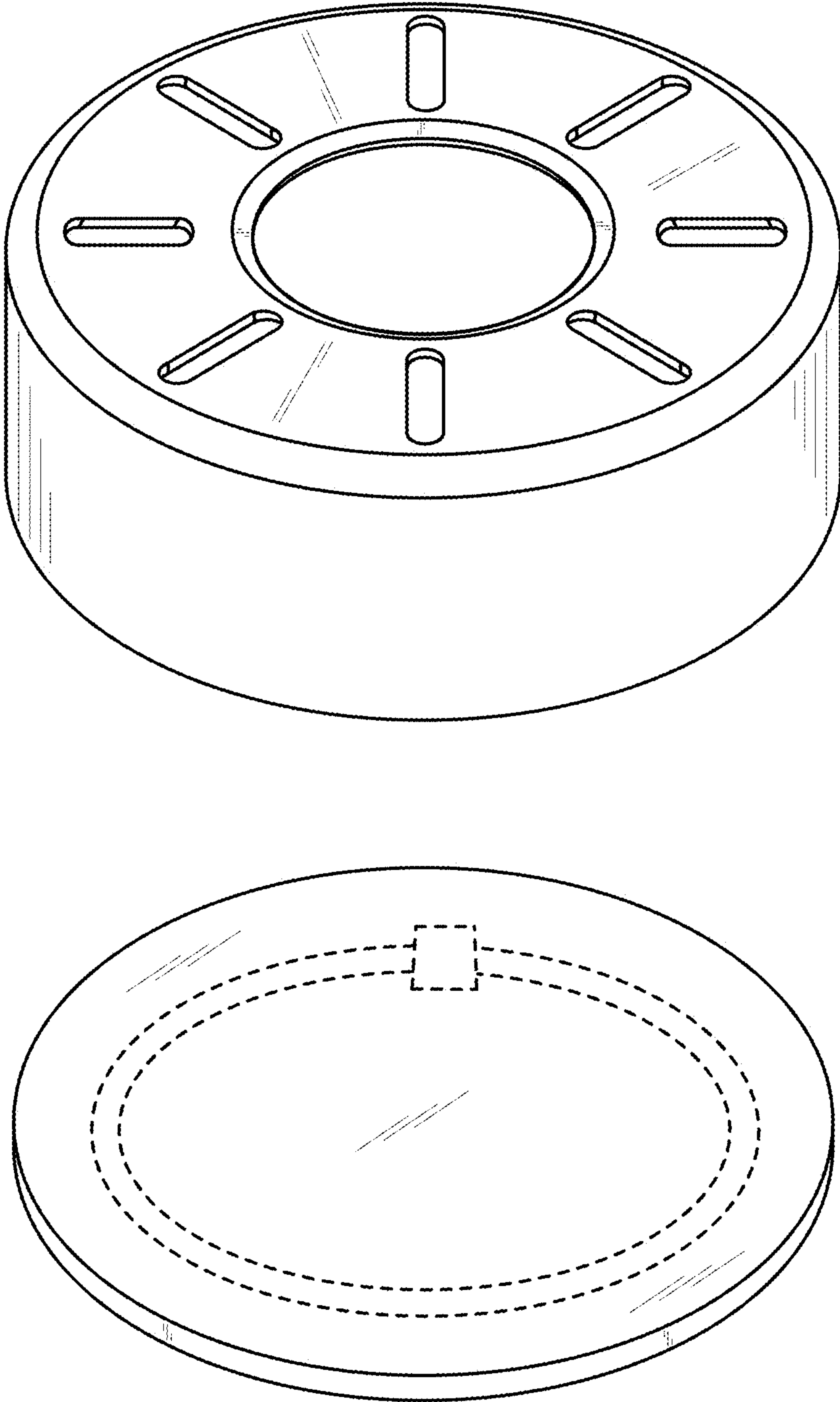


FIG. 7

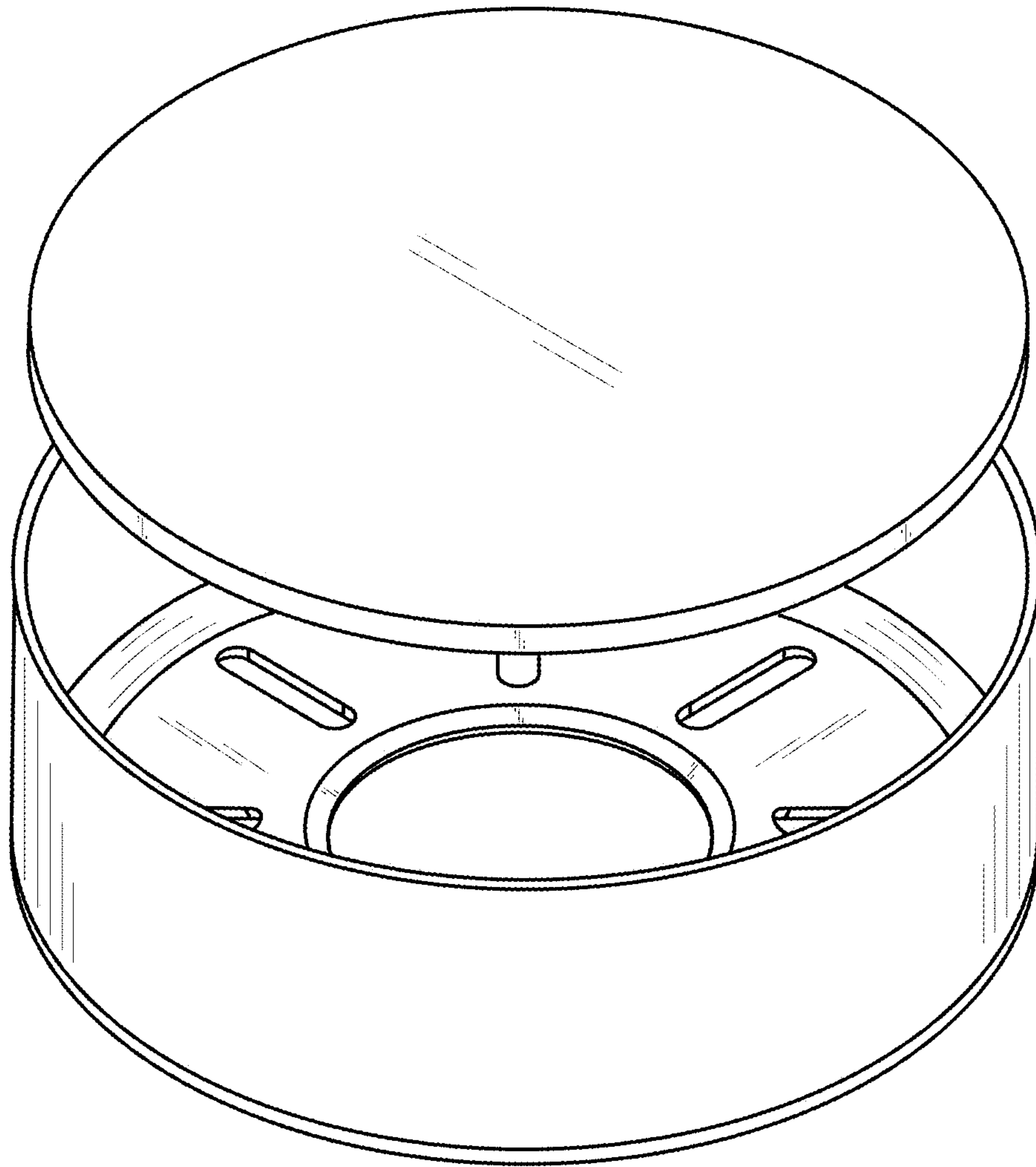


FIG. 8

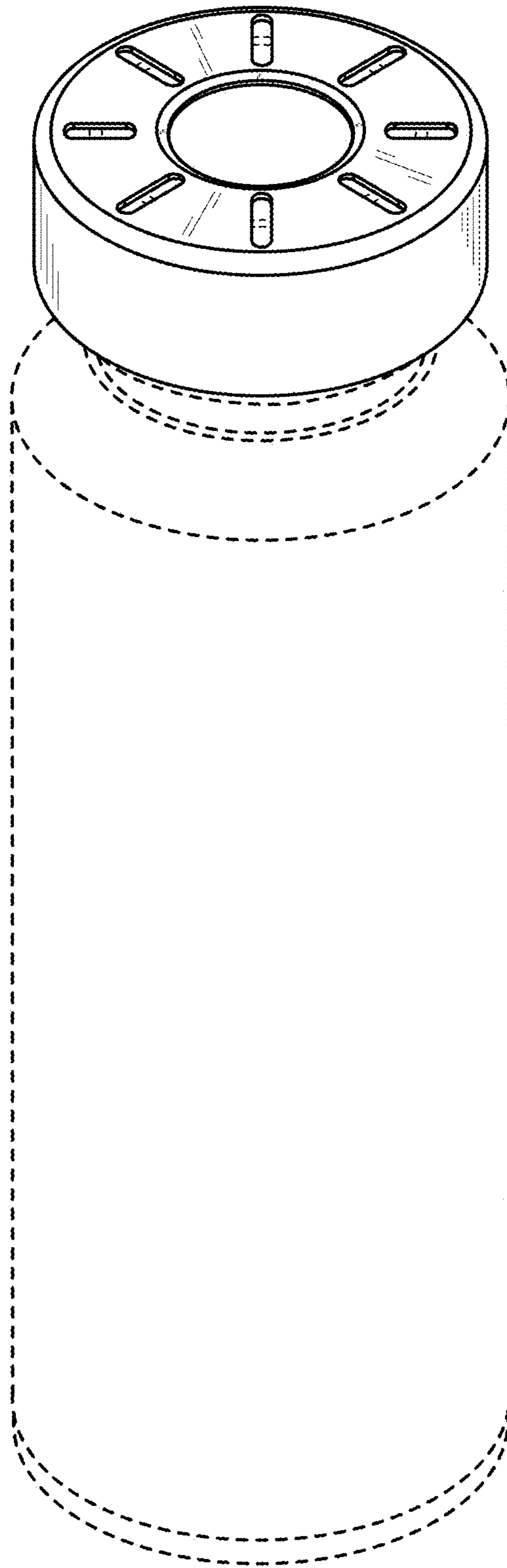


FIG. 9