



US00D904878S

(12) **United States Design Patent**
Lee et al.

(10) **Patent No.:** **US D904,878 S**

(45) **Date of Patent:** **** Dec. 15, 2020**

(54) **BOX FOR PACKAGING**

(71) Applicant: **Samsung Bioepis Co., Ltd.**, Incheon (KR)

(72) Inventors: **Jiwon Lee**, Incheon (KR); **Dongbo Choi**, Seoul (KR)

(73) Assignee: **Samsung Bioepis Co., Ltd.**, Incheon (KR)

(**) Term: **15 Years**

(21) Appl. No.: **29/693,442**

(22) Filed: **Jun. 3, 2019**

(30) **Foreign Application Priority Data**

May 8, 2019 (KR) 30-2019-0021558

(51) **LOC (12) Cl.** **09-03**

(52) **U.S. Cl.**
USPC **D9/432**

(58) **Field of Classification Search**
USPC D9/414–423, 430–433, 434, 455, 456,
D9/721–722, 737, 756, 758, 759, 760;
D8/403
CPC ... B65D 5/00; B65D 5/02; B65D 5/18; B65D
5/20
See application file for complete search history.

(56) **References Cited**

U.S. PATENT DOCUMENTS

3,861,583 A * 1/1975 Tingley B65D 5/541
229/223
4,331,240 A * 5/1982 Vanasse B65D 5/18
206/340
D567,646 S * 4/2008 Ballard D9/415
D644,925 S * 9/2011 Jaworski D9/434
D701,756 S * 4/2014 Chen D9/432
D746,677 S * 1/2016 Candelaria D9/430

D801,803 S * 11/2017 Mitten D9/416
D821,866 S * 7/2018 Scotti D9/420
D834,937 S * 12/2018 McKenzie D9/432

(Continued)

Primary Examiner — Vy N Koenig

(74) *Attorney, Agent, or Firm* — Novick, Kim & Lee,
PLLC; Sang Ho Lee; Hyun Woo Shin

(57) **CLAIM**

We claim the ornamental design for a box for packaging, as shown and described.

DESCRIPTION

FIG. 1 is a perspective view of a box for packaging, showing our new design;

FIG. 2 is a front elevational view thereof;

FIG. 3 is a rear elevational view thereof;

FIG. 4 is a left side elevational view thereof;

FIG. 5 is a right side elevational view thereof;

FIG. 6 is a top plan view thereof;

FIG. 7 is a bottom plan view thereof;

FIG. 8 is a perspective view showing a configuration of use wherein a top cover of an outer box is open;

FIG. 9 is a front elevational view thereof;

FIG. 10 is a rear elevational view;

FIG. 11 is a left side elevational view thereof;

FIG. 12 is a right side elevational view thereof;

FIG. 13 is a top plan elevational view thereof;

FIG. 14 is a bottom plan elevational view thereof;

FIG. 15 is a perspective view showing another configuration of use wherein an inner tray is pulled out from the outer box;

FIG. 16 is a front elevational view thereof;

FIG. 17 is a rear elevational view thereof;

FIG. 18 is a left side elevational view thereof;

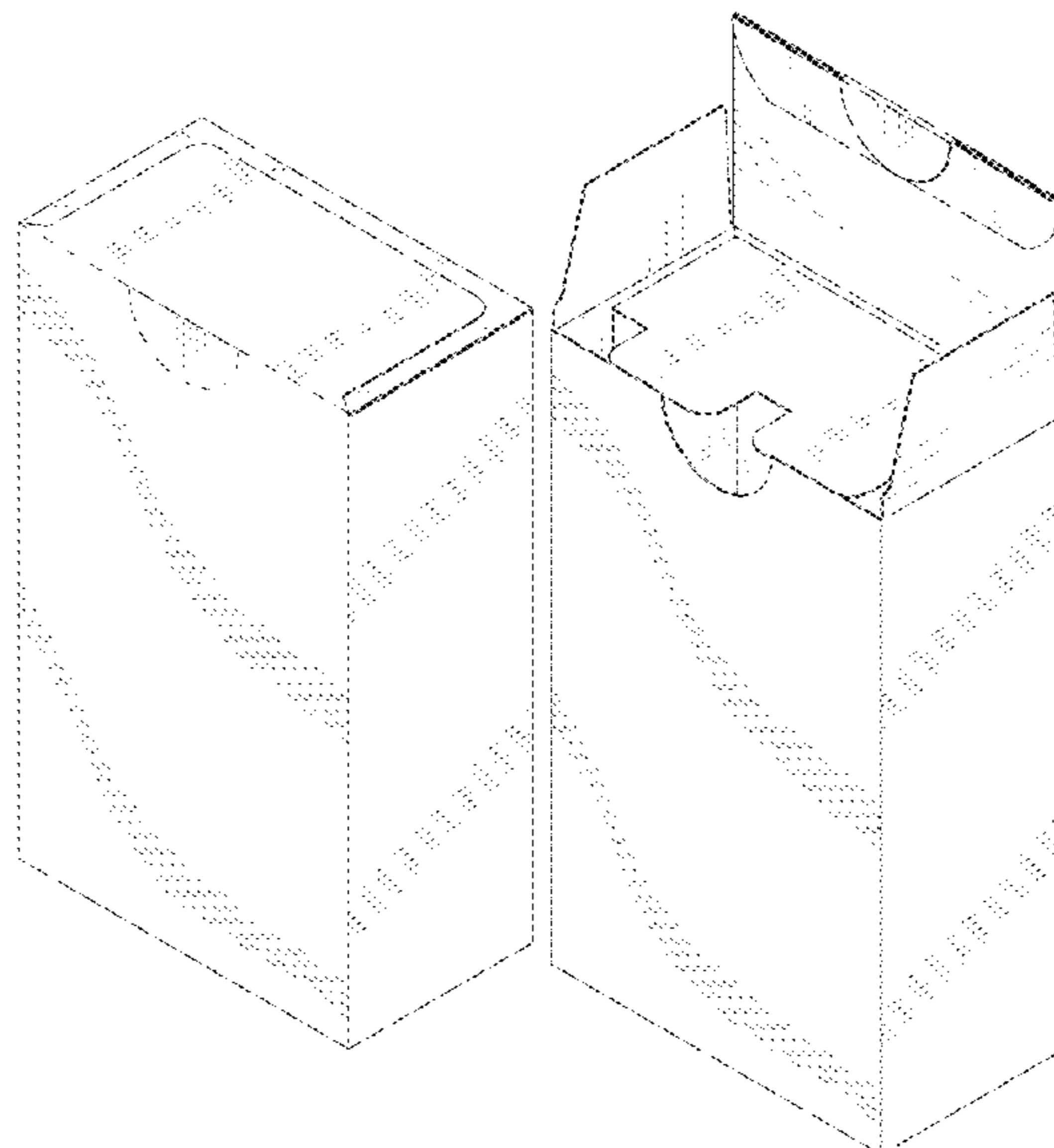
FIG. 19 is a right side elevational view thereof;

FIG. 20 is a top plan view thereof; and,

FIG. 21 is a bottom plan view thereof.

The broken lines in the drawings depict lines along which a portion of the box for packaging may be torn.

1 Claim, 16 Drawing Sheets



(56)

References Cited

U.S. PATENT DOCUMENTS

D846,982 S * 4/2019 Horne D9/418
D855,451 S * 8/2019 Kim D9/416
D863,958 S * 10/2019 Tidwell D9/435
D865,515 S * 11/2019 McKenzie D9/432
D866,311 S * 11/2019 Ito D9/416
D866,312 S * 11/2019 Ito D9/416
2006/0110573 A1 * 5/2006 Peng B65D 5/5035
428/121
2012/0111746 A1 * 5/2012 Tanbo B65D 77/02
206/268
2012/0291401 A1 * 11/2012 Mitten B65D 5/4266
53/415
2016/0368645 A1 * 12/2016 Buse B65B 61/005
2017/0043928 A1 * 2/2017 Piao B65D 5/3657

* cited by examiner

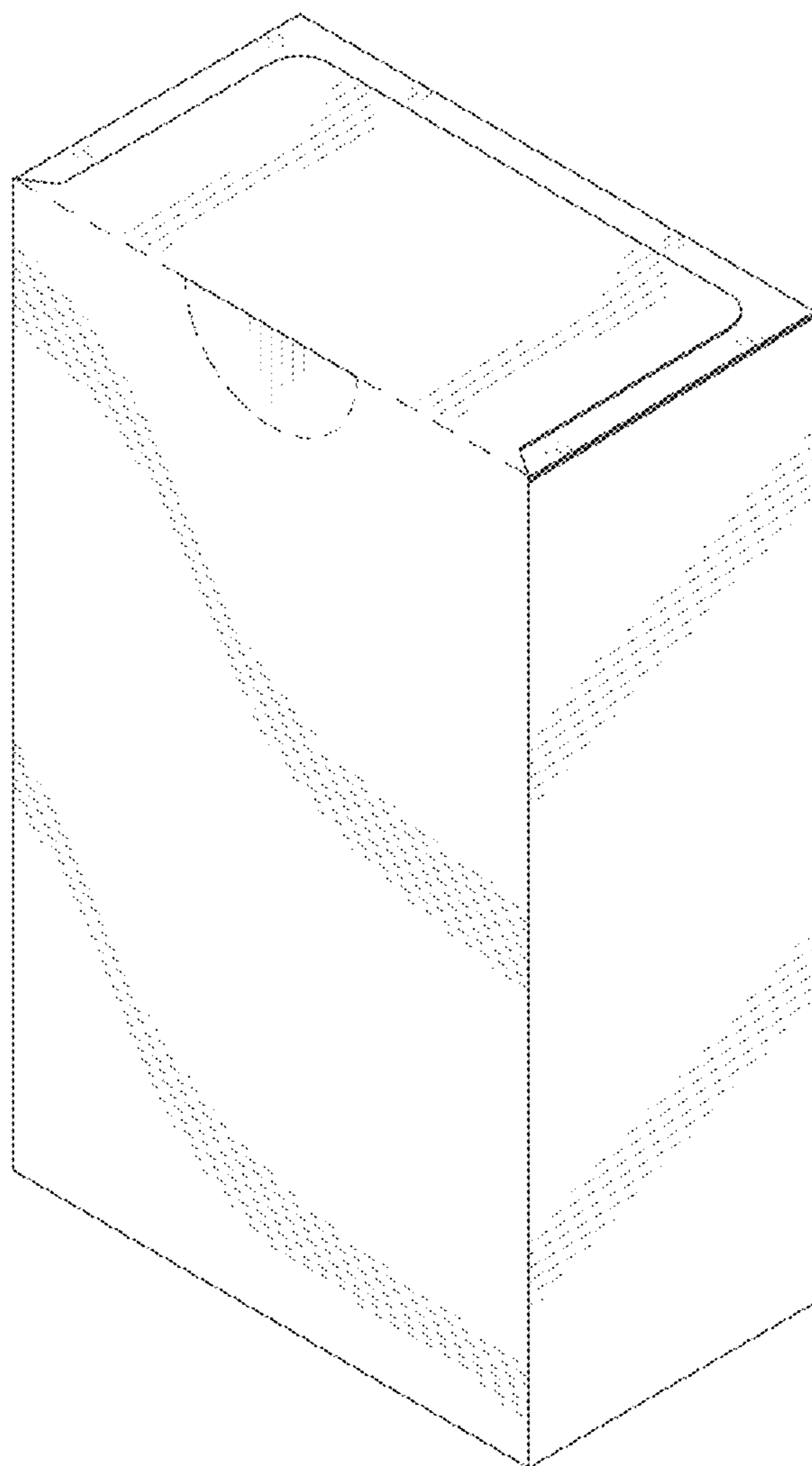


FIG. 1



FIG. 2

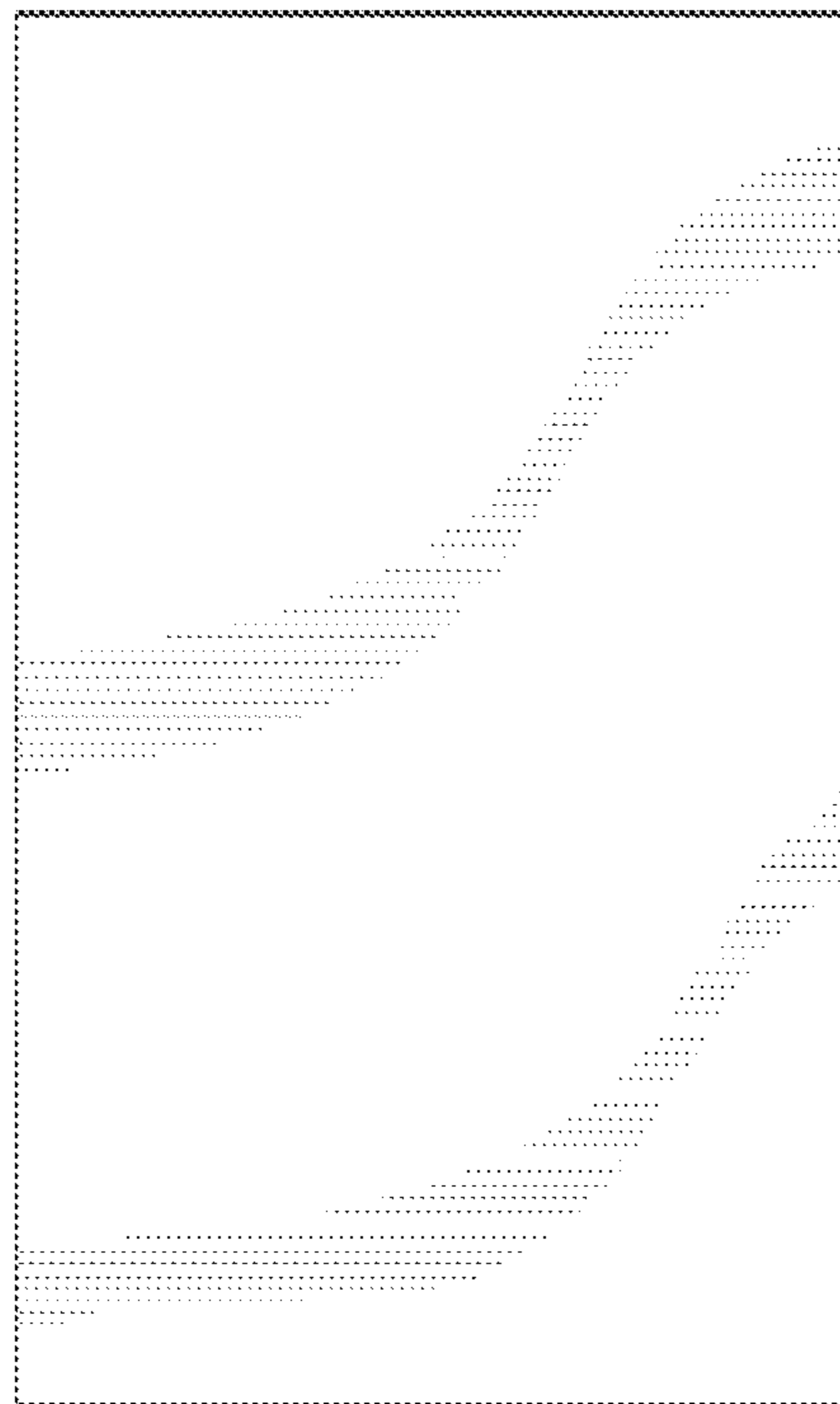


FIG. 3



FIG. 4



FIG. 5

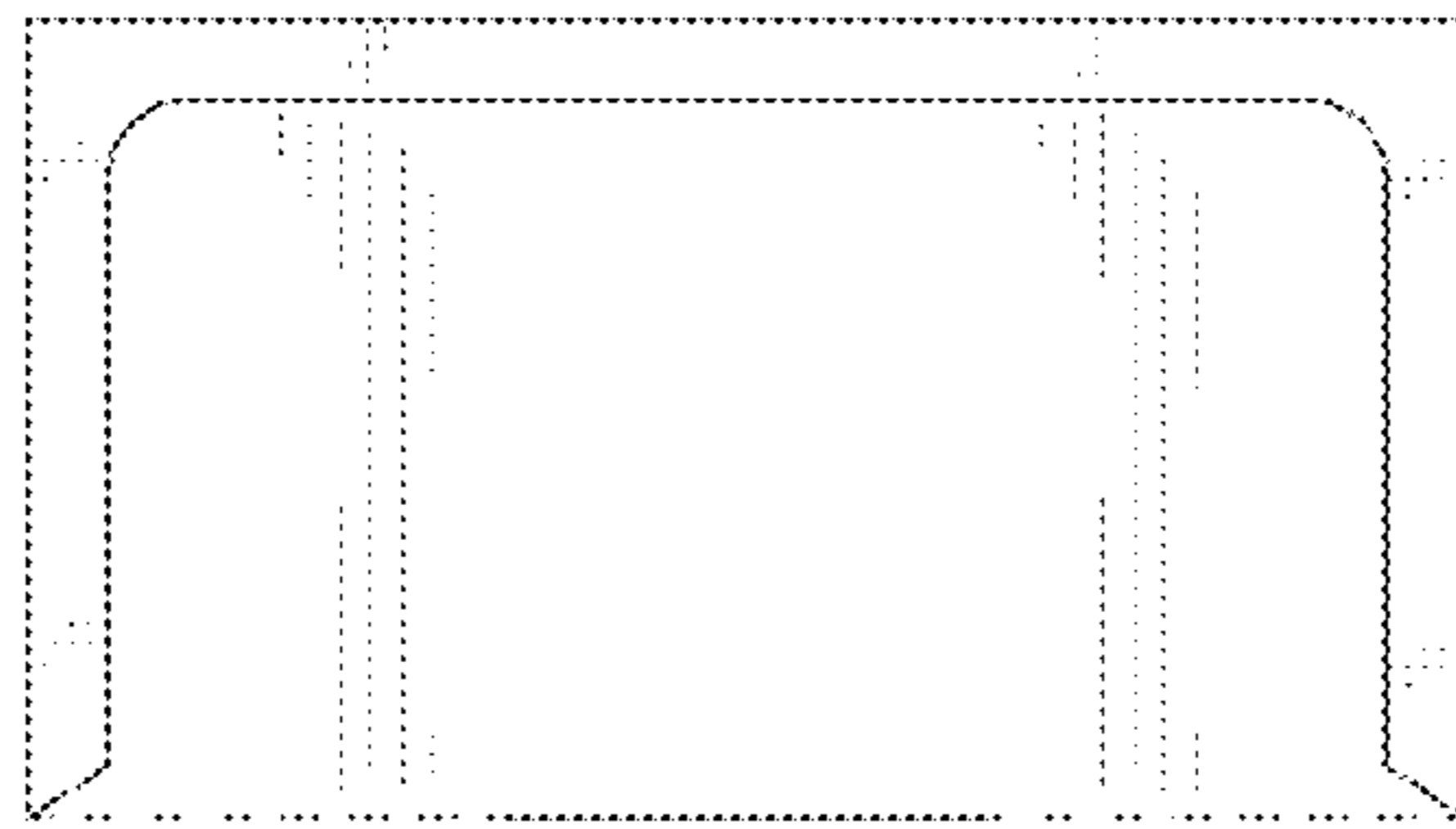


FIG. 6



FIG. 7

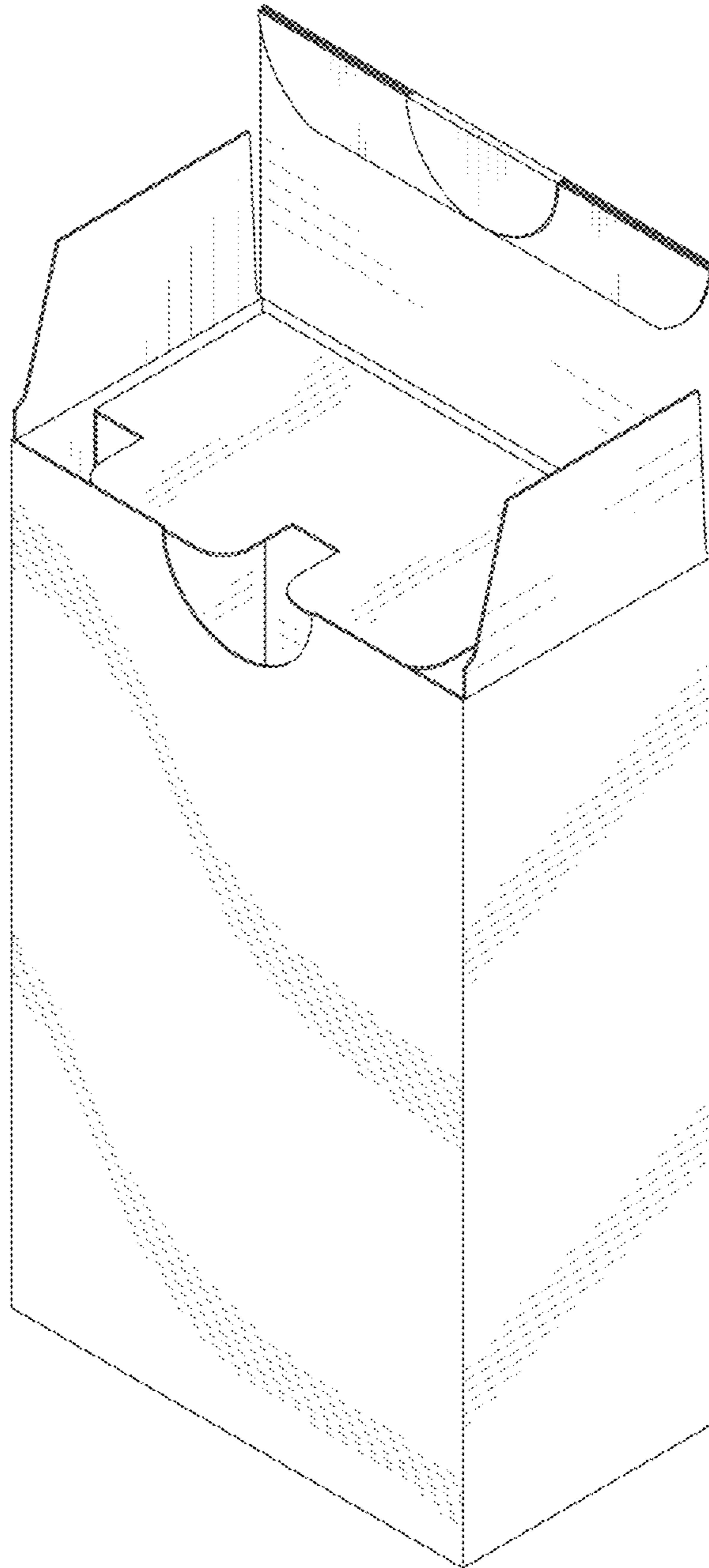


FIG. 8

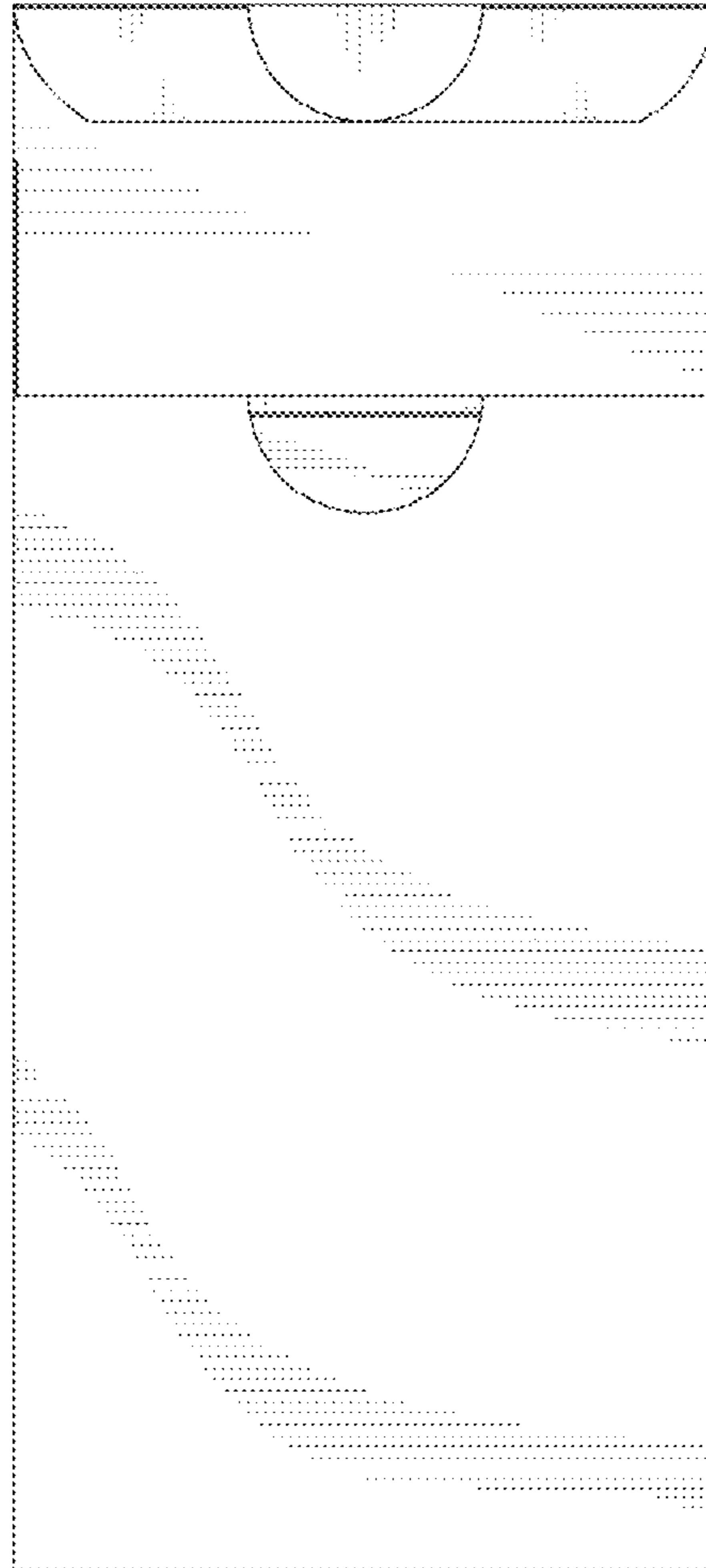


FIG. 9



FIG. 10

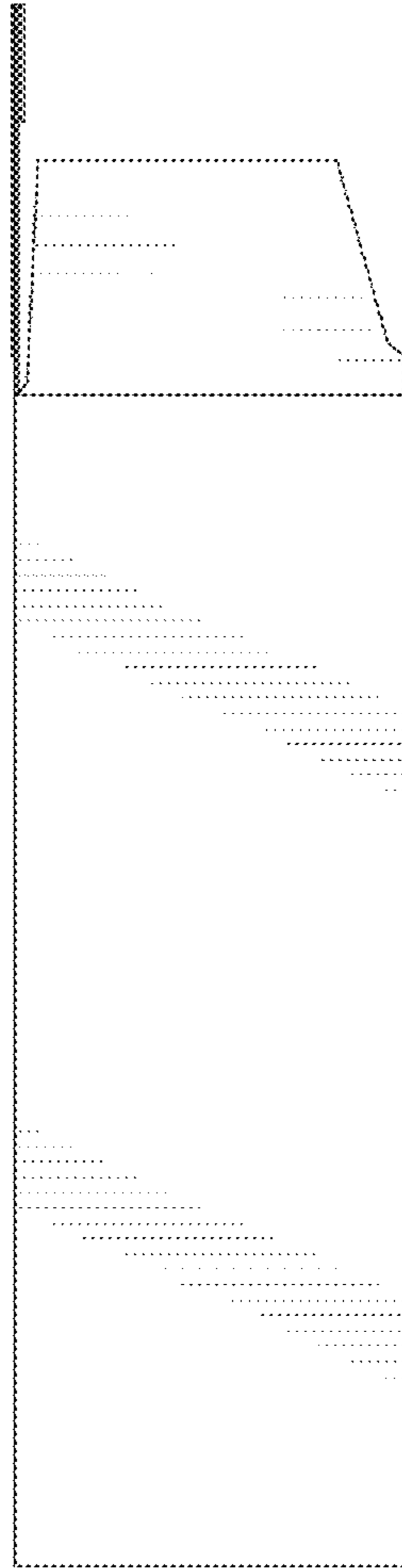


FIG. 11



FIG. 12

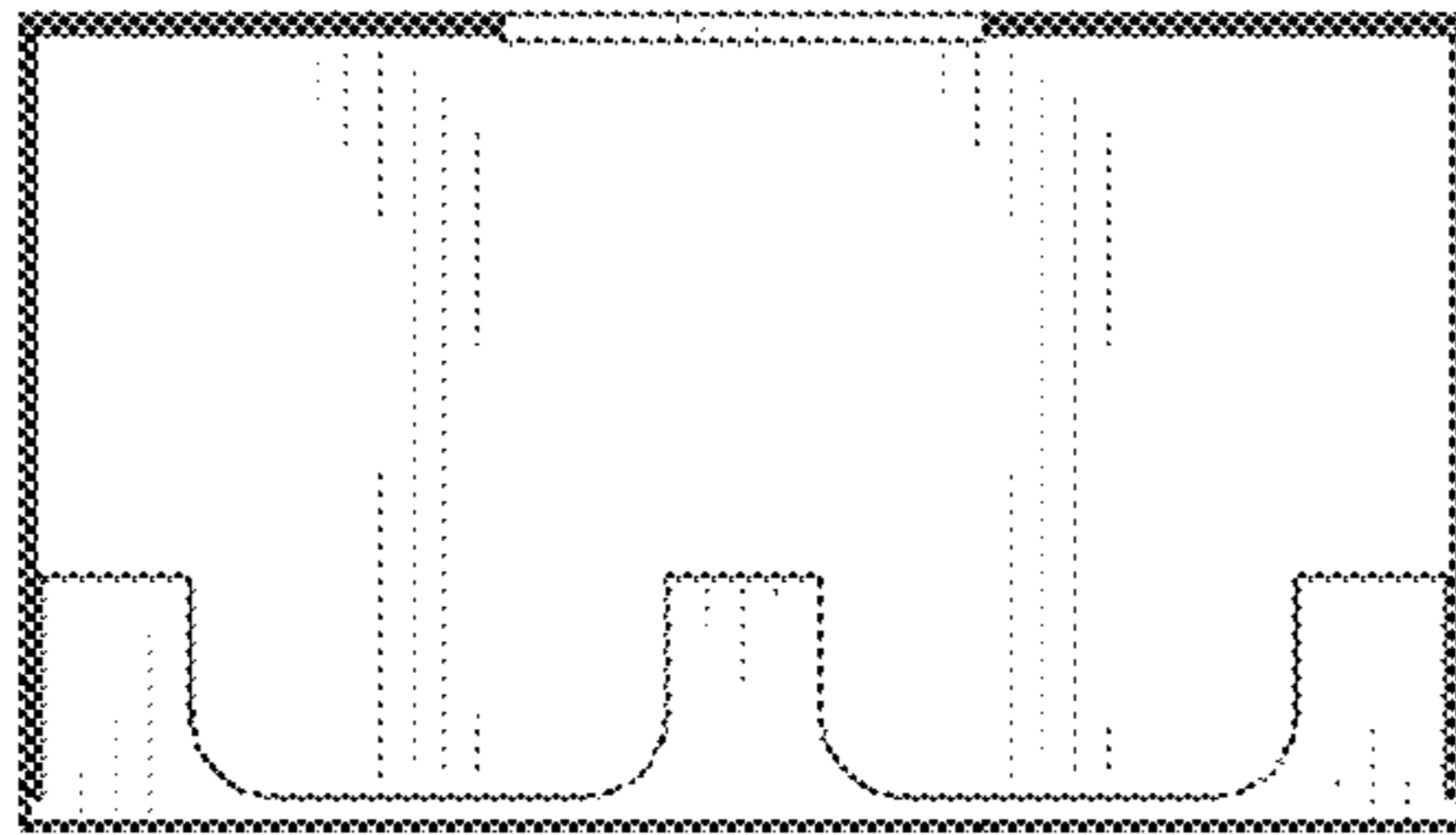


FIG. 13

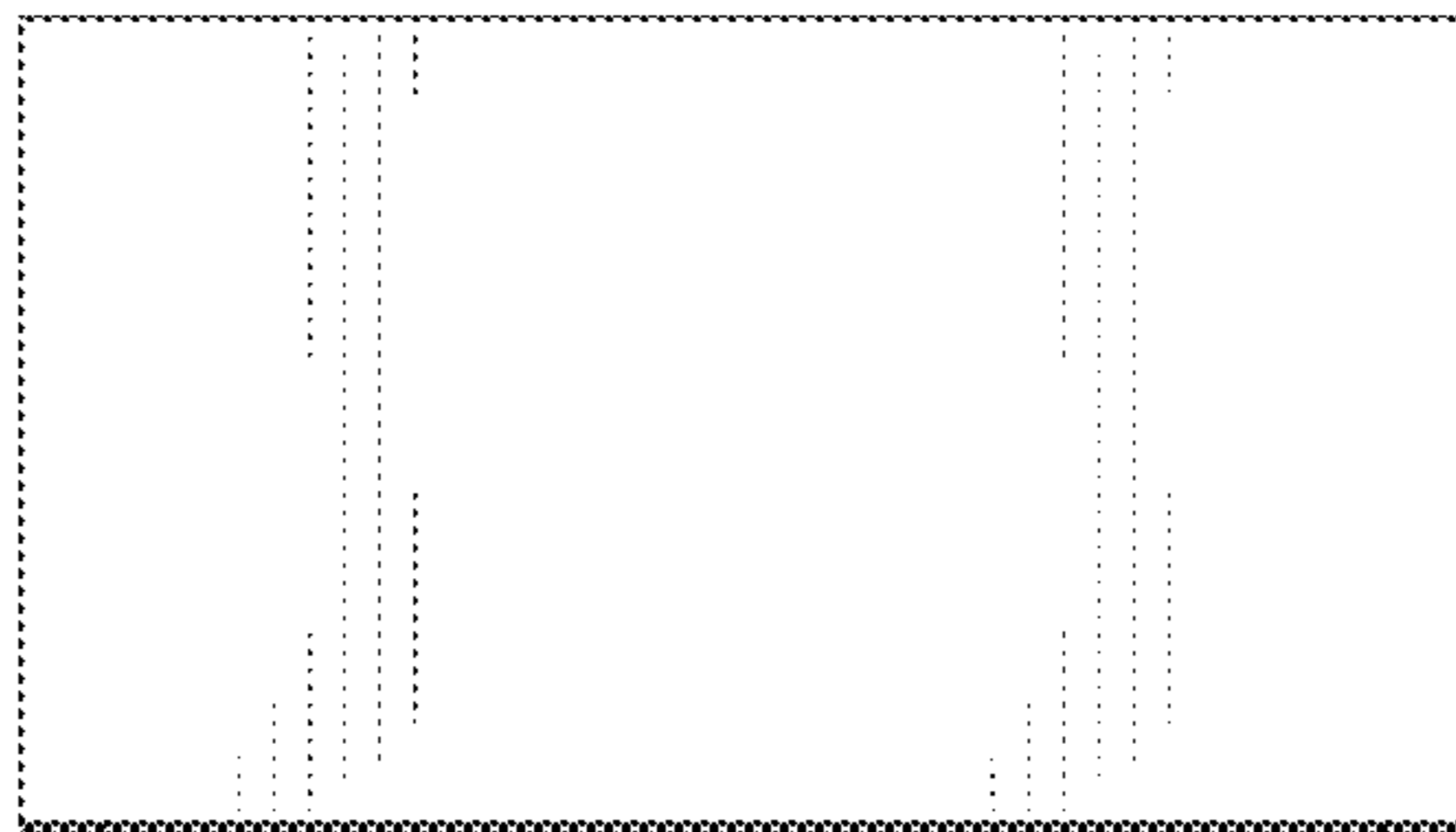


FIG. 14

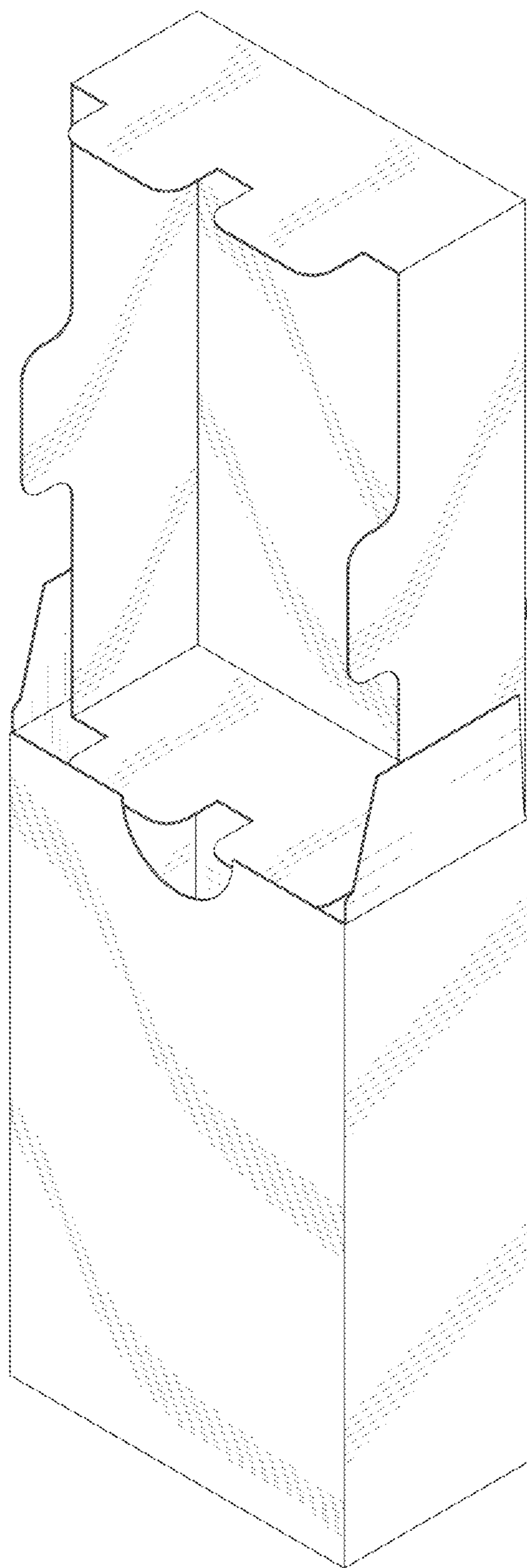


FIG. 15

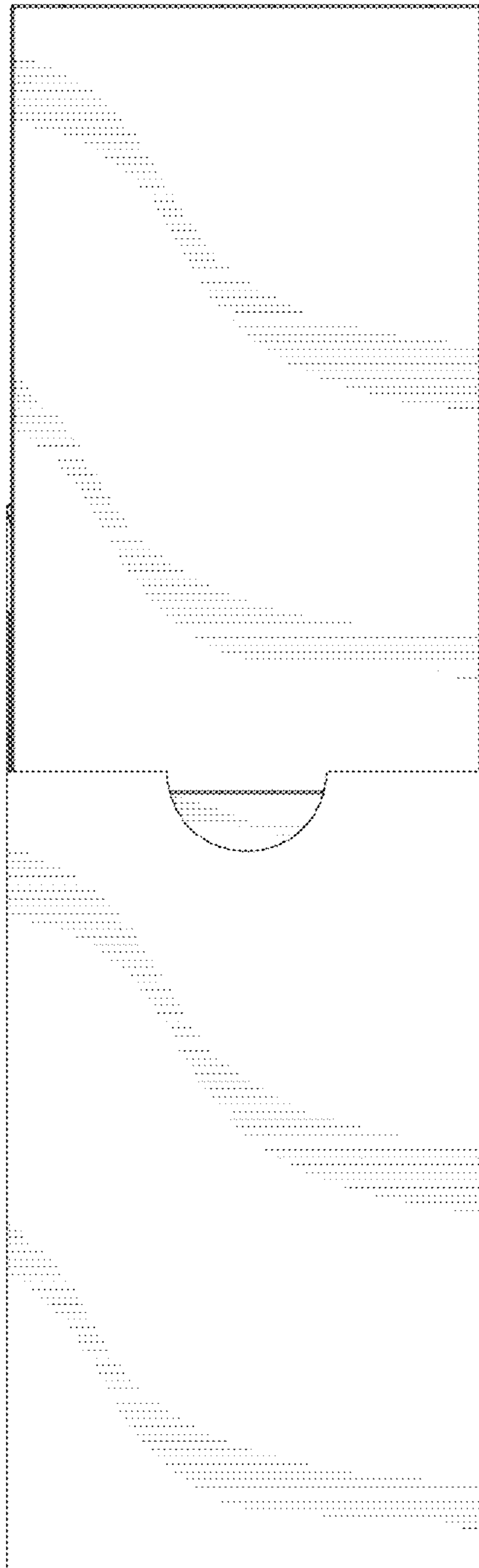


FIG. 16

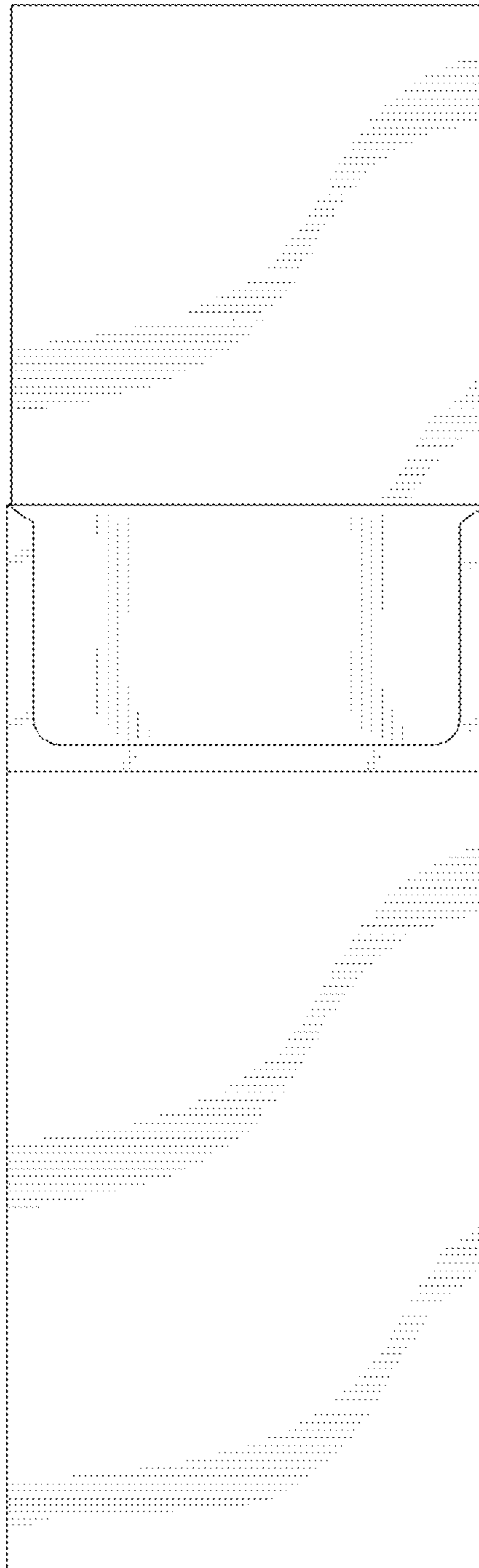


FIG. 17

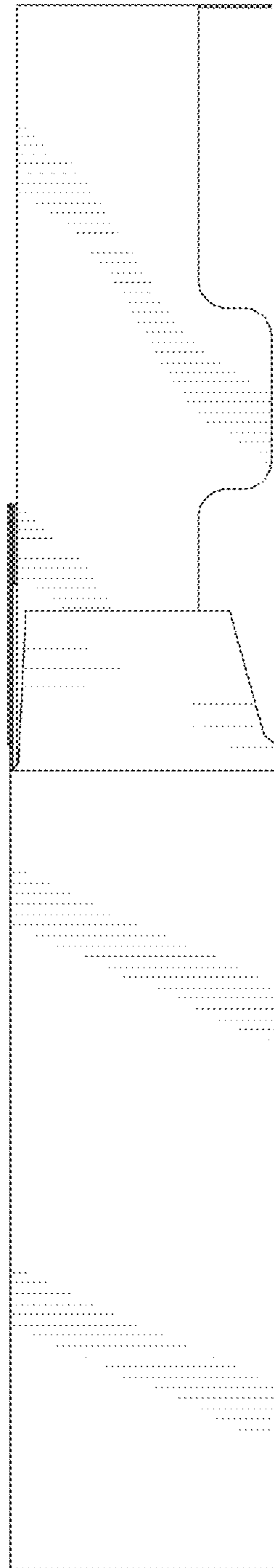


FIG. 18

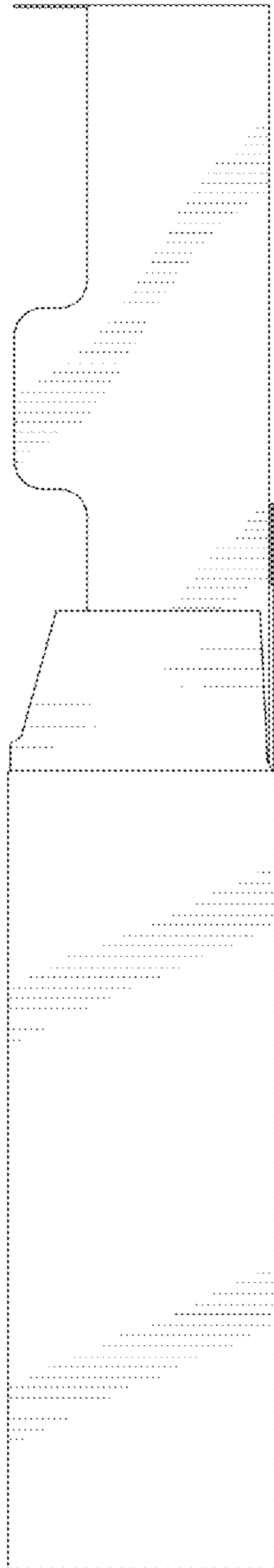


FIG. 19

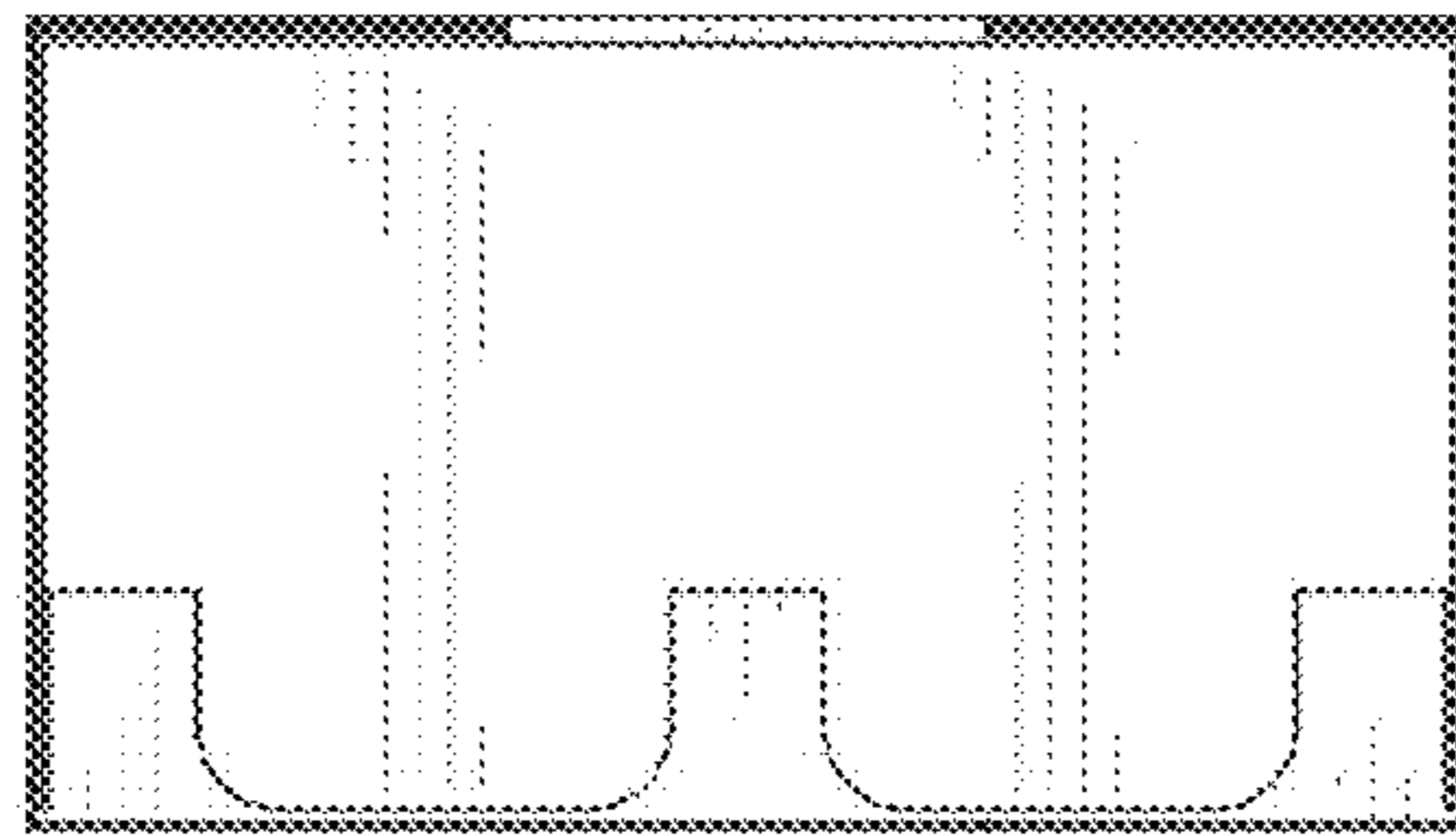


FIG. 20

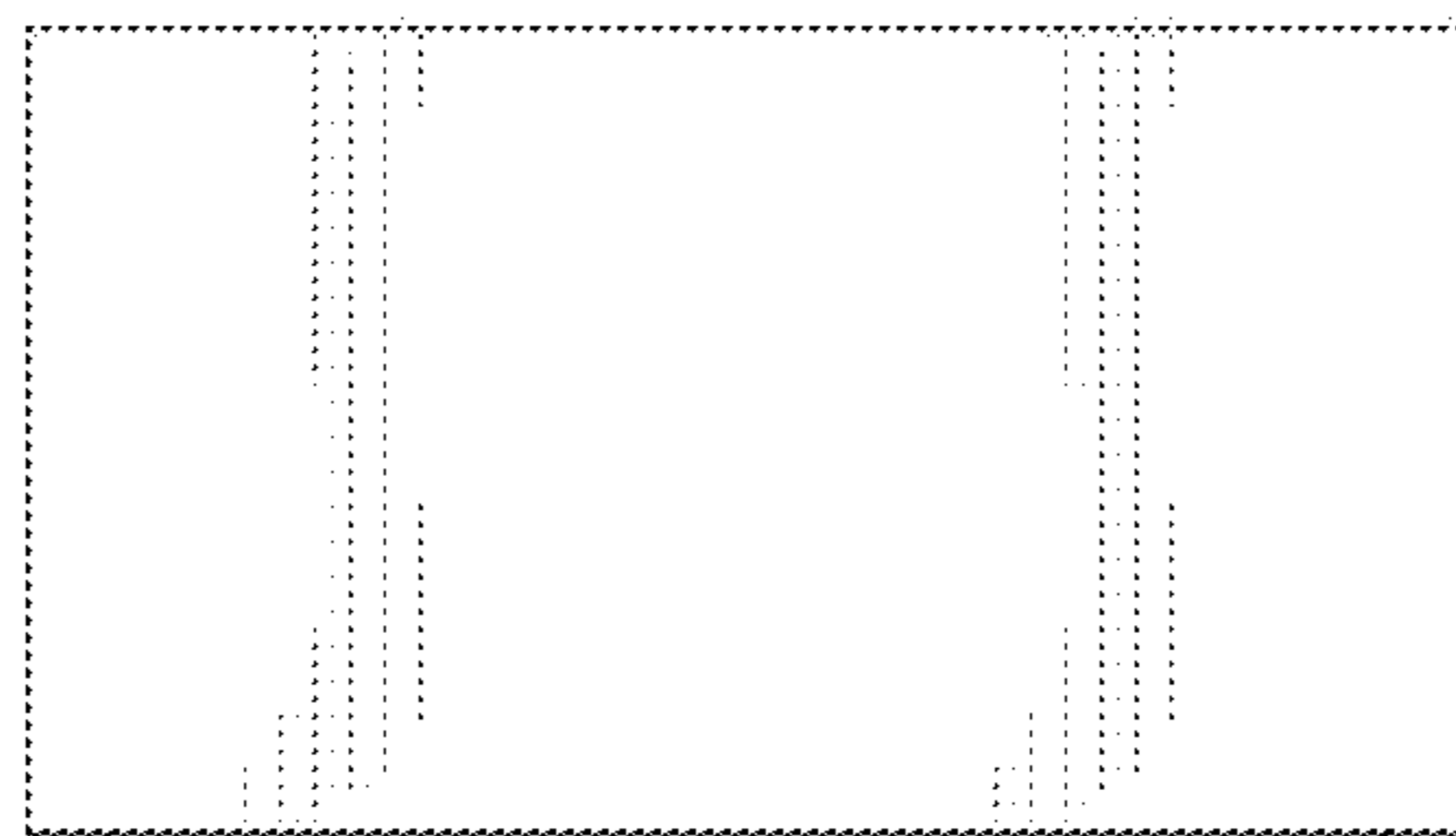


FIG. 21