



US00D904876S

(12) **United States Design Patent**
Down et al.

(10) **Patent No.:** **US D904,876 S**

(45) **Date of Patent:** **** Dec. 15, 2020**

(54) **PACKAGING**

(71) Applicant: **Kraft Foods Schweiz Holding GmbH,**
Zug (CH)

(72) Inventors: **Matthew Down,** Bournville (GB);
Christopher Holt, Bournville (GB)

(73) Assignee: **Kraft Foods Schweiz Holding GmbH,**
Zug (CH)

(**) Term: **15 Years**

(21) Appl. No.: **29/662,772**

(22) Filed: **Sep. 7, 2018**

(51) **LOC (12) Cl.** **09-03**

(52) **U.S. Cl.**
USPC **D9/425**

(58) **Field of Classification Search**
USPC D7/400, 601, 608; D9/416, 417, 420,
D9/425-429, 430, 432, 761; 206/499,
206/501, 502, 821; 220/625, 656, 669,
220/670, 674; 229/123.1, 123.2, 125.33,
229/125.35, 400-407, 915, 939
CPC . B65D 1/26; B65D 1/40; B65D 5/243; B65D
81/3453; B65D 2581/34; B65D
2581/3404; B65D 2581/3456
See application file for complete search history.

(56) **References Cited**

U.S. PATENT DOCUMENTS

D410,840 S * 6/1999 Wyslowsky D9/418
D439,514 S * 3/2001 Burra D9/425
6,644,472 B2 * 11/2003 Coppedge B65D 75/22
206/278
D533,075 S * 12/2006 Snedden D9/717
D566,543 S * 4/2008 Gedanke D9/424
D646,969 S * 10/2011 Snedden D9/425

D676,740 S * 2/2013 Golota D9/420
D686,920 S * 7/2013 Cassius D9/425
D739,231 S * 9/2015 Snedden D9/425
D750,480 S * 3/2016 Snedden D9/426
D851,930 S * 6/2019 Orzeck D3/282

* cited by examiner

Primary Examiner — Janice Patyk

(74) *Attorney, Agent, or Firm* — Fitch, Even, Tabin &
Flannery LLP

(57) **CLAIM**

The ornamental design for a packaging, as shown and
described.

DESCRIPTION

FIG. 1 is a front perspective view of a packaging, showing
our new design;
FIG. 2 is a top plan view thereof;
FIG. 3 is a bottom plan view thereof;
FIG. 4 is a front elevational view thereof;
FIG. 5 is a rear elevational view thereof;
FIG. 6 is a left side elevational view thereof;
FIG. 7 is a right side elevational view thereof;
FIG. 8 is a front perspective view thereof, shown in opened
condition;
FIG. 9 is a top plan view thereof, shown in opened condi-
tion;
FIG. 10 is a bottom plan view thereof, shown in opened
condition;
FIG. 11 is a right side elevational view thereof, shown in
opened condition;
FIG. 12 is a left side elevational view thereof, shown in
opened condition;
FIG. 13 is a front elevational view thereof, shown in opened
condition; and,
FIG. 14 is a rear elevational view thereof, shown in opened
condition.

1 Claim, 14 Drawing Sheets

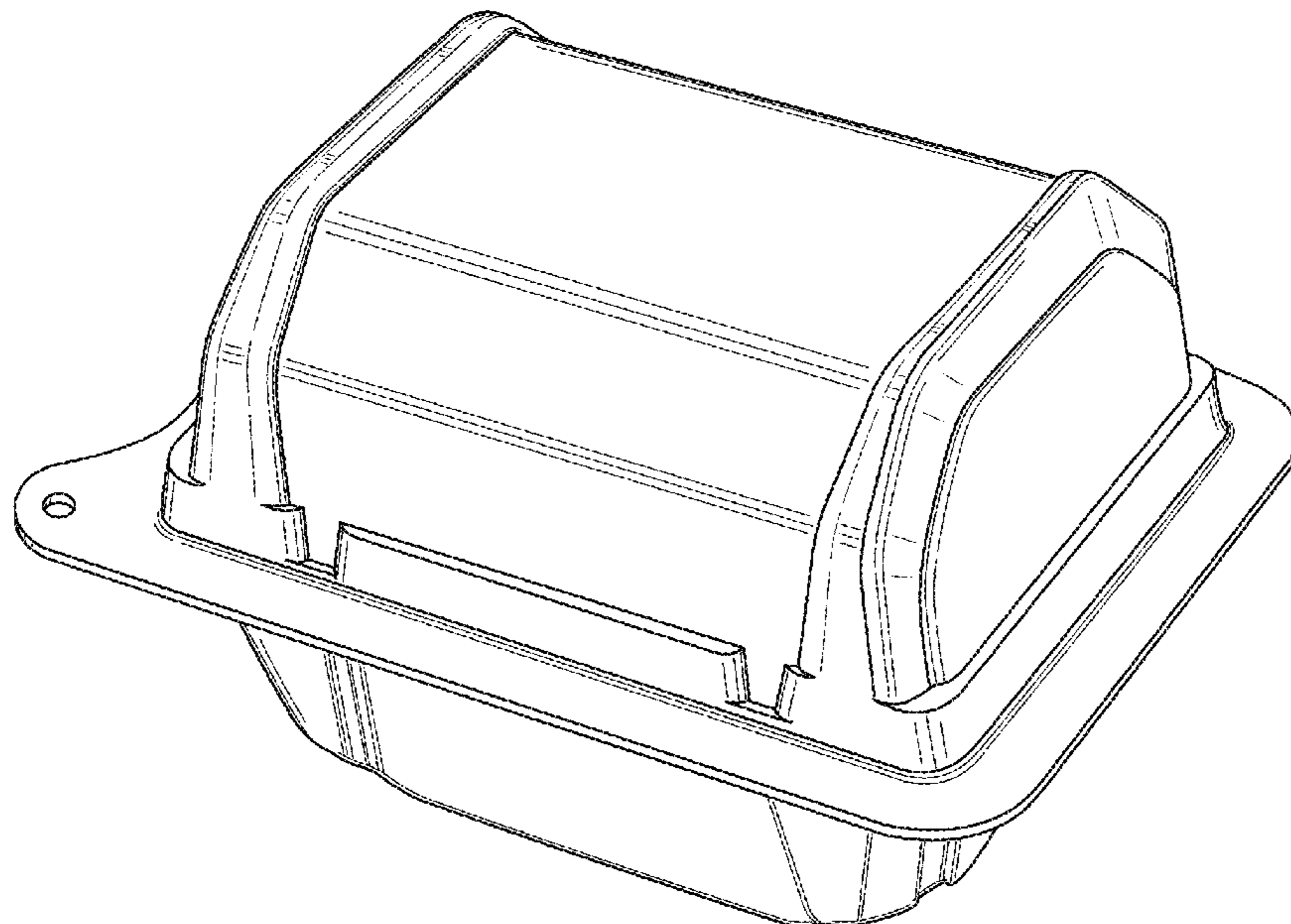


FIG. 1

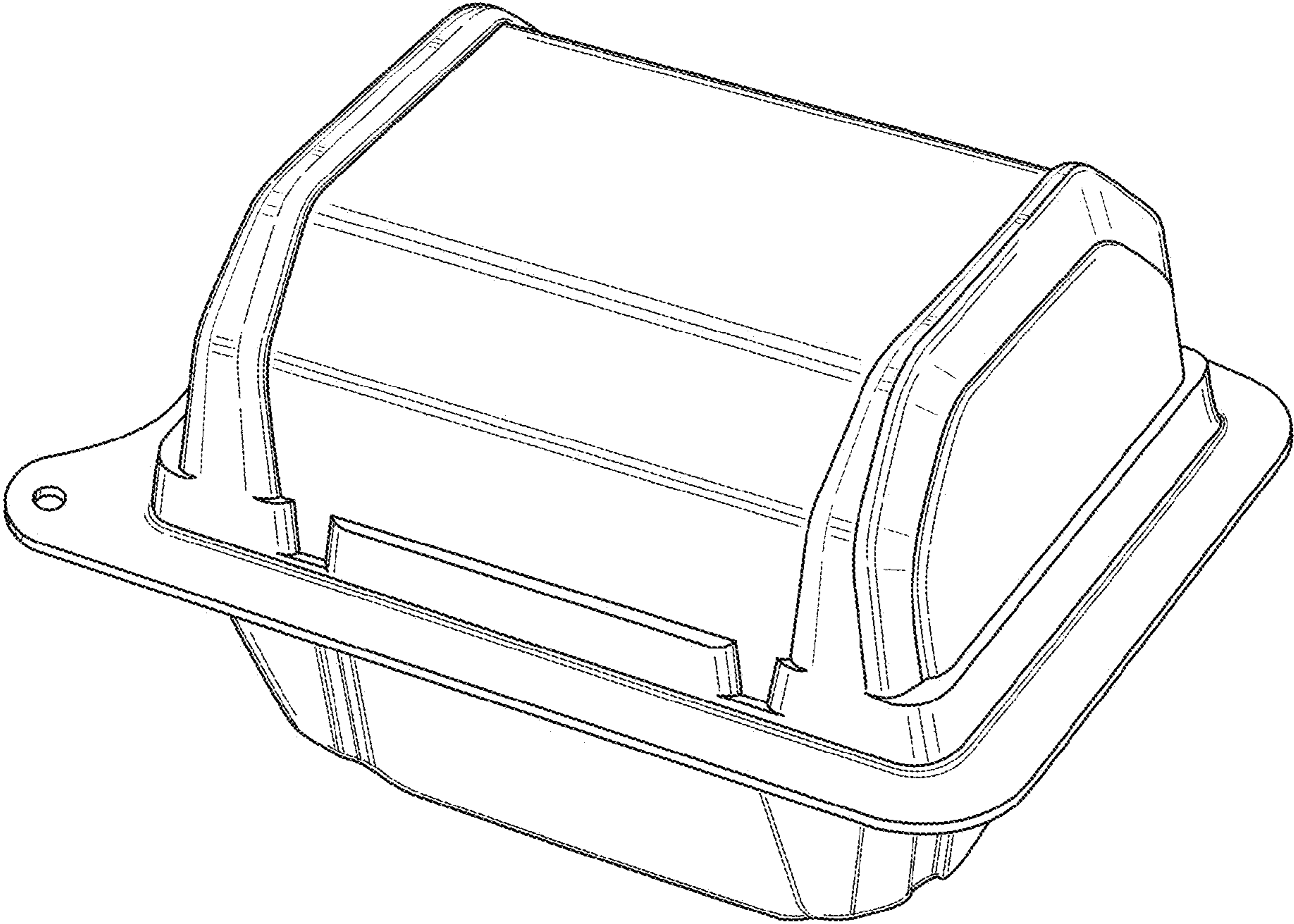


FIG. 2

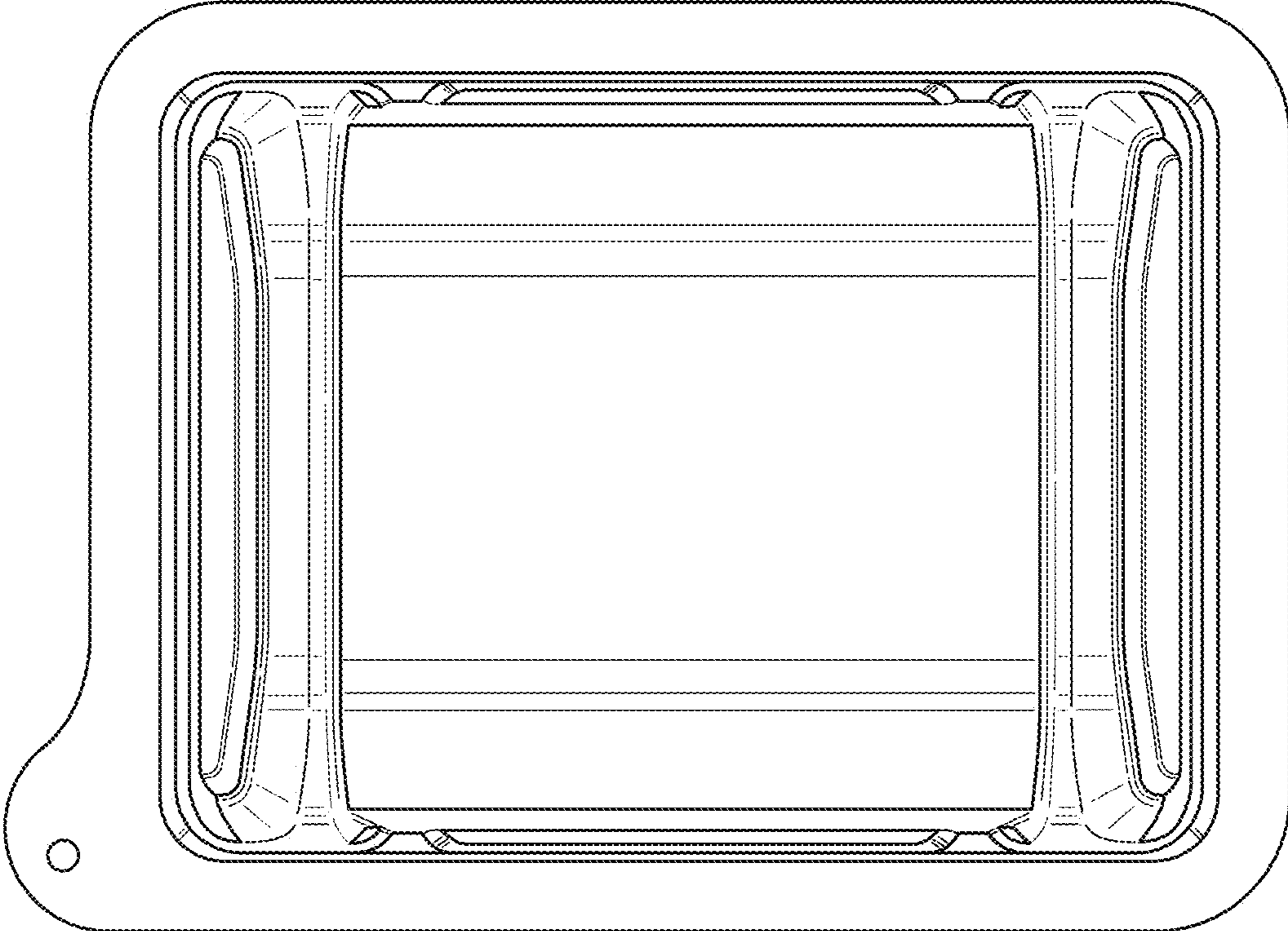


FIG. 3

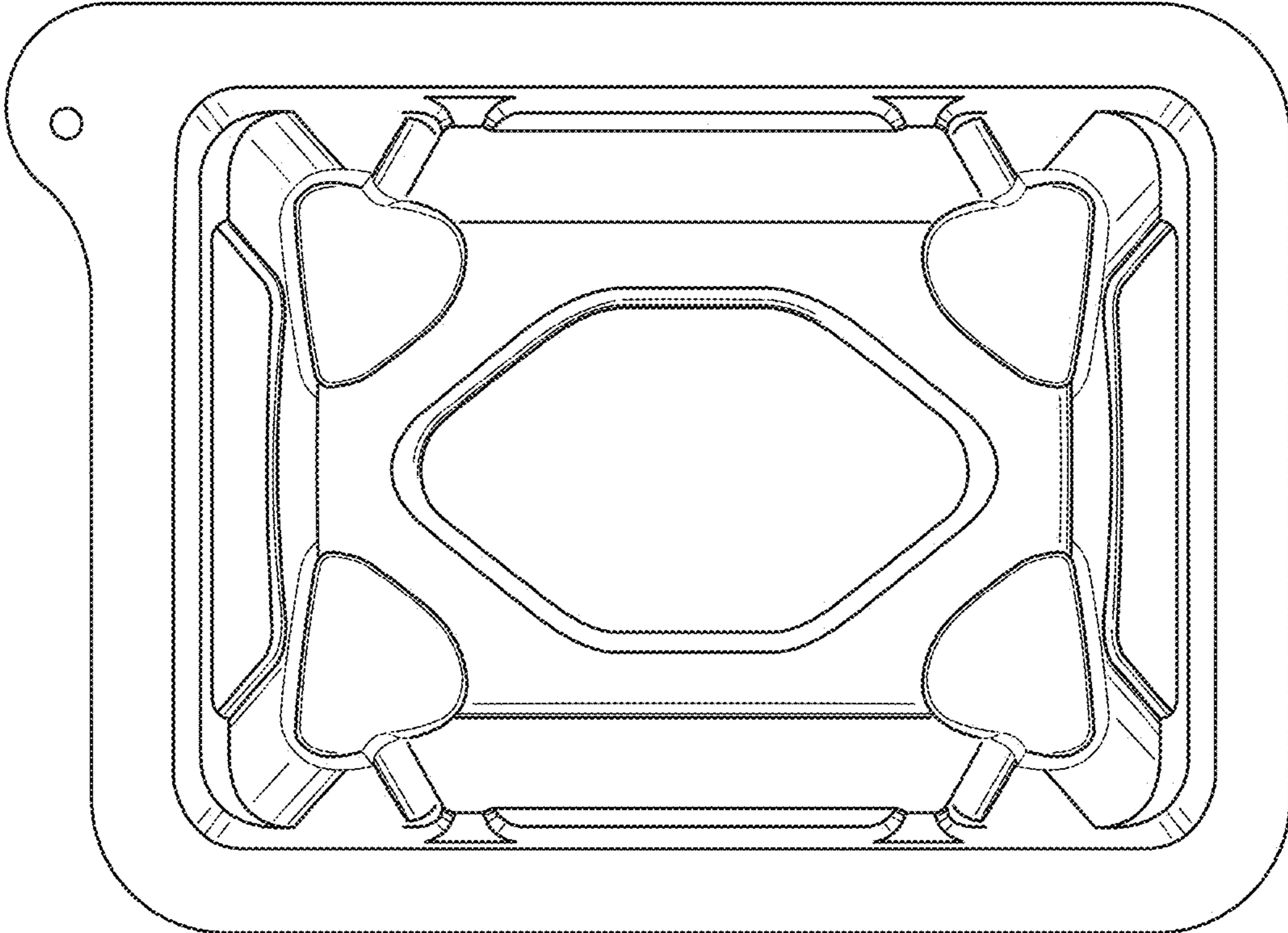


FIG. 4

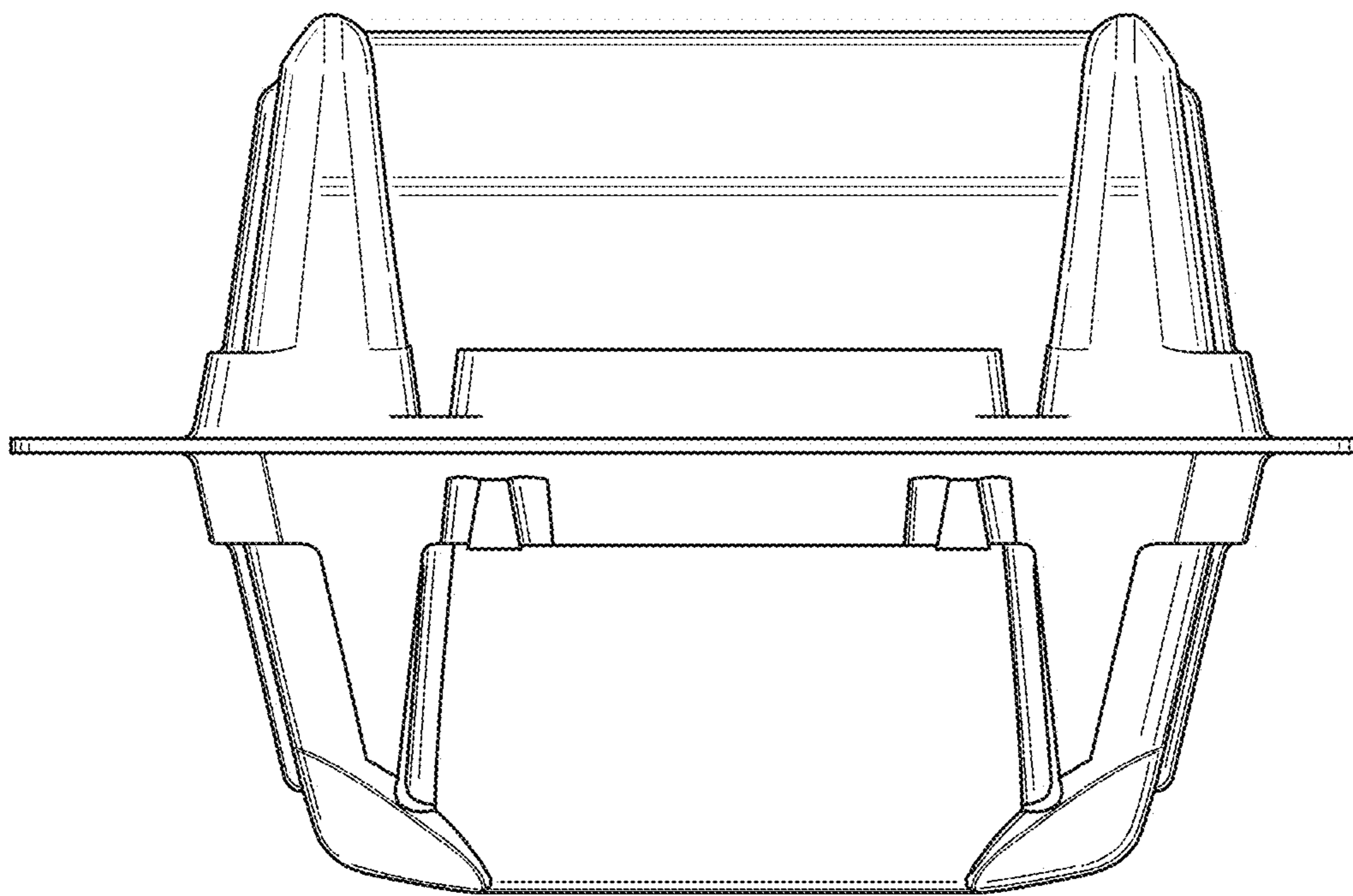


FIG. 5

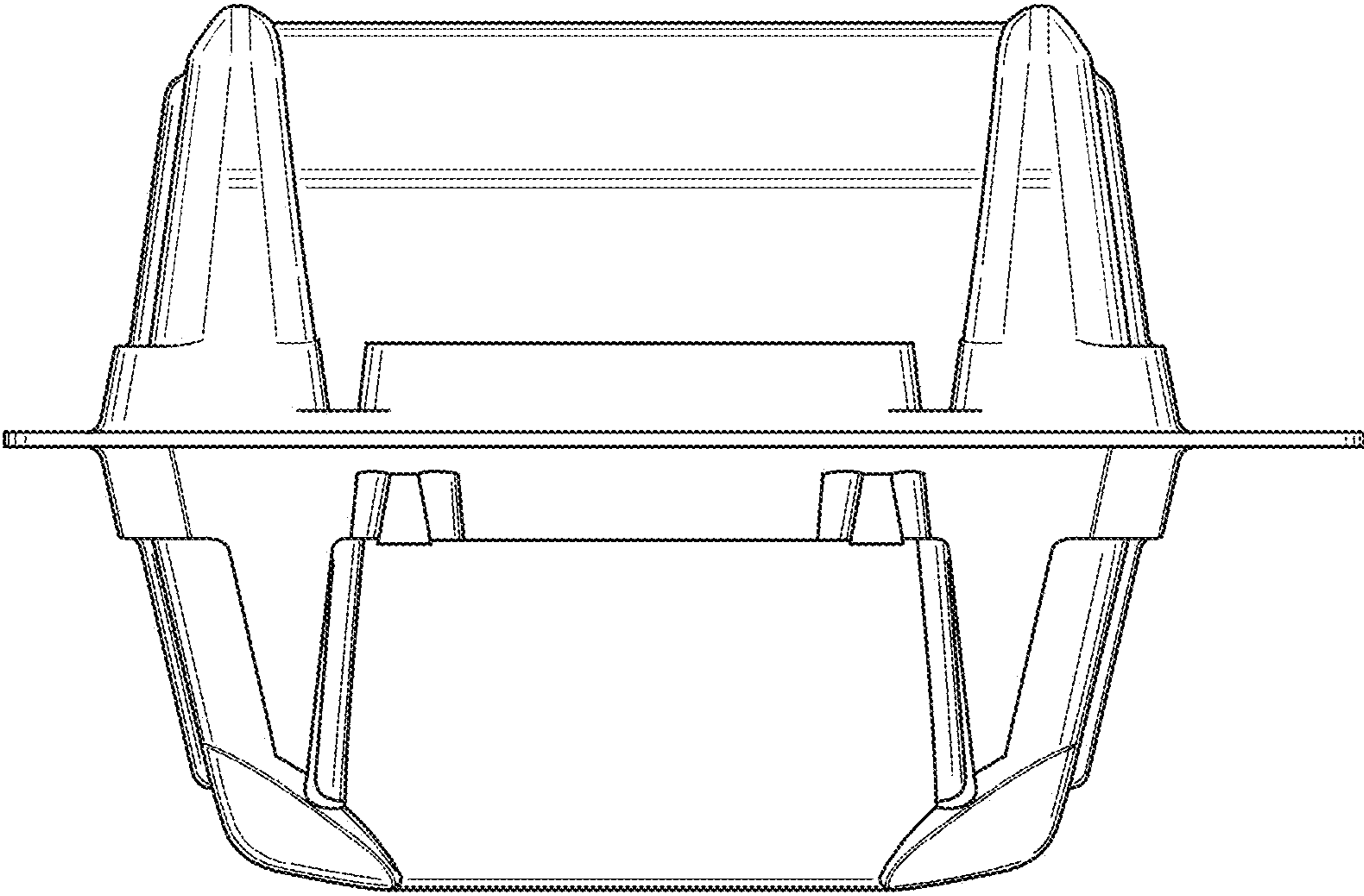


FIG. 6

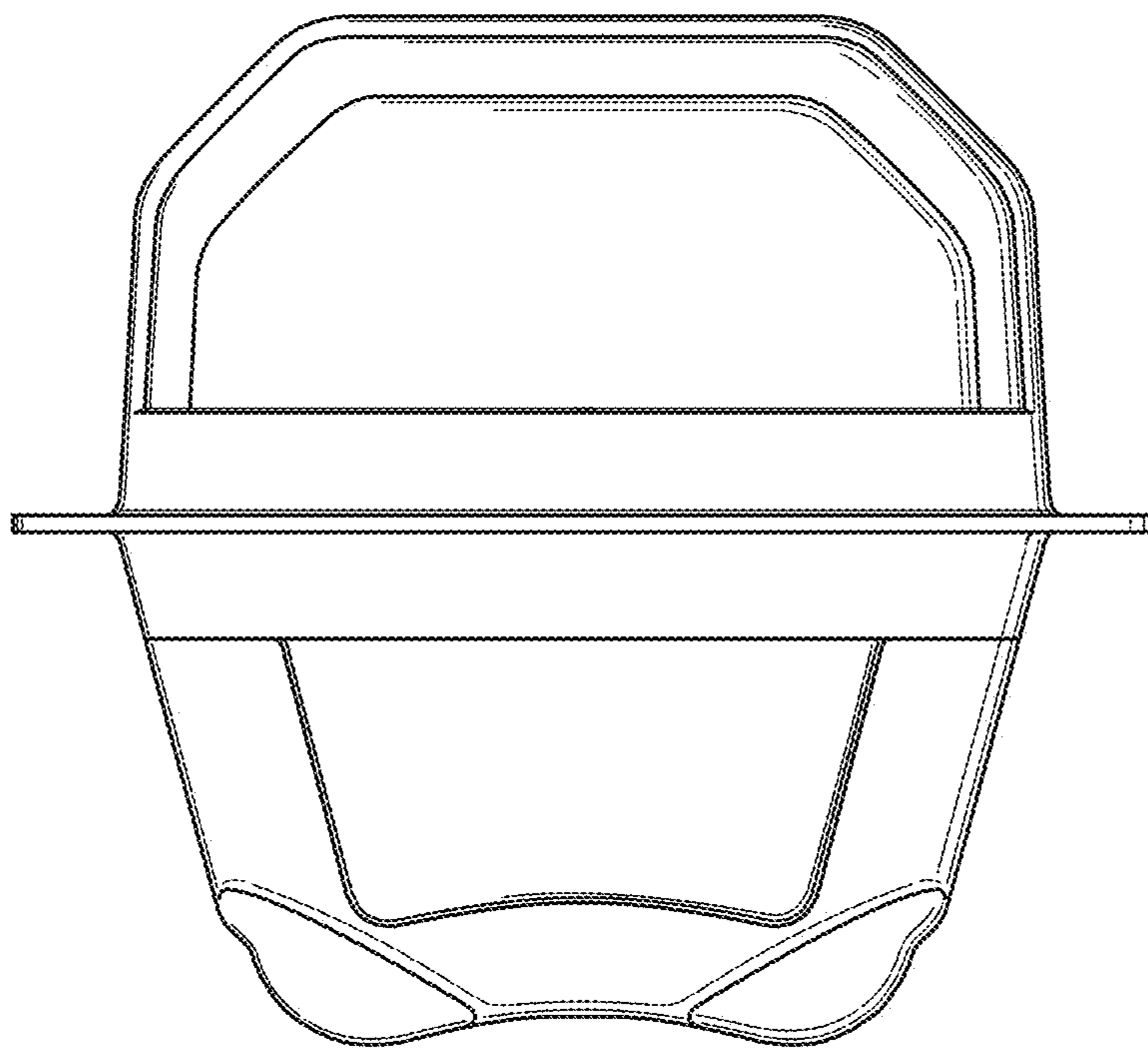


FIG. 7

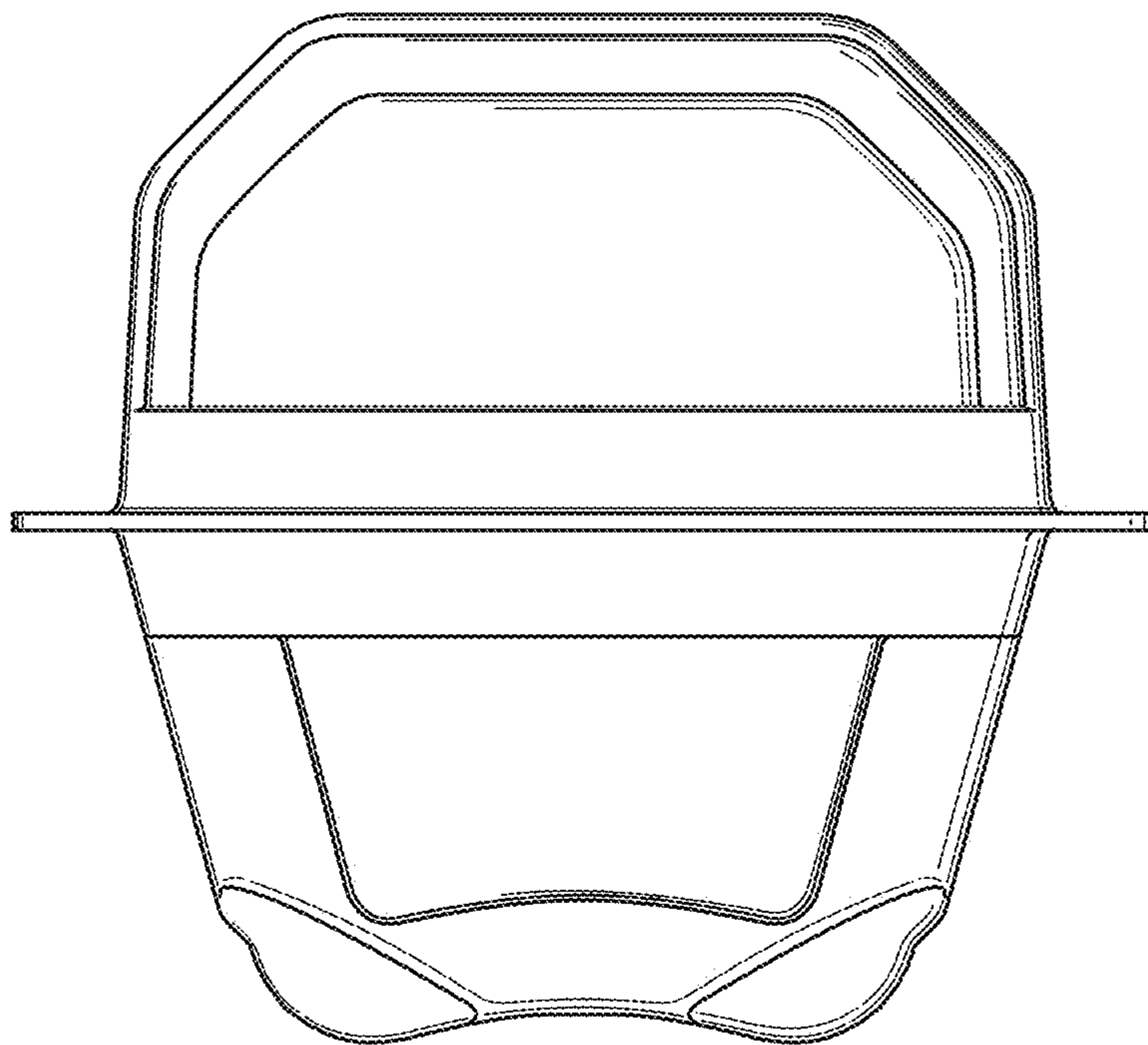


FIG. 8

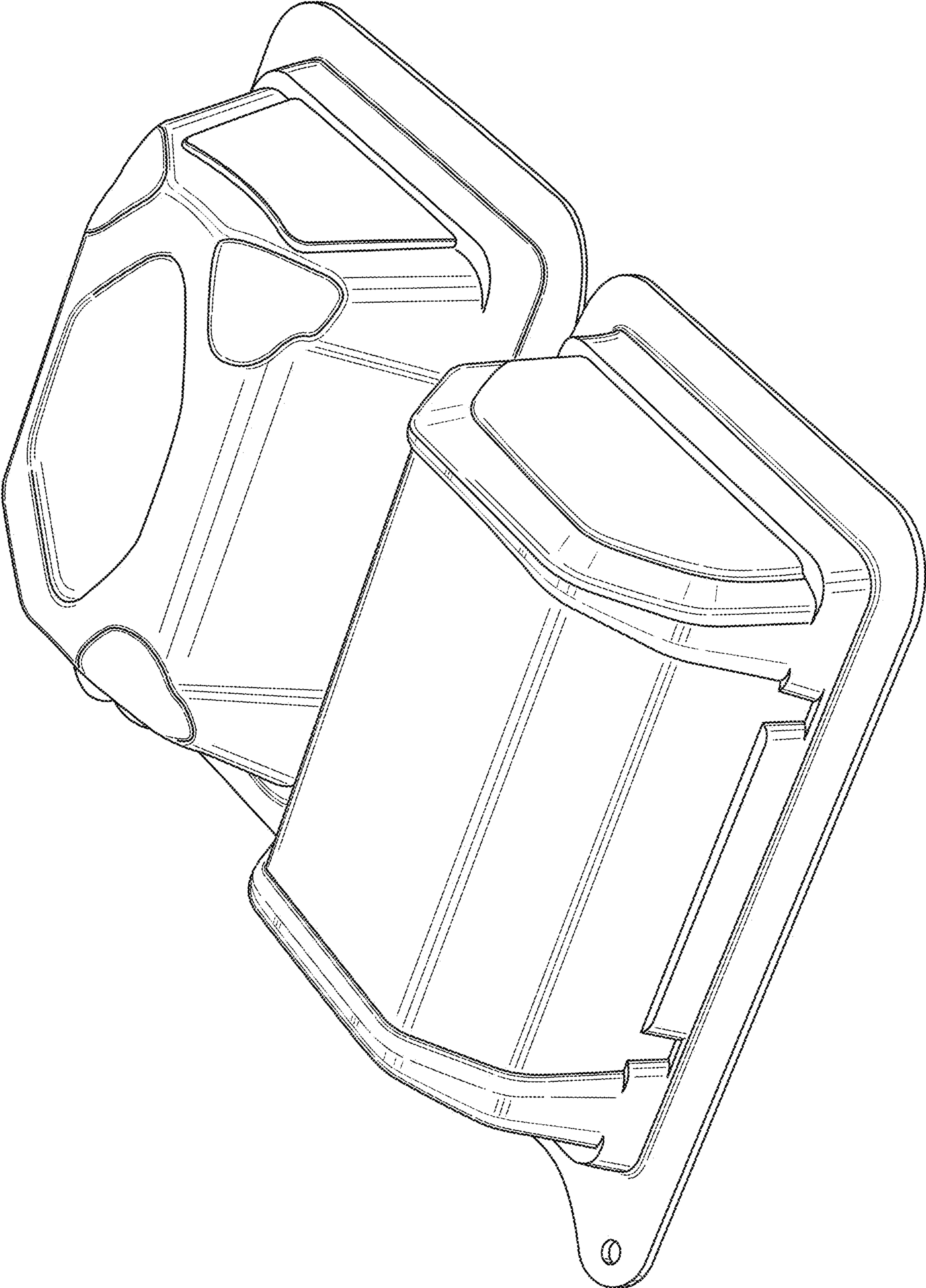


FIG. 9

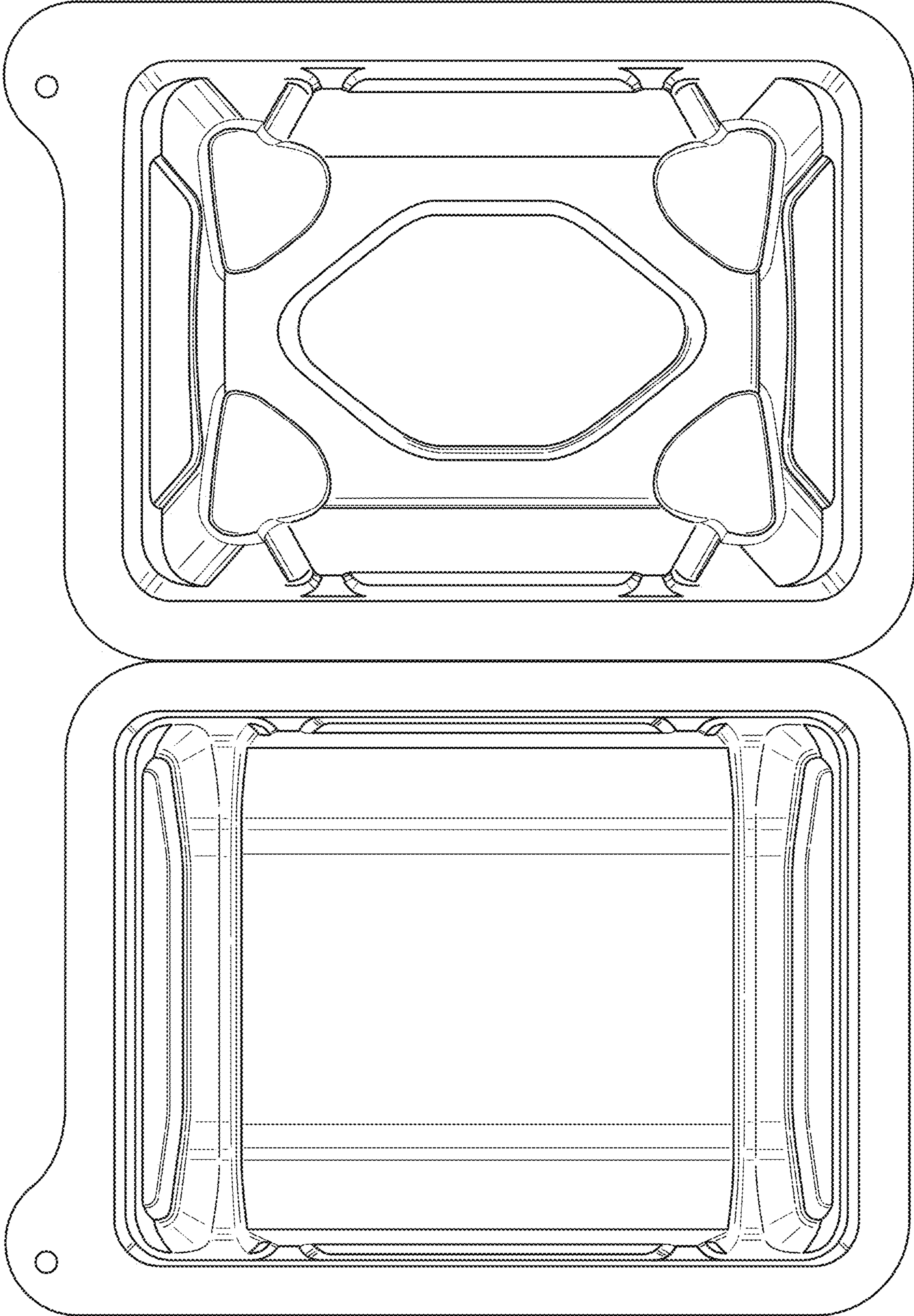


FIG. 10

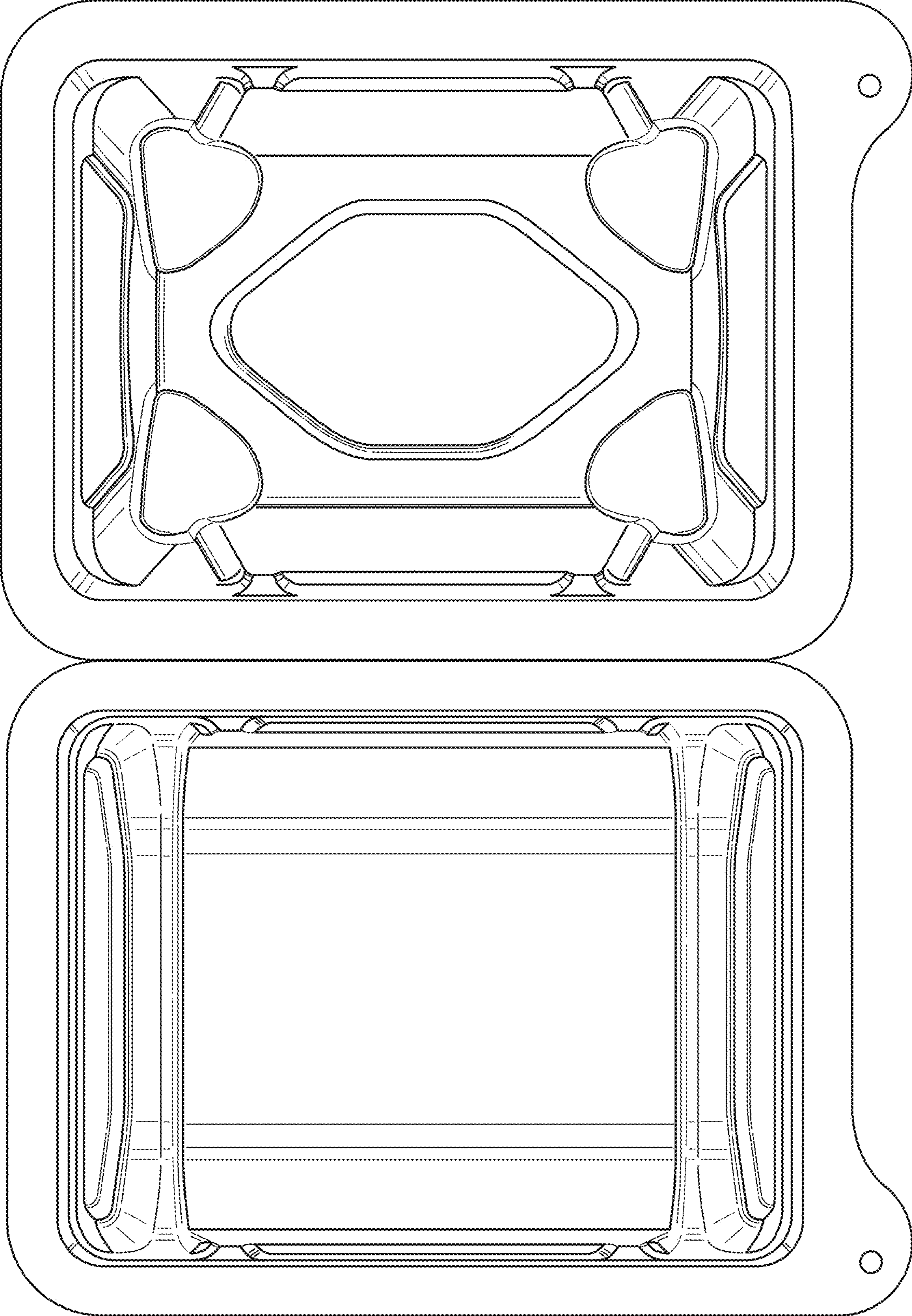


FIG. 11

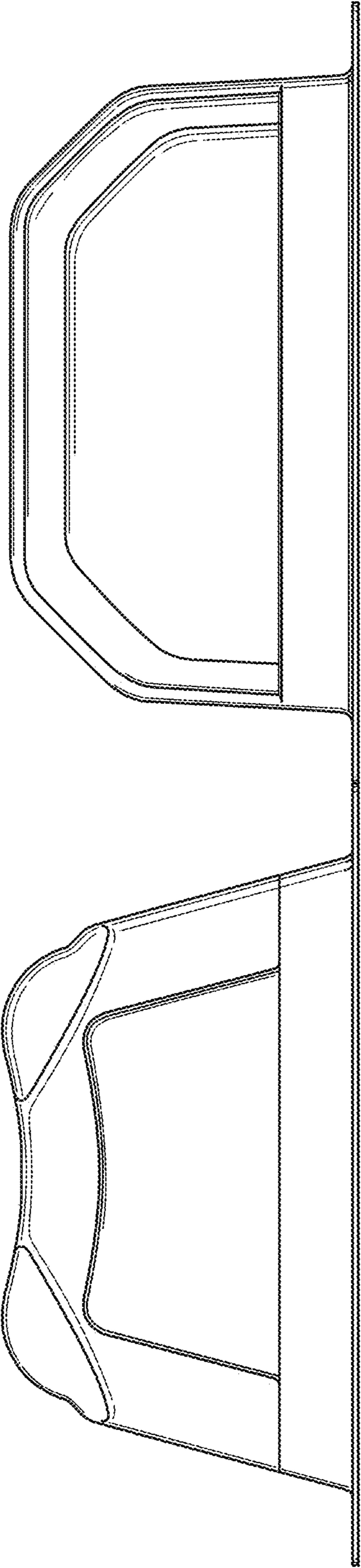


FIG. 12

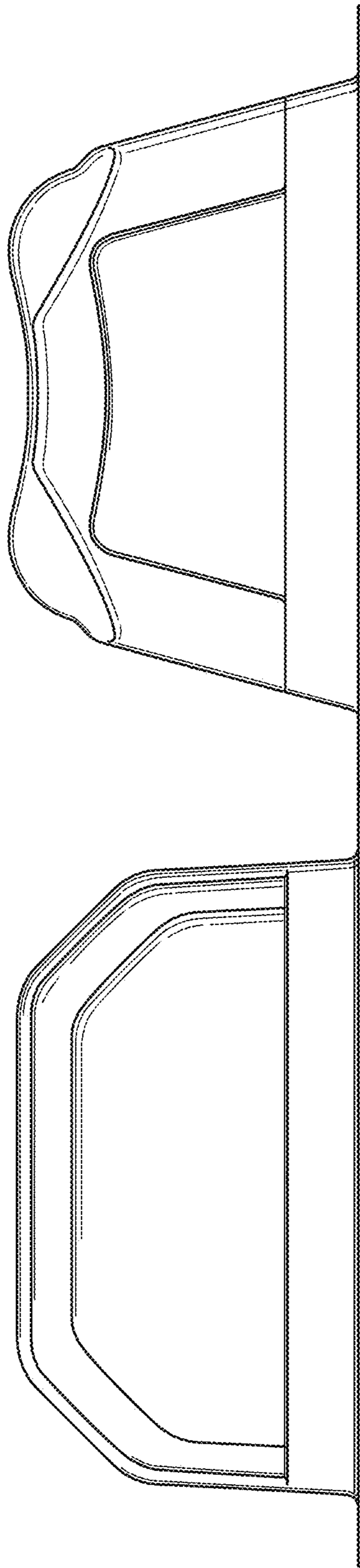


FIG. 13

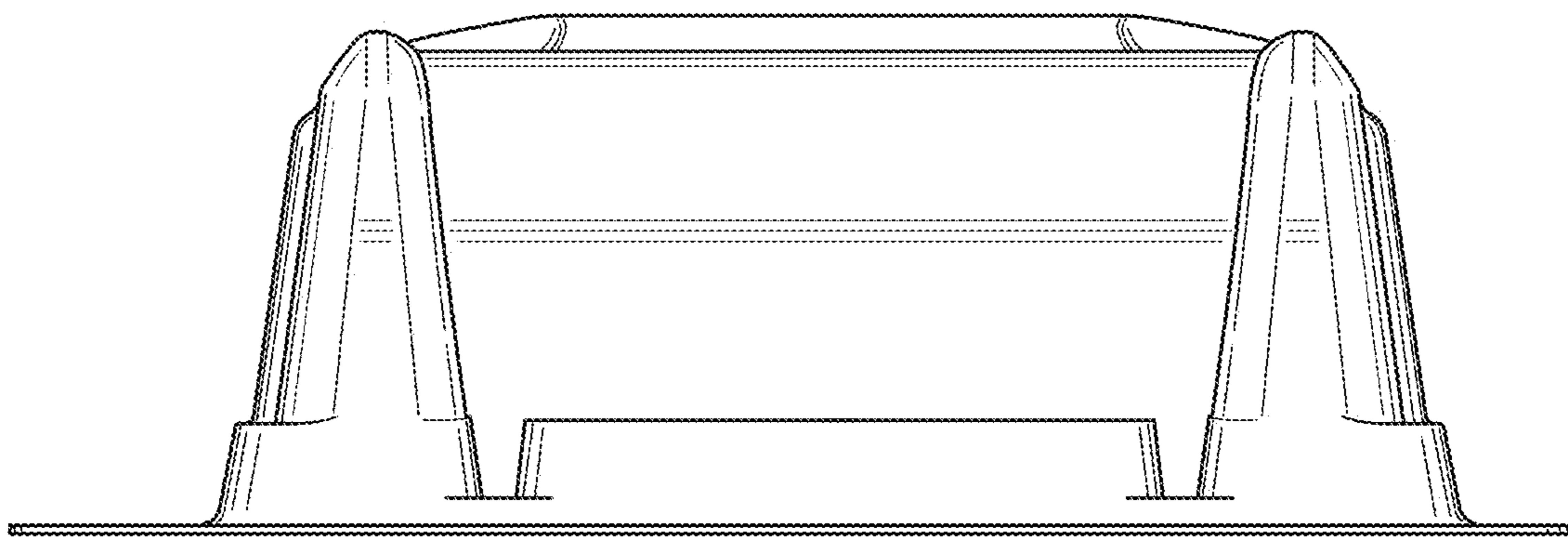


FIG. 14

