



US00D904875S

(12) **United States Design Patent** (10) **Patent No.:** **US D904,875 S**  
**Giraud et al.** (45) **Date of Patent:** **\*\* \*Dec. 15, 2020**

(54) **CONTAINER FOR STORAGE**

D311,334 S \* 10/1990 Flynn ..... D7/629  
D320,742 S \* 10/1991 Phan ..... D3/20  
D334,028 S \* 3/1993 Tam ..... D19/86

(71) Applicant: **CSP TECHNOLOGIES, INC.**,  
Auburn, AL (US)

(Continued)

(72) Inventors: **Jean-Pierre Giraud**, Auburn, AL (US);  
**Herve Pichot**, Chennevieres-sur-Marne  
(FR); **Franklin Lee Lucas, Jr.**,  
Opelika, AL (US)

*Primary Examiner* — Rhea Shields

(74) *Attorney, Agent, or Firm* — David B. Gornish;  
Eckert Seamans Cherin & Mellott LLC

(73) Assignee: **CSP TECHNOLOGIES, INC.**,  
Auburn, AL (US)

(57) **CLAIM**

The ornamental design for a container for storage, as shown  
and described.

(\* ) Notice: This patent is subject to a terminal dis-  
claimer.

**DESCRIPTION**

(\*\*) Term: **15 Years**

(21) Appl. No.: **29/554,822**

(22) Filed: **Feb. 16, 2016**

(51) **LOC (12) Cl.** ..... **09-03**

(52) **U.S. Cl.**  
USPC ..... **D9/423**

(58) **Field of Classification Search**  
USPC ..... D9/414-424, 439, 449, 428, 425, 543,  
D9/529, 611; D7/538, 510, 392, 392.1,  
D7/615, 543, 545, 629; D26/9;  
D27/183; D3/273, 294, 20; D6/515,  
D6/536; D28/83; D10/104.1; D19/86;  
206/1.5; 132/295; 220/573.1  
CPC ..... A45D 33/02; A24F 15/12; A23B 4/20  
See application file for complete search history.

FIG. 1 is an isometric view of a container for storage  
showing our new design;  
FIG. 2 is a front elevation view thereof;  
FIG. 3 is a rear elevation view thereof;  
FIG. 4 is a left side elevation view thereof;  
FIG. 5 is a right side elevation view thereof;  
FIG. 6 is a top plan view thereof;  
FIG. 7 is a bottom plan view thereof;  
FIG. 8 is an isometric view of a second embodiment of a  
container for storage showing our new design;  
FIG. 9 is a front elevation view thereof;  
FIG. 10 is a rear elevation view thereof;  
FIG. 11 is a left side elevation view thereof;  
FIG. 12 is a right side elevation view thereof;  
FIG. 13 is a top plan view thereof;  
FIG. 14 is a bottom plan view thereof;  
FIG. 15 is an isometric view of a third embodiment of a  
container for storage showing our new design;  
FIG. 16 is a front elevation view thereof;  
FIG. 17 is a rear elevation view thereof;  
FIG. 18 is a left side elevation view thereof;  
FIG. 19 is a right side elevation view thereof;  
FIG. 20 is a top plan view thereof; and,  
FIG. 21 is a bottom plan view thereof.

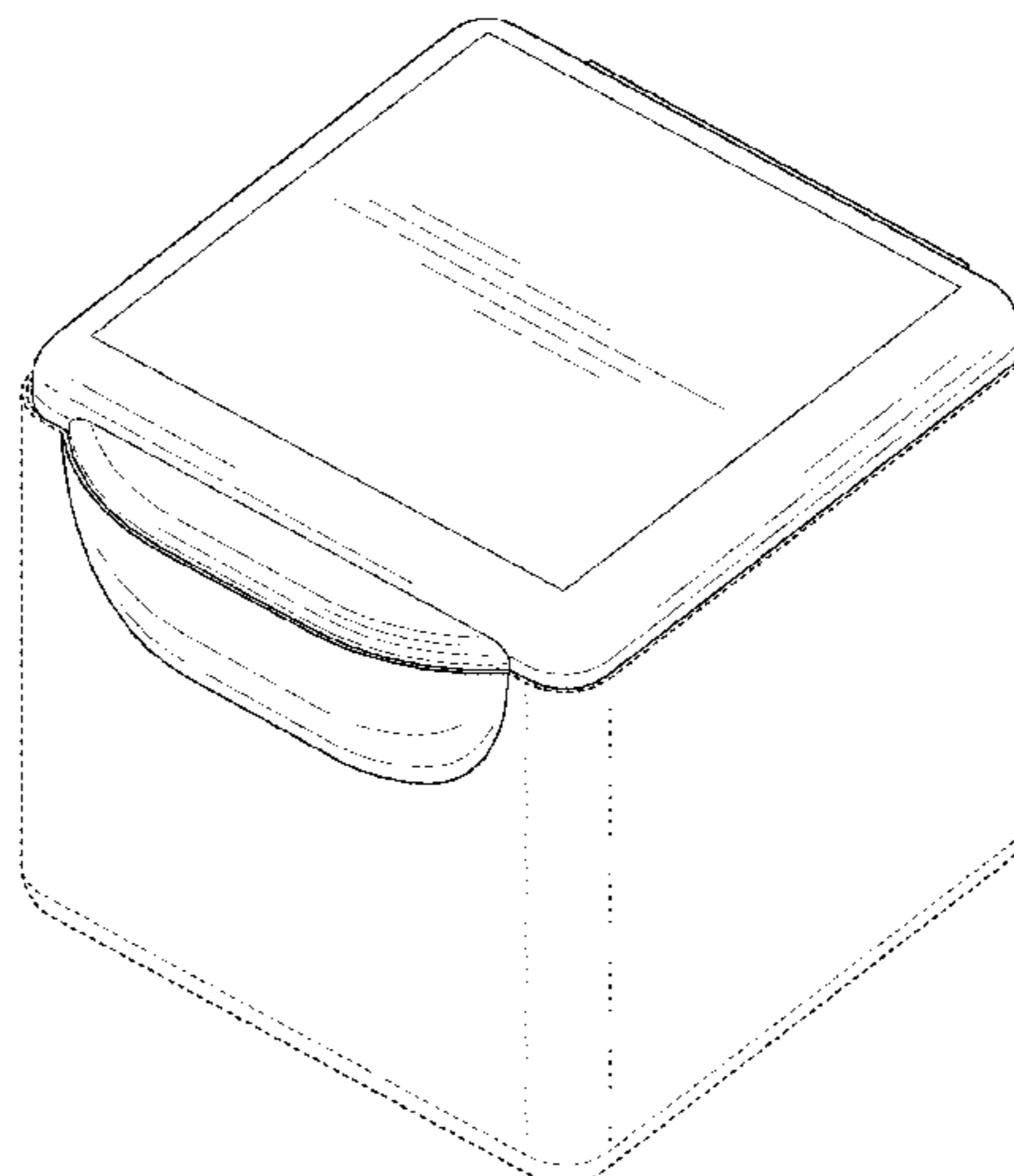
In the drawings, the broken lines are for the purpose of  
illustrating environment only and form no part of the  
claimed design.

(56) **References Cited**

U.S. PATENT DOCUMENTS

3,024,899 A \* 3/1962 Reitzel ..... A24F 15/12  
206/1.5  
D221,838 S \* 9/1971 Fraser ..... D9/428  
D244,246 S \* 5/1977 Daenen ..... D7/540  
D269,249 S \* 6/1983 Cillario ..... D9/424  
D309,431 S \* 7/1990 Sheehan ..... D9/424

**1 Claim, 15 Drawing Sheets**



(56)

References Cited

U.S. PATENT DOCUMENTS

D349,207 S *	8/1994	Wolff	D6/536	D684,043 S *	6/2013	Brown	D9/424
D367,211 S *	2/1996	Cautereels	D3/294	D687,320 S *	8/2013	Lee	D9/723
D380,900 S *	7/1997	Pearson	D28/83	D694,615 S *	12/2013	Mombelli	D9/414
D404,917 S *	2/1999	Miller	D3/273	D708,940 S *	7/2014	Juna	D9/420
6,446,546 B1 *	9/2002	Hodson	A23B 4/20 220/573.1	D716,139 S *	10/2014	Murphy	D9/417
D483,222 S *	12/2003	Willis	D7/392.1	D716,660 S *	11/2014	Quinones	D9/449
D484,412 S *	12/2003	Willis	D7/392.1	D725,464 S *	3/2015	Sawicki	D9/420
D513,978 S *	1/2006	Isono	D9/420	D726,021 S *	4/2015	Rathbone	D9/420
D515,927 S *	2/2006	Smay	D7/615	D728,359 S *	5/2015	Iwegbu	D9/420
D521,372 S *	5/2006	Schneider	D9/420	D728,361 S *	5/2015	Farley	D9/420
D530,911 S *	10/2006	Guitay	D3/273	D728,362 S *	5/2015	Kelly	D9/420
D532,689 S *	11/2006	Rotta	D9/611	9,032,974 B2 *	5/2015	Lee	A45D 33/02 132/295
D539,663 S *	4/2007	Jovetic	D9/420	D731,179 S *	6/2015	Bernson	D3/269
D540,162 S *	4/2007	Chin	D9/417	D731,303 S *	6/2015	Daggett	D9/420
D544,343 S *	6/2007	Liebe	D28/78	D732,387 S *	6/2015	Paton	D9/428
D544,790 S *	6/2007	Bouveret	D9/424	D737,504 S *	8/2015	Chen	D27/183
D545,629 S *	7/2007	Mellen	D7/543	D741,704 S *	10/2015	Bouveret	D9/425
D546,670 S *	7/2007	Sainz	D9/420	D743,266 S *	11/2015	Rathbone	D9/529
D546,671 S *	7/2007	Cronin	D9/420	D743,267 S *	11/2015	Rathbone	D9/543
D549,119 S *	8/2007	Becker	D10/104.1	D744,328 S *	12/2015	Ramachandran	D9/420
D550,077 S *	9/2007	Lagreca	D9/428	D744,826 S *	12/2015	Giraud	D9/420
D552,468 S *	10/2007	Seum	D9/420	D745,319 S *	12/2015	Melzer	D7/392
D573,878 S *	7/2008	Rathbone	D9/420	D749,363 S *	2/2016	Tacker	D7/510
D589,342 S *	3/2009	Maslowski	D9/428	D749,420 S *	2/2016	Kahlau	D9/420
D606,854 S *	12/2009	Greenhalgh	D9/420	D752,429 S *	3/2016	Mayer	D9/420
D608,900 S *	1/2010	Giraud	D24/216	D752,970 S *	4/2016	Giraud	D9/420
D609,009 S *	2/2010	Schaal	D3/294	D787,317 S *	5/2017	Dunn	D9/420
D620,257 S *	7/2010	Fujimura	D3/294	D787,715 S *	5/2017	Nechita	D26/9
D622,989 S *	9/2010	Lagler	D6/515	D794,394 S *	8/2017	Karussi	D7/538
D623,050 S *	9/2010	Giraud	D9/420	2011/0108567 A1 *	5/2011	Giraud	B65D 83/0409 221/261
D625,956 S *	10/2010	Goddard-Clark	D7/543	2014/0299623 A1 *	10/2014	Giraud	B65D 83/0864 221/279
D625,961 S *	10/2010	Kent	D7/545	2015/0048088 A1 *	2/2015	Giraud	B65D 83/0427 220/315
D628,469 S *	12/2010	Taylor	D9/420	2015/0307259 A1 *	10/2015	Giraud	B65D 83/0436 221/193
D638,473 S *	5/2011	Zemskov	D19/73	2016/0023816 A1 *	1/2016	Giraud	B65D 43/16 220/263
D639,858 S *	6/2011	Ras	D19/73	2017/0073130 A1 *	3/2017	Giraud	B65D 50/066
D650,268 S *	12/2011	Gibson	D9/420				
D672,643 S *	12/2012	Giraud	D9/421				
D682,097 S *	5/2013	Chiorazzi	D9/439				

\* cited by examiner

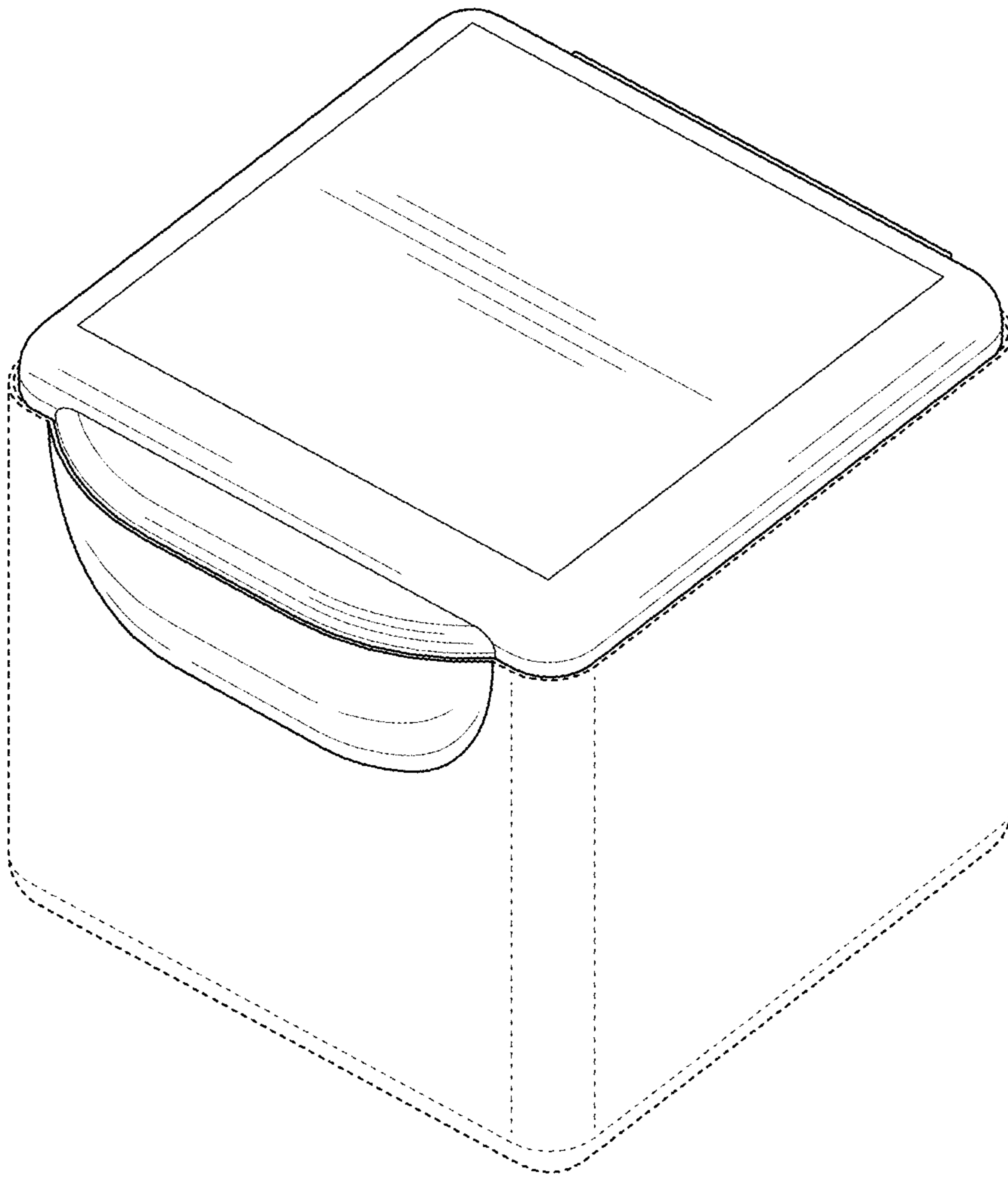


FIG. 1

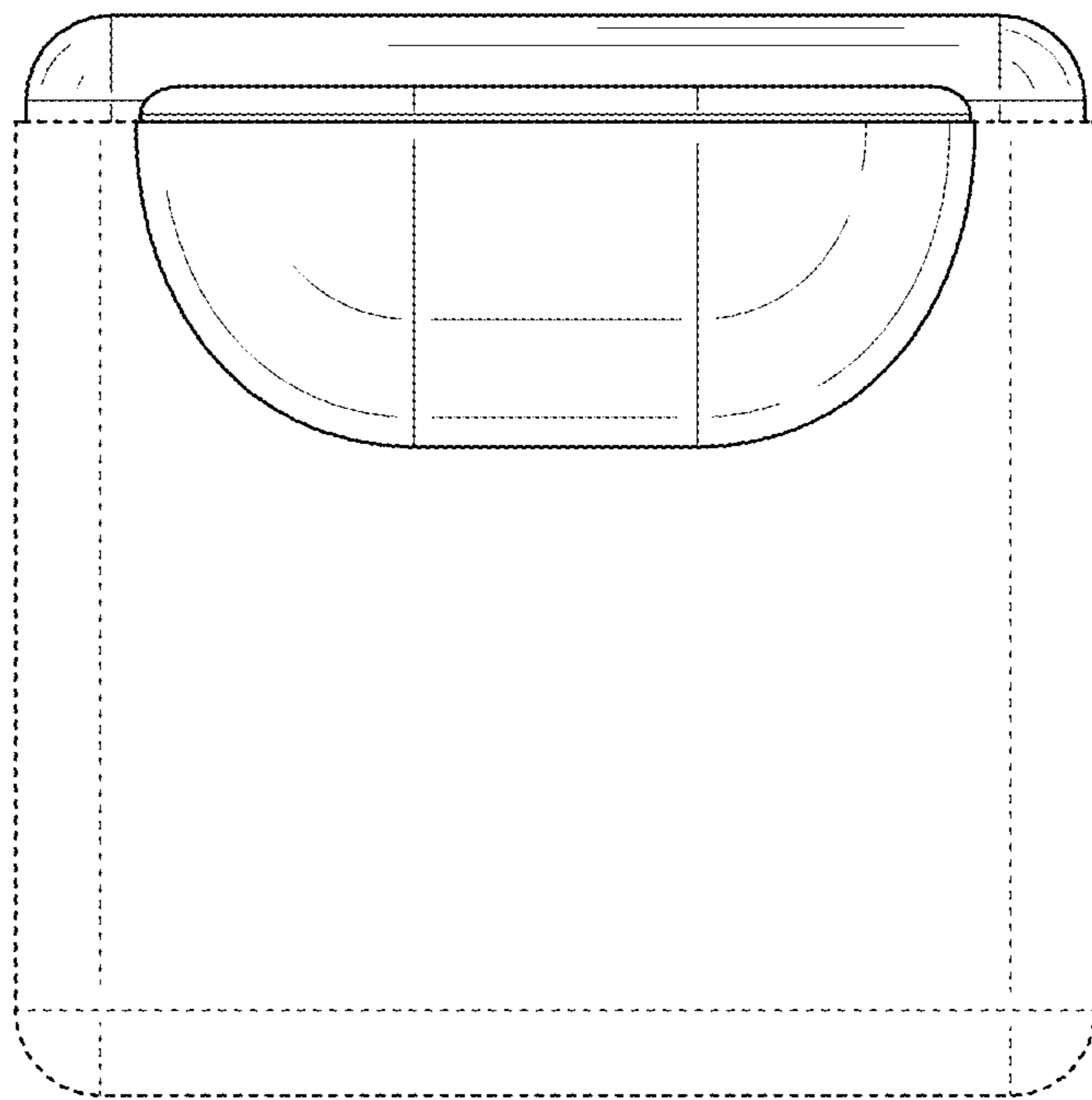


FIG. 2

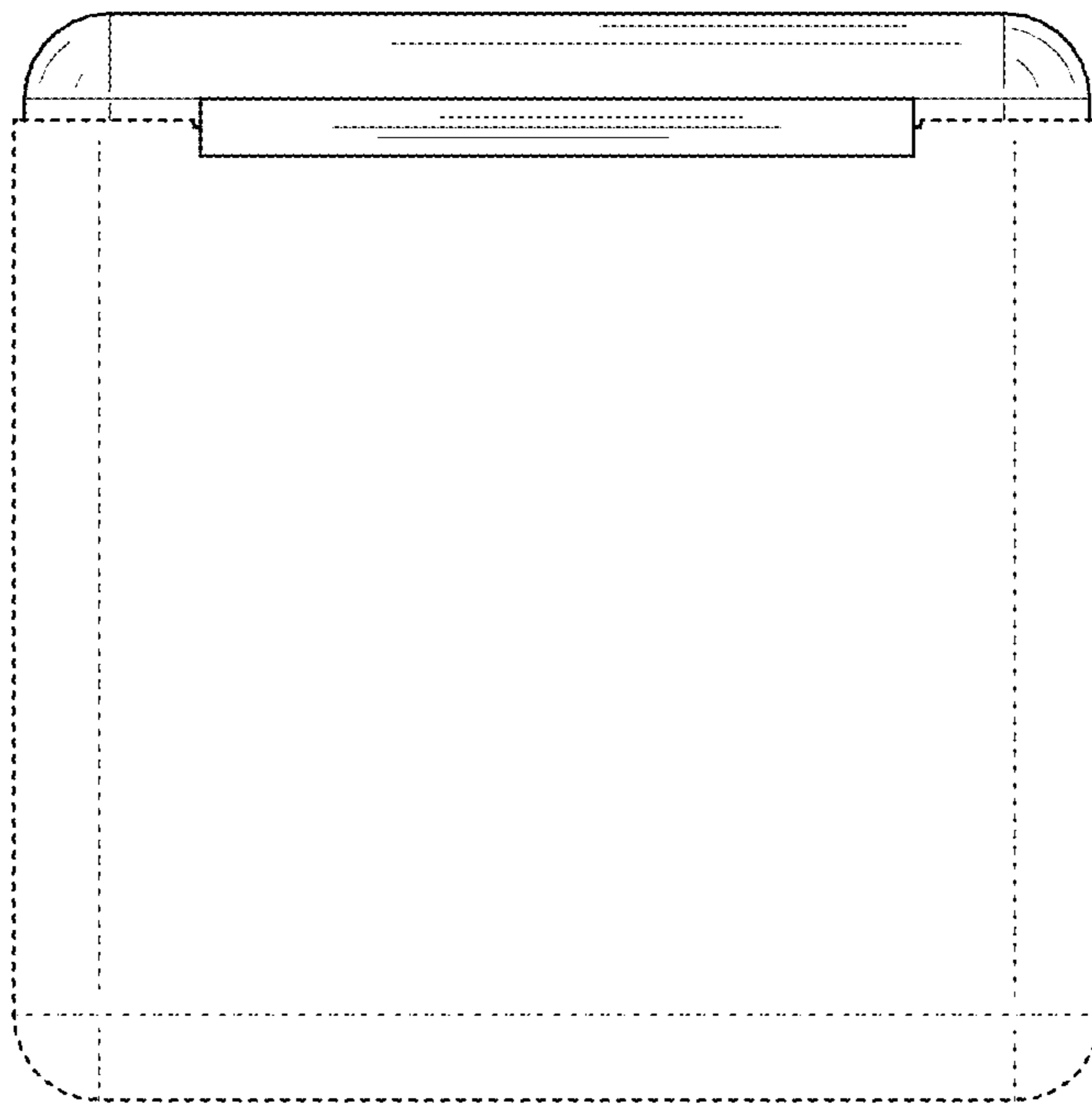


FIG. 3

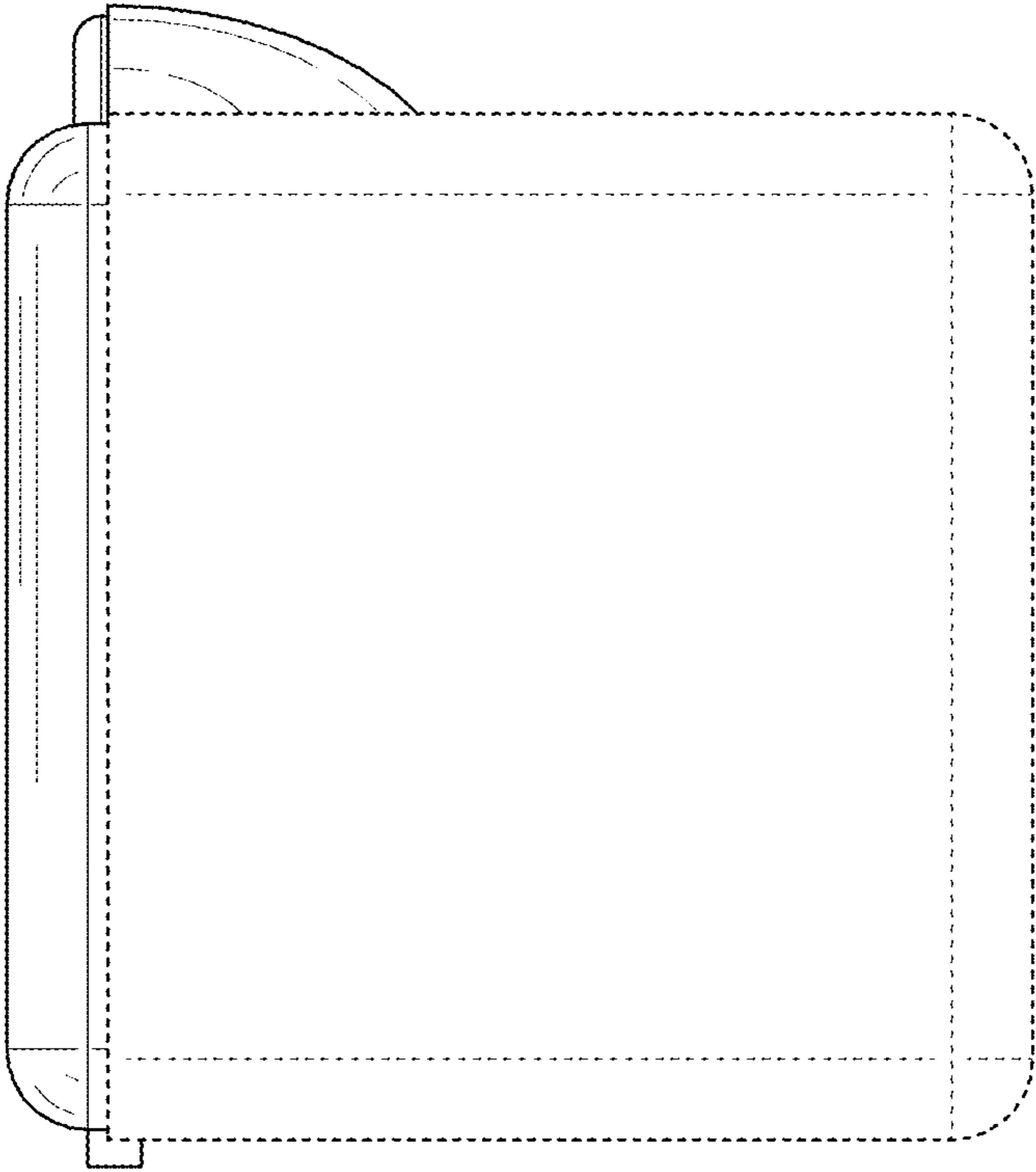


FIG. 5

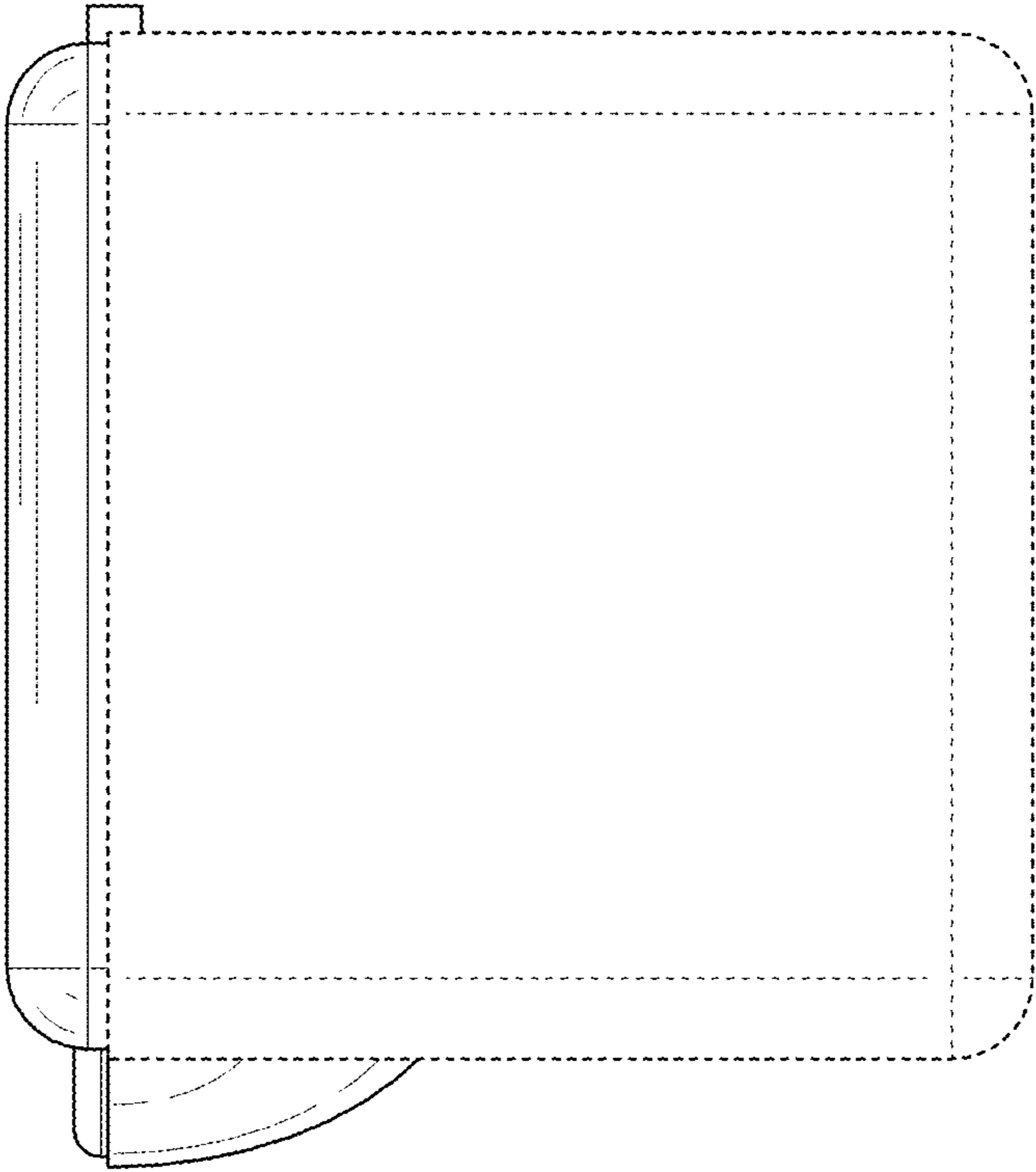


FIG. 4

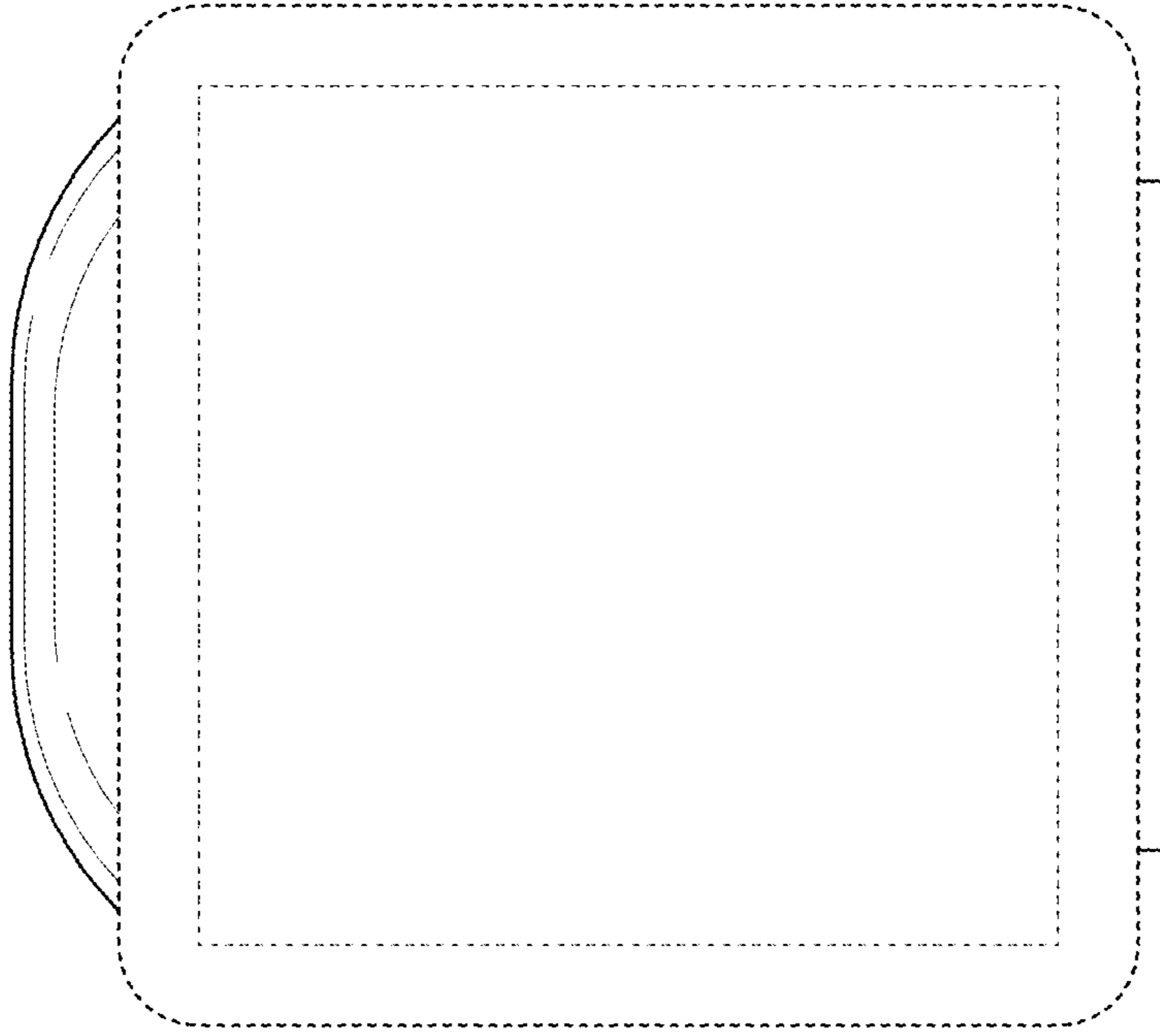


FIG. 7

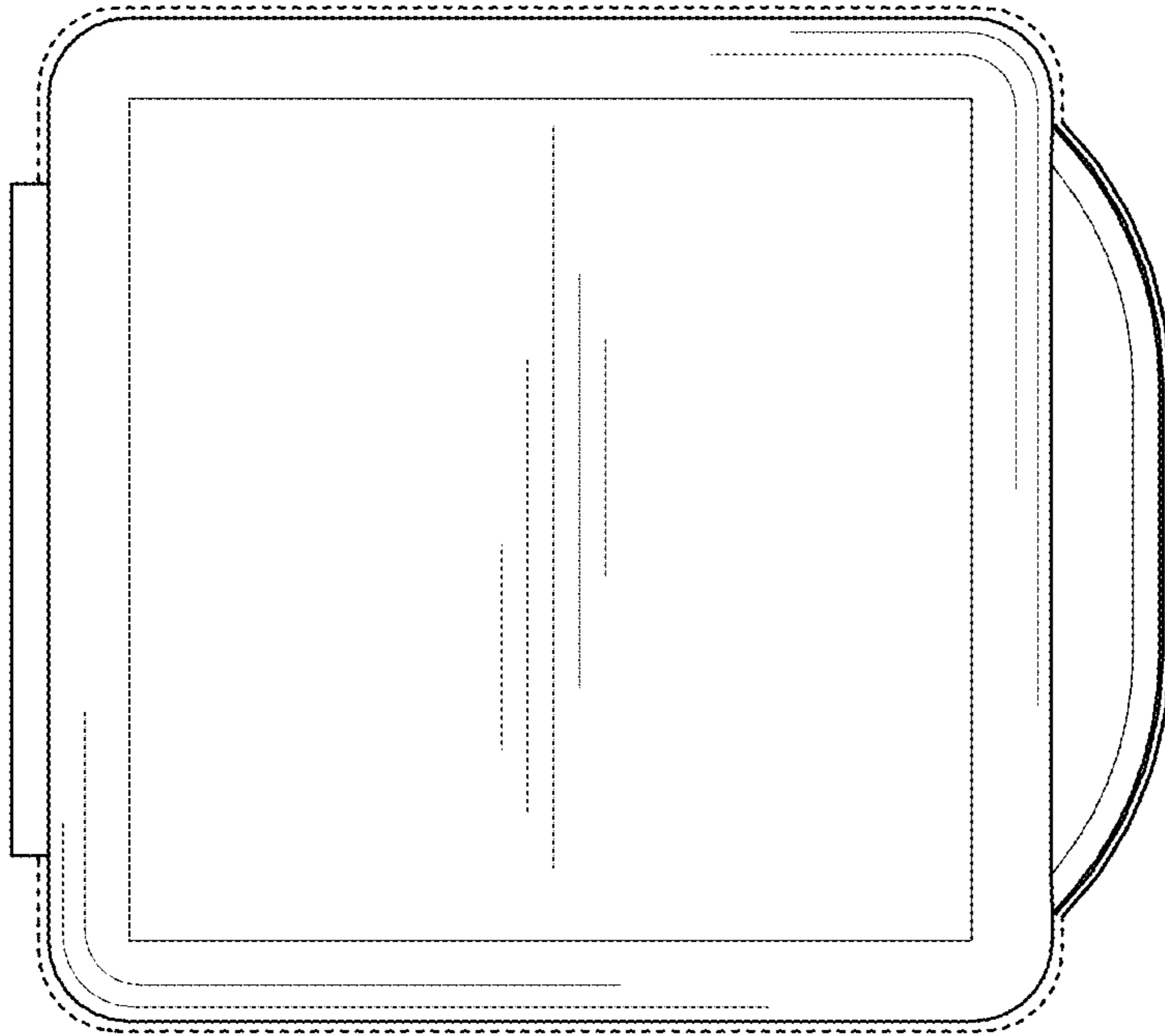


FIG. 6

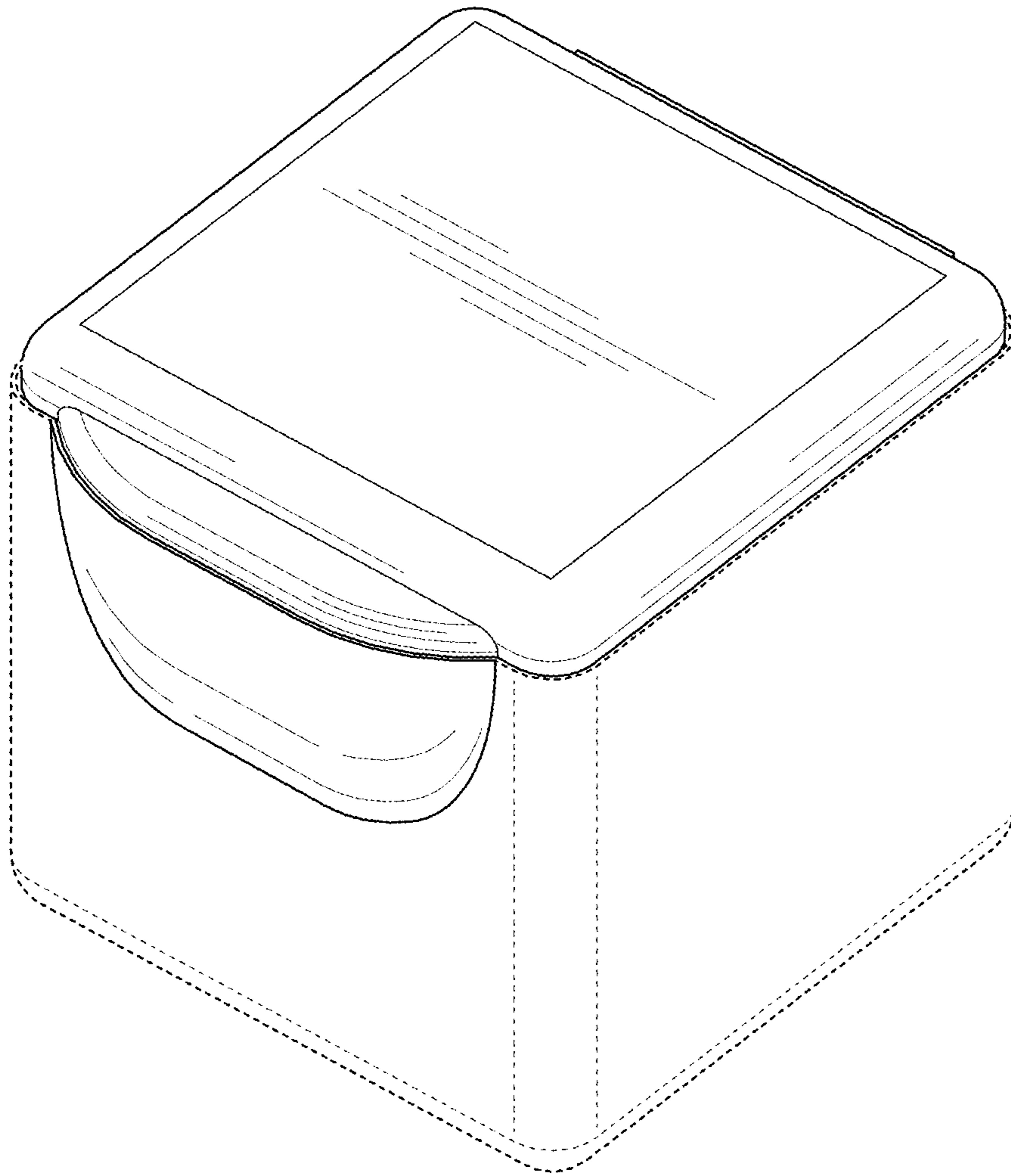


FIG. 8



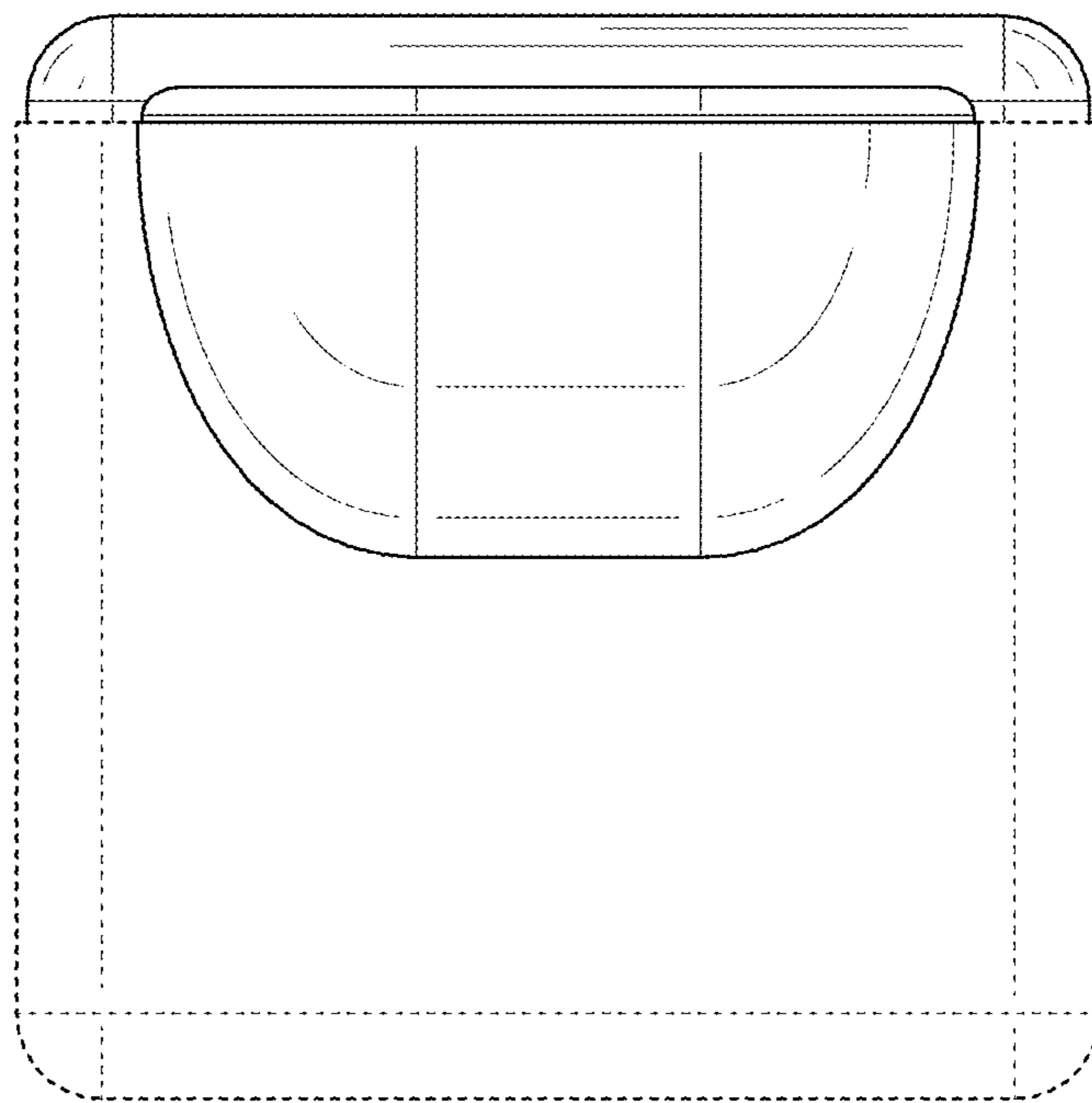


FIG. 9

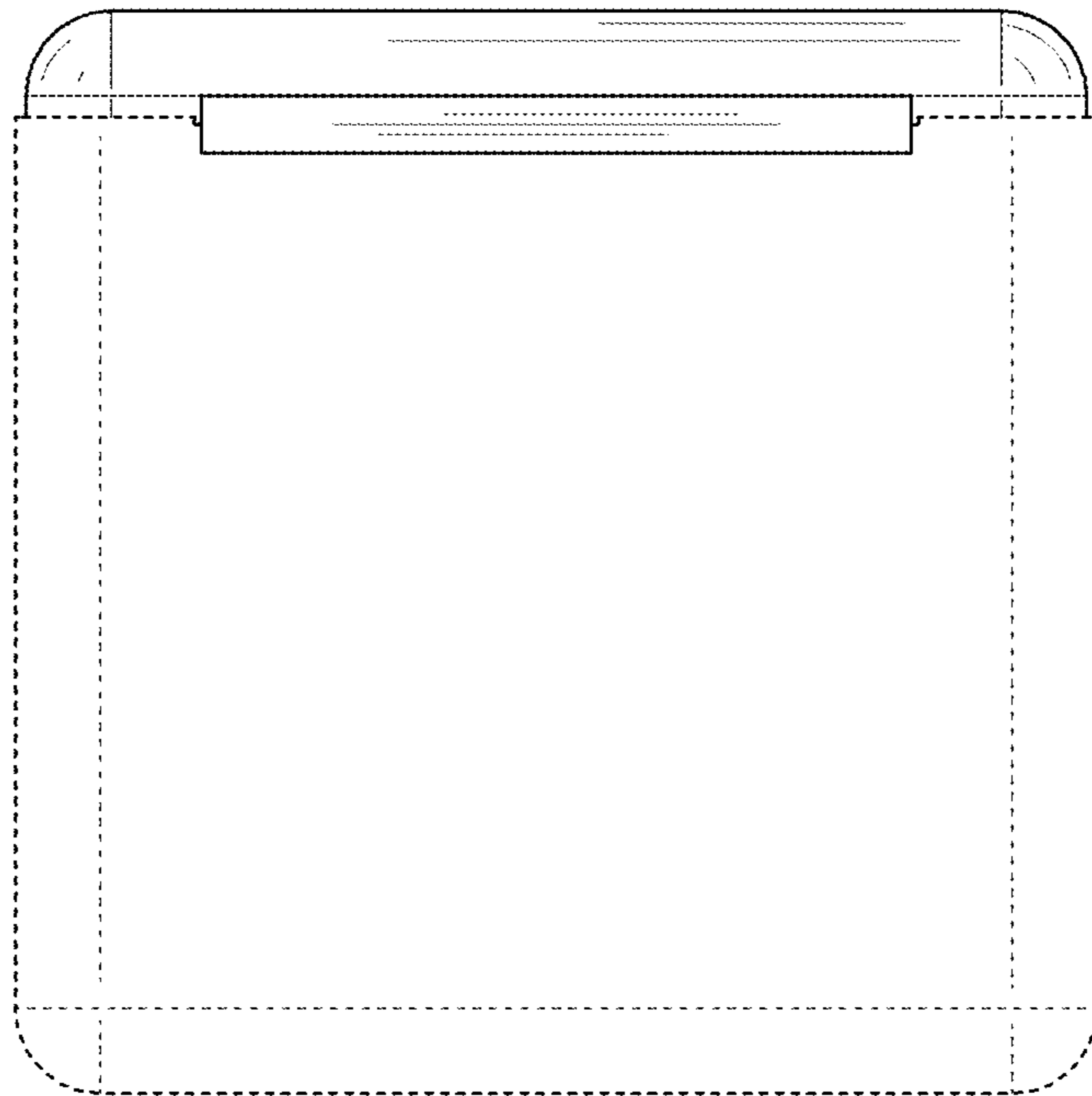


FIG. 10

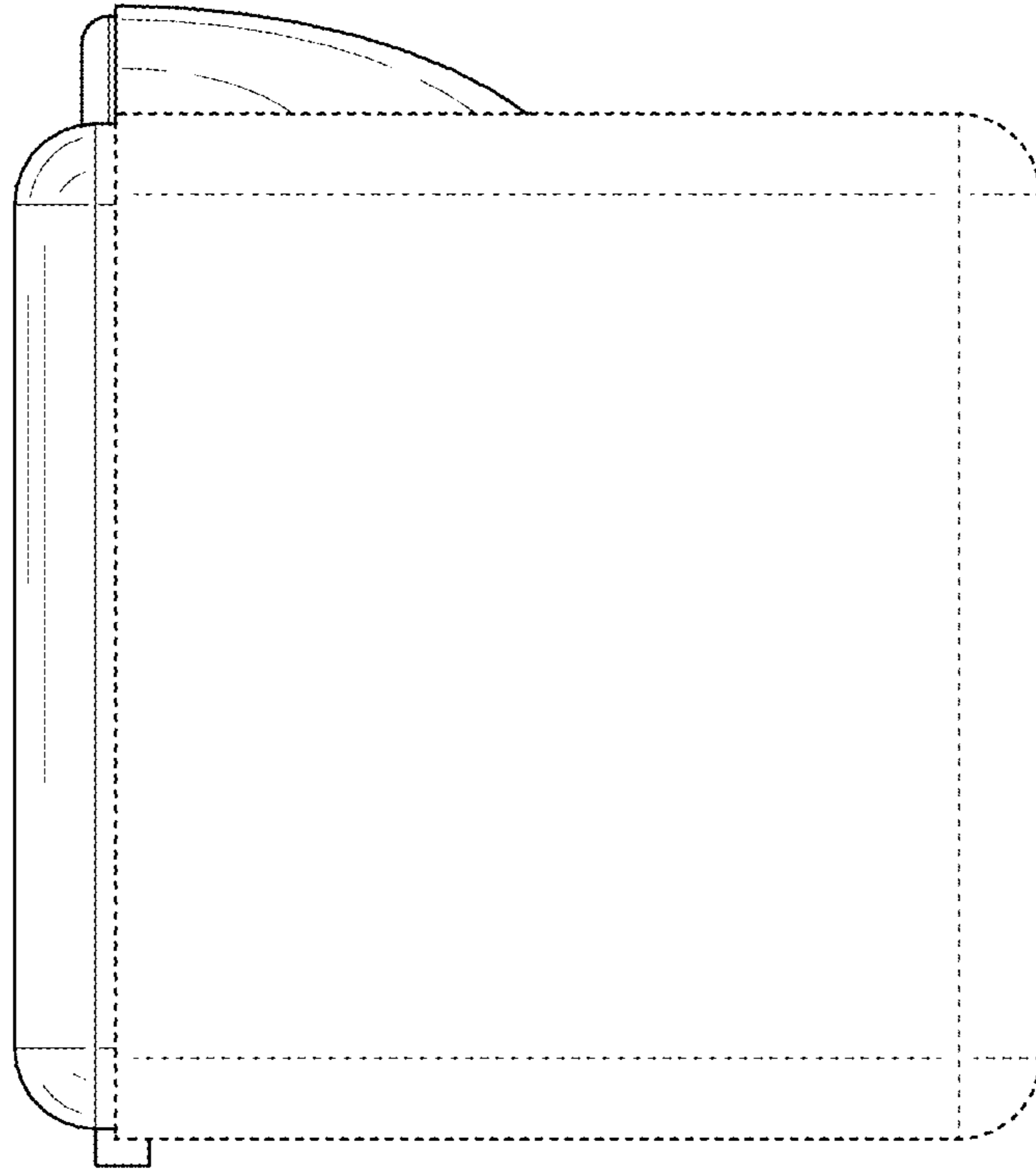


FIG. 12

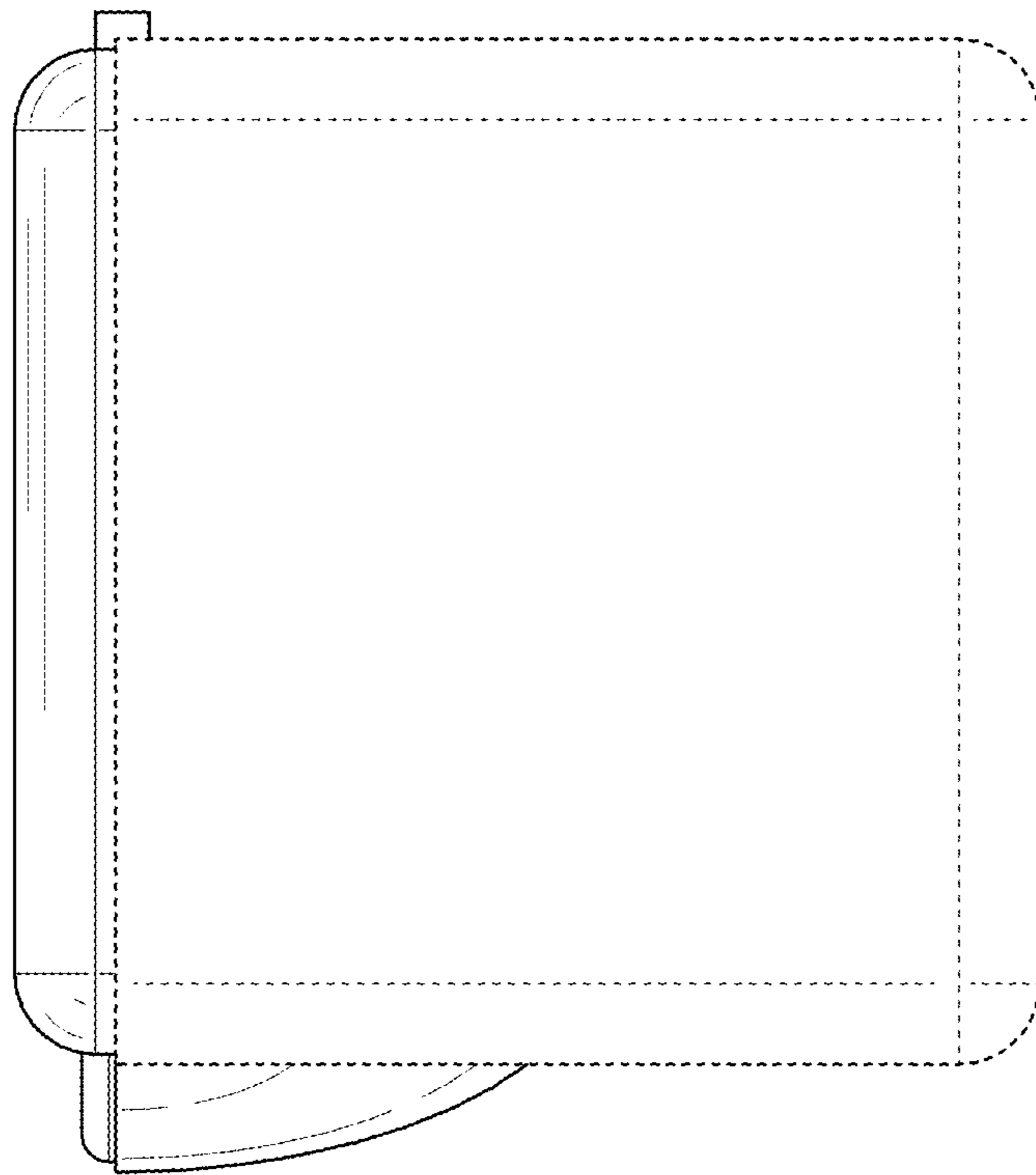


FIG. 11

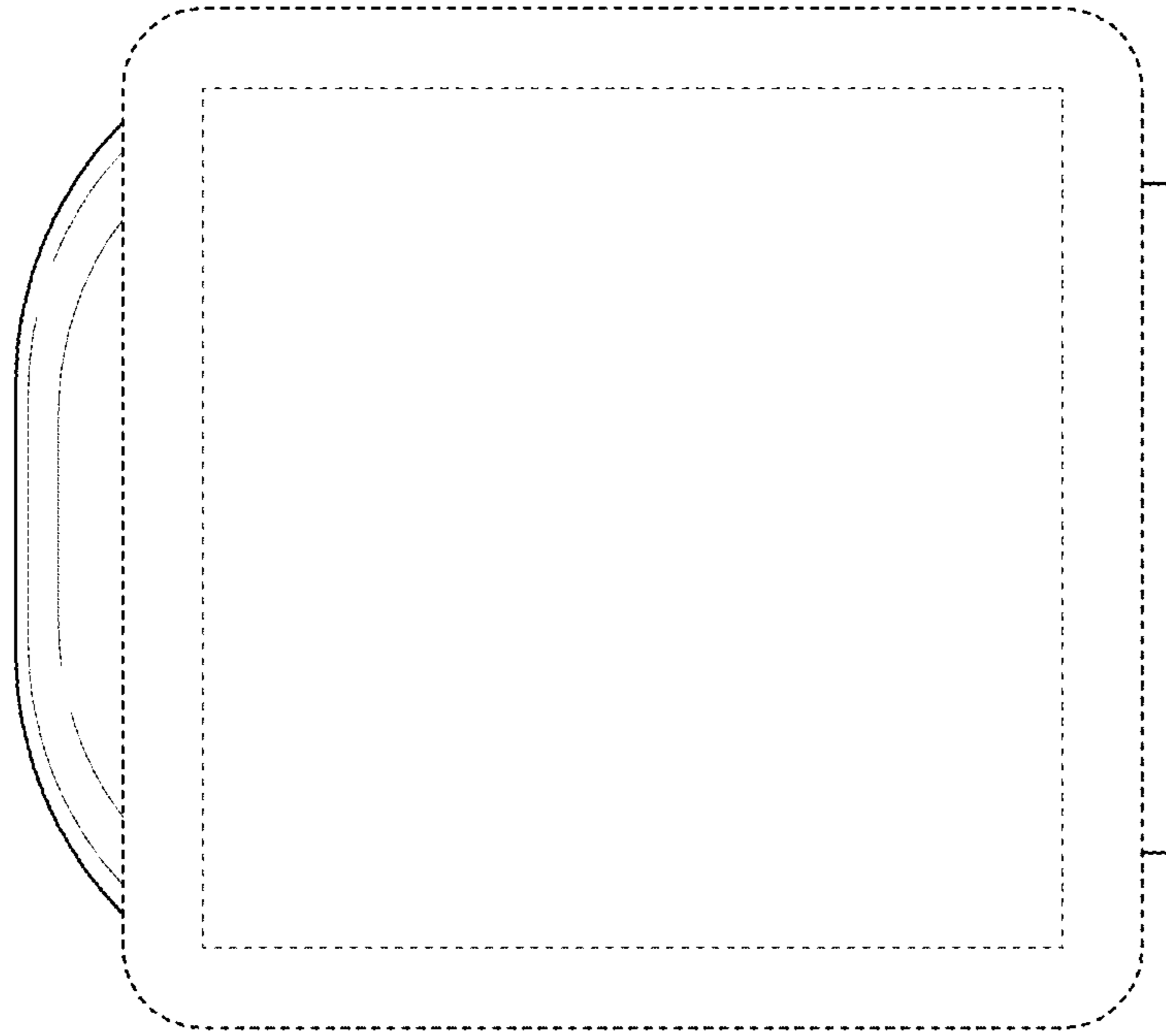


FIG. 14

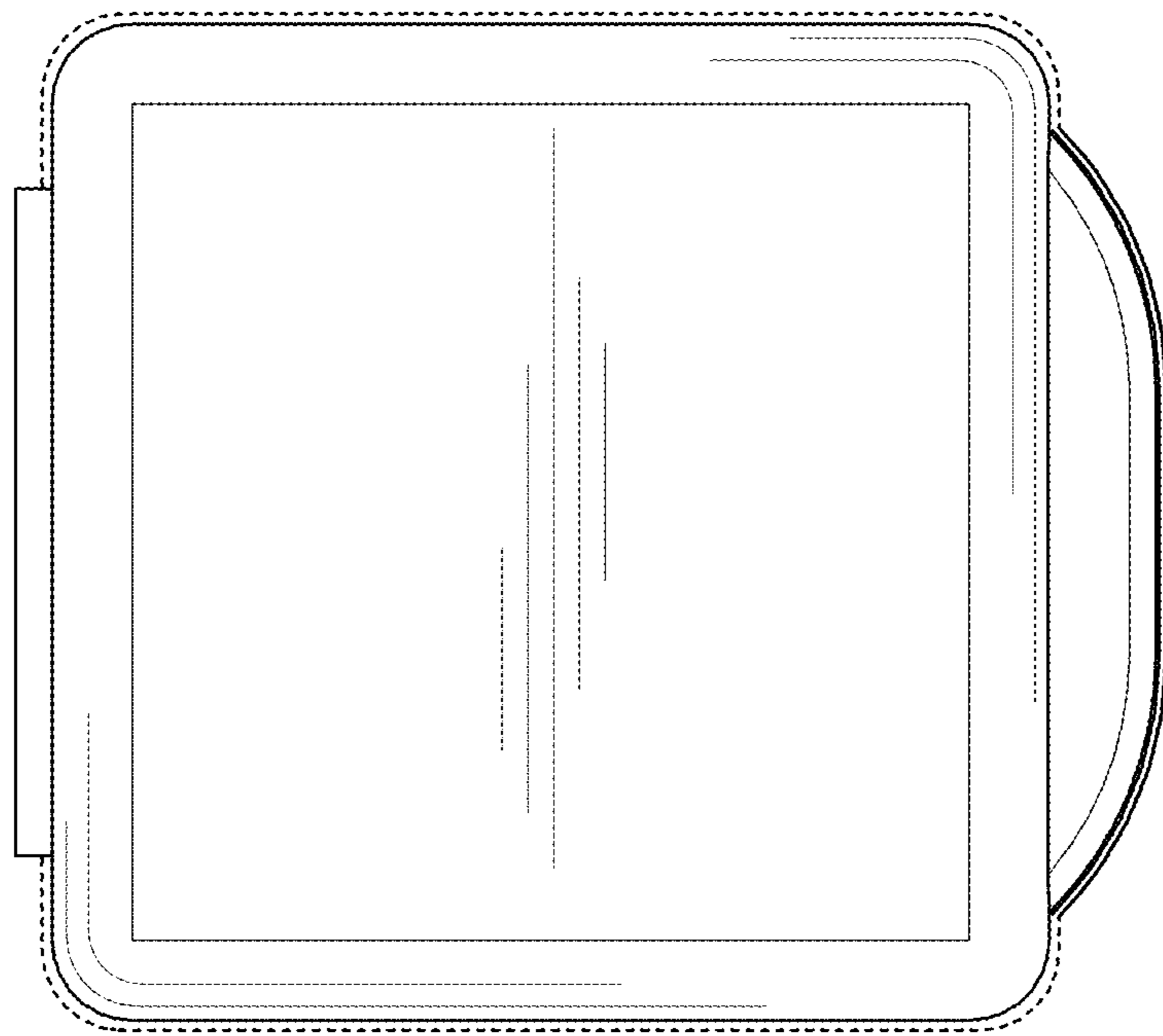


FIG. 13

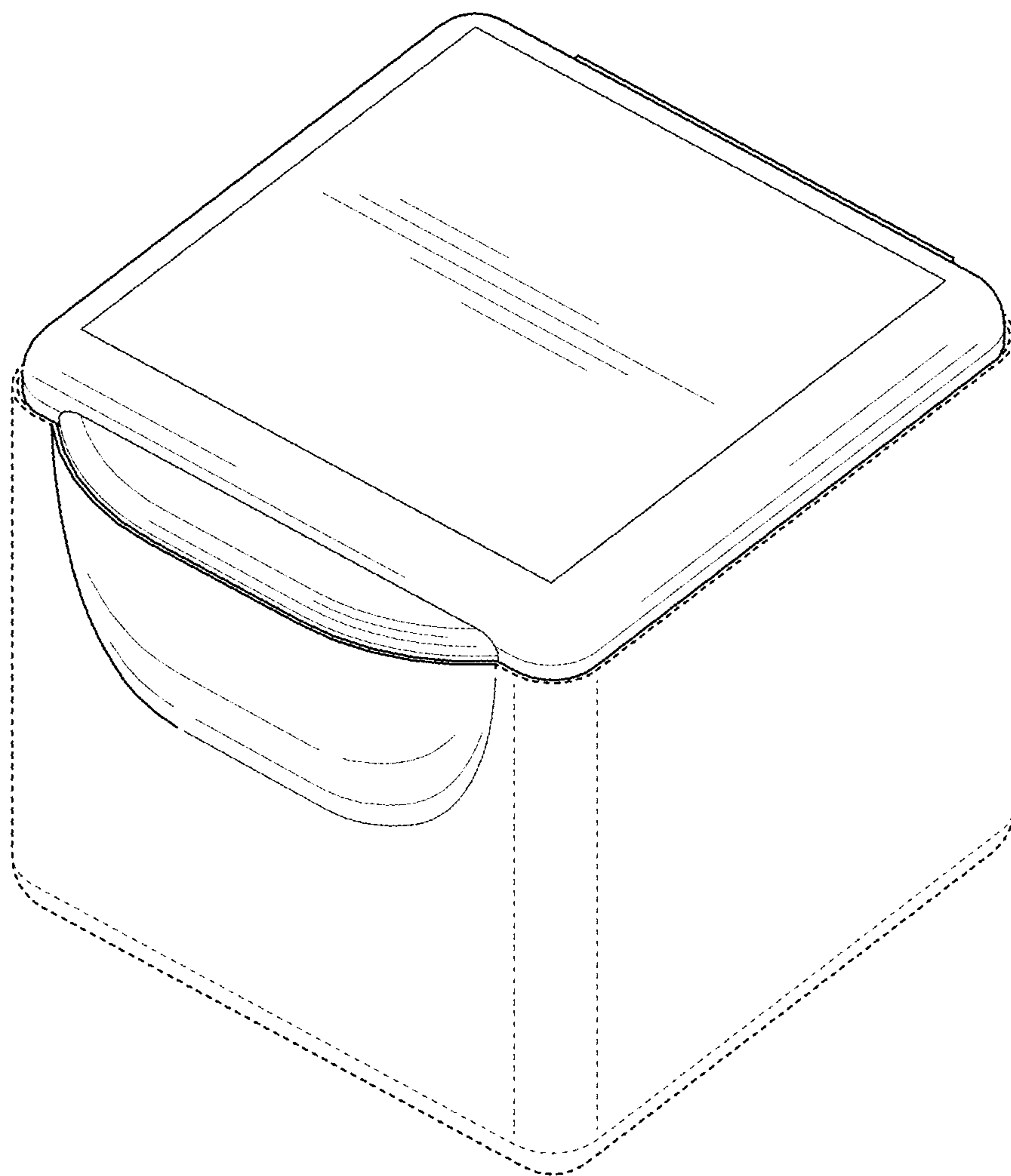


FIG. 15

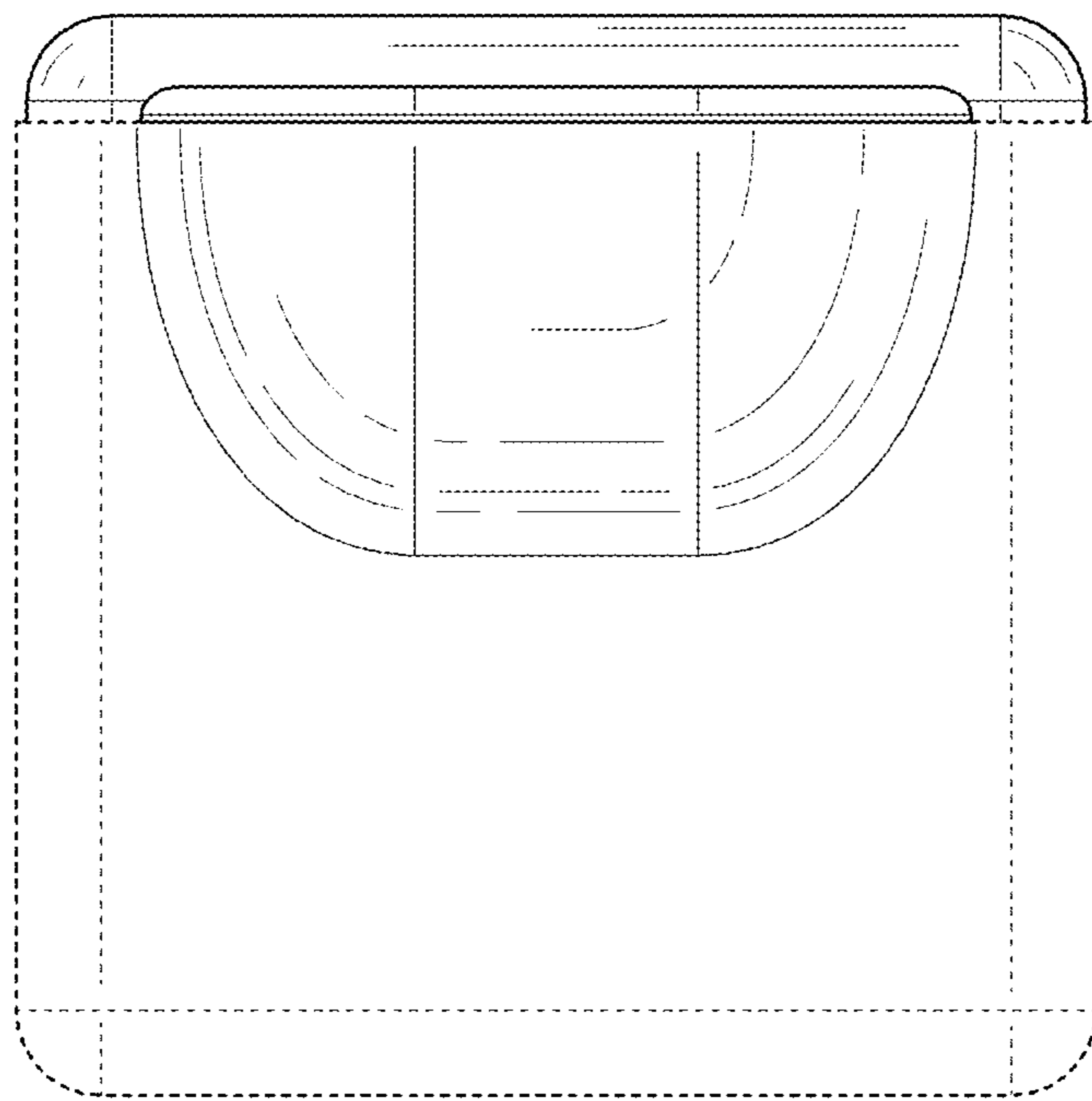


FIG. 16

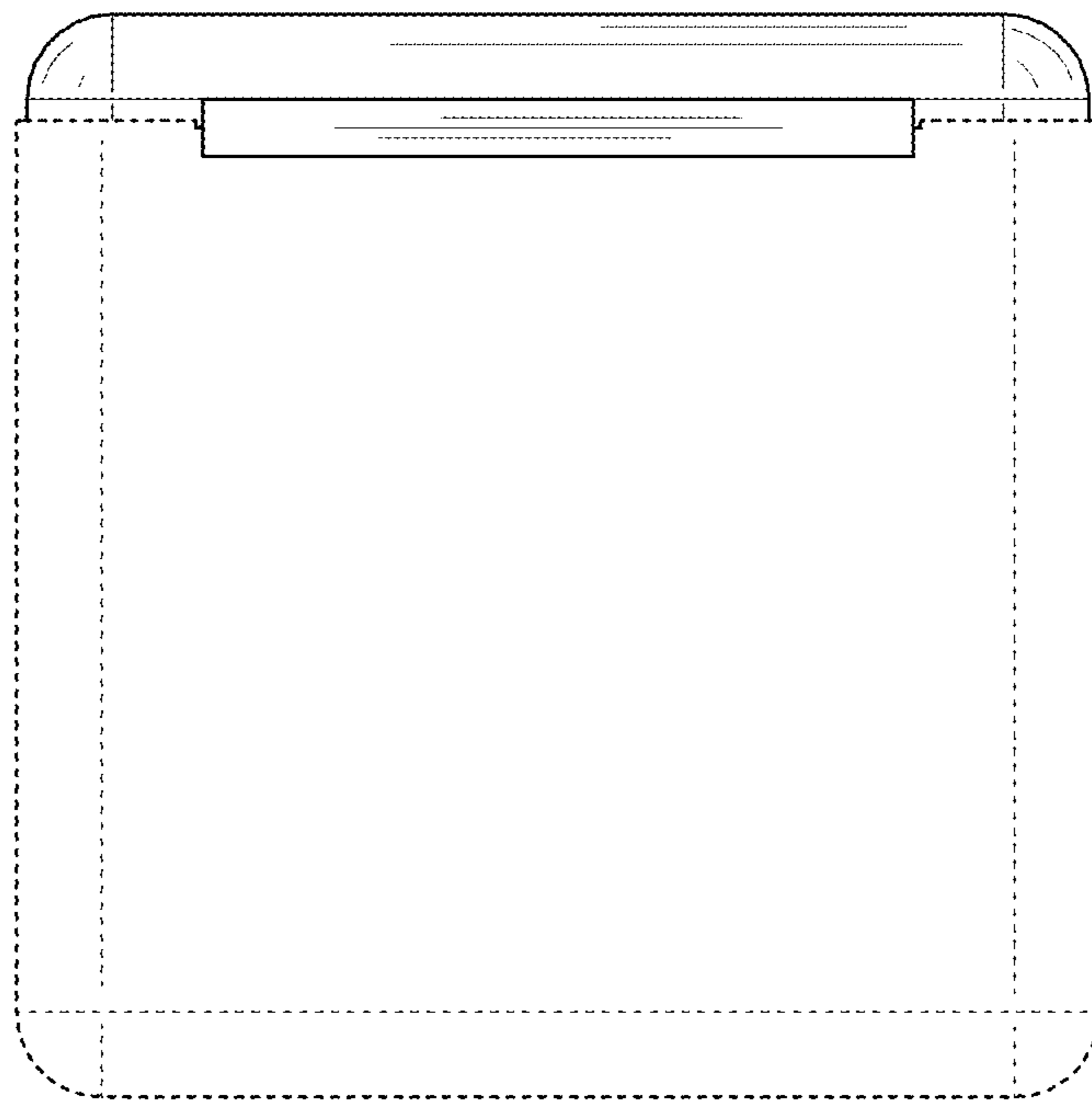


FIG. 17

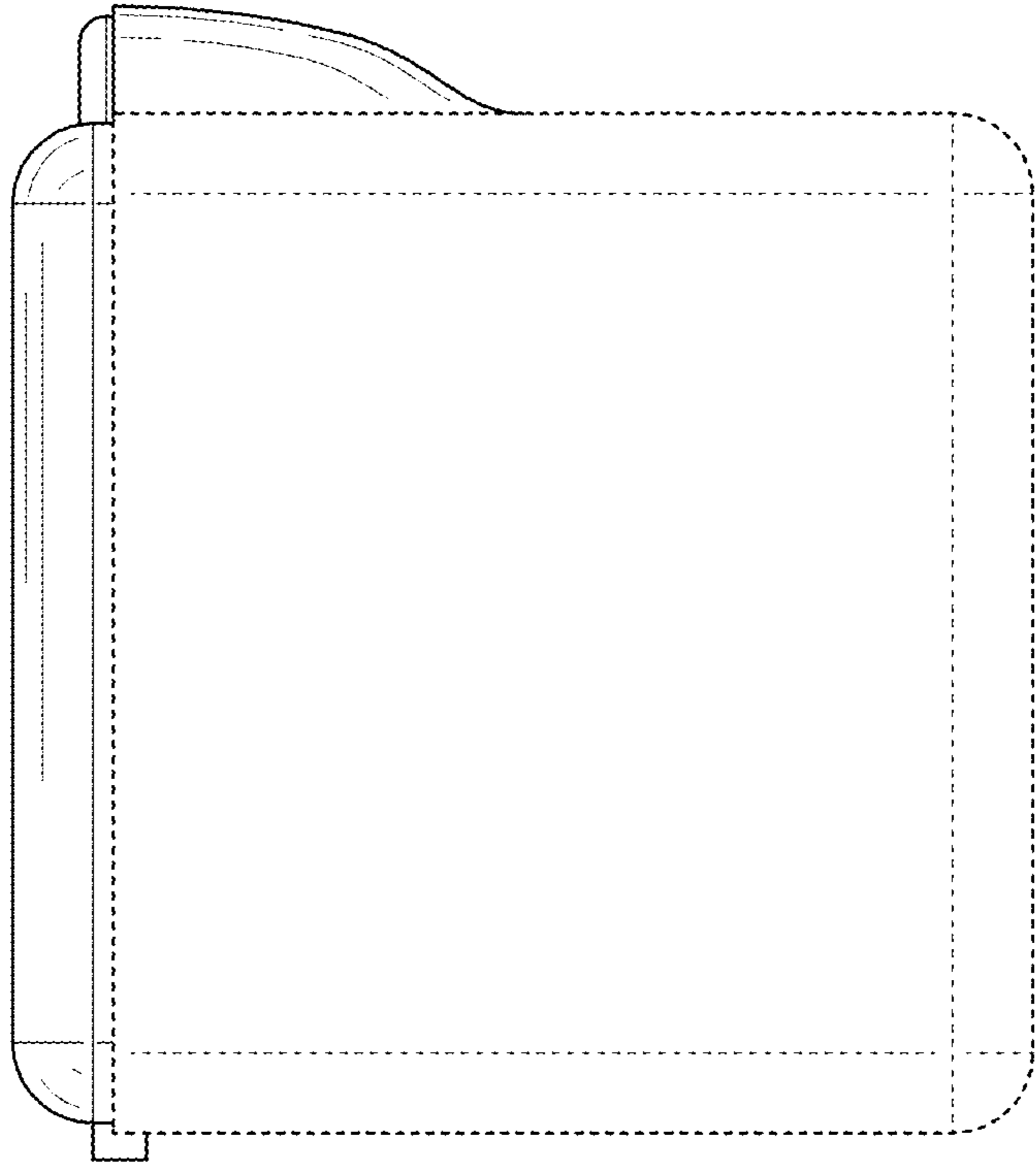


FIG. 19

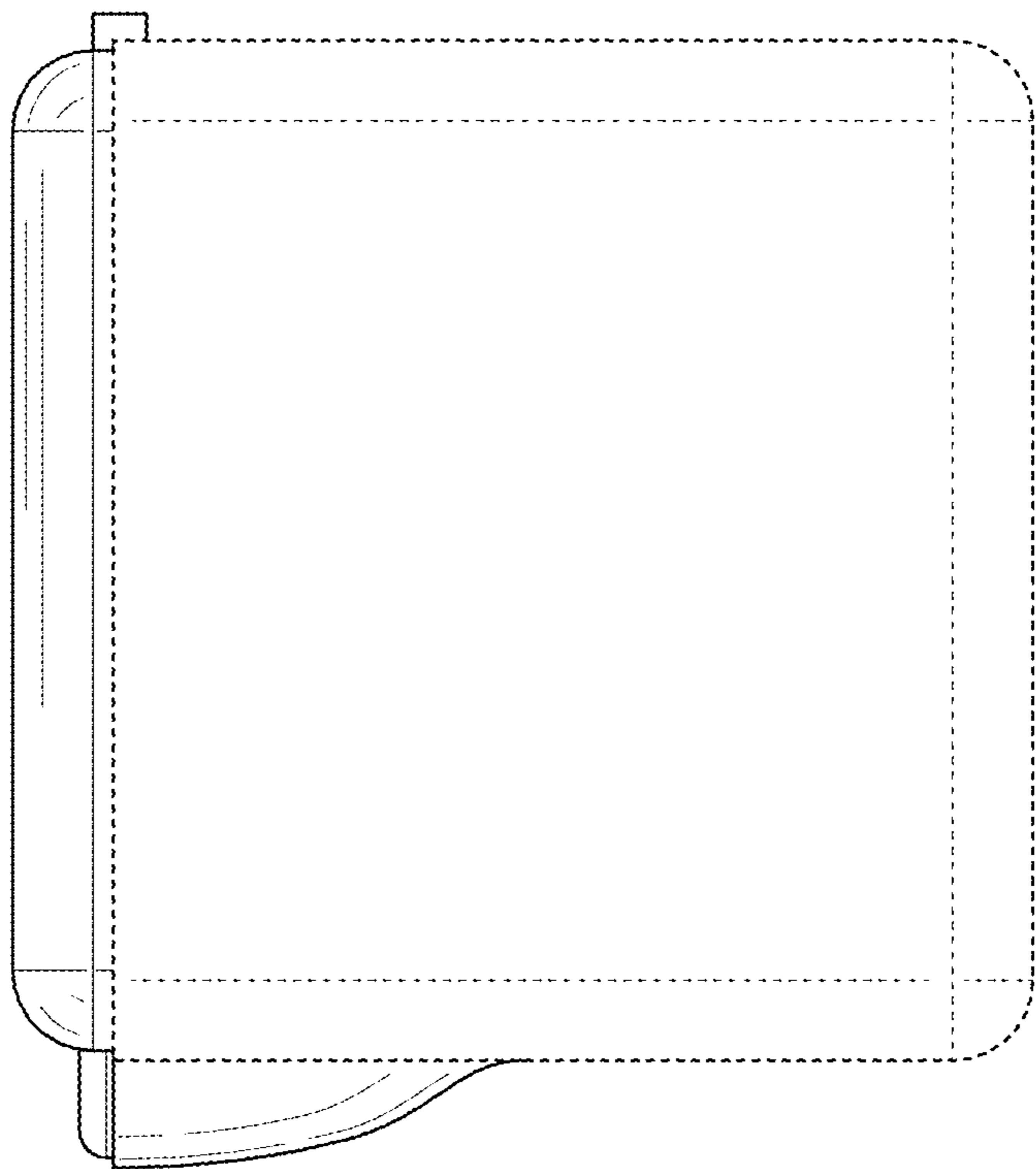


FIG. 18



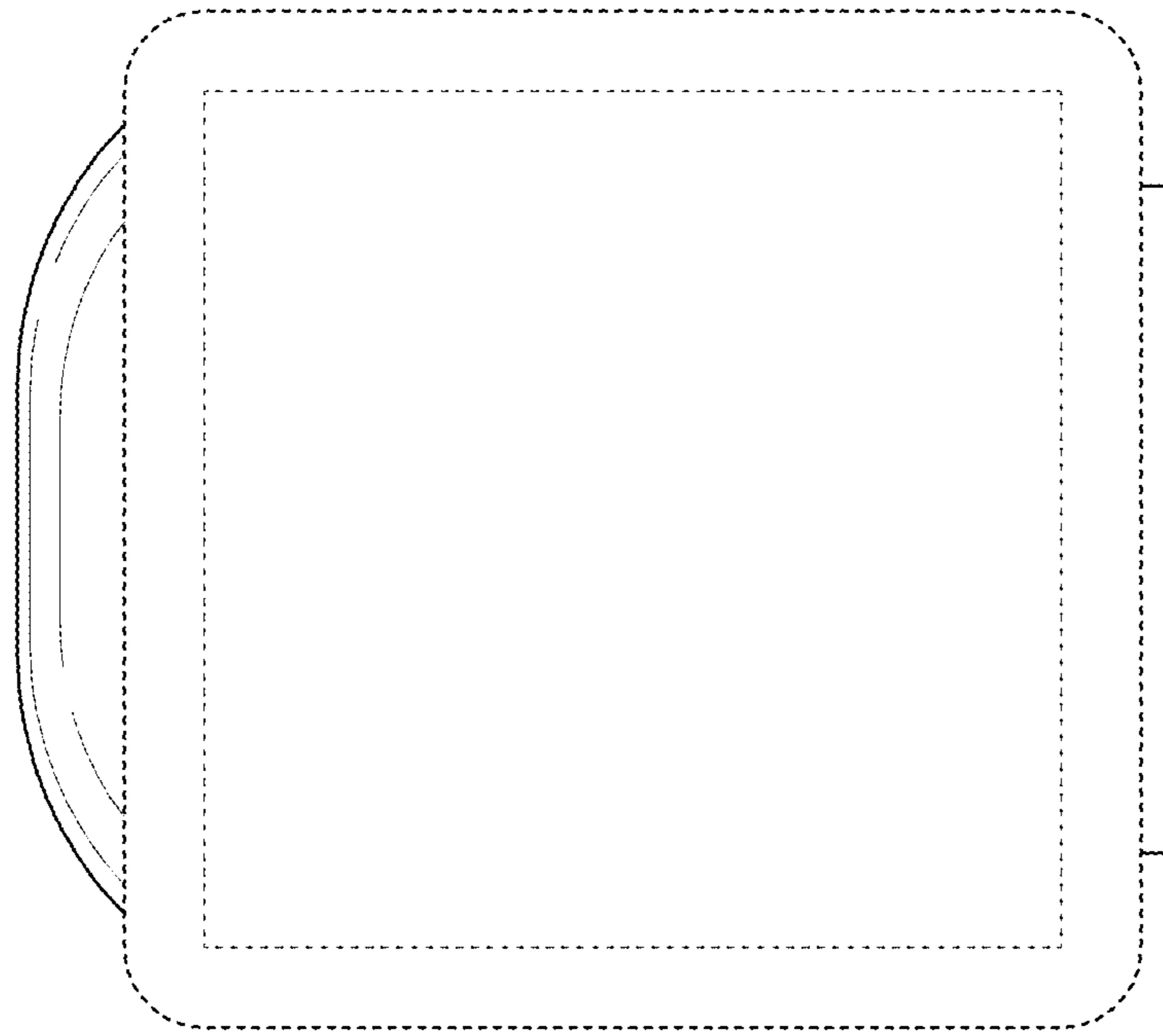


FIG. 21

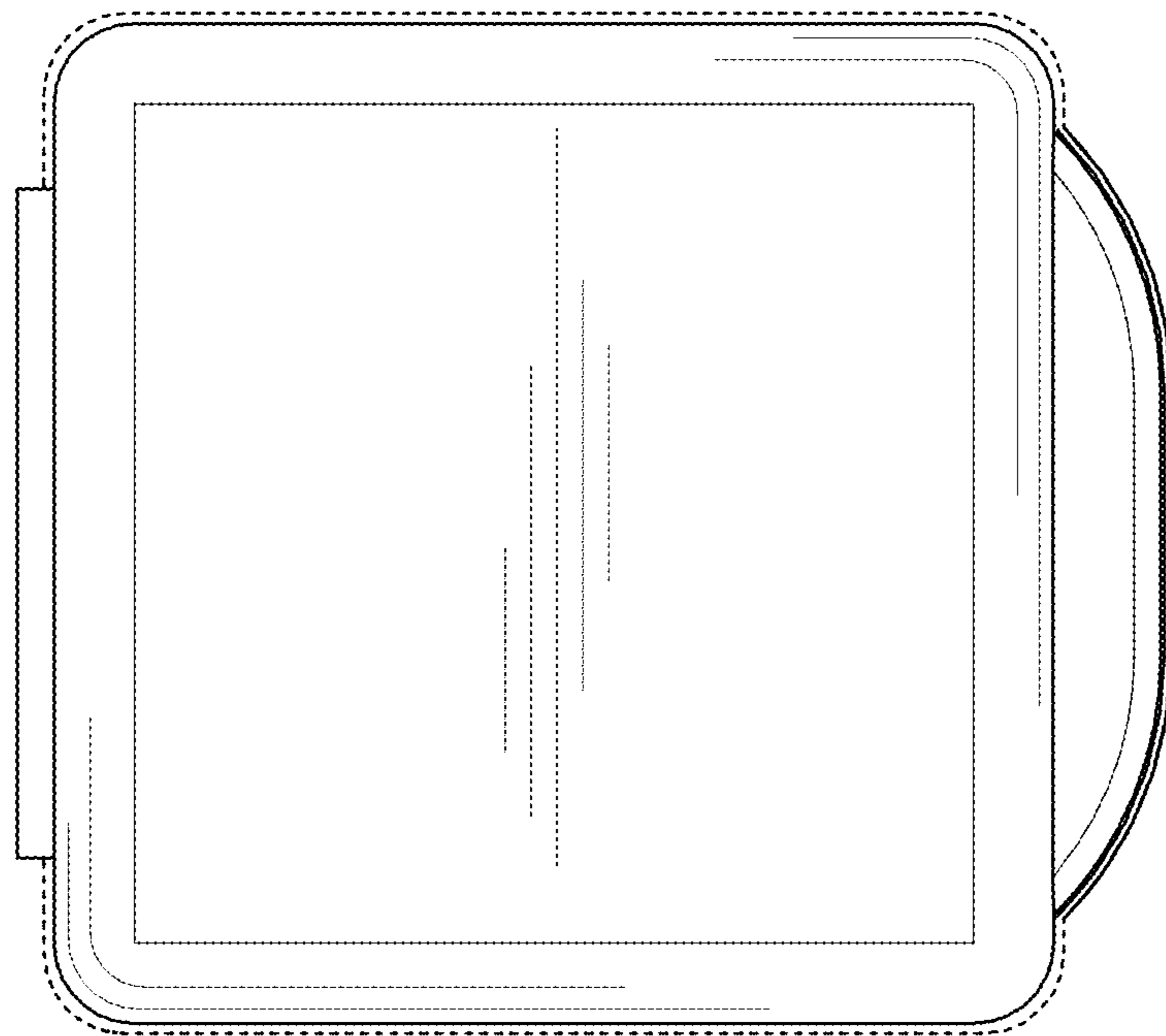


FIG. 20