



US00D904874S

(12) **United States Design Patent** (10) **Patent No.:** **US D904,874 S**
Kuhn et al. (45) **Date of Patent:** **** Dec. 15, 2020**

(54) **BOTTLE**
(71) Applicant: **N.V. Nutricia**, Zoetermeer (NL)
(72) Inventors: **Peter Kuhn**, The Hague (NL); **Stefanie José Groot**, Amsterdam (NL)
(73) Assignee: **N.V. Nutricia**
(**) Term: **15 Years**
(21) Appl. No.: **29/707,641**

Primary Examiner — Rhea Shields
(74) *Attorney, Agent, or Firm* — Laubscher & Laubscher, P.C.

(22) Filed: **Sep. 30, 2019**
Related U.S. Application Data
(62) Division of application No. 29/615,018, filed on Aug. 25, 2017, now Pat. No. Des. 883,788.

(57) **CLAIM**
The ornamental design for a bottle, as shown and described.

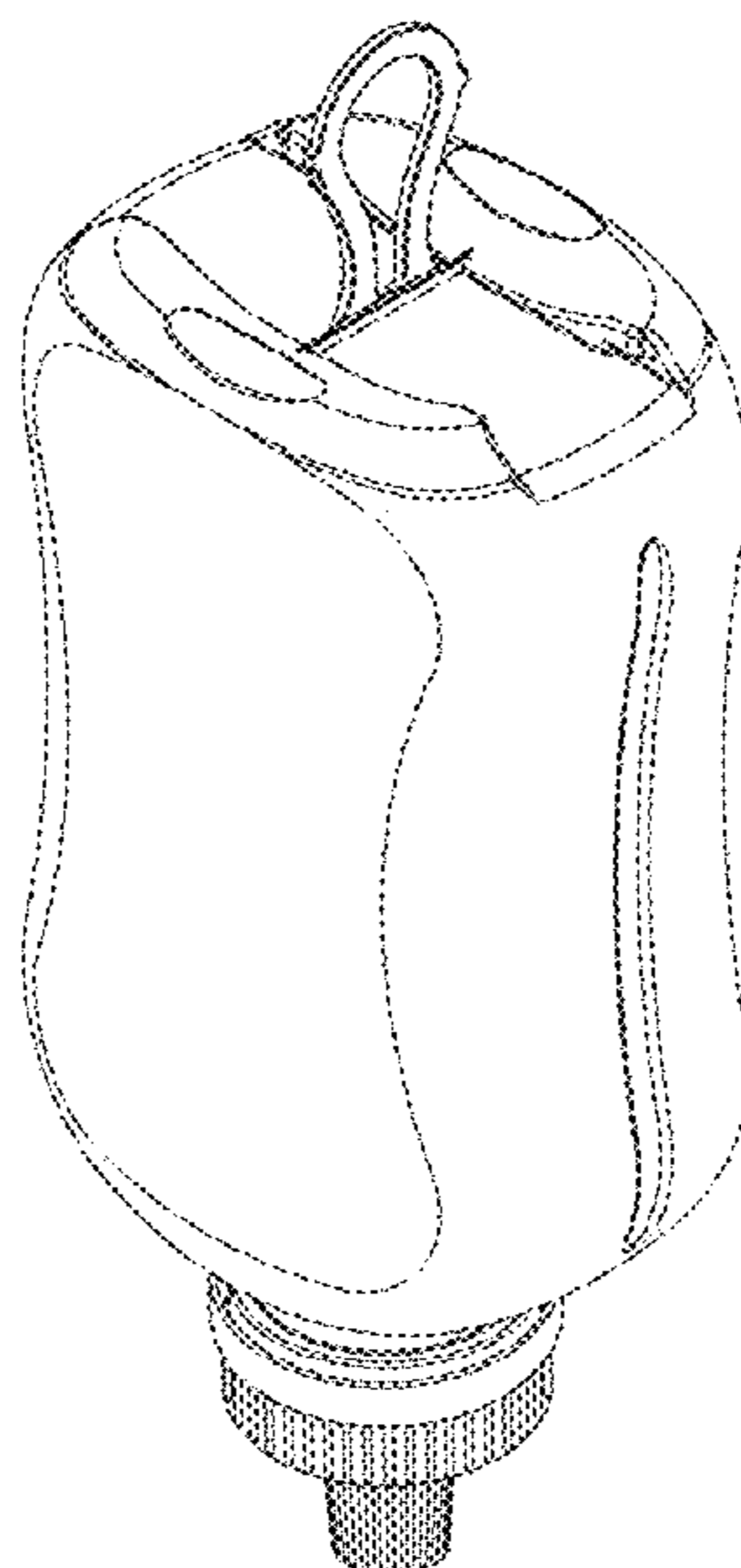
(30) **Foreign Application Priority Data**
Mar. 2, 2017 (EM) 003780394-001
Mar. 2, 2017 (EM) 003780394-002
(Continued)

DESCRIPTION
The patent or application file contains at least one drawing executed in color. Copies of this patent or patent application publication with color drawing(s) will be provided by the Office upon request and payment of the necessary fee.
FIG. 1 is a top perspective view of a second embodiment of our design for a bottle;
FIG. 2 is a bottom perspective view of the embodiment of FIG. 1;
FIG. 3 is a right side plan view of the embodiment of FIG. 1, the left side being a mirror image thereof;
FIG. 4 is a front plan view of the embodiment of FIG. 1, the rear being a mirror image thereof;
FIG. 5 is a bottom plan view of the embodiment of FIG. 1;
FIG. 6 is a top plan view of the embodiment of FIG. 1;
FIG. 7 is a top perspective view of a second embodiment thereof;
FIG. 8 is a bottom perspective view of the embodiment of FIG. 7;
FIG. 9 is a right side plan view of the embodiment of FIG. 7, the left side being a mirror image thereof;
FIG. 10 is a front plan view of the embodiment of FIG. 7, the rear being a mirror image thereof;
FIG. 11 is a bottom plan view of the embodiment of FIG. 7; and,
FIG. 12 is a top plan view of the embodiment of FIG. 7.

(51) **LOC (12) Cl.** **09-03**
(52) **U.S. Cl.**
USPC **D9/420; D9/421**
(58) **Field of Classification Search**
USPC D9/521, 551, 741, 542, 710, 449, 520,
D9/719, 708, 571; D7/510, 590;
D24/224, 197
(Continued)

(56) **References Cited**
U.S. PATENT DOCUMENTS
3,107,035 A * 10/1963 Cholet B65D 47/18
222/213
3,481,501 A * 12/1969 Anderson B65D 23/10
215/397
(Continued)

1 Claim, 12 Drawing Sheets
(5 of 12 Drawing Sheet(s) Filed in Color)



(30) **Foreign Application Priority Data**

Mar. 2, 2017 (EM) 003780394-003
Mar. 2, 2017 (EM) 003780394-004

(58) **Field of Classification Search**

CPC B29C 49/482; B65D 47/18; A61J 1/05
See application file for complete search history.

(56) **References Cited**

U.S. PATENT DOCUMENTS

D326,228 S * 5/1992 Stratford D24/224
D333,266 S * 2/1993 Walravens D9/520
D439,165 S * 3/2001 Erckelbout D9/520
D498,146 S * 11/2004 Densky D9/571
D530,618 S * 10/2006 Estabrook D9/551
D533,076 S * 12/2006 Awbrey D9/719
D537,355 S * 2/2007 Brauner D9/542
D589,805 S * 4/2009 Kunesh D9/521
D616,756 S * 6/2010 Schlies D9/542
D672,249 S * 12/2012 Nukuto D9/542
D723,377 S * 3/2015 Janney D9/542
D730,533 S * 5/2015 Wilson D24/197
D739,750 S * 9/2015 Luijendijk D9/529
D742,237 S * 11/2015 Snyder D9/537
D743,809 S * 11/2015 Roth D9/529
D752,925 S * 4/2016 Lewis D7/590
D792,776 S * 7/2017 Le D9/521
D798,723 S * 10/2017 Nguyen D9/542
D805,401 S * 12/2017 Boctor D9/741
D814,315 S * 4/2018 Bell D9/708
D818,828 S * 5/2018 Cannamela D9/521
D828,172 S * 9/2018 Bos D9/542
D847,652 S * 5/2019 Forrest D9/551
D883,788 S * 5/2020 Kuhn D9/521
2018/0251254 A1 * 9/2018 Groot A61J 1/05

* cited by examiner

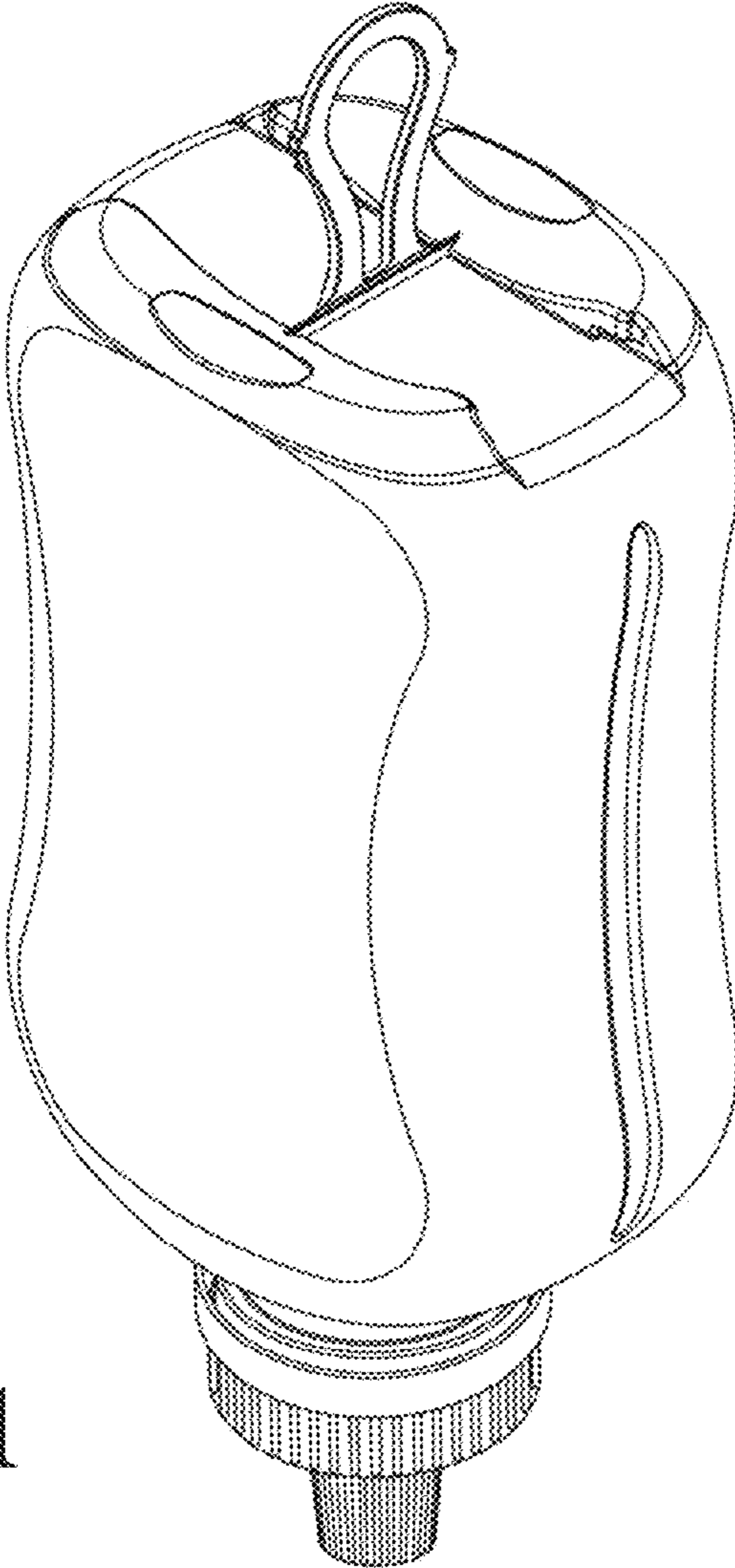


Fig. 1

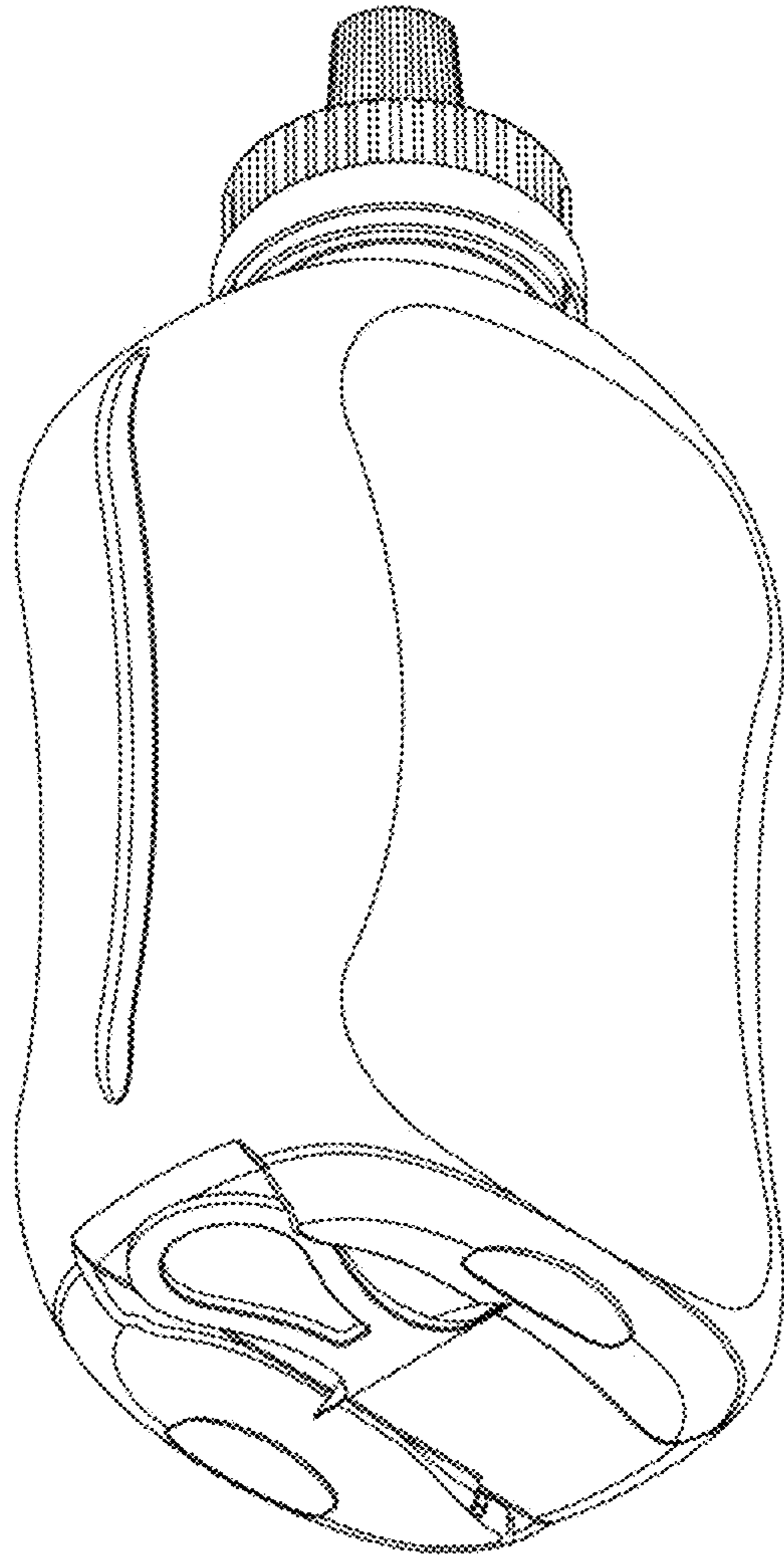


Fig. 2

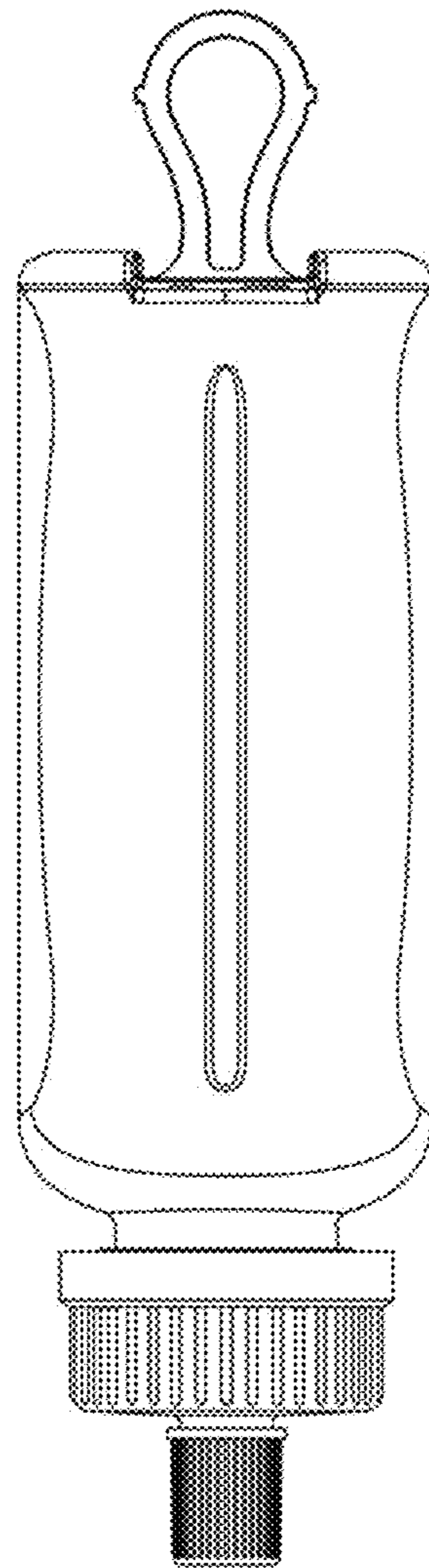


Fig. 3

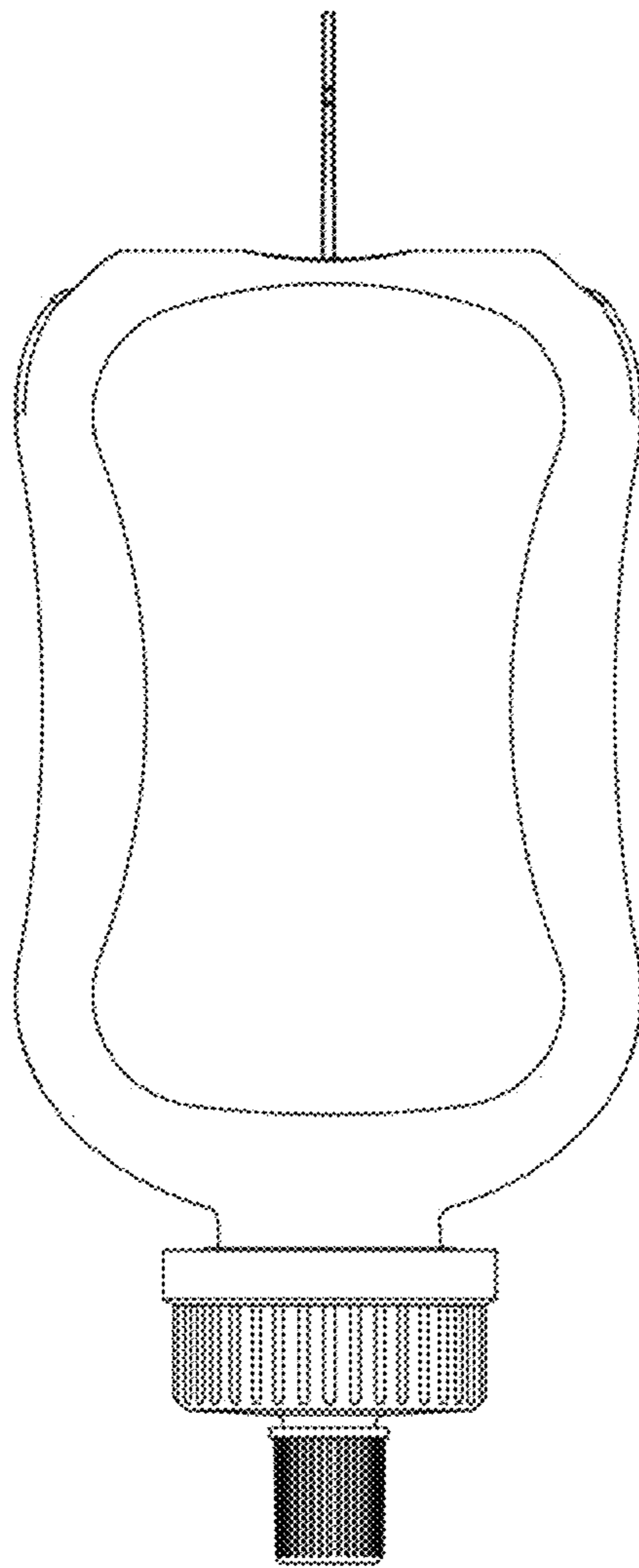


Fig. 4

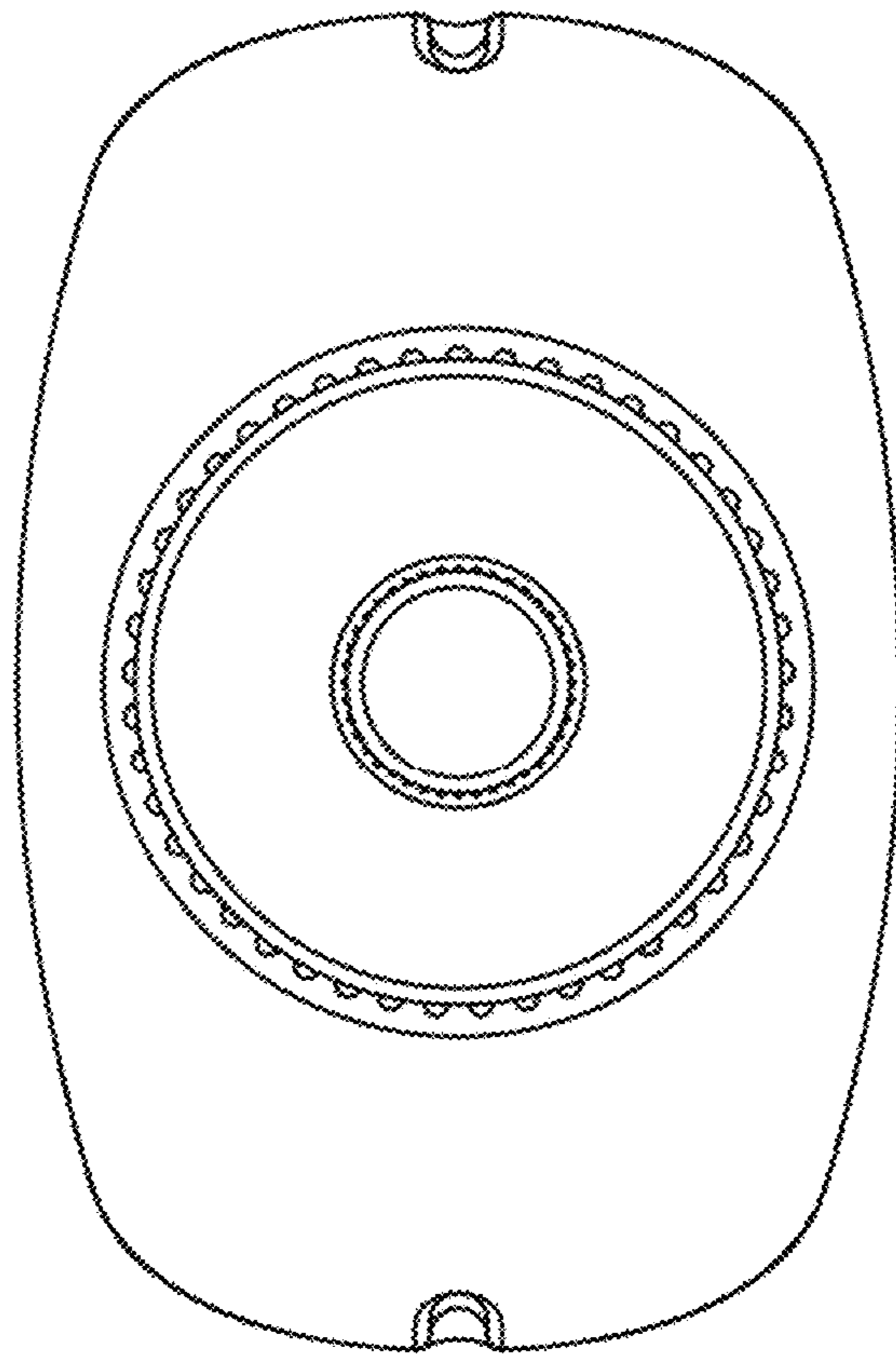


Fig. 5

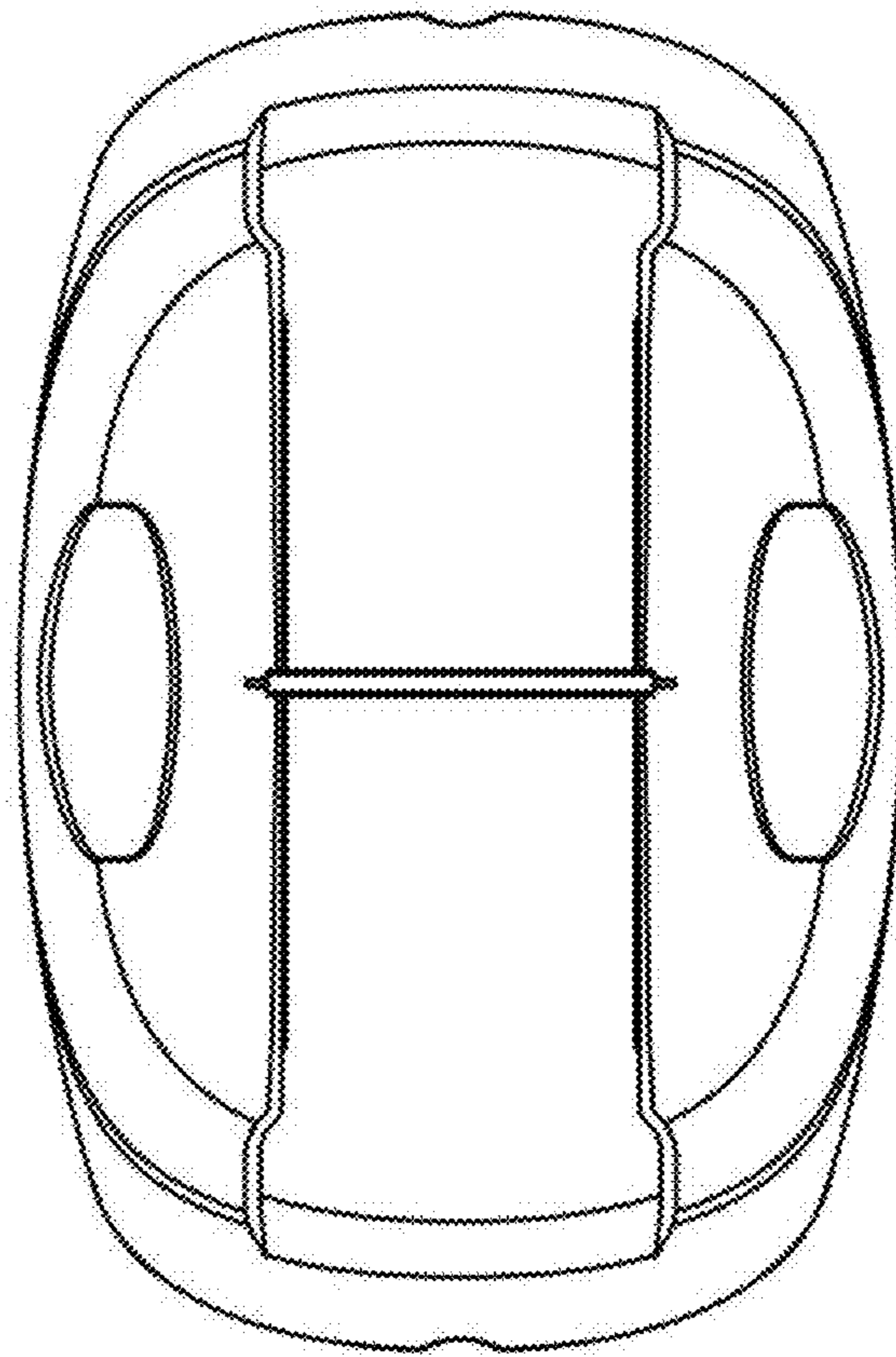


Fig. 6

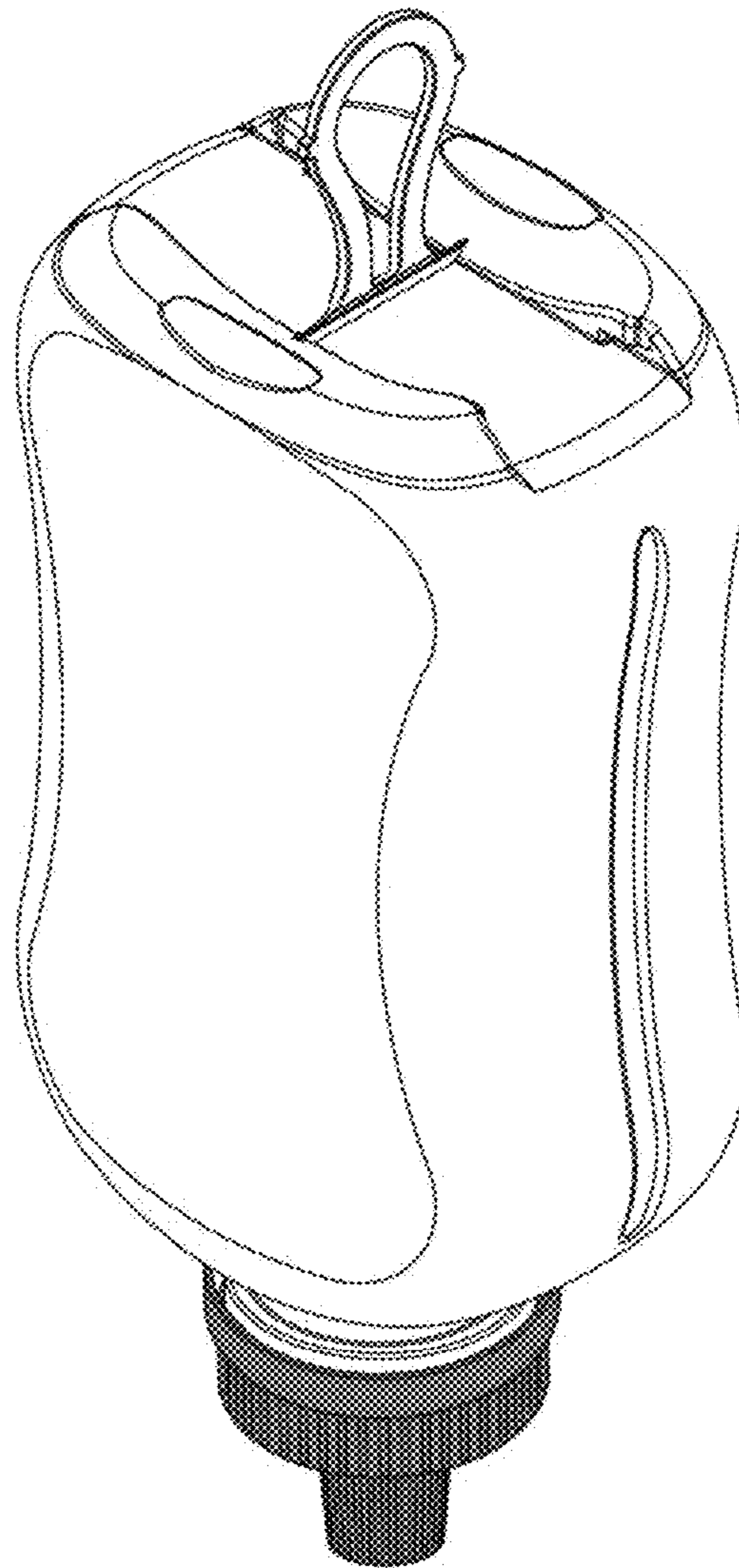


Fig. 7

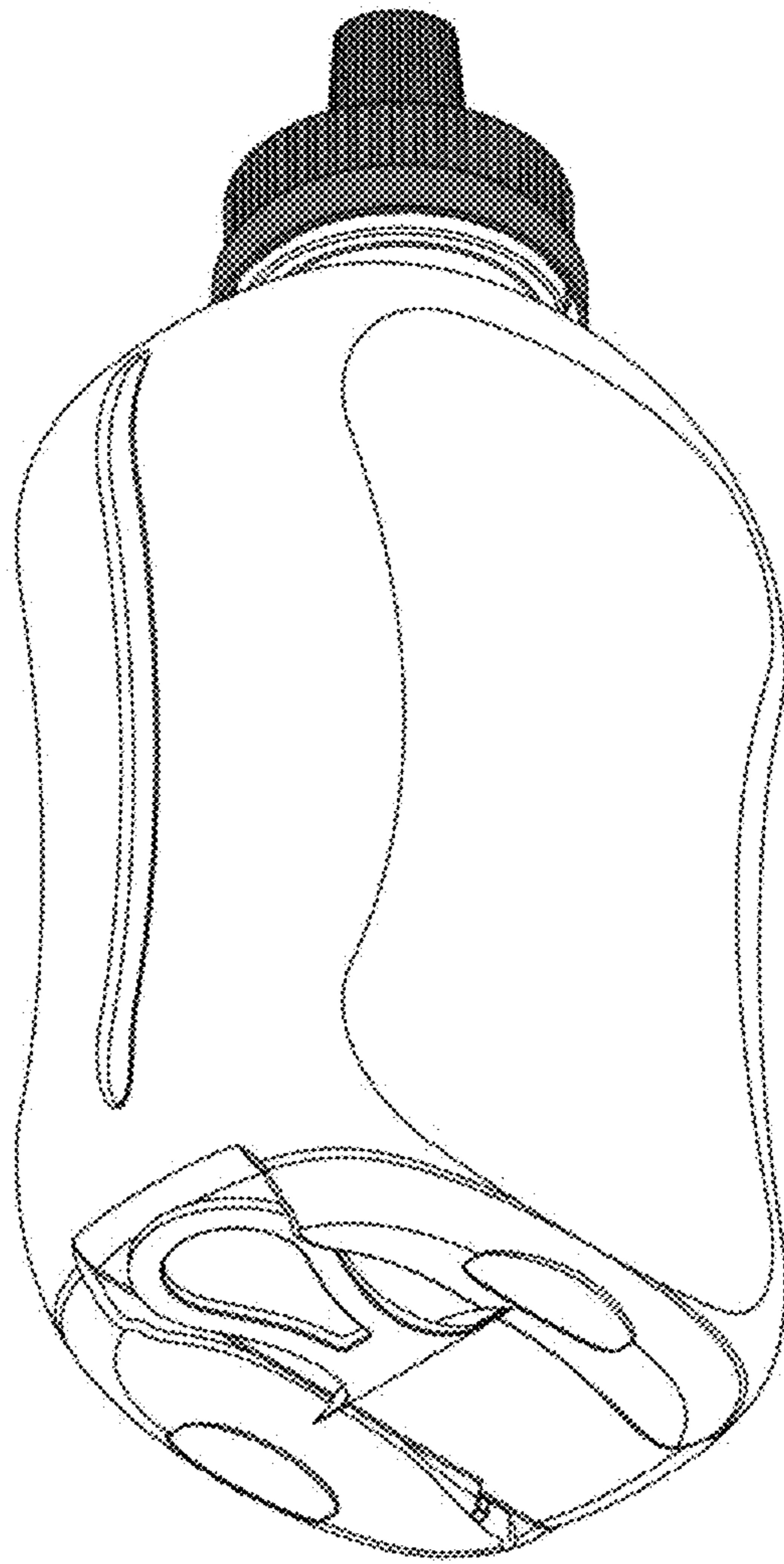


Fig. 8

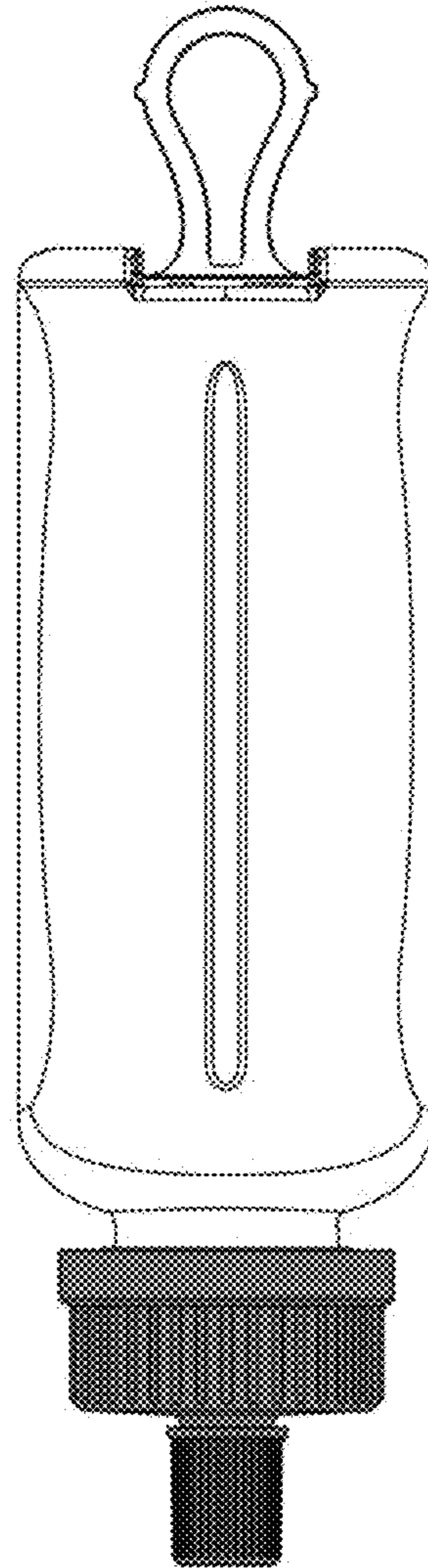


Fig. 9

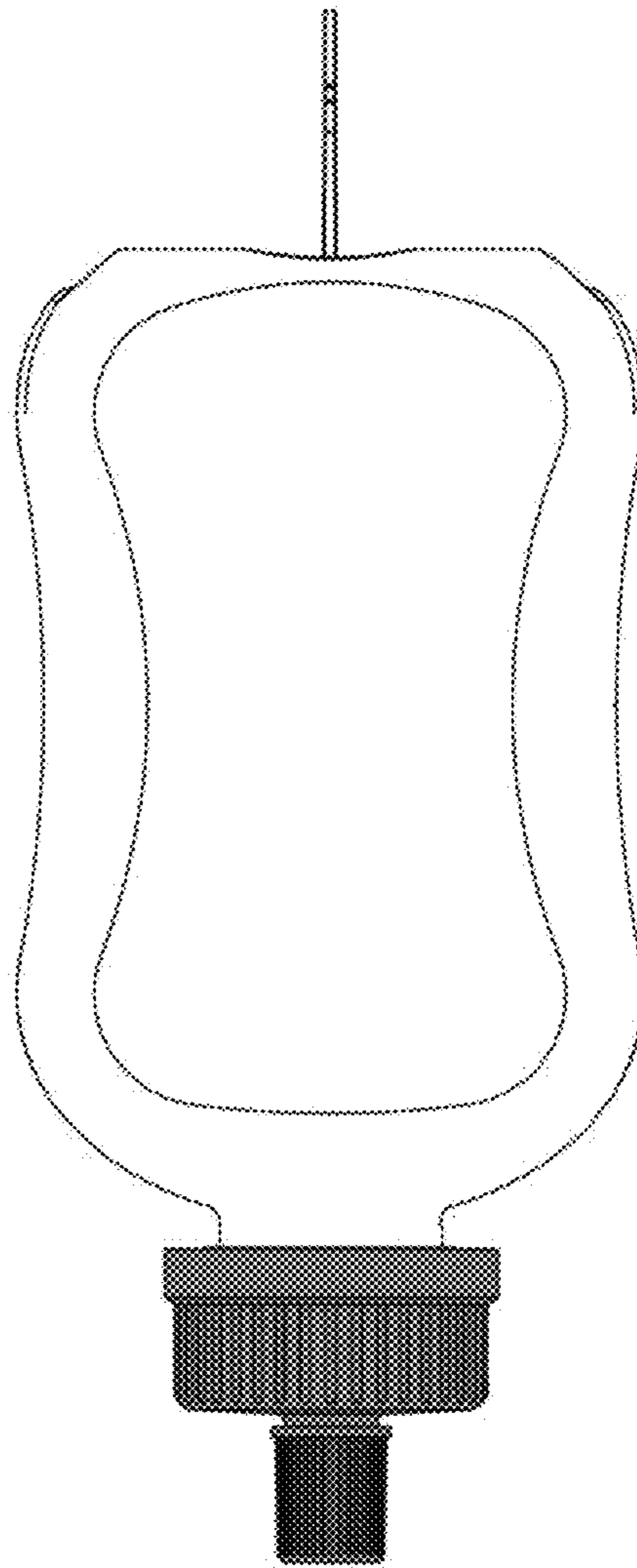


Fig. 10

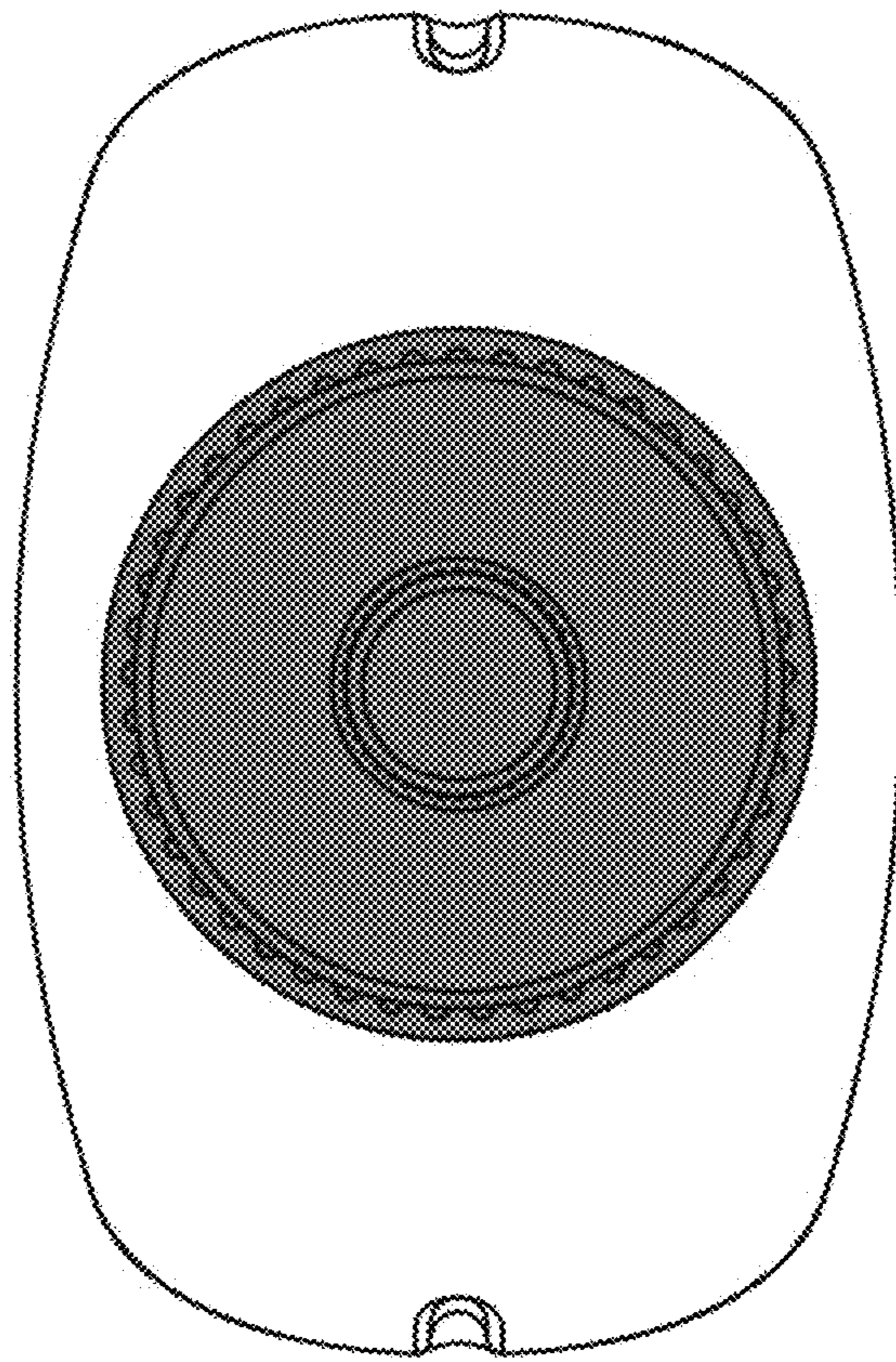


Fig. 11

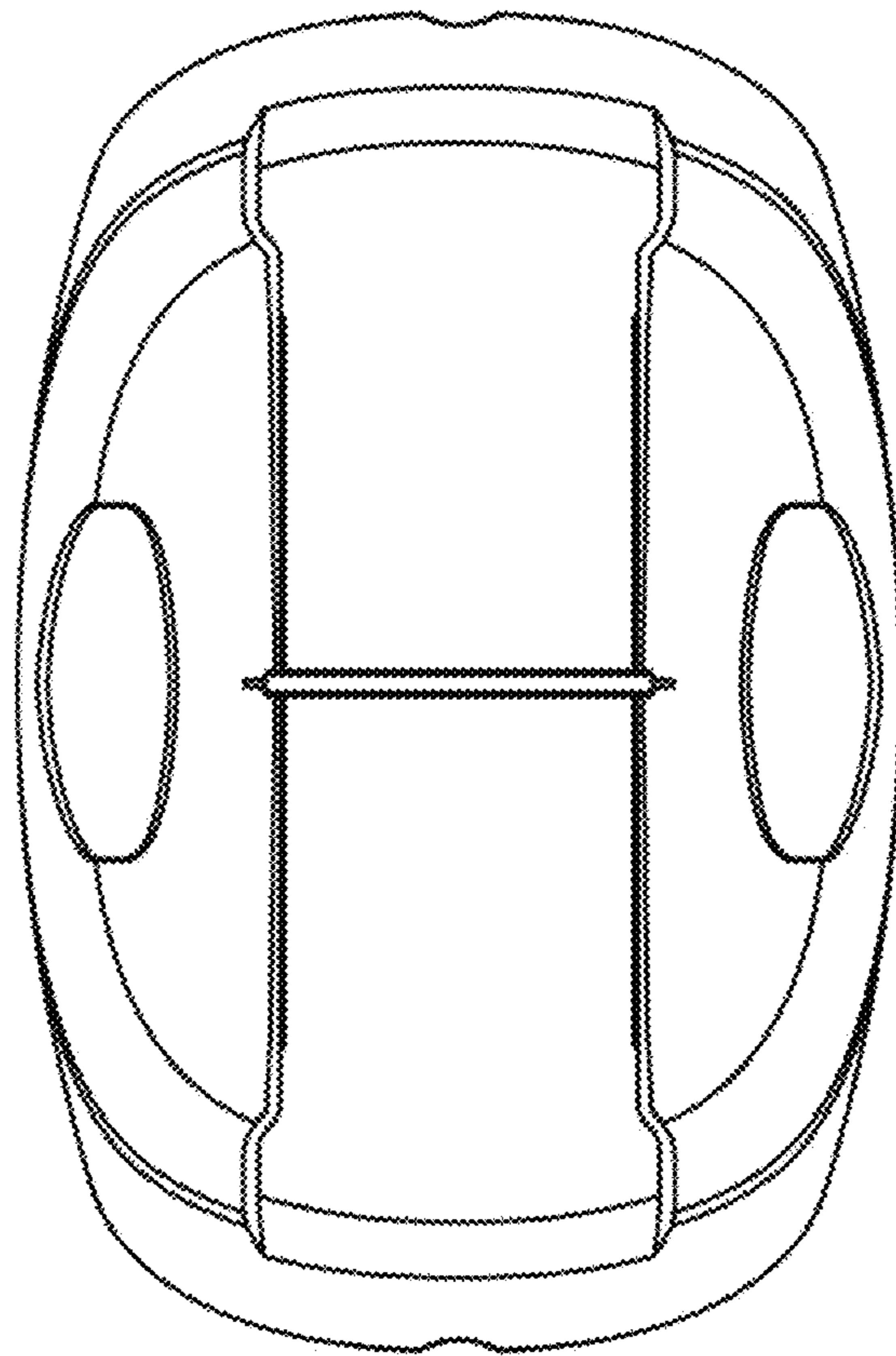


Fig. 12