



US00D904873S

(12) **United States Design Patent**  
**Sill et al.**

(10) **Patent No.:** **US D904,873 S**  
(45) **Date of Patent:** **\*\* Dec. 15, 2020**

(54) **CLOSEABLE CARTON**

(71) Applicant: **Inno-Pak, LLC**, Delaware, OH (US)

(72) Inventors: **Jonathan D. Sill**, Delaware, OH (US);  
**Steven A. Mayer**, Indianapolis, IN (US)

(73) Assignee: **Inno-Pak, LLC**, Delaware, OH (US)

(\*\*) Term: **15 Years**

(21) Appl. No.: **29/700,670**

(22) Filed: **Aug. 5, 2019**

**Related U.S. Application Data**

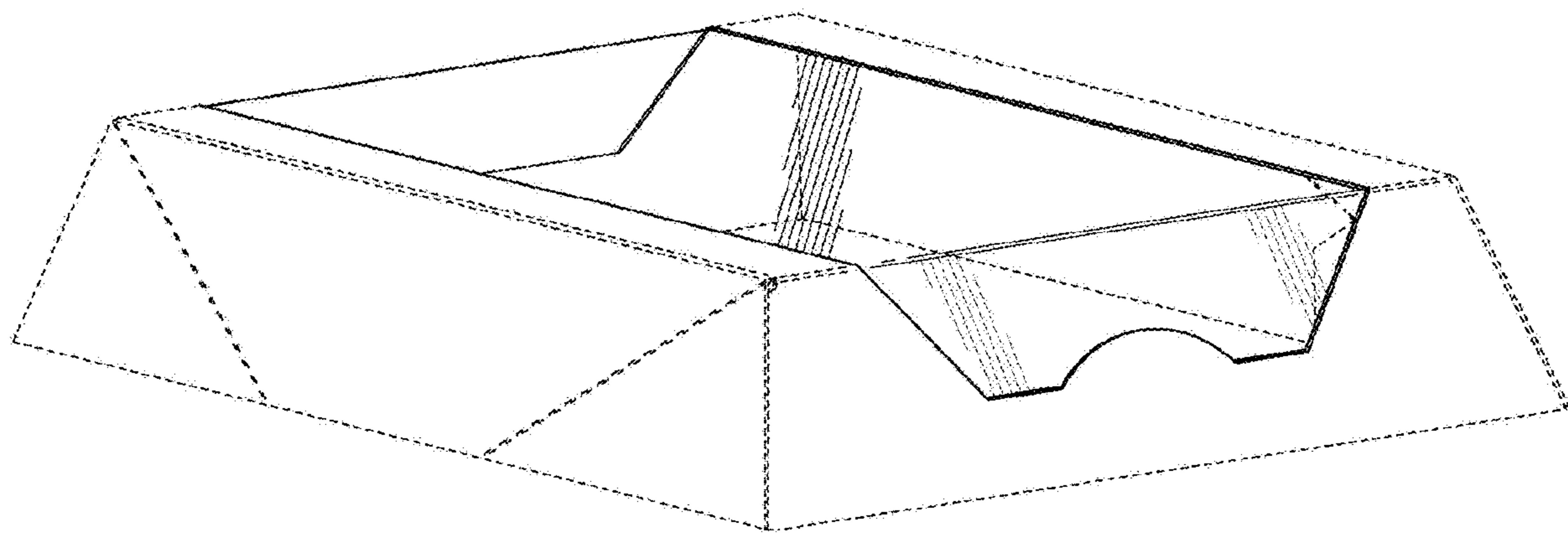
(60) Division of application No. 29/633,123, filed on Jan. 12, 2018, now Pat. No. Des. 879,604, which is a continuation-in-part of application No. 29/573,421, filed on Aug. 5, 2016, now abandoned, which is a division of application No. 29/539,525, filed on Sep. 15, 2015, now Pat. No. Des. 774,893, which is a continuation of application No. 29/527,085, filed on May 15, 2015, now Pat. No. Des. 762,113, said application No. 29/633,123 is a continuation-in-part of application No. 29/573,599, filed on Aug. 8, 2016, now abandoned, which is a division of application No. 29/545,302, filed on Nov. 11, 2015, now Pat. No. Des. 774,896, which is a continuation-in-part of application No. 29/527,085, filed on May 15, 2015, now Pat. No. Des. 762,113, said application No. 29/633,123 is a continuation-in-part of application No. 29/604,589, filed on May 18, 2017, now Pat. No. Des. 816,480, which is a division of application No. 29/573,472, filed on Aug. 5, 2016, now Pat. No. Des. 787,314, which is a division of application No. 29/545,297, filed on Nov. 11, 2015, now Pat. No. Des. 786,663, which is a continuation of application No. 29/516,707, filed on Feb. 5, 2015, now Pat. No. Des. 774,891, said application No. 29/633,123 is a continuation of application No. 29/604,586, filed on May 18, 2017, now Pat. No. Des. 816,479, which is a division of application No. 29/573,600, filed on

Aug. 8, 2016, now Pat. No. Des. 787,316, which is a division of application No. 29/545,304, filed on Nov. 11, 2015, now Pat. No. Des. 787,313, which is a continuation-in-part of application No. 29/527,085, filed on May 15, 2015, now Pat. No. Des. 762,113, said application No. 29/633,123 is a continuation of application No. 29/615,117, filed on Aug. 25, 2017, now Pat. No. Des. 846,378, which is a division of application No. 29/566,225, filed on May 27, 2016, now Pat. No. Des. 800,546, said application No. 29/633,123 is a continuation of application No. 29/615,115, filed on Aug. 25, 2017, now Pat. No. Des. 846,981, which is a division of application No. 29/567,061, filed on Jun. 6, 2016, now Pat. No. Des. 799,955, said application No. 29/633,123 is a continuation of application No. 29/615,120, filed on Aug. 25, 2017, now Pat. No. Des. 879,603, which is a division of application No. 29/573,602, filed on Aug. 8, 2016, now Pat. No. Des. 799,317, which is a division of application No. 29/545,314, filed on Nov. 11, 2015, now Pat. No. Des. 776,522, said application No. 29/633,123 is a continuation of application No. 29/615,119, filed on Aug. 25, 2017, now Pat. No. Des. 847,626, which is a division of application No. 29/567,062, filed on Jun. 6, 2016, now Pat. No. Des. 800,548, said application No. 29/633,123 is a continuation of application No. 29/615,118, filed on Aug. 25, 2017, now Pat. No. Des. 846,379, which is a division of application No. 29/566,228, filed on May 27, 2016, now Pat. No. Des. 800,547.

(51) **LOC (12) CI.** ..... **09-03**

(52) **U.S. CI.**  
USPC ..... **D9/418**

(58) **Field of Classification Search**  
USPC .... D9/414-419, 447, 715, 737, 721; D7/91,  
D7/505; D3/215; D10/64; D23/366;  
D6/515; D11/143; D19/59



CPC .. B65D 5/4204; B65D 5/4266; B65D 5/4208;  
B65D 85/36

See application file for complete search history.

(56)

References Cited

U.S. PATENT DOCUMENTS

D259,253 S 5/1981 Nelson  
D262,945 S 2/1982 Lytra  
D263,796 S \* 4/1982 Fireman ..... D9/418  
D265,551 S \* 7/1982 Colby ..... D9/415  
D271,283 S \* 11/1983 Taylor ..... D9/415  
D271,664 S \* 12/1983 Cowan, Jr. .... D9/418  
D274,407 S \* 6/1984 Rosenburg, Jr. .... D9/418  
D279,355 S \* 6/1985 Ujiie ..... D9/414  
D291,065 S 7/1987 Pugh  
D295,958 S 5/1988 Pugh  
D295,959 S \* 5/1988 Pugh ..... D9/737  
D300,906 S \* 5/1989 Caldwell ..... D9/418  
D302,948 S \* 8/1989 Blum ..... D9/715  
D304,907 S \* 12/1989 Tamsen ..... D9/418  
D305,204 S \* 12/1989 Reifein ..... D9/761  
4,911,298 A 3/1990 Miyagawa et al.  
D308,941 S \* 7/1990 Kong ..... D7/505  
D309,262 S 7/1990 Coiner  
D309,753 S \* 8/1990 Kagelmann-Holtz ..... D19/59  
D326,225 S \* 5/1992 Beckerman ..... D9/416  
5,114,002 A 5/1992 Warner  
D332,347 S 1/1993 Raadt et al.  
D332,744 S 1/1993 McCooey  
D333,781 S 3/1993 Kobel  
D335,820 S \* 5/1993 Detert ..... D9/761  
D337,047 S \* 7/1993 Pearce ..... D9/415  
D351,554 S \* 10/1994 Kim ..... D9/415  
D362,405 S \* 9/1995 Dallimore ..... D11/143  
D365,755 S 1/1996 Kanfer et al.  
5,505,372 A 4/1996 Edson et al.  
D371,070 S \* 6/1996 Brier ..... D9/415  
D371,959 S \* 7/1996 Hupp ..... D9/418  
D372,401 S 8/1996 Lillelund et al.  
D378,126 S \* 2/1997 Williams ..... D23/366  
D380,964 S \* 7/1997 Miller ..... D9/415  
D383,669 S \* 9/1997 Taylor ..... D9/669  
D386,079 S \* 11/1997 Harper ..... D9/418  
D387,979 S \* 12/1997 Dolan ..... D9/415  
D389,739 S \* 1/1998 Auclair ..... D9/418  
D401,147 S 11/1998 Miller  
D403,576 S \* 1/1999 Weiss ..... D9/447  
D406,754 S \* 3/1999 Tanabe ..... D9/415  
D415,960 S 11/1999 Majdanski et al.  
5,992,733 A 11/1999 Gomes  
D425,702 S \* 5/2000 Baich ..... D10/64  
D429,462 S \* 8/2000 Kumakura ..... D9/415  
D429,635 S \* 8/2000 Ito ..... D9/415  
D430,017 S \* 8/2000 Ito ..... D9/415  
D430,396 S \* 9/2000 Biesecker ..... D3/215  
D433,260 S \* 11/2000 Shimbo ..... D6/515  
D440,491 S 4/2001 Stacy-ryan  
D442,859 S \* 5/2001 Hirschey ..... D9/418  
6,227,367 B1 5/2001 Harrelson et al.  
D443,204 S \* 6/2001 Garran ..... D9/415  
D464,878 S 10/2002 Thompson  
D469,349 S 1/2003 Meeker et al.  
D469,692 S 2/2003 Meeker et al.  
D485,172 S 1/2004 Defino, Jr.  
D518,371 S 4/2006 Franic  
D519,366 S 4/2006 Epstein  
D527,629 S 9/2006 Franic  
D536,245 S 2/2007 Bruun  
D536,612 S 2/2007 Geurts et al.  
D540,164 S 4/2007 Franic  
D556,599 S \* 12/2007 Keener ..... D9/721  
D570,683 S 6/2008 Kortsmid et al.  
D578,883 S 10/2008 Kisch  
D580,751 S 11/2008 Blick  
7,444,956 B2 11/2008 Vadis  
D582,791 S 12/2008 Elmerhaus  
D587,998 S 3/2009 Kaisanlahti et al.

D593,211 S 5/2009 Dewitt  
D595,104 S 6/2009 Goodrich  
D596,027 S 7/2009 Kalberer  
D601,016 S 9/2009 Kalberer  
D602,353 S 10/2009 Anderson et al.  
D605,506 S 12/2009 Franic  
D607,987 S 1/2010 Paxton et al.  
D616,739 S 6/2010 Kalberer  
D617,636 S 6/2010 Vanhoutte  
D618,543 S 6/2010 Polaski et al.  
7,780,004 B2 8/2010 Carlozzi et al.  
D623,939 S 9/2010 Tearle  
D624,405 S 9/2010 Franic  
D626,831 S 11/2010 Nicholas  
D629,294 S 12/2010 Chinnis  
D629,295 S 12/2010 Franic  
D636,662 S 4/2011 Ignacio et al.  
D637,078 S 5/2011 Peng  
D637,488 S 5/2011 Franic  
D638,702 S 5/2011 Lowery et al.  
D644,099 S 8/2011 Martinez Rodriguez  
D644,508 S 9/2011 Martinez Rodriguez  
D646,964 S 10/2011 Ampadu et al.  
D647,398 S 10/2011 Winkler  
D649,067 S 11/2011 Birdwell et al.  
D649,451 S 11/2011 Franic  
D649,886 S 12/2011 Ocampo  
D651,074 S 12/2011 Lacey  
D655,153 S 3/2012 Mitten et al.  
D668,540 S 10/2012 Lutzig  
D675,092 S 1/2013 Sill  
8,356,743 B2 1/2013 Spivey, Sr.  
D675,920 S 2/2013 Sill  
8,376,214 B2 2/2013 Spivey et al.  
D678,779 S 3/2013 Lee  
D679,950 S 4/2013 Cooper  
D681,444 S 5/2013 Oja et al.  
D685,633 S 7/2013 Thomas  
D688,568 S 8/2013 Noel  
D693,215 S 11/2013 Sill  
D693,216 S 11/2013 Sill  
D693,217 S 11/2013 Sill  
D693,218 S 11/2013 Sill  
D695,104 S 12/2013 Sill  
D696,725 S 12/2013 Sasken-Duff et al.  
8,607,987 B2 12/2013 Oja et al.  
D699,103 S 2/2014 Rathbone et al.  
D706,132 S 6/2014 Sill  
D708,511 S 7/2014 Green  
D710,713 S 8/2014 Fath  
D712,275 S 9/2014 Irek  
D713,716 S 9/2014 Oja et al.  
D716,649 S 11/2014 McAdam  
D717,162 S 11/2014 Baker  
D717,163 S 11/2014 Paulsen  
D717,645 S 11/2014 Wilmers  
D719,440 S 12/2014 Matloff  
D719,845 S 12/2014 Lee  
D722,869 S 2/2015 Himmelsbach et al.  
D726,004 S 4/2015 Chiang  
D727,732 S 4/2015 Petty  
D728,357 S 5/2015 Pierce, Jr. et al.  
D729,055 S 5/2015 Lemnios et al.  
D729,058 S 5/2015 Ishikawa  
D734,145 S 7/2015 Fath et al.  
D739,228 S 9/2015 Jondal et al.  
D740,654 S 10/2015 Boehnen et al.  
D743,248 S 11/2015 Fath et al.  
D746,673 S 1/2016 Sanfilippo et al.  
D746,699 S 1/2016 Fath  
D746,700 S 1/2016 Boehnen et al.  
D753,919 S 4/2016 Parker  
D760,598 S 7/2016 White et al.  
D762,113 S 7/2016 Mayer et al.  
D762,465 S 8/2016 Popper et al.  
D766,108 S 9/2016 Brown et al.  
D774,891 S 12/2016 Mayer et al.  
D774,893 S 12/2016 Mayer et al.  
D774,895 S 12/2016 Mayer et al.

D774,896 S	12/2016	Mayer et al.	
D774,897 S	12/2016	Mayer et al.	
D774,898 S	12/2016	Mayer et al.	
D776,522 S	1/2017	Mayer et al.	
D784,164 S *	4/2017	Toth .....	D6/515
D786,663 S	5/2017	Mayer et al.	
D787,313 S	5/2017	Mayer et al.	
D787,314 S	5/2017	Sill et al.	
D787,315 S	5/2017	Sill et al.	
D787,316 S	5/2017	Sill et al.	
D787,929 S	5/2017	Sill et al.	
D787,933 S	5/2017	Sill et al.	
D789,783 S	6/2017	DeBusk	
D795,696 S	8/2017	Pitera et al.	
D799,317 S	10/2017	Sill et al.	
D799,955 S	10/2017	Sill et al.	
D800,546 S	10/2017	Sill et al.	
D800,547 S	10/2017	Sill et al.	
D800,548 S	10/2017	Sill et al.	
D804,298 S	12/2017	Demmink	
D809,917 S	2/2018	Wieser	
D816,479 S *	5/2018	Sill .....	D9/418
D816,480 S	5/2018	Sill et al.	
D816,481 S	5/2018	Sill et al.	
D820,688 S	6/2018	Fath	
D822,283 S	7/2018	Gaito	
D822,480 S	7/2018	Rivera	
D829,095 S	9/2018	Mckenna et al.	
D839,725 S	2/2019	Ralston et al.	
D840,219 S	2/2019	Mckenna et al.	
D840,807 S	2/2019	Ross	
D842,098 S	3/2019	Ross	
D844,430 S	4/2019	Dammers et al.	
D846,378 S	4/2019	Sill et al.	
D846,379 S	4/2019	Sill et al.	
D846,981 S	4/2019	Sill et al.	
D846,982 S	4/2019	Horne	
D847,454 S	4/2019	Mathia	
D847,626 S	5/2019	Sill et al.	
D852,032 S	6/2019	Horne	
D854,925 S	7/2019	Fath	
D856,131 S	8/2019	Hon	
D856,794 S	8/2019	Sill et al.	
D856,795 S	8/2019	Sill et al.	
D856,796 S	8/2019	Sill et al.	
D856,797 S	8/2019	Sill et al.	
D865,517 S	11/2019	Gressel et al.	
D866,314 S	11/2019	Marotti	
D867,125 S	11/2019	Sill et al.	
D879,603 S	3/2020	Sill et al.	
D879,604 S *	3/2020	Sill .....	D9/418
D880,999 S	4/2020	Sill et al.	
D881,000 S *	4/2020	Sill .....	D9/418
D881,001 S *	4/2020	Sill .....	D9/418
D881,002 S *	4/2020	Sill .....	D9/418
2009/0236351 A1	9/2009	Chu et al.	
2010/0059579 A1	3/2010	House	
2013/0220873 A1	8/2013	Holley, Jr.	
2014/0103100 A1	4/2014	Falcon et al.	
2015/0344216 A1	12/2015	Petty et al.	

2016/0009442 A1	1/2016	Block et al.
2016/0362220 A1	12/2016	Kearns
2017/0066586 A1	3/2017	Petty et al.
2018/0009585 A1	1/2018	Ramsuer et al.
2018/0022500 A1	1/2018	Zhu
2018/0118403 A1	5/2018	Petty et al.
2018/0127141 A1	5/2018	Brundage et al.
2018/0141734 A1	5/2018	Kooc et al.
2018/0297761 A1	10/2018	Alexander et al.
2018/0319560 A1	11/2018	Blin et al.
2019/0009946 A1	1/2019	Nixon et al.
2019/0016501 A1	1/2019	Djokovic et al.
2019/0144157 A1	5/2019	Sill et al.

\* cited by examiner

*Primary Examiner* — Rhea Shields  
(74) *Attorney, Agent, or Firm* — Forrest Firm, P.C.

(57) **CLAIM**

The ornamental design for a closeable carton, as shown and described.

**DESCRIPTION**

FIG. 1 is a front perspective view of a first embodiment showing a closeable carton, a new design; FIG. 2 is a rear perspective view thereof; FIG. 3 is a front elevation view thereof; FIG. 4 is a rear elevation view thereof; FIG. 5 is a top plan view thereof; FIG. 6 is a front perspective view of a second embodiment showing a closeable carton, a new design; FIG. 7 is a rear perspective view thereof; FIG. 8 is a front elevation view thereof; FIG. 9 is a rear elevation view thereof; FIG. 10 is a top plan view thereof; FIG. 11 is a front perspective view of a third embodiment showing a closeable carton, a new design; FIG. 12 is a rear perspective view thereof; FIG. 13 is a front elevation view thereof; FIG. 14 is a rear elevation view thereof; FIG. 15 is a top plan view thereof; FIG. 16 is a front perspective view of a fourth embodiment showing a closeable carton, a new design; FIG. 17 is a rear perspective view thereof; FIG. 18 is a front elevation view thereof; FIG. 19 is a rear elevation view thereof; and, FIG. 20 is a top plan view thereof. In the drawings, the broken lines are for the purpose of illustrating portions of the closeable carton that form no part of the claimed design.

**1 Claim, 16 Drawing Sheets**

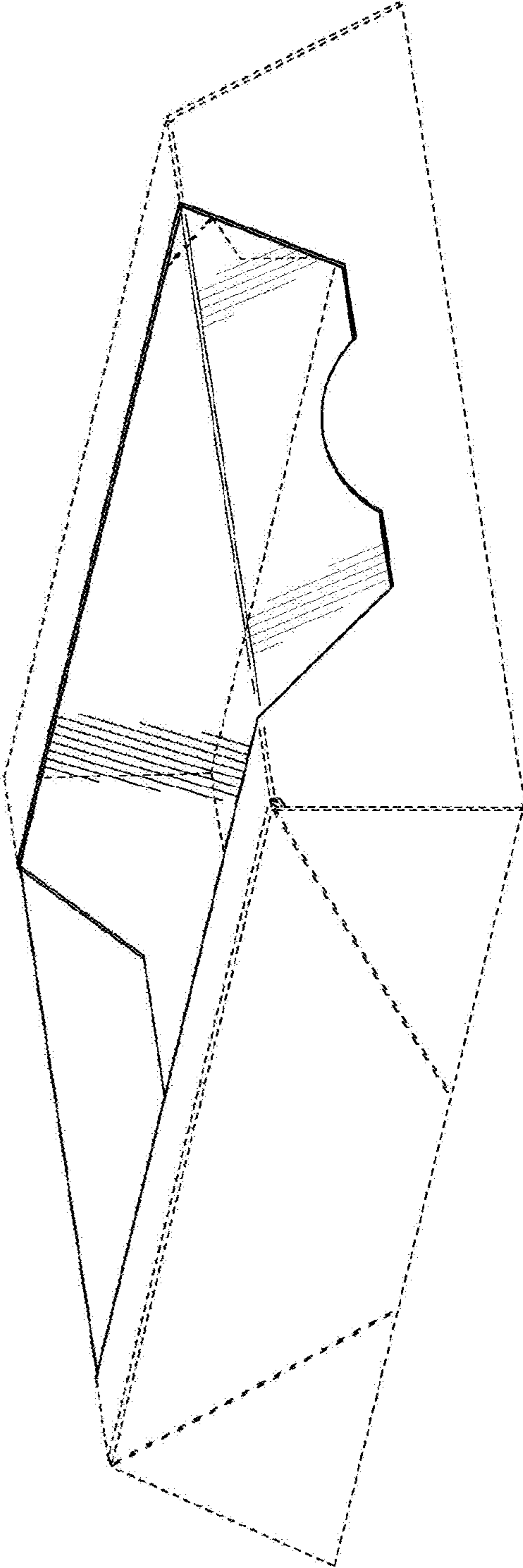


FIG. 1

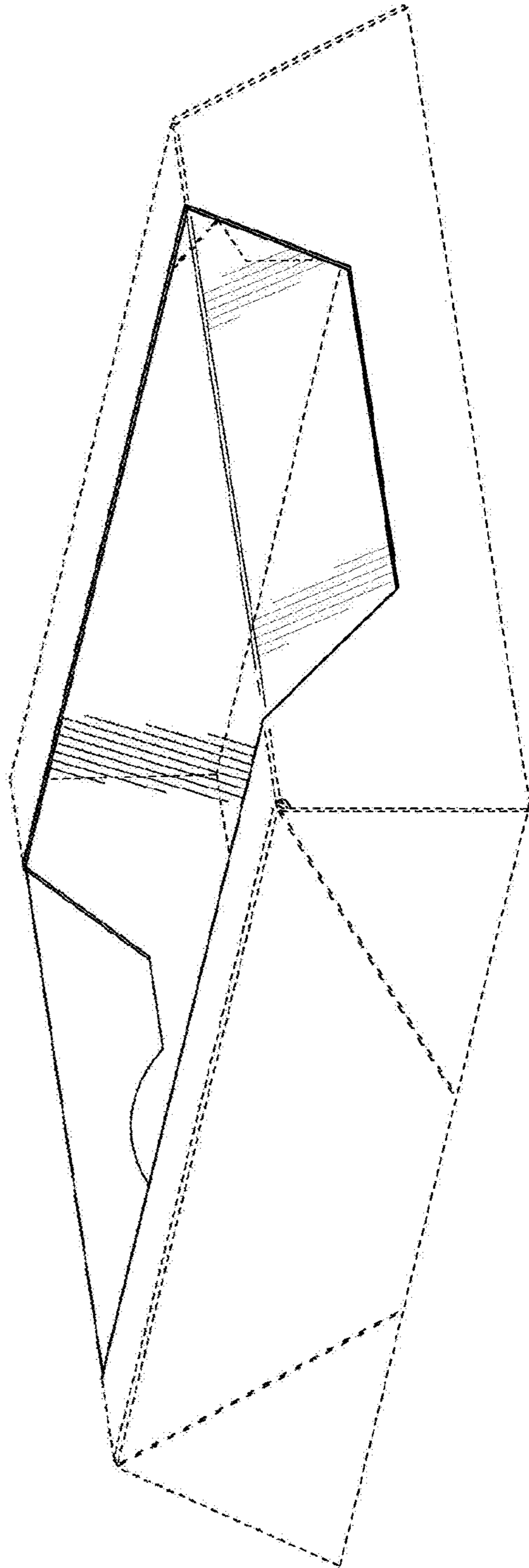


FIG. 2

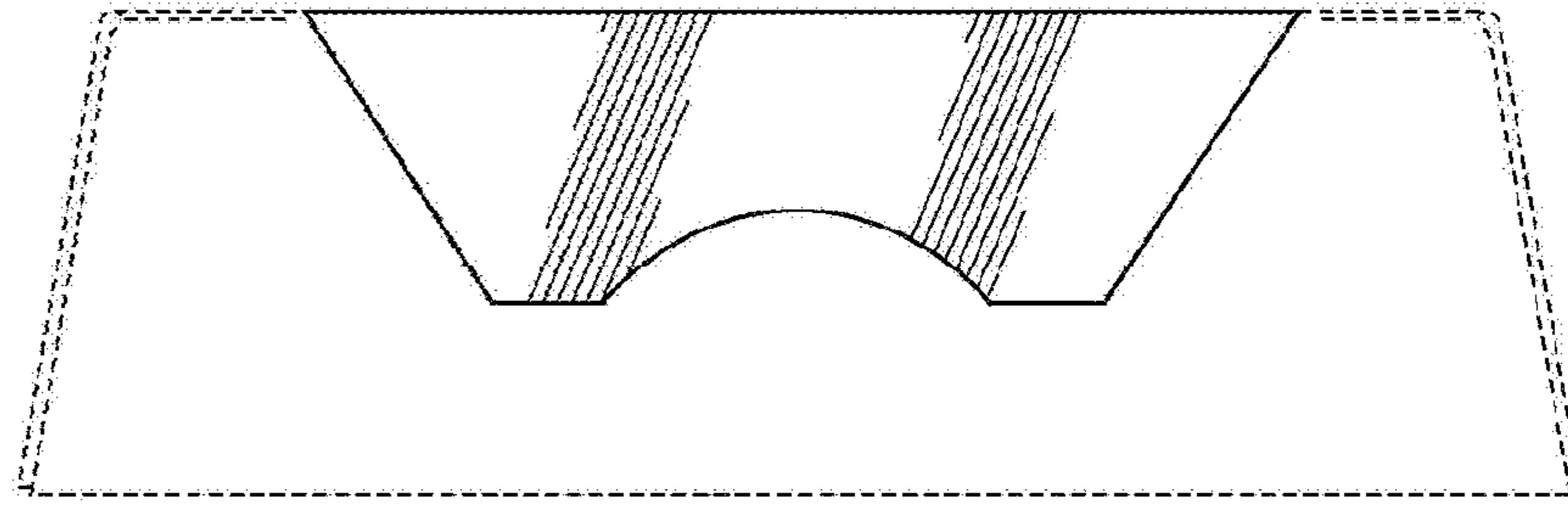


FIG. 3

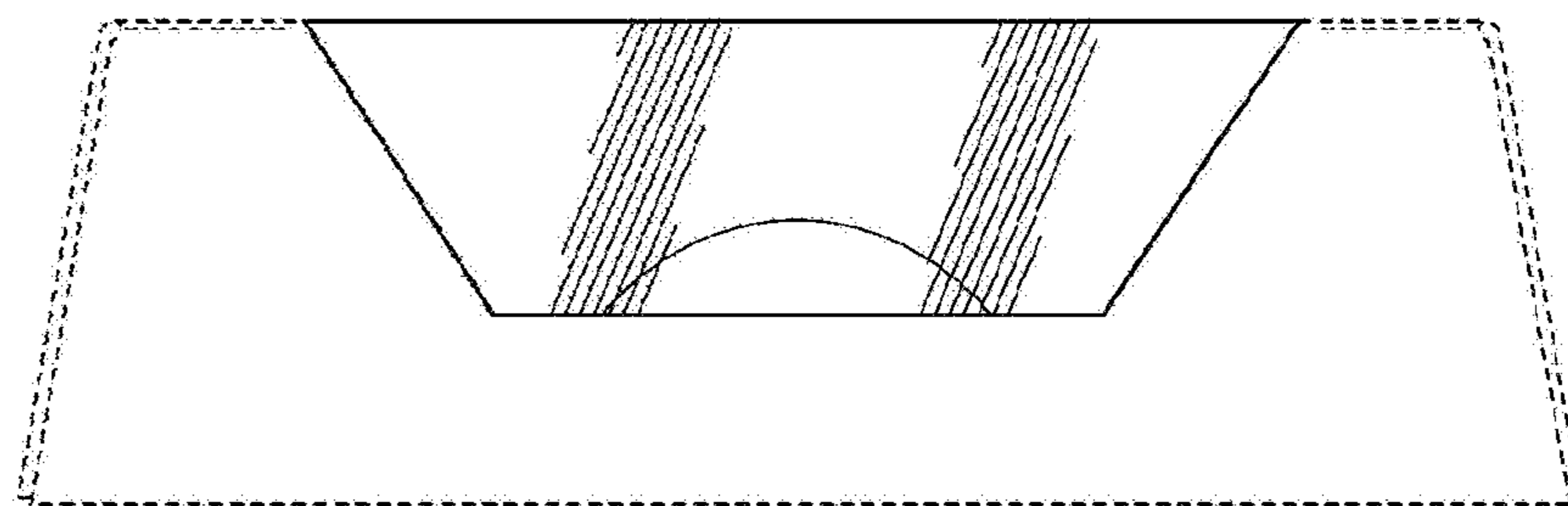


FIG. 4

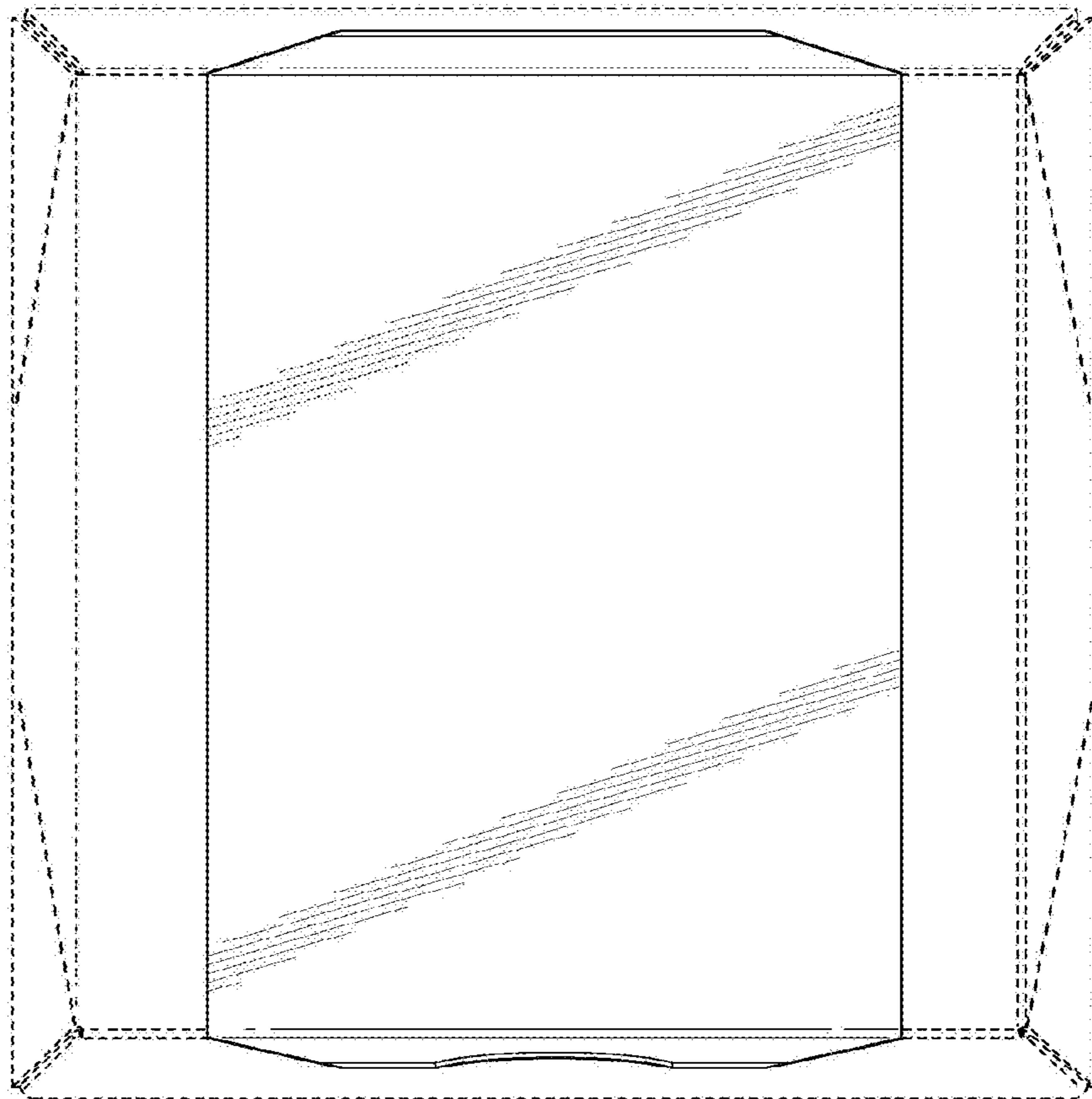


FIG. 5

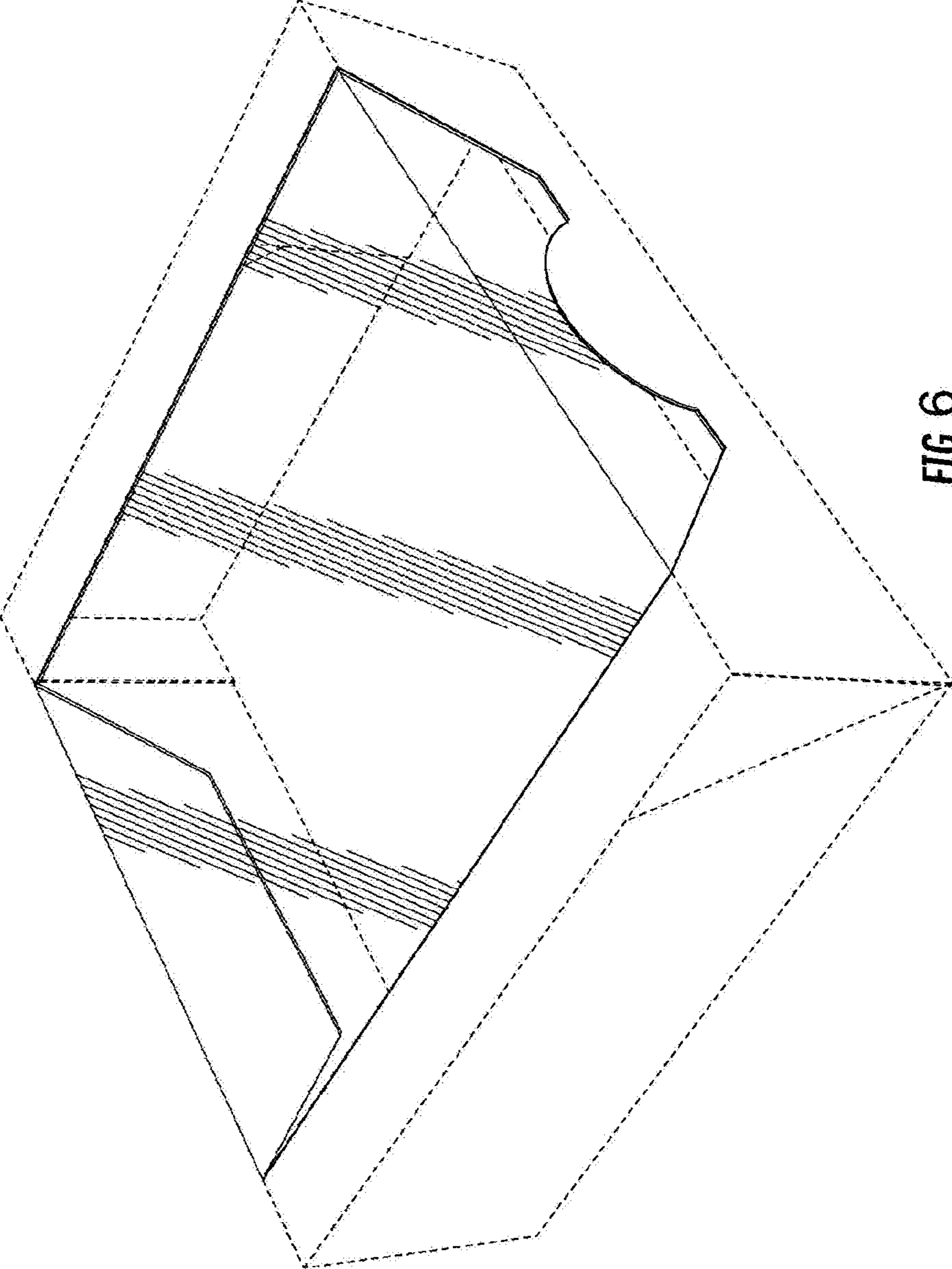


FIG. 6



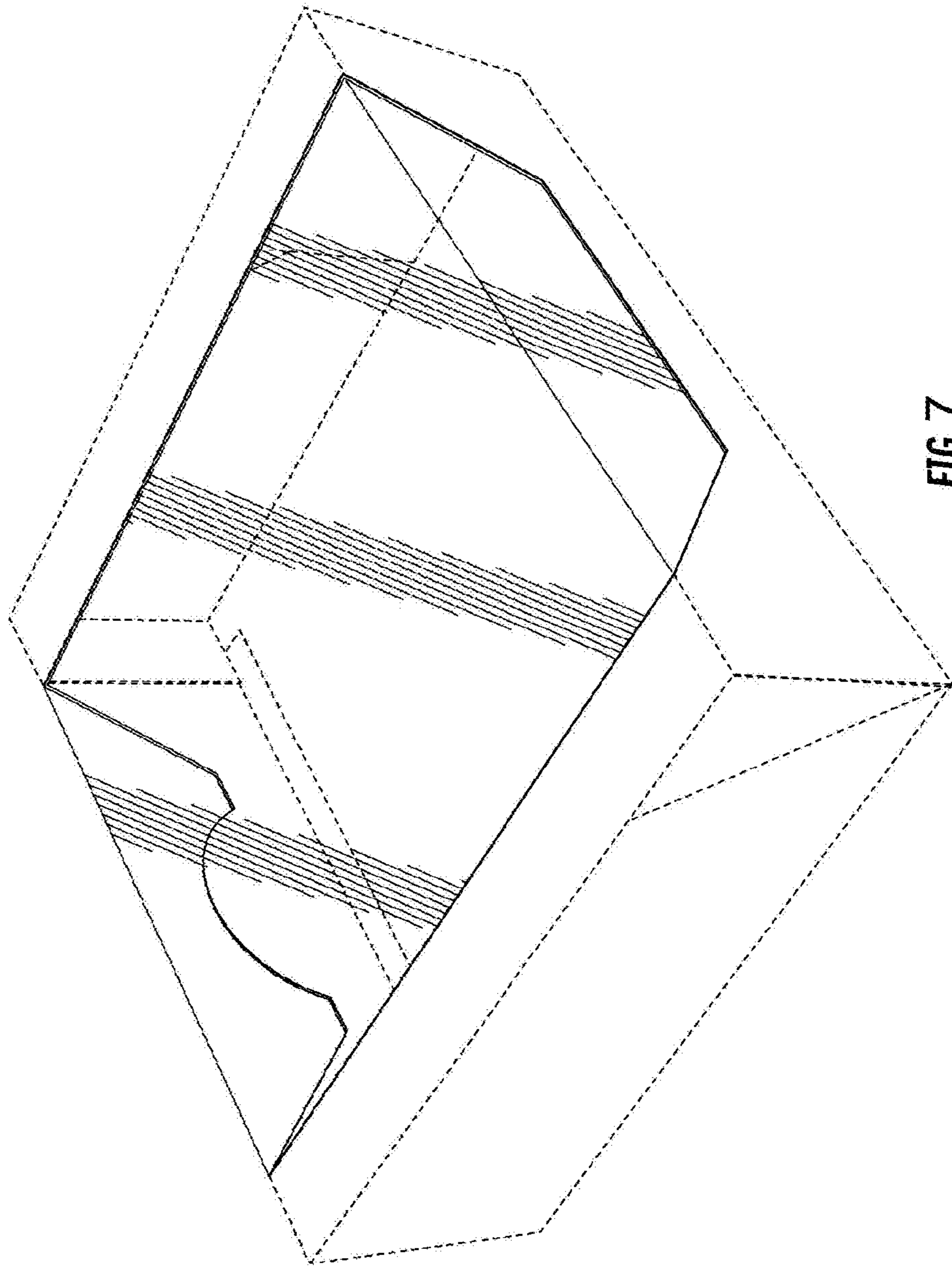


FIG. 7

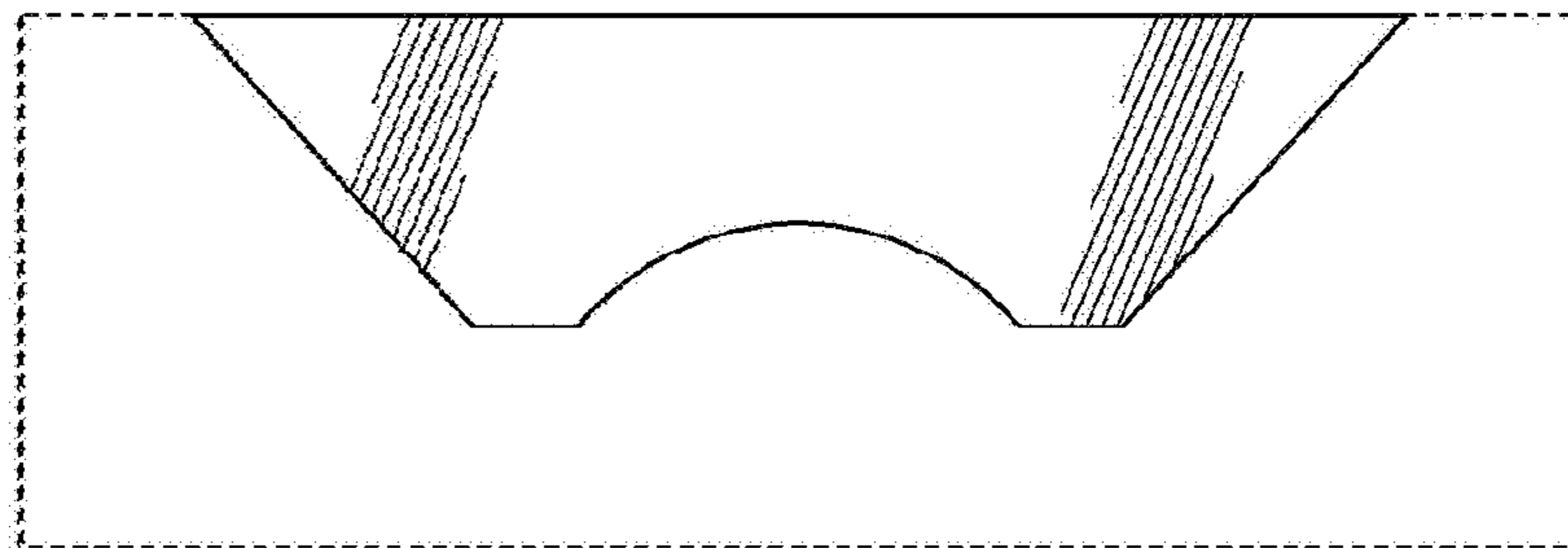


FIG. 8

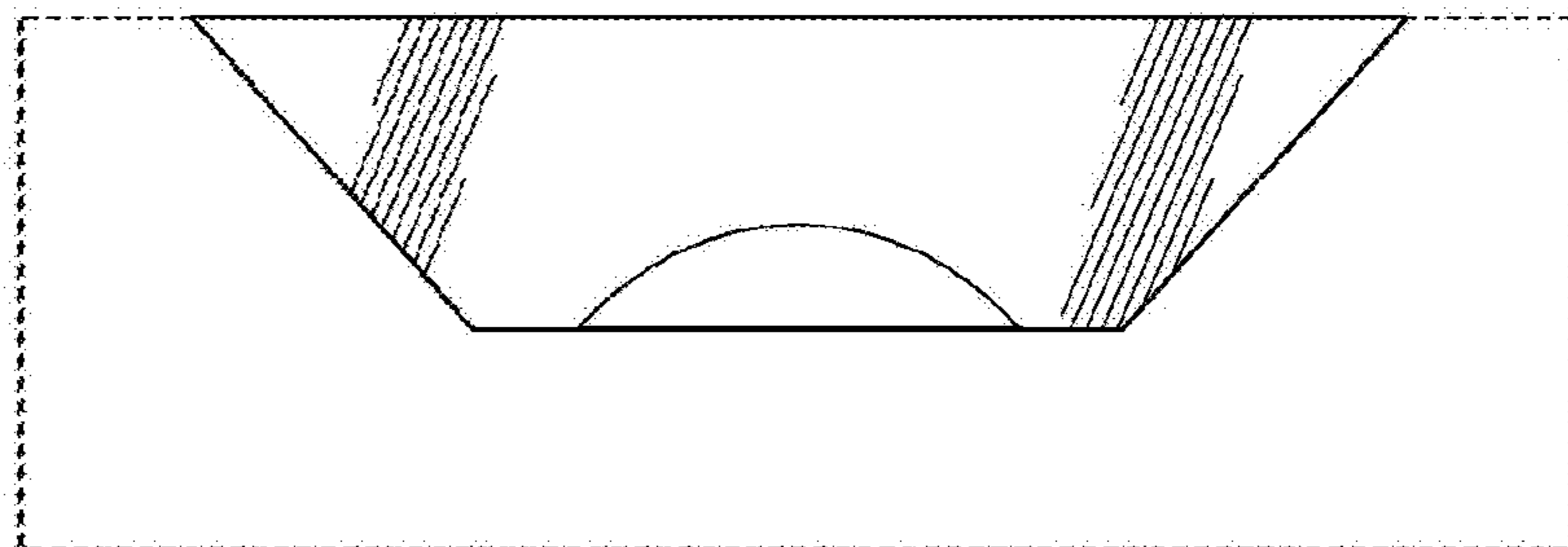
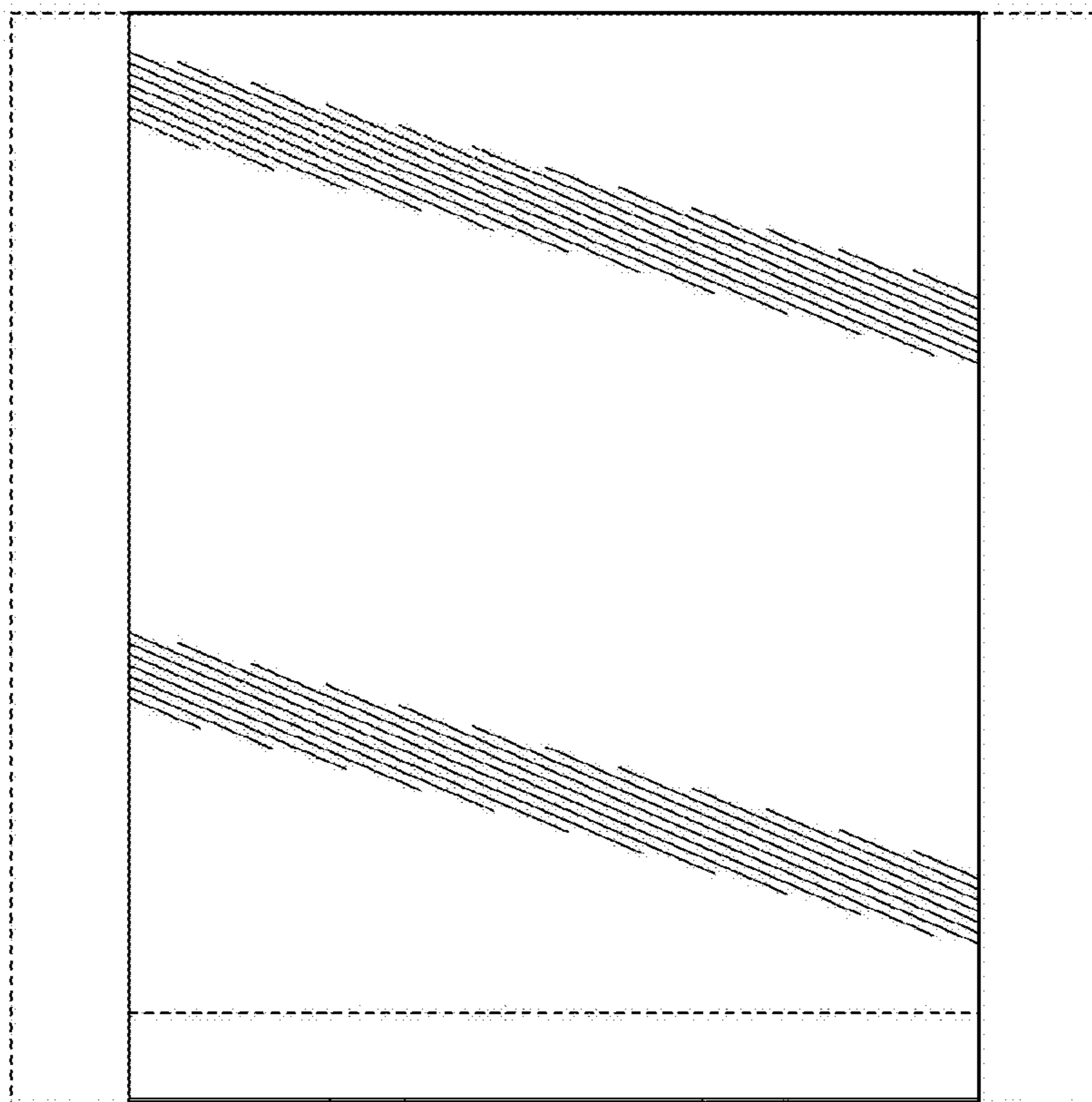


FIG. 9



**FIG. 10**

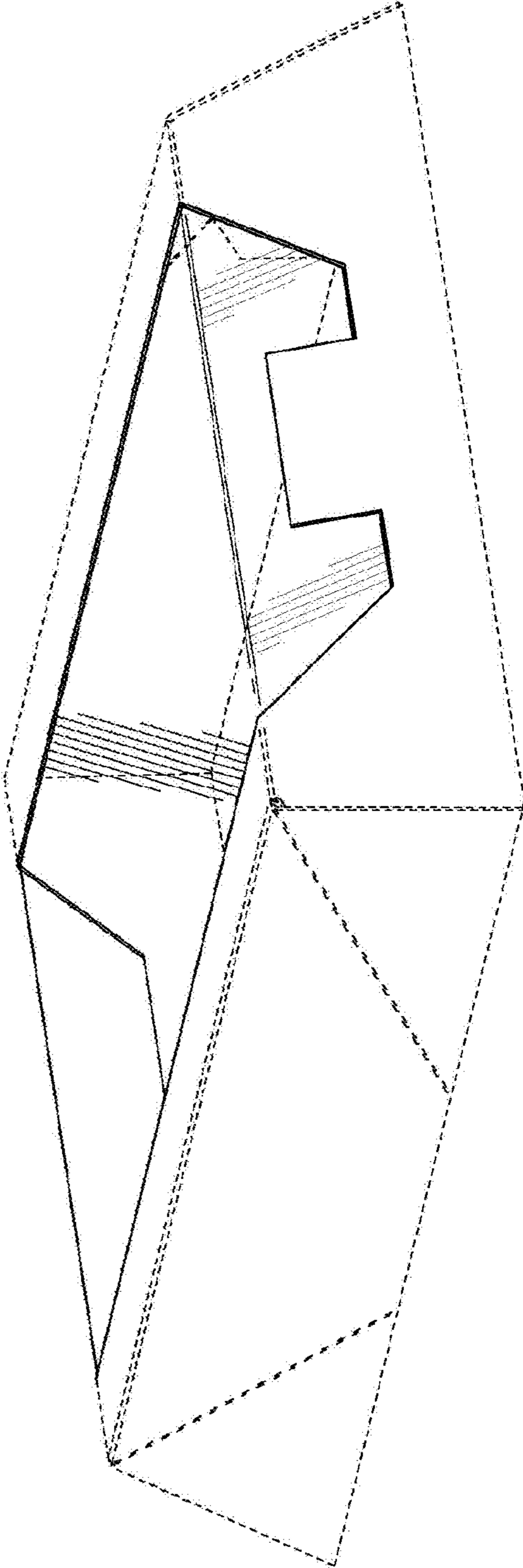


FIG. 11

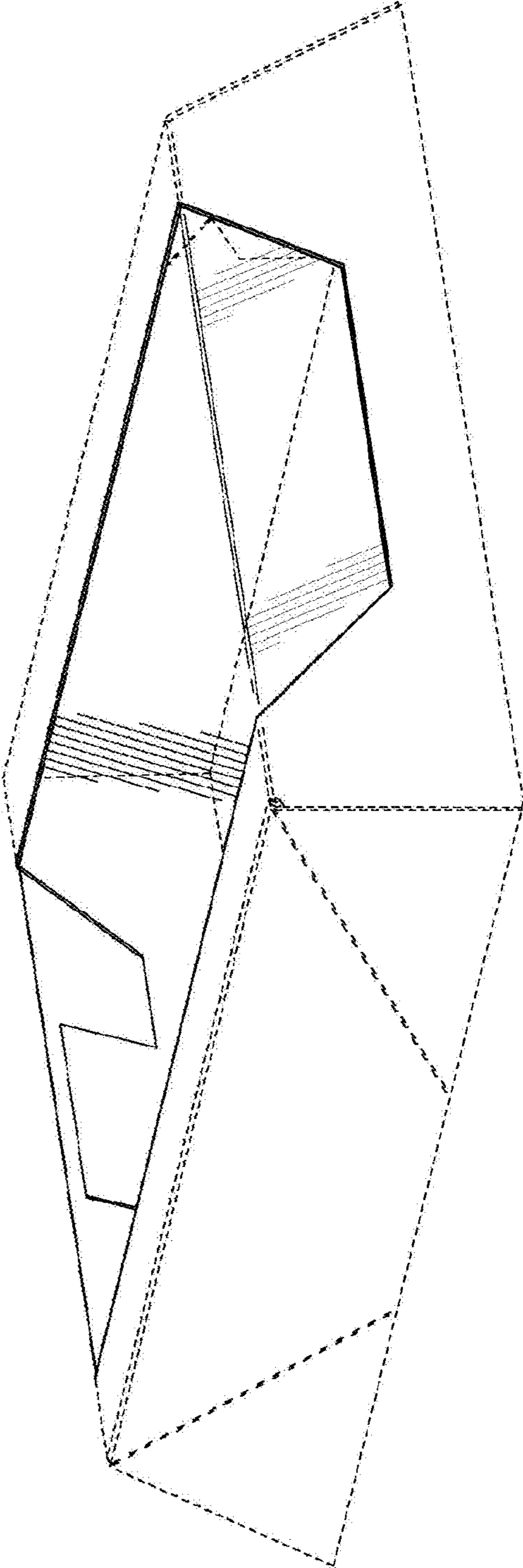


FIG. 12

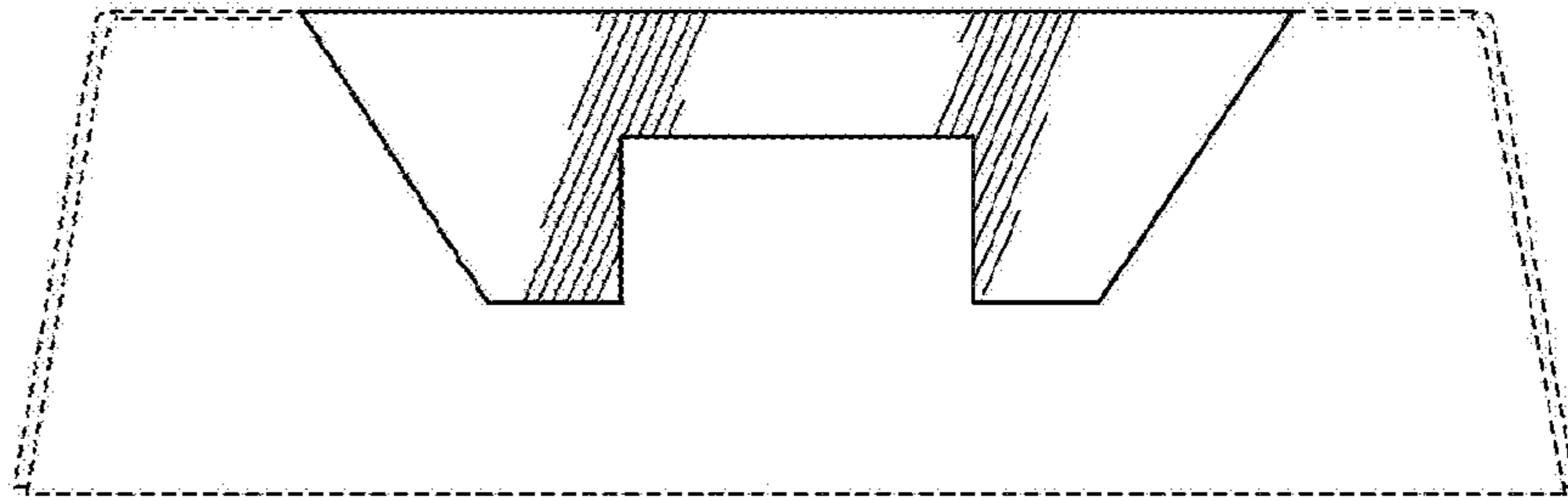


FIG. 13

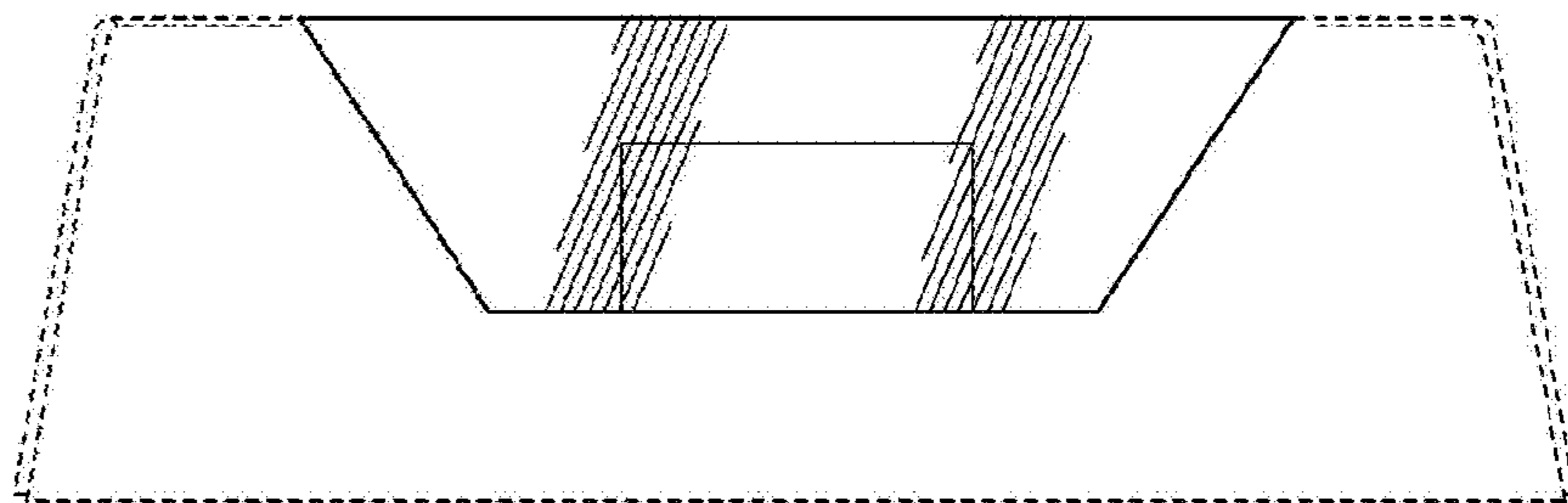


FIG. 14

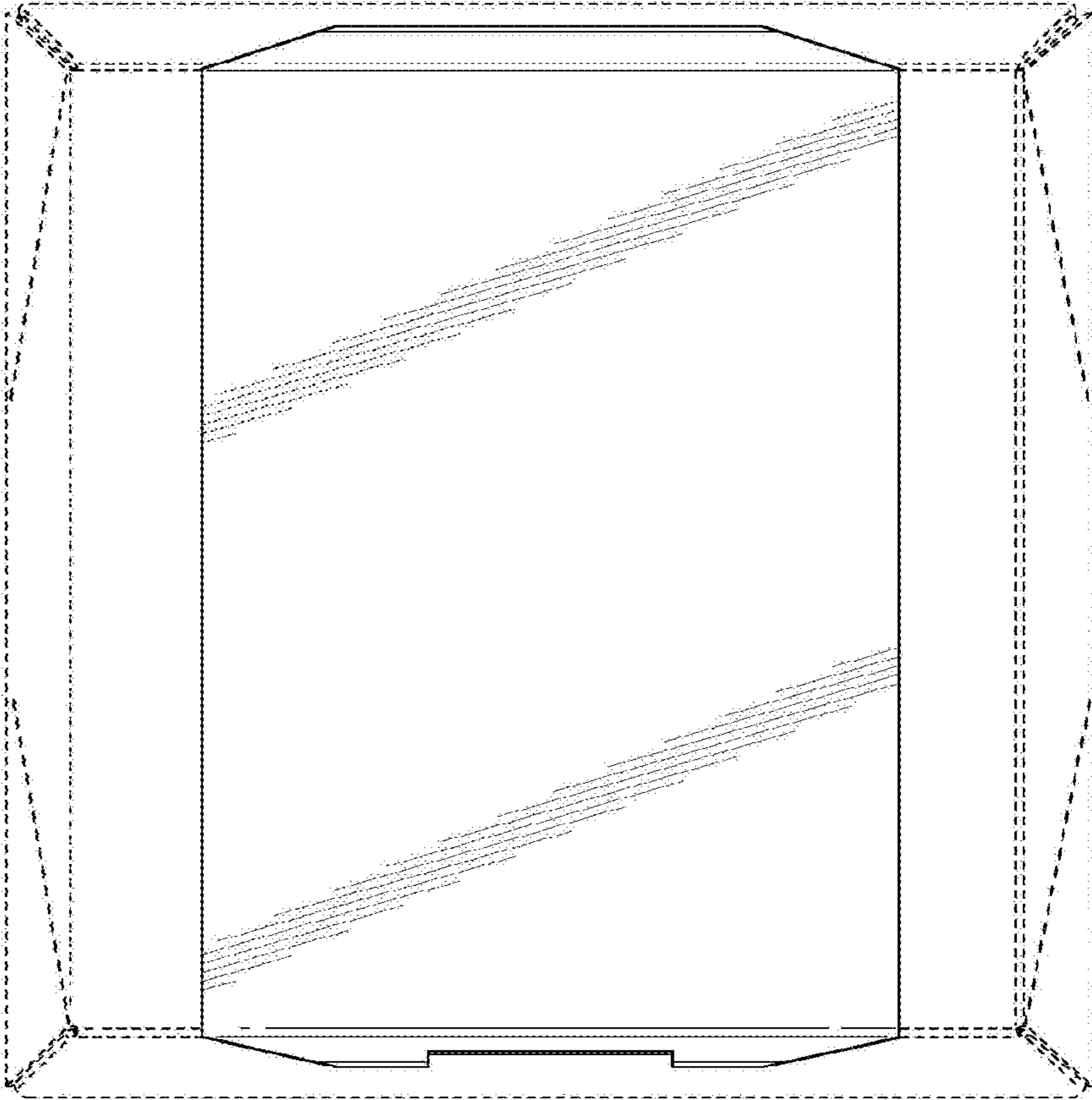


FIG. 15

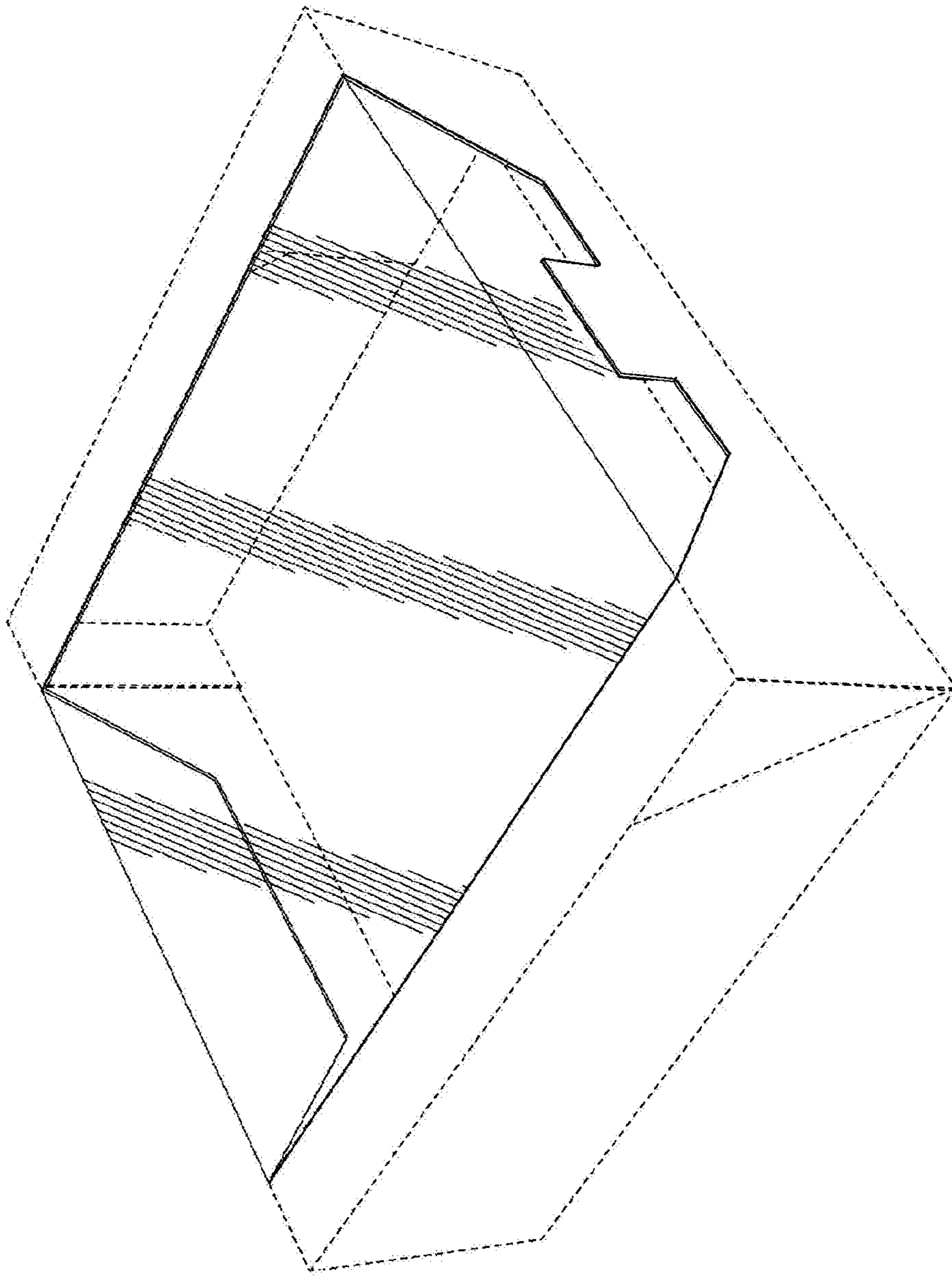


FIG. 16



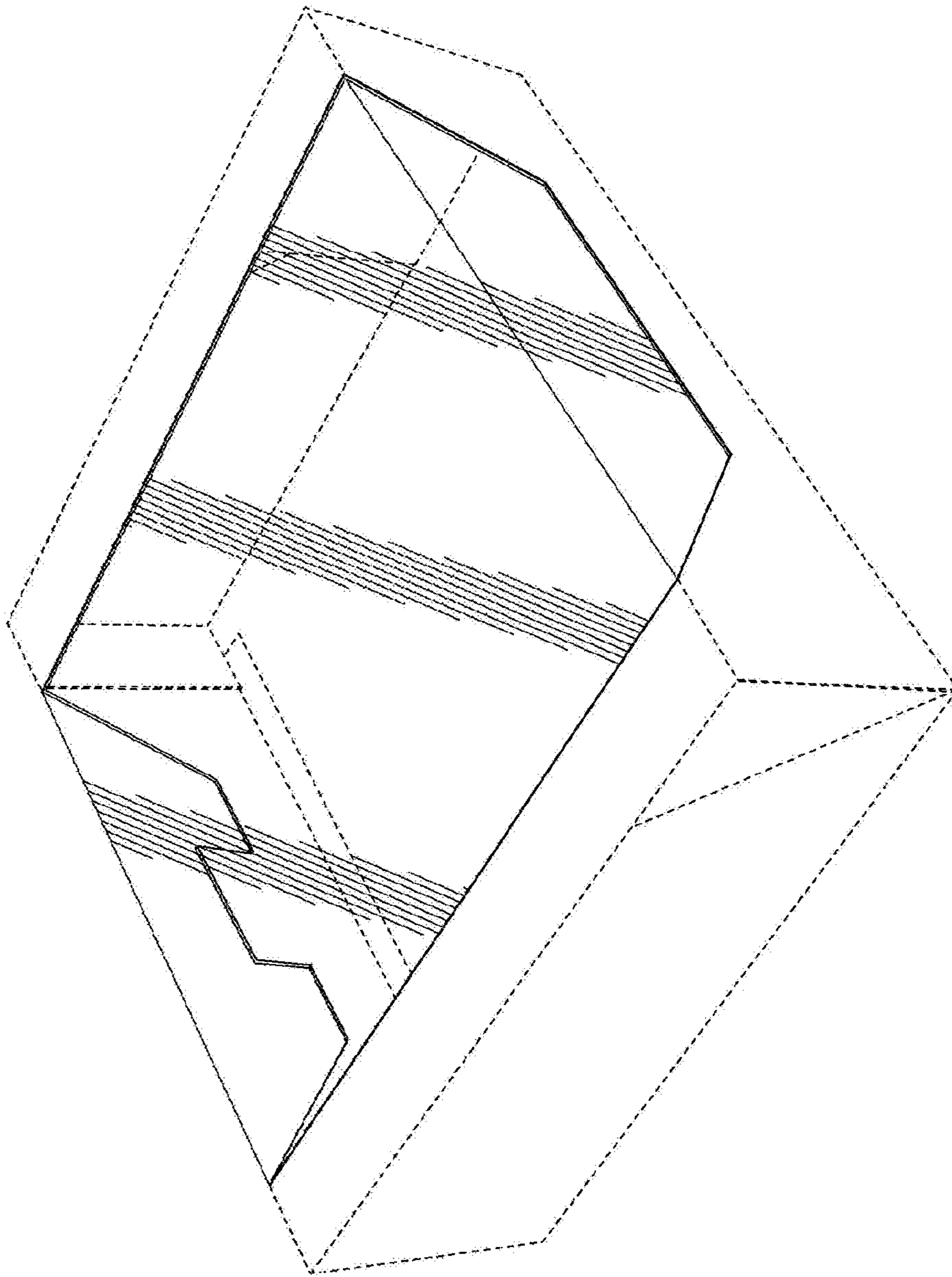


FIG. 17

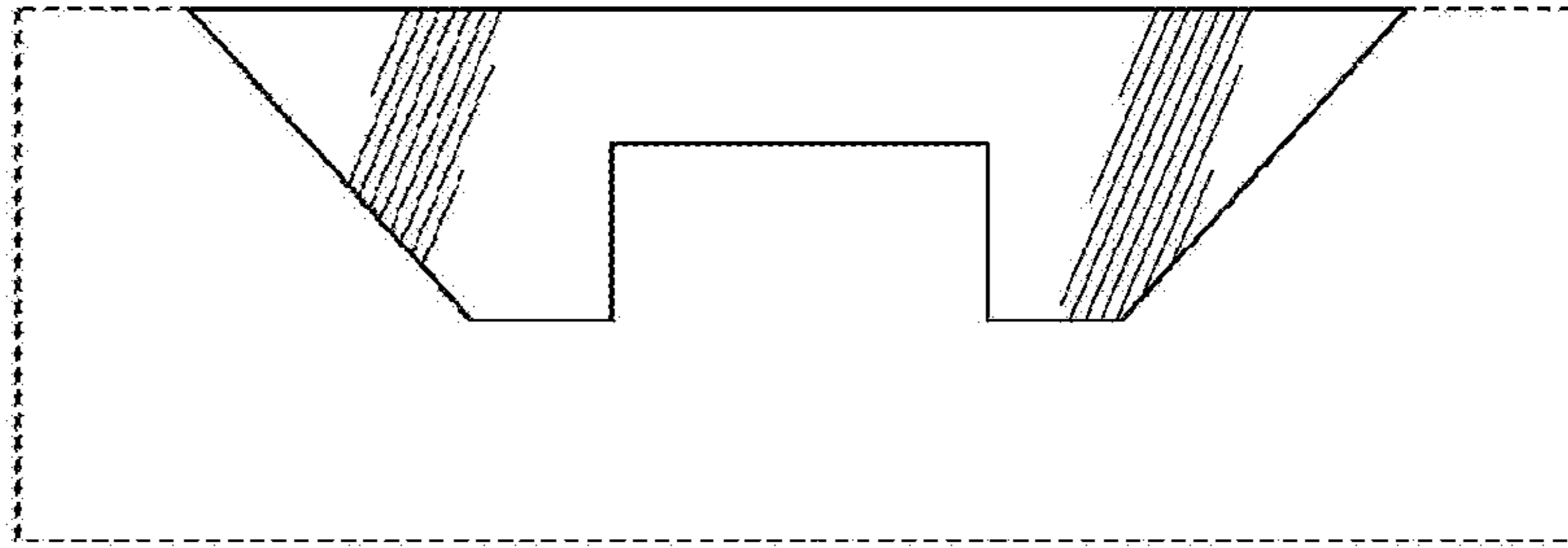


FIG. 18

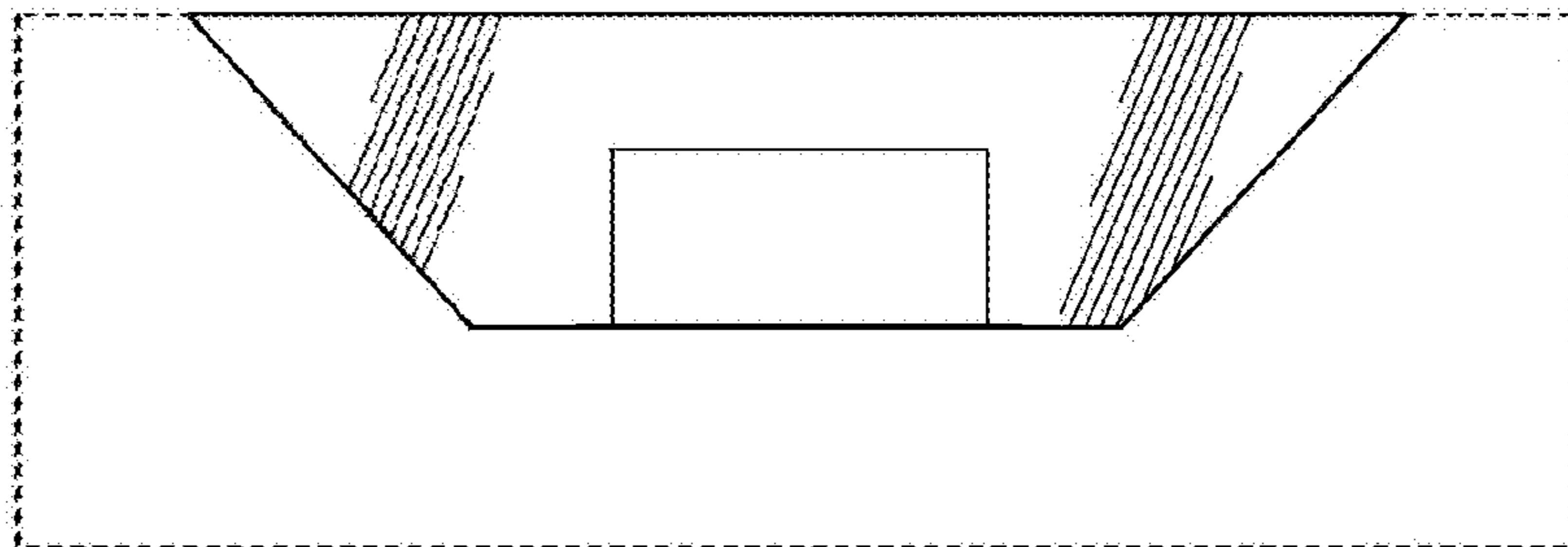


FIG. 19

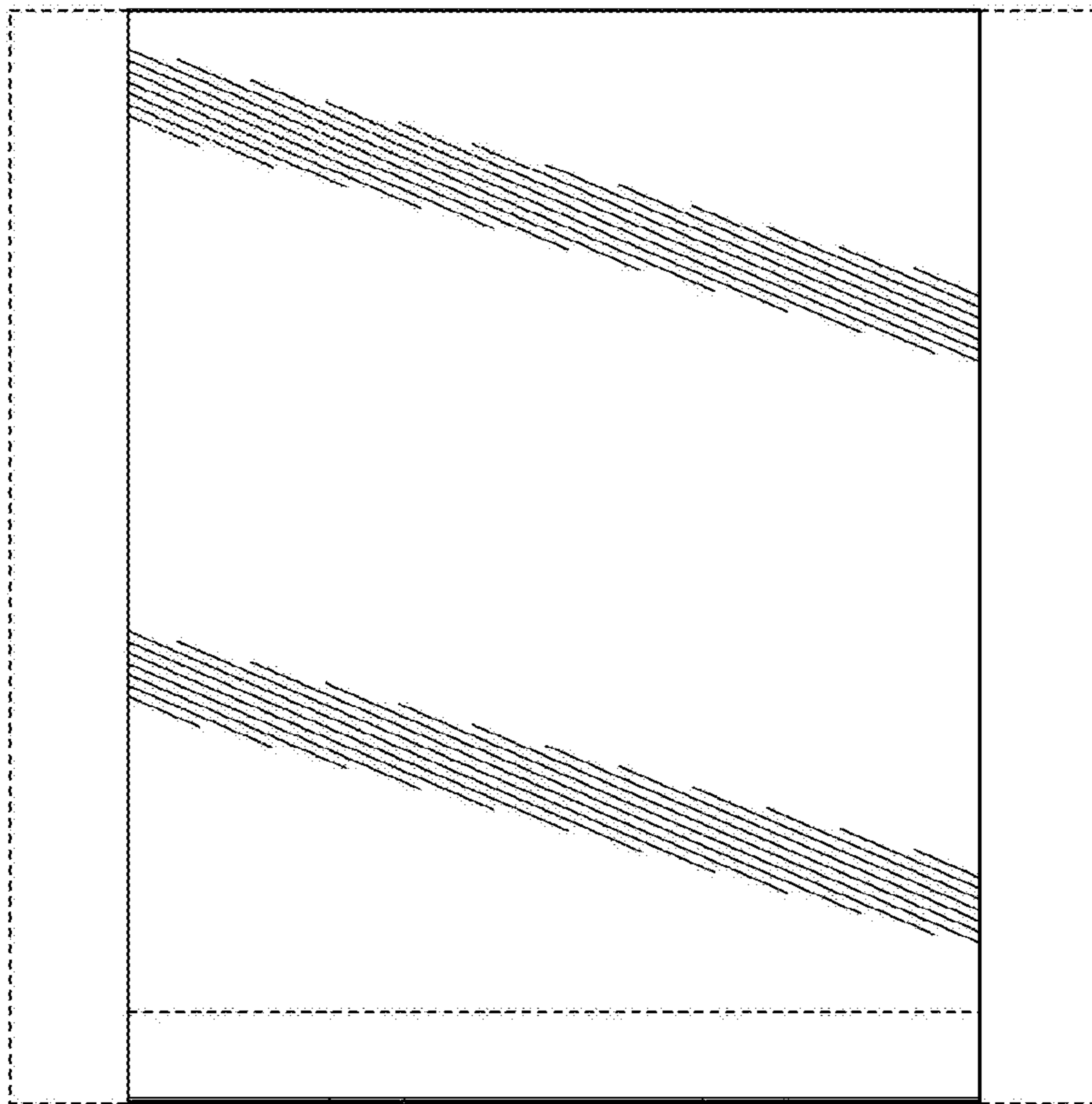


FIG. 20