

US00D904871S

(12) **United States Design Patent**
Sill et al.

(10) **Patent No.: US D904,871 S**
(45) **Date of Patent: ** Dec. 15, 2020**

(54) **CLOSEABLE CARTON**

OTHER PUBLICATIONS

(71) Applicant: **Inno-Pak, LLC**, Delaware, OH (US)

Notice of Allowance dated Apr. 18, 2016 from U.S. Appl. No. 29/527,085.

(72) Inventors: **Jonathan D. Sill**, Delaware, OH (US);
Steven A. Mayer, Indianapolis, IN (US)

(Continued)

Primary Examiner — Rhea Shields

(73) Assignee: **Inno-Pak, LLC**, Delaware, OH (US)

(74) *Attorney, Agent, or Firm* — Forrest Firm, P.C.

(**) Term: **15 Years**

(57) **CLAIM**

(21) Appl. No.: **29/633,127**

The ornamental design for a closeable carton, as shown and described.

(22) Filed: **Jan. 12, 2018**

Related U.S. Application Data

DESCRIPTION

(60) Continuation-in-part of application No. 29/573,421, filed on Aug. 5, 2016, now abandoned, which is a division of application No. 29/539,525, filed on Sep. 15, 2015, now Pat. No. Des. 774,893, which is a continuation of application No. 29/527,085, filed on May 15, 2015, now Pat. No. Des. 762,113, said application No. 29/633,127 is a continuation-in-part
(Continued)

FIG. 1 is a perspective view of a first embodiment of the closeable carton, showing our new design;
FIG. 2 is a rear perspective view thereof;
FIG. 3 is a top plan view thereof;
FIG. 4 is a perspective view of a second embodiment of the closeable carton, showing our new design;
FIG. 5 is a rear perspective view thereof;
FIG. 6 is a front elevation view thereof;
FIG. 7 is a rear elevation view thereof;
FIG. 8 is a top plan view thereof;
FIG. 9 is a perspective view of a third embodiment of the closeable carton, showing our new design;
FIG. 10 is a rear perspective view thereof;
FIG. 11 is a top plan view thereof;
FIG. 12 is a perspective view of a fourth embodiment of the closeable carton, showing our new design;
FIG. 13 is a rear perspective view thereof;
FIG. 14 is a front elevation view thereof;
FIG. 15 is a rear elevation view thereof; and,
FIG. 16 is a top plan view thereof.

(51) **LOC (12) Cl.** **09-03**

(52) **U.S. Cl.**
USPC **D9/418**

(58) **Field of Classification Search**
USPC D9/414–419, 447, 715, 737, 721; D7/91, D7/505; D3/215; D10/64; D23/366; D6/515; D11/143; D19/59
CPC .. B65D 5/4204; B65D 5/4266; B65D 5/4208; B65D 85/36
See application file for complete search history.

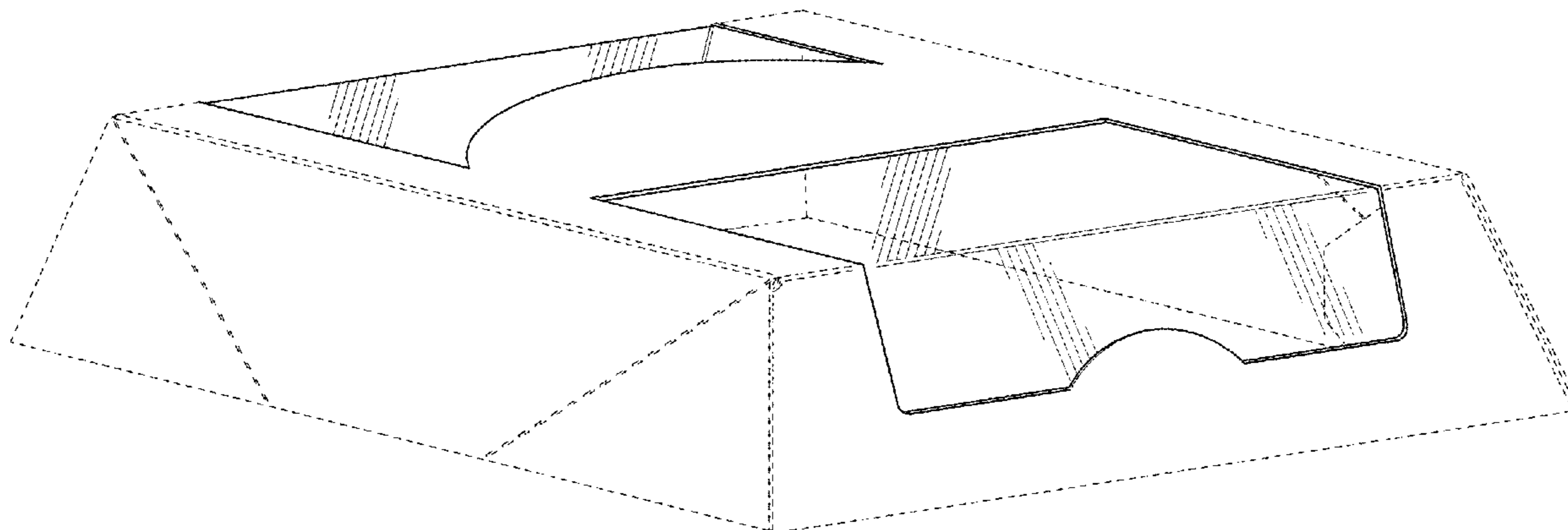
In the drawings, the broken lines are for the purpose of illustrating portions of the closeable carton that form no part of the claimed design.

(56) **References Cited**

U.S. PATENT DOCUMENTS

D259,253 S 5/1981 Nelson
D262,945 S 2/1982 Lytra
(Continued)

1 Claim, 14 Drawing Sheets



Related U.S. Application Data

of application No. 29/573,599, filed on Aug. 8, 2016, now abandoned, which is a division of application No. 29/545,302, filed on Nov. 11, 2015, now Pat. No. Des. 774,896, which is a continuation-in-part of application No. 29/527,085, filed on May 15, 2015, now Pat. No. Des. 762,113, said application No. 29/633,127 is a continuation-in-part of application No. 29/604,589, filed on May 18, 2017, now Pat. No. Des. 816,480, which is a division of application No. 29/573,472, filed on Aug. 5, 2016, now Pat. No. Des. 787,314, which is a division of application No. 29/545,297, filed on Nov. 11, 2015, now Pat. No. Des. 786,663, which is a continuation-in-part of application No. 29/516,707, filed on Feb. 5, 2015, now Pat. No. Des. 774,891, application No. 29/633,127, which is a continuation of application No. 29/615,117, filed on Aug. 25, 2017, now Pat. No. Des. 846,378, which is a division of application No. 29/566,225, filed on May 27, 2016, now Pat. No. Des. 800,546, application No. 29/633,127, which is a continuation of application No. 29/615,115, filed on Aug. 25, 2017, now Pat. No. Des. 846,981, which is a division of application No. 29/567,061, filed on Jun. 6, 2016, now Pat. No. Des. 799,955, application No. 29/633,127, which is a continuation of application No. 29/615,120, filed on Aug. 25, 2017, now Pat. No. Des. 879,603, which is a division of application No. 29/573,602, filed on Aug. 8, 2016, now Pat. No. Des. 799,317, which is a division of application No. 29/545,314, filed on Nov. 11, 2015, now Pat. No. Des. 776,522, application No. 29/633,127, which is a continuation of application No. 29/615,119, filed on Aug. 25, 2017, now Pat. No. Des. 847,626, which is a division of application No. 29/567,062, filed on Jun. 6, 2016, now Pat. No. Des. 800,548, application No. 29/633,127, which is a continuation of application No. 29/615,118, filed on Aug. 25, 2017, now Pat. No. Des. 846,379, which is a division of application No. 29/566,228, filed on May 27, 2016, now Pat. No. Des. 800,547, application No. 29/633,127, which is a continuation-in-part of application No. 29/605,390, filed on May 25, 2017, now Pat. No. Des. 816,481, which is a division of application No. 29/573,480, filed on Aug. 5, 2016, now Pat. No. Des. 787,929, which is a division of application No. 29/545,309, filed on Nov. 11, 2015, now Pat. No. Des. 774,898, which is a continuation of application No. 29/516,707, filed on Feb. 5, 2015, now Pat. No. Des. 774,891, application No. 29/633,127, which is a continuation-in-part of application No. 29/605,393, filed on May 25, 2017, now Pat. No. Des. 879,606, which is a division of application No. 29/573,833, filed on Aug. 10, 2016, now Pat. No. Des. 787,933, which is a division of application No. 29/545,308, filed on Nov. 11, 2015, now Pat. No. Des. 774,897, which is a continuation of application No. 29/527,085, filed on May 15, 2015, now Pat. No. Des. 762,113, application No. 29/633,127, which is a continuation-in-part of application No. 29/604,586, filed on May 18, 2017, now Pat. No. Des. 816,479, which is a division of application No. 29/573,600, filed on Aug. 8, 2016, now Pat. No. Des. 787,316, which is a division of application No. 29/545,304, filed on Nov. 11, 2015, now Pat. No. Des. 787,313, which is a continuation of application No. 29/527,085, filed on May 15, 2015, now Pat. No. Des. 762,113.

(56)

References Cited

U.S. PATENT DOCUMENTS

D263,796	S	*	4/1982	Fireman	D9/418
D265,551	S	*	7/1982	Colby	D9/415
D271,283	S	*	11/1983	Taylor	D9/415
D271,664	S	*	12/1983	Cowan, Jr.	D9/418
D274,407	S	*	6/1984	Rosenburg, Jr.	D9/418
D279,355	S	*	6/1985	Ujiie	D9/414
D291,065	S		7/1987	Pugh		
D295,958	S		5/1988	Pugh		
D295,959	S	*	5/1988	Pugh	D9/737
D300,906	S	*	5/1989	Caldwell	D9/418
D302,948	S	*	8/1989	Blum	D9/715
D304,907	S	*	12/1989	Tamsen	D9/418
D305,204	S	*	12/1989	Reifein	D9/761
4,911,298	A		3/1990	Miyagawa		
D308,941	S	*	7/1990	Kong	D7/505
D309,262	S		7/1990	Coiner		
D309,753	S	*	8/1990	Kagelmann-Holtz	D19/59
D326,225	S	*	5/1992	Beckerman	D9/416
5,114,002	A		5/1992	Warner		
D332,347	S		1/1993	Raadt et al.		
D332,744	S		1/1993	McCooley		
D333,781	S		3/1993	Kobel		
D335,820	S	*	5/1993	Detert	D9/761
D337,047	S	*	7/1993	Pearce	D9/415
D351,554	S	*	10/1994	Kim	D9/415
D362,405	S	*	9/1995	Dallimore	D11/143
D365,755	S		1/1996	Kanfer et al.		
5,505,372	A		4/1996	Edson		
D371,070	S	*	6/1996	Brier	D9/415
D371,959	S	*	7/1996	Hupp	D9/418
D372,401	S		8/1996	Lillelund et al.		
D378,126	S	*	2/1997	Williams	D23/366
D380,964	S	*	7/1997	Miller	D9/415
D383,669	S	*	9/1997	Taylor	D9/669
D386,079	S	*	11/1997	Harper	D9/418
D387,979	S	*	12/1997	Dolan	D9/415
D389,739	S	*	1/1998	Auclair	D9/418
D401,147	S		11/1998	Miller		
D403,576	S	*	1/1999	Weiss	D9/447
D406,754	S	*	3/1999	Tanabe	D9/415
D415,960	S		11/1999	Majdanski et al.		
5,992,733	A		11/1999	Gomes		
D425,702	S	*	5/2000	Baich	D10/64
D429,462	S	*	8/2000	Kumakura	D9/415
D429,635	S	*	8/2000	Ito	D9/415
D430,017	S	*	8/2000	Ito	D9/415
D430,396	S	*	9/2000	Biesecker	D3/215
D433,260	S	*	11/2000	Shimbo	D6/515
D440,491	S		4/2001	Stacy-Ryan		
D442,859	S	*	5/2001	Hirschey	D9/418
6,227,367	B1		5/2001	Harrelson		
D443,204	S	*	6/2001	Garrant	D9/415
D464,878	S		10/2002	Thompson		
D469,349	S		1/2003	Meeker et al.		
D469,692	S		2/2003	Meeker et al.		
D485,172	S		1/2004	Defino		
D518,371	S		4/2006	Franic		
D519,366	S		4/2006	Epstein		
D527,629	S		9/2006	Franic		
D536,245	S		2/2007	Bruun		
D536,612	S		2/2007	Geurts et al.		
D540,164	S		4/2007	Franic		
D556,599	S	*	12/2007	Keener	D9/721
D570,683	S		6/2008	Kortsmit et al.		
D578,883	S		10/2008	Kisch		
D580,751	S		11/2008	Blick		
7,444,956	B2		11/2008	Vadis		
D582,791	S		12/2008	Elmerhaus		
D587,998	S		3/2009	Kaisanlahti		
D593,211	S		5/2009	Dewitt		
D595,104	S		6/2009	Goodrich		
D596,027	S		7/2009	Kalberer		
D601,016	S		9/2009	Kalberer		
D602,353	S		10/2009	Anderson et al.		
D605,506	S		12/2009	Franic		

US D904,871 S

D607,987 S	1/2010	Paxton	D784,164 S *	4/2017	Toth	D6/515
D616,739 S	6/2010	Kalberer	D786,663 S	5/2017	Mayer	
D617,636 S	6/2010	Vanhoutte	D787,313 S	5/2017	Mayer	
D618,543 S	6/2010	Polaski	D787,314 S	5/2017	Sill	
7,780,004 B2	8/2010	Carlozzi	D787,315 S	5/2017	Sill	
D623,939 S	9/2010	Tearle	D787,316 S	5/2017	Sill	
D624,405 S	9/2010	Franic	D787,929 S	5/2017	Sill	
D626,831 S	11/2010	Nicholas	D787,933 S	5/2017	Sill	
D629,294 S	12/2010	Chinnis	D789,783 S	6/2017	DeBusk	
D629,295 S	12/2010	Franic	D795,696 S	8/2017	Pitera et al.	
D636,662 S	4/2011	Ignacio et al.	D799,317 S	10/2017	Sill	
D637,078 S	5/2011	Peng	D799,955 S	10/2017	Sill	
D637,488 S	5/2011	Franic	D800,546 S	10/2017	Sill	
D638,702 S	5/2011	Lowery	D800,547 S	10/2017	Sill	
D644,099 S	8/2011	Martinez Rodriguez	D800,548 S	10/2017	Sill	
D644,508 S	9/2011	Martinez Rodriguez	D804,298 S	12/2017	Demmink	
D646,964 S	10/2011	Ampadu	D809,917 S	2/2018	Wieser	
D647,398 S	10/2011	Winkler	D816,479 S *	5/2018	Sill	D9/418
D649,067 S	11/2011	Birdwell et al.	D816,480 S	5/2018	Sill	
D649,451 S	11/2011	Franic	D816,481 S	5/2018	Sill	
D649,886 S	12/2011	Ocampo	D820,688 S	6/2018	Fath	
D651,074 S	12/2011	Lacey	D822,283 S	7/2018	Gaito	
D655,153 S	3/2012	Mitten	D822,480 S	7/2018	Rivera	
D668,540 S	10/2012	Lutzig	D829,095 S	9/2018	McKenna	
D675,092 S	1/2013	Sill	D839,725 S	2/2019	Ralston et al.	
8,356,743 B2	1/2013	Spivey, Sr.	D840,219 S	2/2019	McKenna	
D675,920 S	2/2013	Sill	D840,807 S	2/2019	Ross	
8,376,214 B2	2/2013	Spivey, Sr.	D842,098 S	3/2019	Ross	
D678,779 S	3/2013	Lee	D844,430 S	4/2019	Dammers et al.	
D679,950 S	4/2013	Cooper	D846,378 S	4/2019	Sill et al.	
D681,444 S	5/2013	Oja et al.	D846,379 S	4/2019	Sill et al.	
D685,633 S	7/2013	Thomas	D846,981 S	4/2019	Sill et al.	
D688,568 S	8/2013	Noel	D846,982 S	4/2019	Horne	
D693,215 S	11/2013	Sill	D847,454 S	4/2019	Mathia	
D693,216 S	11/2013	Sill	D847,626 S	5/2019	Sill et al.	
D693,217 S	11/2013	Sill	D852,032 S	6/2019	Horne	
D693,218 S	11/2013	Sill	D854,925 S	7/2019	Fath	
D695,104 S	12/2013	Sill	D856,131 S	8/2019	Hon	
D696,725 S	12/2013	Sasken-Duff et al.	D856,794 S	8/2019	Sill et al.	
8,607,987 B2	12/2013	Oja et al.	D856,795 S	8/2019	Sill et al.	
D699,103 S	2/2014	Rathbone et al.	D856,796 S	8/2019	Sill et al.	
D706,132 S	6/2014	Sill	D856,797 S	8/2019	Sill et al.	
D708,511 S	7/2014	Green	D865,517 S	11/2019	Gressel et al.	
D710,713 S	8/2014	Fath	D866,314 S	11/2019	Marotti	
D712,275 S	9/2014	Irek	D867,125 S	11/2019	Sill et al.	
D713,716 S	9/2014	Oja et al.	D879,603 S	3/2020	Sill et al.	
D716,649 S	11/2014	McAdam	D879,604 S *	3/2020	Sill	D9/418
D717,162 S	11/2014	Baker	D880,999 S	4/2020	Sill et al.	
D717,163 S	11/2014	Paulsen	D881,000 S *	4/2020	Sill	D9/418
D717,645 S	11/2014	Wilmers	D881,001 S *	4/2020	Sill	D9/418
D719,440 S	12/2014	Matloff	D881,002 S *	4/2020	Sill	D9/418
D719,845 S	12/2014	Lee	2009/0236351 A1	9/2009	Chu et al.	
D722,869 S	2/2015	Himmelsbach et al.	2010/0059579 A1	3/2010	House	
D726,004 S	4/2015	Chiang	2013/0220873 A1	8/2013	Holley, Jr.	
D727,732 S	4/2015	Petty	2014/0103100 A1	4/2014	Falcon	
D728,357 S	5/2015	Pierce	2015/0344216 A1	12/2015	Petty et al.	
D729,055 S	5/2015	Lemnios et al.	2016/0009442 A1	1/2016	Block	
D729,058 S	5/2015	Ishikawa	2016/0362220 A1	12/2016	Keams	
D734,145 S	7/2015	Fath et al.	2017/0066586 A1	3/2017	Petty	
D739,228 S	9/2015	Jondal et al.	2018/0009585 A1	1/2018	Ramsuer	
D740,654 S	10/2015	Boehnen et al.	2018/0022500 A1	1/2018	Zhu	
D743,248 S	11/2015	Fath et al.	2018/0118403 A1	5/2018	Petty	
D746,673 S	1/2016	Sanfilippo	2018/0127141 A1	5/2018	Brundage	
D746,699 S	1/2016	Fath	2018/0141734 A1	5/2018	Kooc	
D746,700 S	1/2016	Boehnen et al.	2018/0297761 A1	10/2018	Alexander	
D753,919 S	4/2016	Parker	2018/0319560 A1	11/2018	Blin	
D760,598 S	7/2016	White	2019/0009946 A1	1/2019	Nixon	
D762,113 S	7/2016	Mayer	2019/0016501 A1	1/2019	Djokovic	
D762,465 S	8/2016	Popper et al.	2019/0144157 A1	5/2019	Sill et al.	
D766,108 S	9/2016	Brown				
D774,891 S	12/2016	Mayer				
D774,893 S	12/2016	Mayer				
D774,895 S	12/2016	Mayer				
D774,896 S	12/2016	Mayer				
D774,897 S	12/2016	Mayer				
D774,898 S	12/2016	Mayer				
D776,522 S	1/2017	Mayer				

OTHER PUBLICATIONS

Office Action dated Feb. 1, 2016 from U.S. Appl. No. 29/516,707.

* cited by examiner

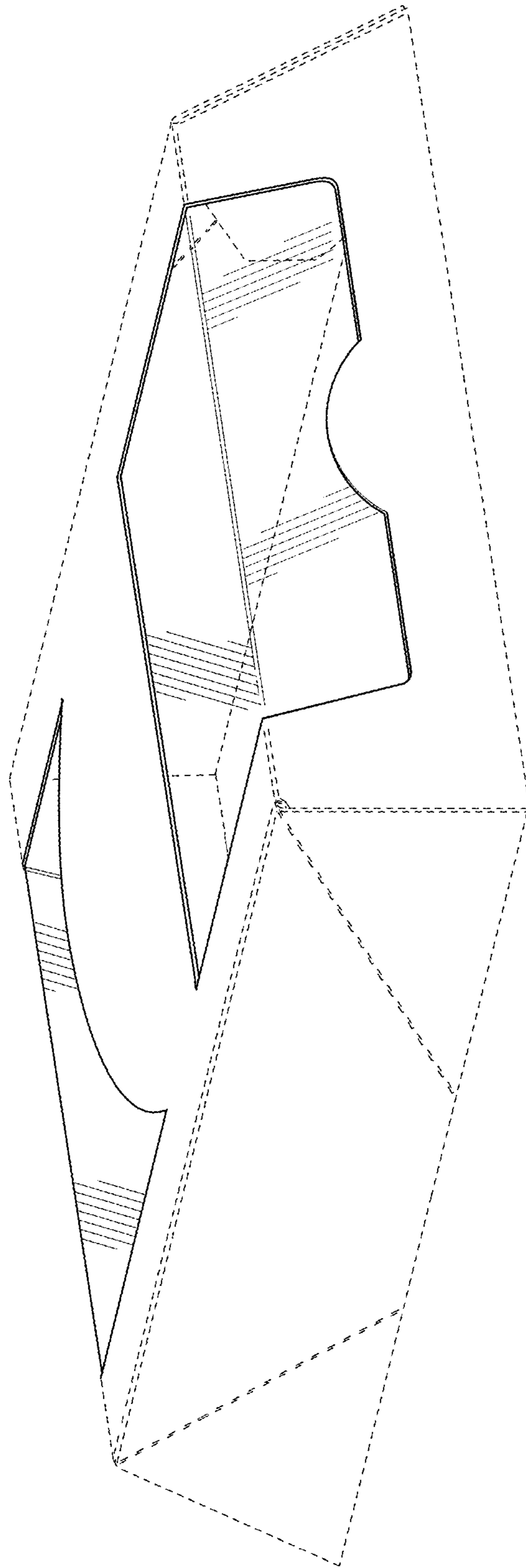


FIG. 1

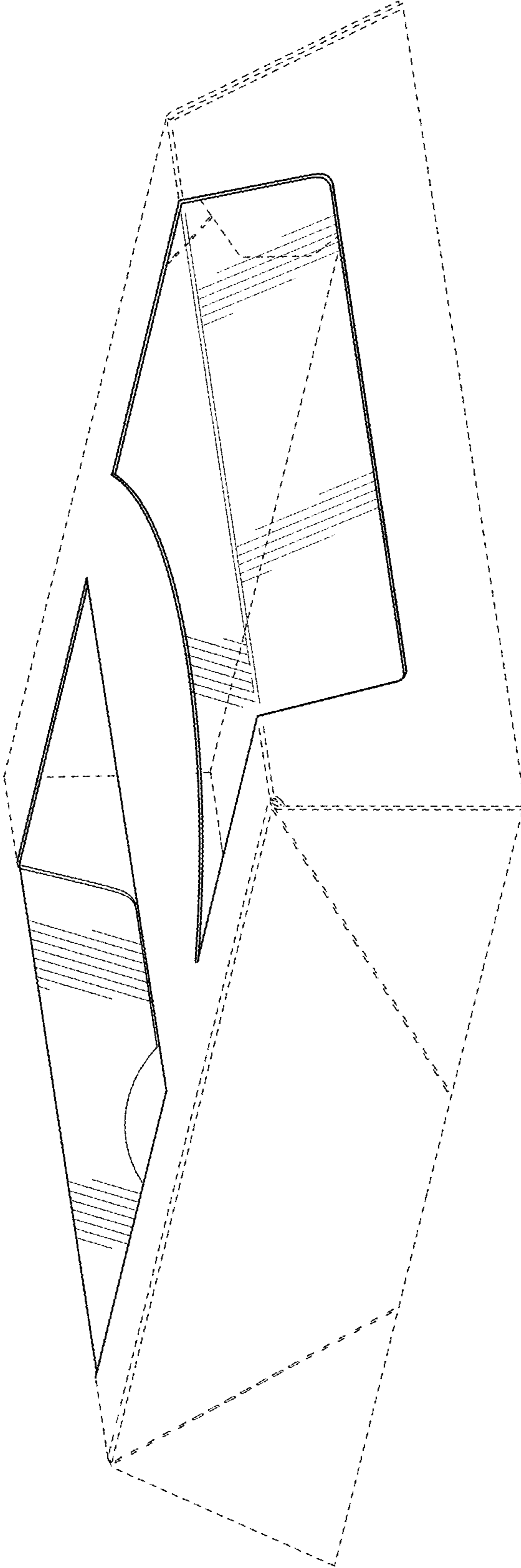


FIG. 2

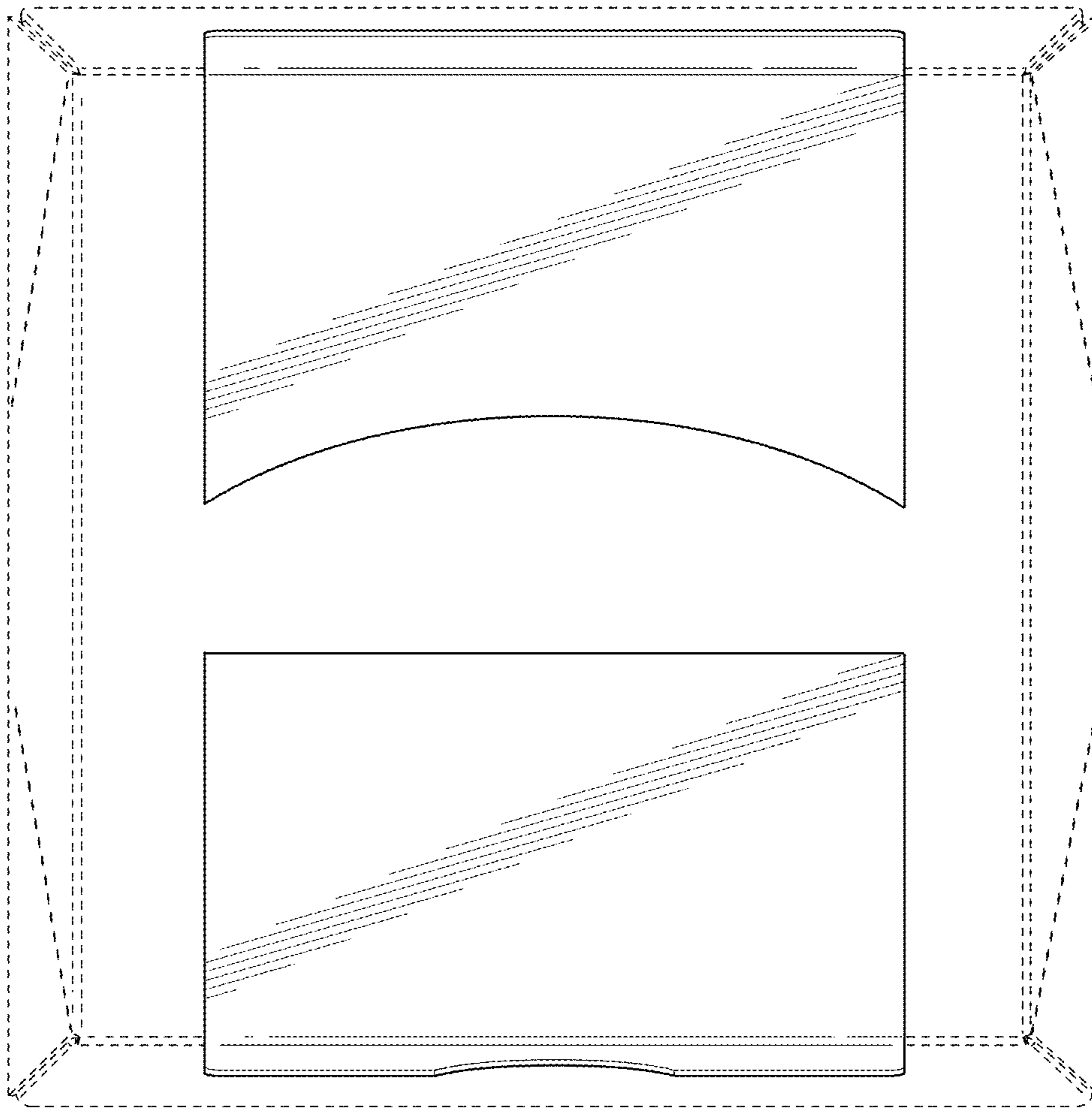


FIG. 3

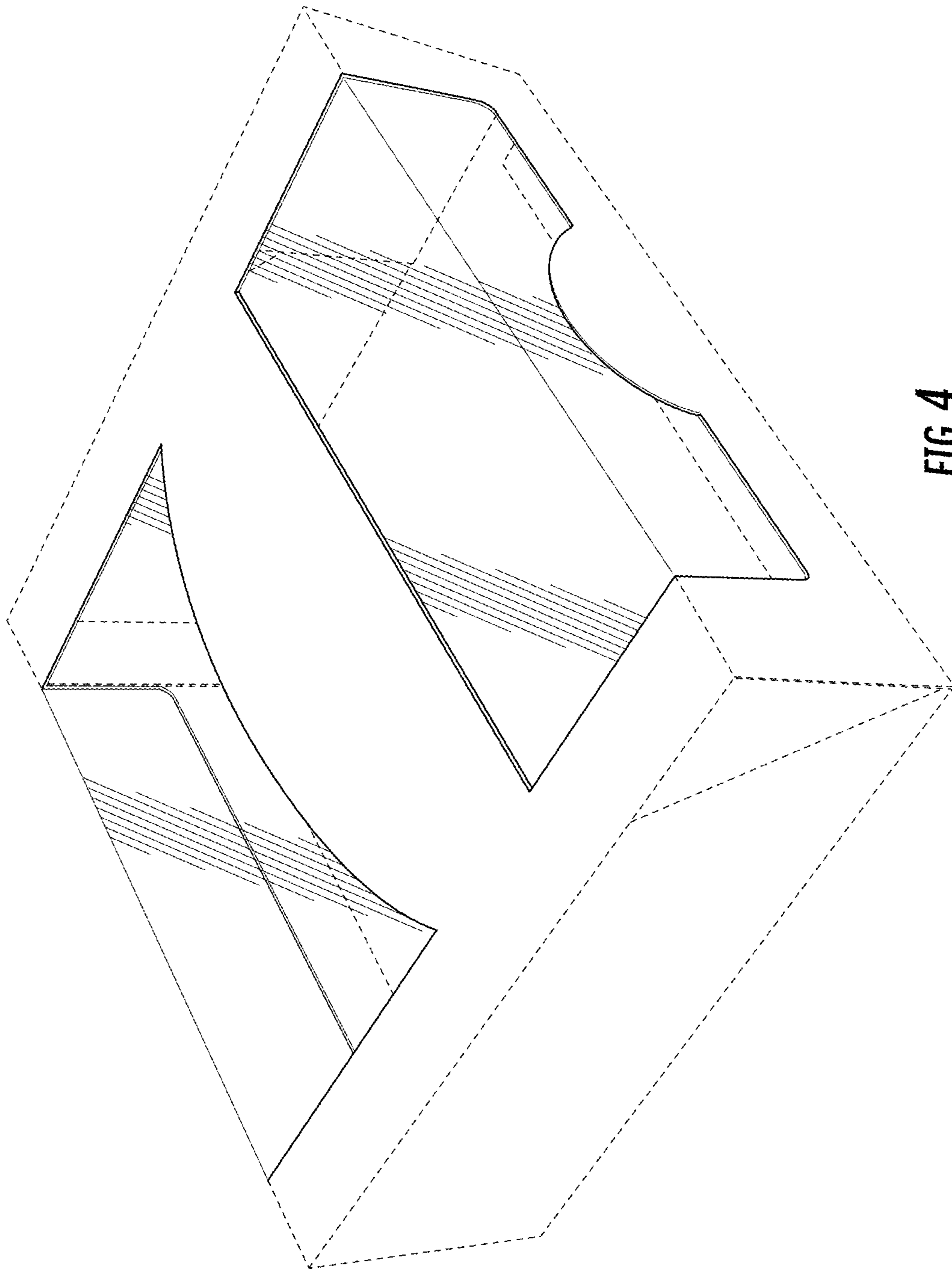


FIG. 4

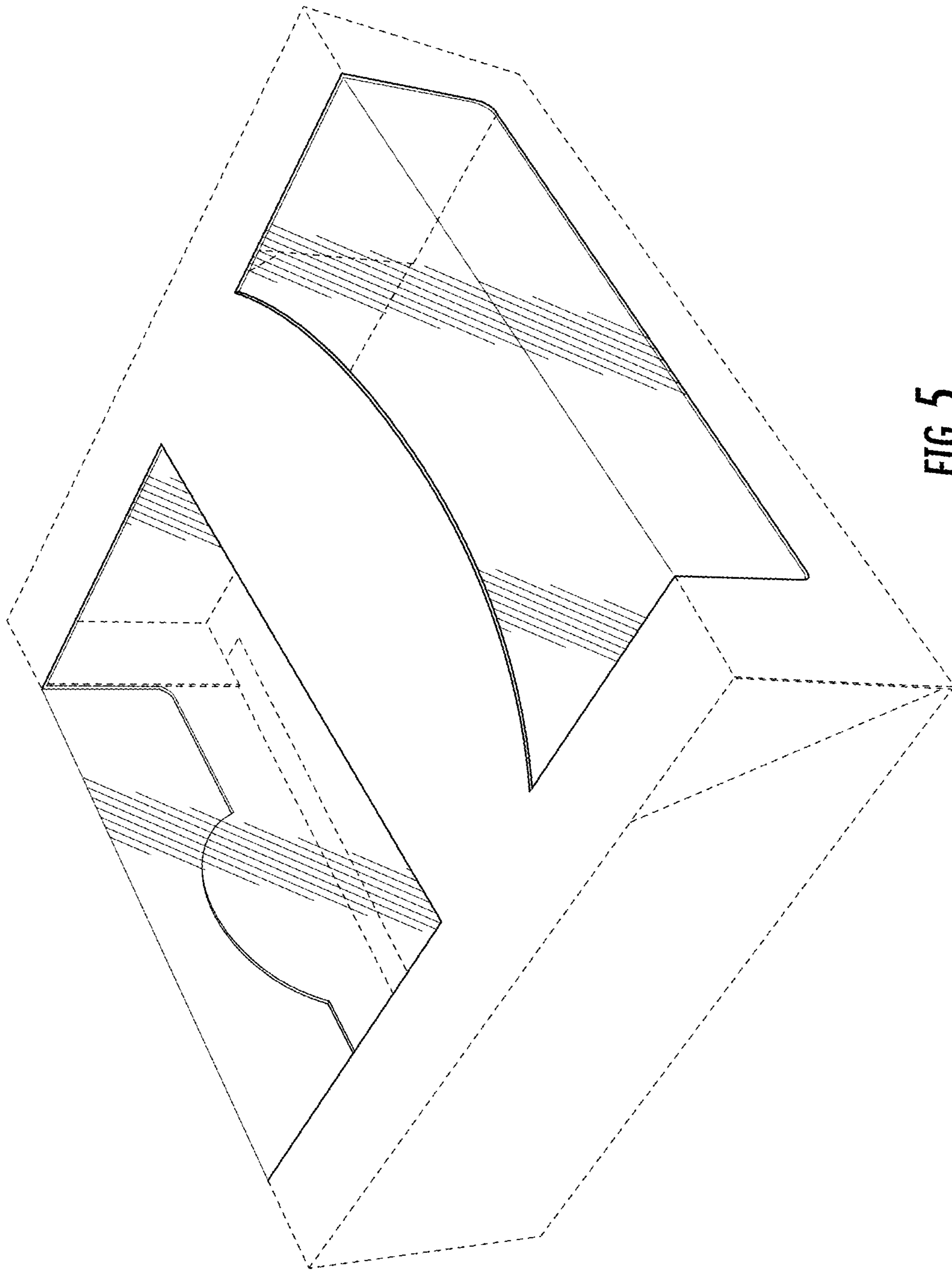


FIG. 5

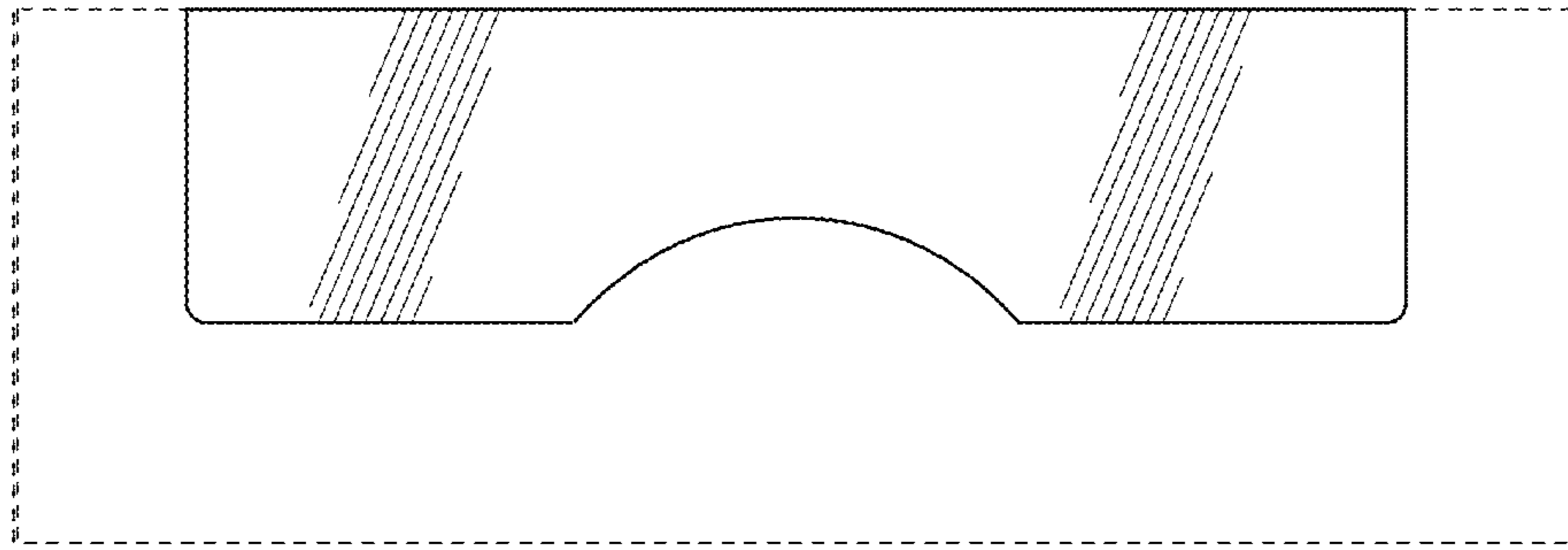


FIG. 6

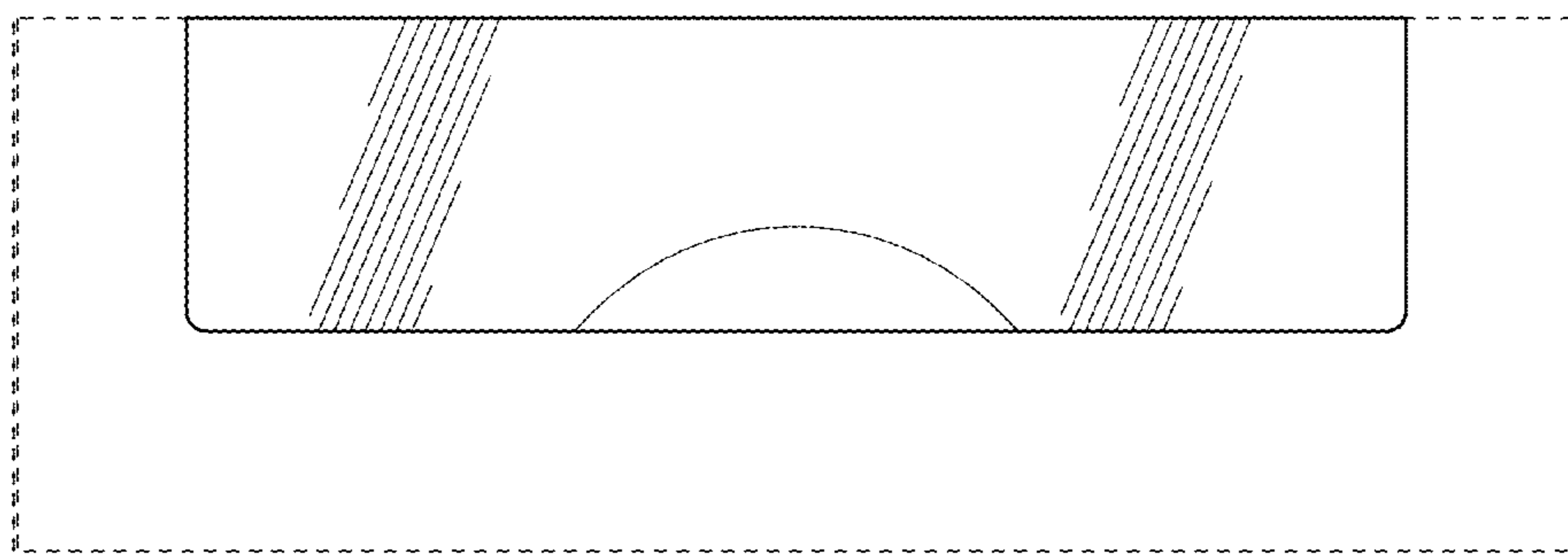


FIG. 7

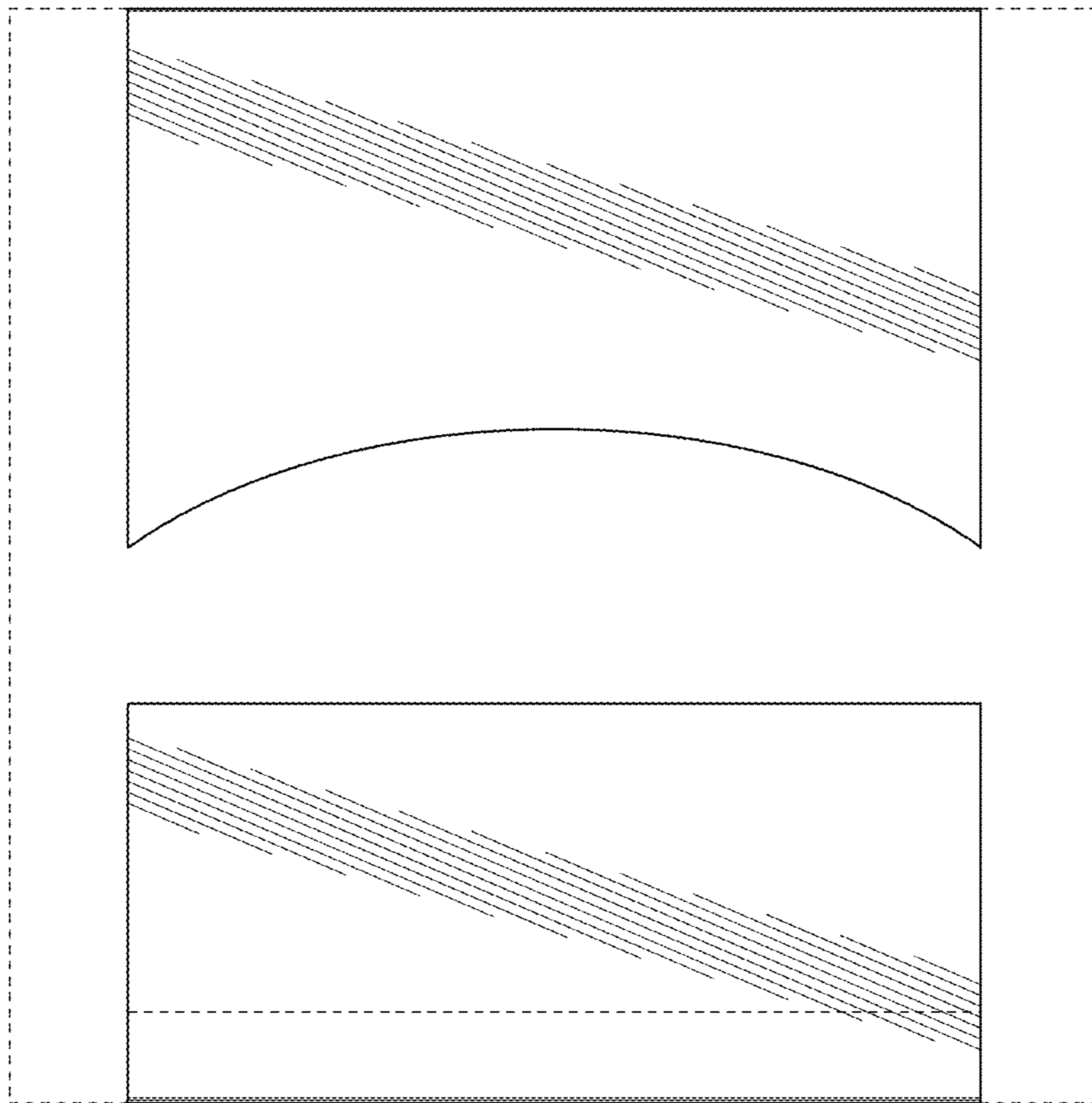


FIG. 8

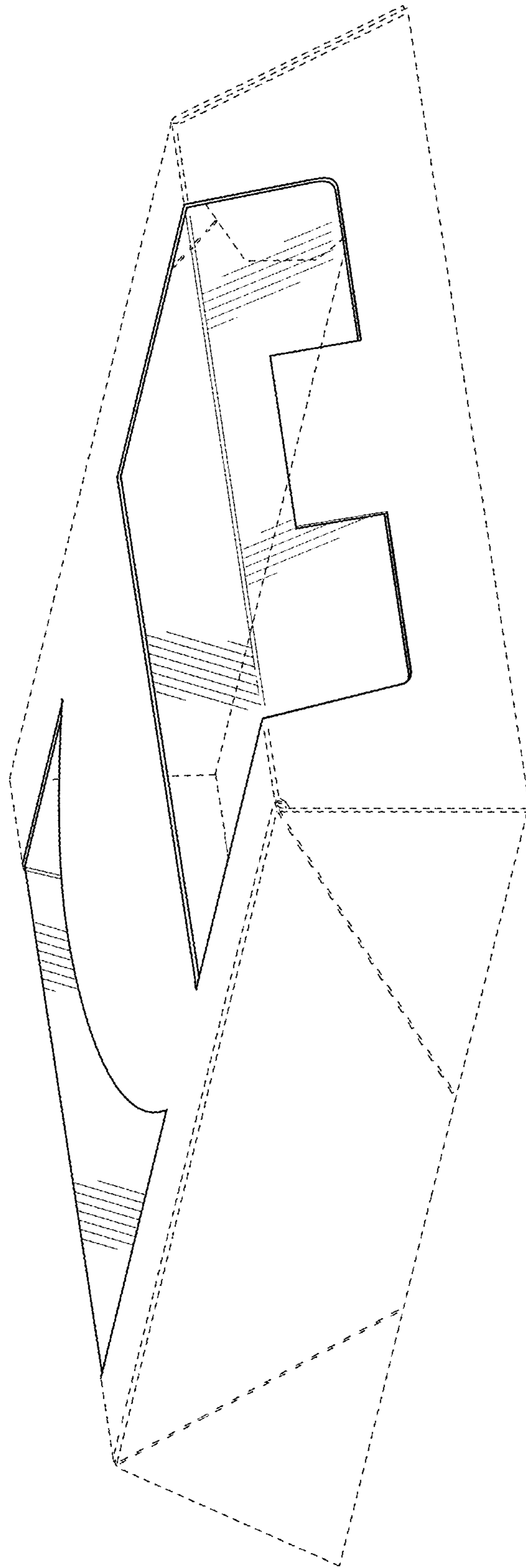


FIG. 9

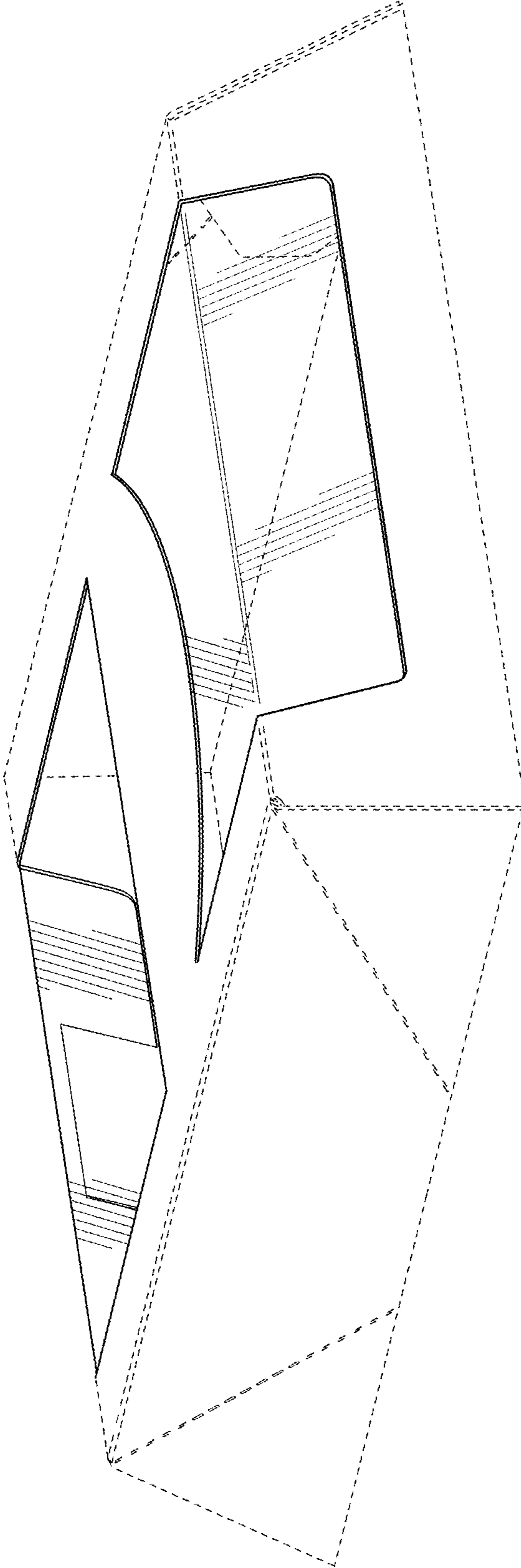


FIG. 10

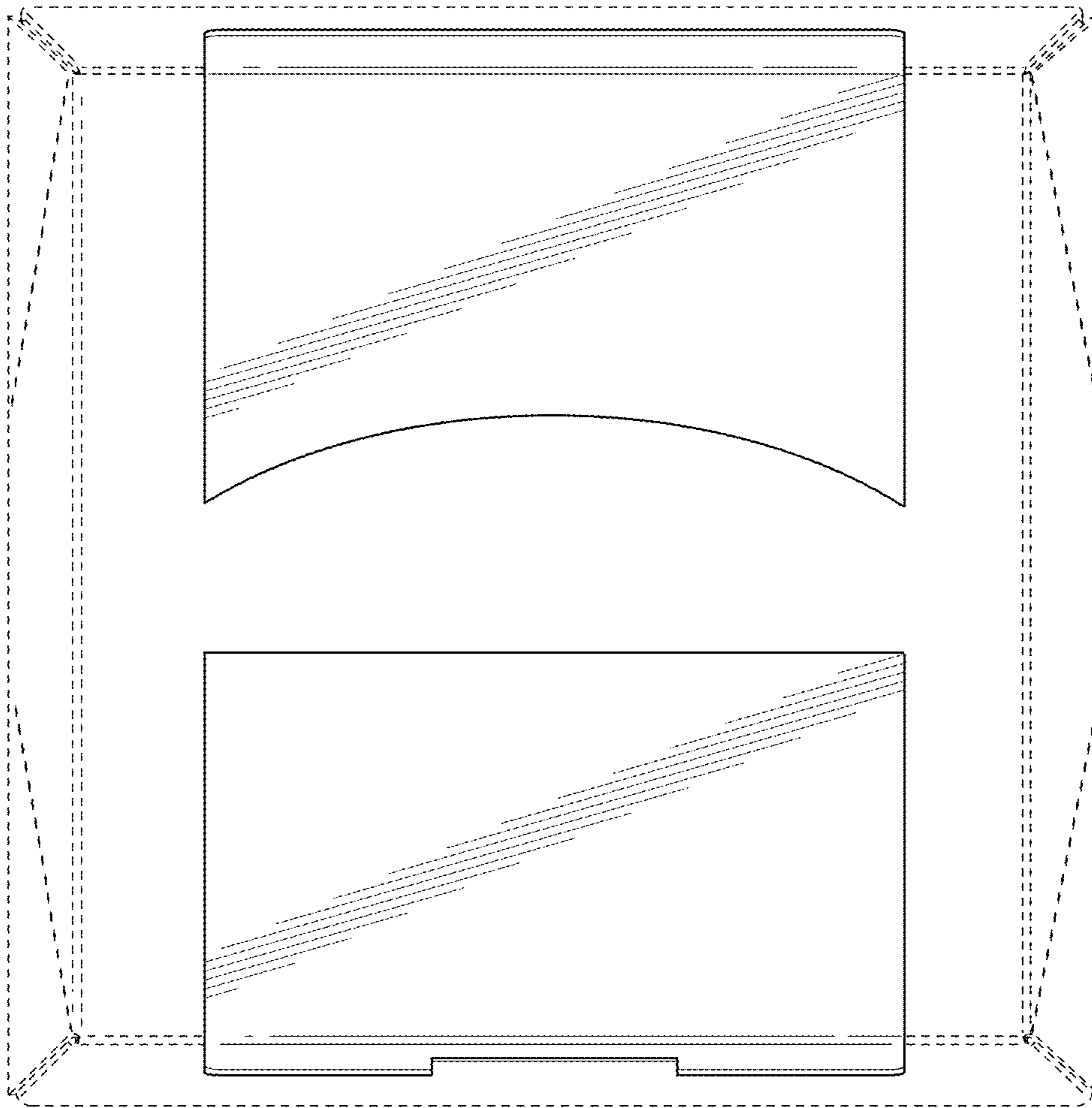


FIG. 11

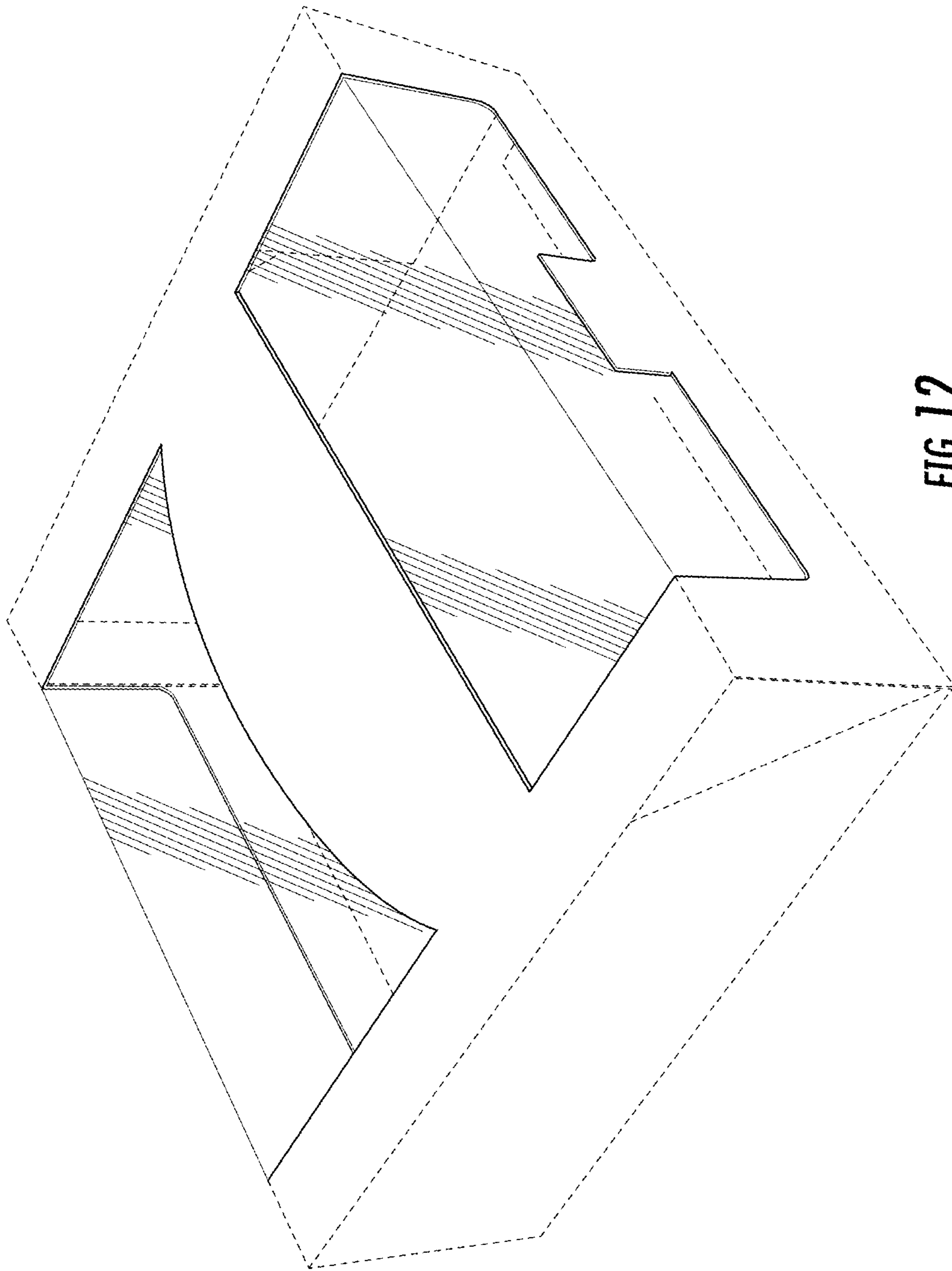


FIG. 12

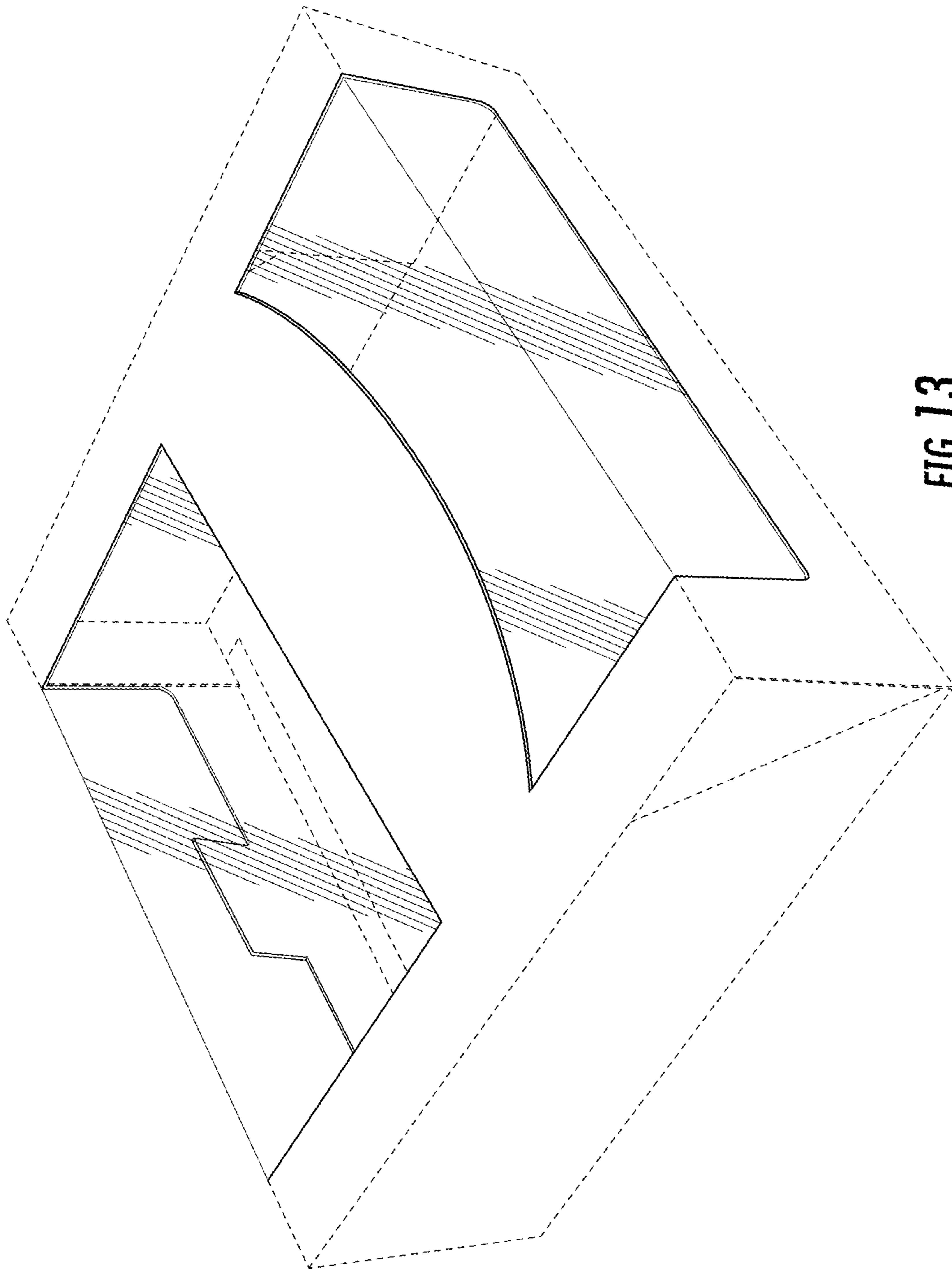


FIG. 13

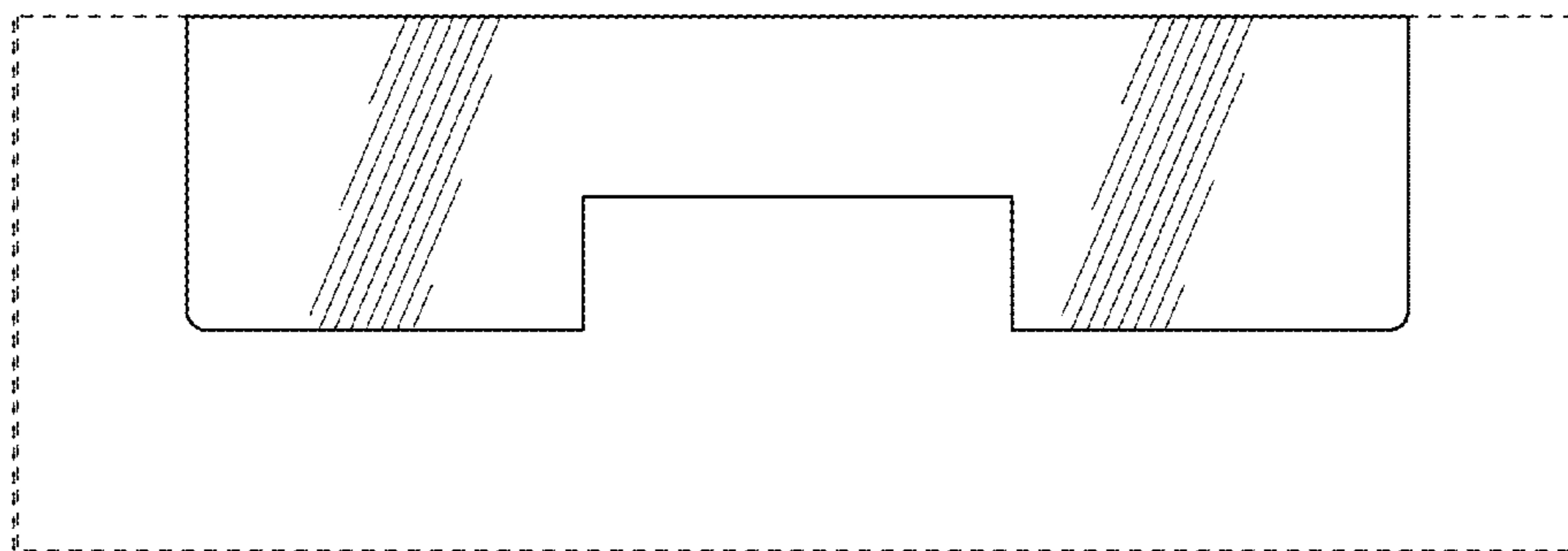


FIG. 14

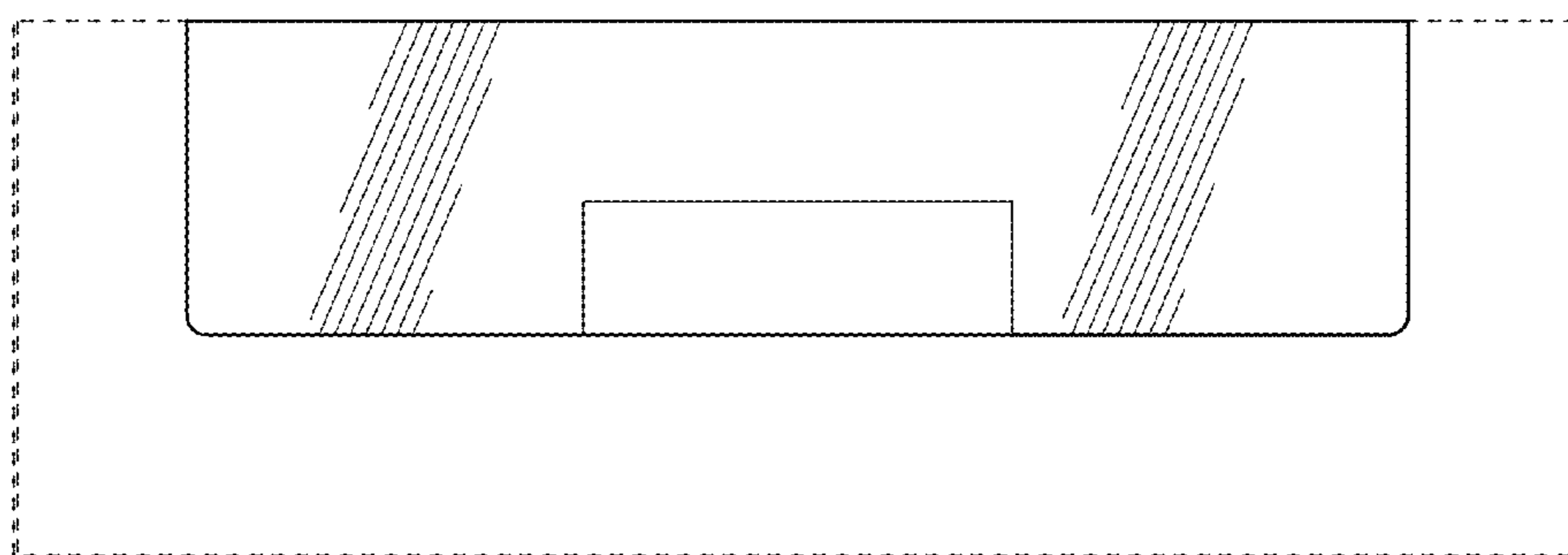


FIG. 15

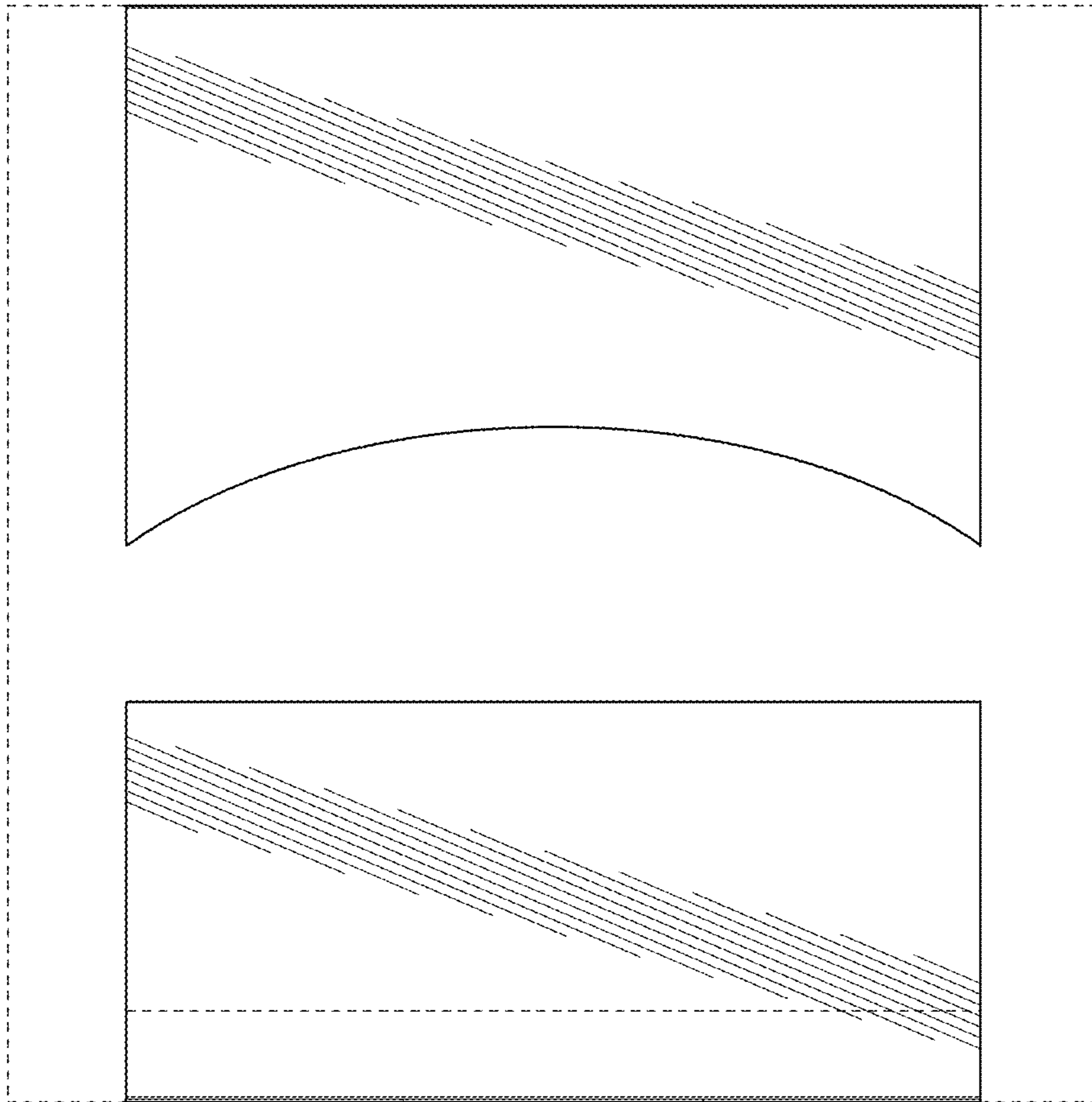


FIG. 16