



US00D904870S

(12) **United States Design Patent** (10) **Patent No.:** **US D904,870 S**
Sill et al. (45) **Date of Patent:** **** Dec. 15, 2020**

(54) **CLOSEABLE CARTON**
(71) Applicant: **Inno-Pak, LLC**, Delaware, OH (US)
(72) Inventors: **Jonathan D. Sill**, Delaware, OH (US);
Steven A. Mayer, Indianapolis, IN (US)
(73) Assignee: **Inno-Pak, LLC**, Delaware, OH (US)
(**) Term: **15 Years**
(21) Appl. No.: **29/633,125**
(22) Filed: **Jan. 12, 2018**

(52) **U.S. Cl.**
USPC **D9/418**
(58) **Field of Classification Search**
USPC D9/414-419, 447, 715, 737; D7/91, 505;
D3/215; D10/64; D23/366
CPC .. B65D 5/4204; B65D 5/4266; B65D 5/4208;
B65D 85/36
See application file for complete search history.

(56) **References Cited**
U.S. PATENT DOCUMENTS
D259,253 S 5/1981 Nelson
D262,945 S 2/1982 Lytra
(Continued)

Related U.S. Application Data

(60) Continuation-in-part of application No. 29/573,421, filed on Aug. 5, 2016, now abandoned, which is a division of application No. 29/539,525, filed on Sep. 15, 2015, now Pat. No. Des. 774,893, which is a continuation of application No. 29/527,085, filed on May 15, 2015, now Pat. No. Des. 762,113, application No. 29/633,125, which is a continuation-in-part of application No. 29/573,599, filed on Aug. 8, 2016, now abandoned, which is a division of application No. 29/545,302, filed on Nov. 11, 2015, now Pat. No. Des. 774,896, which is a continuation-in-part of application No. 29/527,085, filed on May 15, 2015, now Pat. No. Des. 762,113, application No. 29/633,125, which is a continuation-in-part of application No. 29/604,589, filed on May 18, 2017, now Pat. No. Des. 816,480, which is a division of application No. 29/573,472, filed on Aug. 5, 2016, now Pat. No. Des. 787,314, which is a division of application No. 29/545,297, filed on Nov. 11, 2015, now Pat. No. Des. 786,663, which is a continuation of application No. 29/516,707, filed on Feb. 5, 2015, now Pat. No. Des. 774,891, application No. 29/633,125, which is a continuation of application No. 29/615,117, filed on
(Continued)

OTHER PUBLICATIONS
Notice of Allowance dated Apr. 18, 2016 from U.S. Appl. No. 29/527,085.
Office Action dated Feb. 1, 2016 from U.S. Appl. No. 29/516,707.
Primary Examiner — Rhea Shields
(74) *Attorney, Agent, or Firm* — Forrest Firm, P.C.

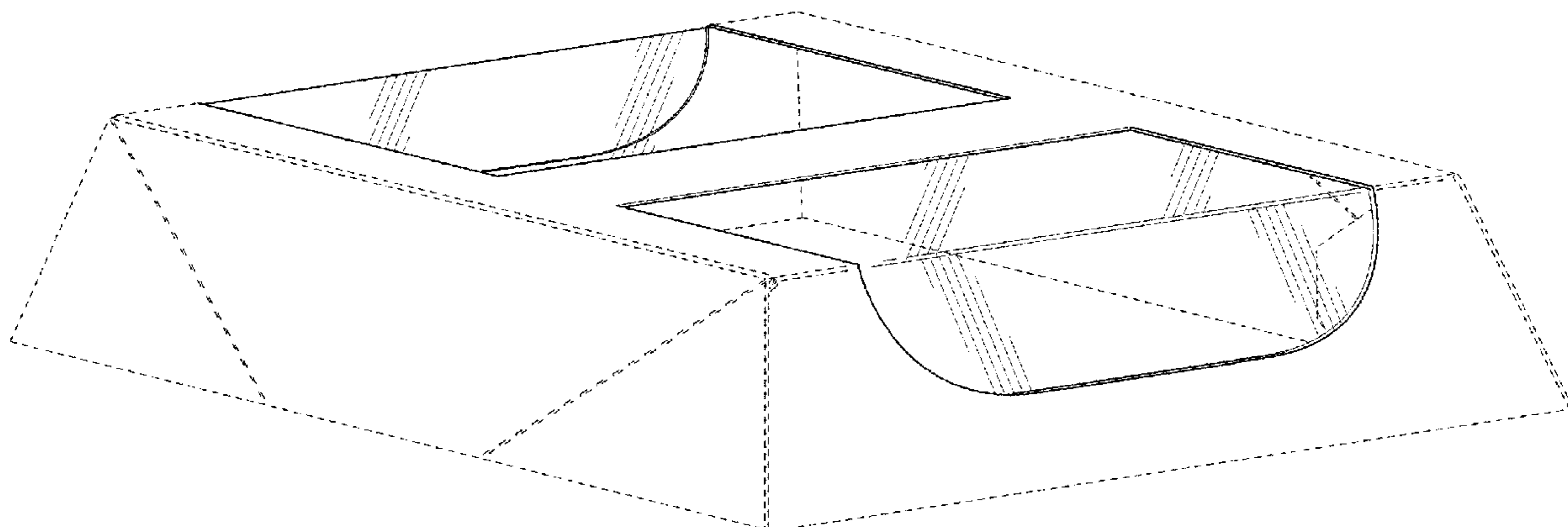
(57) **CLAIM**
The ornamental design for a closeable carton, as shown and described.

DESCRIPTION

FIG. 1 is a front perspective view of a first embodiment of the closeable carton, showing our new design. The rear perspective view being a mirror image thereof;
FIG. 2 is a top plan view thereof;
FIG. 3 is a front perspective view of a second embodiment of the closeable carton, the rear perspective view being a mirror image thereof; and,
FIG. 4 is a top plan view thereof.
In the drawings, the broken lines are for the purpose of illustrating portions of the closeable carton that form no part of the claimed design.

(51) **LOC (12) Cl.** **09-03**

1 Claim, 4 Drawing Sheets



Related U.S. Application Data

Aug. 25, 2017, now Pat. No. Des. 846,378, which is a division of application No. 29/566,225, filed on May 27, 2016, now Pat. No. Des. 800,546, application No. 29/633,125, which is a continuation of application No. 29/615,115, filed on Aug. 25, 2017, now Pat. No. Des. 846,981, which is a division of application No. 29/567,061, filed on Jun. 6, 2016, now Pat. No. Des. 799,955, application No. 29/633,125, which is a continuation of application No. 29/615,120, filed on Aug. 25, 2017, now Pat. No. Des. 879,603, which is a division of application No. 29/573,602, filed on Aug. 8, 2016, now Pat. No. Des. 799,317, which is a division of application No. 29/545,314, filed on Nov. 11, 2015, now Pat. No. Des. 776,522, application No. 29/633,125, which is a continuation of application No. 29/615,119, filed on Aug. 25, 2017, now Pat. No. Des. 847,626, which is a division of application No. 29/567,062, filed on Jun. 6, 2016, now Pat. No. Des. 800,548, application No. 29/633,125, which is a continuation of application No. 29/615,118, filed on Aug. 25, 2017, now Pat. No. Des. 846,379, which is a division of application No. 29/566,228, filed on May 27, 2016, now Pat. No. Des. 800,547, application No. 29/633,125, which is a continuation of application No. 29/605,390, filed on May 25, 2017, now Pat. No. Des. 816,481, which is a division of application No. 29/573,480, filed on Aug. 5, 2016, now Pat. No. Des. 787,929, which is a division of application No. 29/545,309, filed on Nov. 11, 2015, now Pat. No. Des. 774,898, which is a continuation of application No. 29/516,707, filed on Feb. 5, 2015, now Pat. No. Des. 774,891, application No. 29/633,125, which is a continuation of application No. 29/605,393, filed on May 25, 2017, now Pat. No. Des. 879,606, which is a division of application No. 29/573,833, filed on Aug. 10, 2016, now Pat. No. Des. 787,933, which is a division of application No. 29/545,308, filed on Nov. 11, 2015, now Pat. No. Des. 774,897, which is a continuation of application No. 29/527,085, filed on May 15, 2015, now Pat. No. Des. 762,113.

(56)

References Cited

U.S. PATENT DOCUMENTS

D263,796 S * 4/1982 Fireman D9/418
D265,551 S * 7/1982 Colby D9/415
D271,283 S * 11/1983 Taylor D9/415
D271,664 S * 12/1983 Cowan, Jr. D9/418
D274,407 S * 6/1984 Rosenburg, Jr. D9/418
D279,355 S 6/1985 Ujiie
D291,065 S 7/1987 Pugh
D295,958 S 5/1988 Pugh
D295,959 S * 5/1988 Pugh D9/737
D300,906 S 5/1989 Caldwell et al.
D302,948 S * 8/1989 Blum D9/715
D304,907 S * 12/1989 Tamsen D9/418
D305,204 S 12/1989 Reifein et al.
4,911,298 A 3/1990 Miyagawa
D308,941 S * 7/1990 Kong D7/505
D309,262 S 7/1990 Coiner
D309,753 S 8/1990 Kagelmann-holtz et al.
D326,225 S * 5/1992 Beckerman D9/416
5,114,002 A 5/1992 Warner
D332,347 S 1/1993 Raadt
D332,744 S 1/1993 McCooey
D333,781 S 3/1993 Kobel

D335,820 S 5/1993 Detert et al.
D337,047 S 7/1993 Pearce et al.
D351,554 S 10/1994 Kim
D362,405 S 9/1995 Dallimore
D365,755 S 1/1996 Kanfer et al.
5,505,372 A 4/1996 Edson
D371,070 S 6/1996 Brier
D371,959 S 7/1996 Hupp
D372,401 S 8/1996 Lillelund et al.
D378,126 S * 2/1997 Williams D23/366
D380,964 S 7/1997 Miller et al.
D383,669 S 9/1997 Taylor
D386,079 S 11/1997 Harper
D387,979 S * 12/1997 Dolan D9/415
D389,739 S * 1/1998 Auclair D9/418
D401,147 S 11/1998 Miller
D403,576 S * 1/1999 Weiss D9/447
D406,754 S * 3/1999 Tanabe D9/415
D415,960 S 11/1999 Majdanski et al.
5,992,733 A 11/1999 Gomes
D425,702 S * 5/2000 Baich D10/64
D429,462 S * 8/2000 Kumakura D9/415
D429,635 S * 8/2000 Ito D9/415
D430,017 S * 8/2000 Ito D9/415
D430,396 S * 9/2000 Biesecker D3/215
D433,260 S 11/2000 Shimbo et al.
D440,491 S 4/2001 Stacy-ryan
D442,859 S * 5/2001 Hirschey D9/418
6,227,367 B1 5/2001 Harrelson
D443,204 S * 6/2001 Garrant D9/415
D464,878 S 10/2002 Thompson
D469,349 S 1/2003 Meeker et al.
D469,692 S 2/2003 Meeker et al.
D485,172 S 1/2004 Defino
D518,371 S 4/2006 Franic
D519,366 S 4/2006 Epstein
D527,629 S 9/2006 Franic
D536,245 S 2/2007 Bruun
D536,612 S 2/2007 Geurts et al.
D540,164 S 4/2007 Franic
D556,599 S 12/2007 Keener
D570,683 S 6/2008 Kortsmitt et al.
D578,883 S 10/2008 Kisch
D580,751 S 11/2008 Blick
7,444,956 B2 11/2008 Vadis
D582,791 S 12/2008 Elmerhaus
D587,998 S 3/2009 Kaisonlahti
D593,211 S 5/2009 Dewitt
D595,104 S 6/2009 Goodrich
D596,027 S 7/2009 Kalberer
D601,016 S 9/2009 Kalberer
D602,353 S 10/2009 Anderson et al.
D605,506 S 12/2009 Franic
D607,987 S 1/2010 Paxton
D616,739 S 6/2010 Kalberer
D617,636 S 6/2010 Vanhoutte
D618,543 S 6/2010 Polaski
7,780,004 B2 8/2010 Carlozzi
D623,939 S 9/2010 Tearle
D624,405 S 9/2010 Franic
D626,831 S 11/2010 Nicholas
D629,294 S 12/2010 Chinnis
D629,295 S 12/2010 Franic
D636,662 S 4/2011 Ignacio et al.
D637,078 S 5/2011 Peng
D637,488 S 5/2011 Franic
D638,702 S 5/2011 Lowery
D644,099 S 8/2011 Martinez Rodriguez
D644,508 S 9/2011 Martinez Rodriguez
D646,964 S 10/2011 Ampadu
D647,398 S 10/2011 Winkler
D649,067 S 11/2011 Birdwell et al.
D649,451 S 11/2011 Franic
D649,886 S 12/2011 Ocampo
D651,074 S 12/2011 Lacey
D655,153 S 3/2012 Mitten
D668,540 S 10/2012 Lutzig
D675,092 S 1/2013 Sill
8,356,743 B2 1/2013 Spivey, Sr.

(56)

References Cited

U.S. PATENT DOCUMENTS

D675,920 S	2/2013	Sill	D795,696 S	8/2017	Pitera et al.	
8,376,214 B2	2/2013	Spivey, Sr.	D799,317 S *	10/2017	Sill	D9/418
D678,779 S	3/2013	Lee	D799,955 S *	10/2017	Sill	D9/418
D679,950 S	4/2013	Cooper	D800,546 S	10/2017	Sill	
D681,444 S	5/2013	Oja et al.	D800,547 S	10/2017	Sill	
D685,633 S	7/2013	Thomas	D800,548 S *	10/2017	Sill	D9/418
D688,568 S	8/2013	Noel	D804,298 S	12/2017	Demmink	
D693,215 S	11/2013	Sill	D809,917 S	2/2018	Wieser	
D693,216 S	11/2013	Sill	D816,479 S	5/2018	Sill	
D693,217 S	11/2013	Sill	D816,480 S	5/2018	Sill	
D693,218 S	11/2013	Sill	D816,481 S *	5/2018	Sill	D9/418
D695,104 S	12/2013	Sill	D820,688 S	6/2018	Fath	
D696,725 S	12/2013	Sasken-Duff et al.	D822,283 S	7/2018	Gaito	
8,607,987 B2	12/2013	Oja et al.	D822,480 S	7/2018	Rivera	
D699,103 S	2/2014	Rathbone et al.	D829,095 S	9/2018	McKenna	
D706,132 S	6/2014	Sill	D839,725 S	2/2019	Ralston et al.	
D708,511 S	7/2014	Green	D840,219 S	2/2019	McKenna	
D710,713 S	8/2014	Fath	D840,807 S	2/2019	Ross	
D712,275 S	9/2014	Irek	D842,098 S	3/2019	Ross	
D713,716 S	9/2014	Oja et al.	D844,430 S	4/2019	Dammers et al.	
D716,649 S	11/2014	McAdam	D846,378 S *	4/2019	Sill	D9/418
D717,162 S	11/2014	Baker	D846,379 S *	4/2019	Sill	D9/418
D717,163 S	11/2014	Paulsen	D846,981 S	4/2019	Sill et al.	
D717,645 S	11/2014	Wilmers	D846,982 S	4/2019	Horne	
D719,440 S	12/2014	Matloff	D847,454 S	4/2019	Mathia	
D719,845 S	12/2014	Lee	D847,626 S *	5/2019	Sill	D9/418
D722,869 S	2/2015	Himmelsbach et al.	D852,032 S	6/2019	Horne	
D726,004 S	4/2015	Chiang	D854,925 S	7/2019	Fath	
D727,732 S	4/2015	Petty	D856,131 S	8/2019	Hon	
D728,357 S	5/2015	Pierce	D856,794 S	8/2019	Sill et al.	
D729,055 S	5/2015	Lemnios et al.	D856,795 S	8/2019	Sill et al.	
D729,058 S	5/2015	Ishikawa	D856,796 S	8/2019	Sill et al.	
D734,145 S	7/2015	Fath et al.	D856,797 S *	8/2019	Sill	D9/418
D739,228 S	9/2015	Jondal et al.	D865,517 S	11/2019	Gressel et al.	
D740,654 S	10/2015	Boehnen et al.	D867,125 S	11/2019	Sill et al.	
D743,248 S	11/2015	Fath et al.	D879,603 S	3/2020	Sill et al.	
D746,673 S	1/2016	Sanfilippo	D879,604 S	3/2020	Sill et al.	
D746,699 S	1/2016	Fath	D880,999 S	4/2020	Sill et al.	
D746,700 S	1/2016	Boehnen et al.	D881,000 S	4/2020	Sill et al.	
D753,919 S	4/2016	Parker	D881,001 S	4/2020	Sill et al.	
D760,598 S	7/2016	White	D881,002 S	4/2020	Sill et al.	
D762,113 S *	7/2016	Mayer	2009/0236351 A1 *	9/2009	Chu	B65D 5/4208 220/751
D762,465 S	8/2016	Popper et al.	2010/0059579 A1	3/2010	House	
D766,108 S	9/2016	Brown	2013/0220873 A1	8/2013	Holley, Jr.	
D774,891 S	12/2016	Mayer	2014/0103100 A1	4/2014	Falcon	
D774,893 S *	12/2016	Mayer	2015/0344216 A1	12/2015	Petty et al.	
D774,895 S	12/2016	Mayer	2016/0009442 A1	1/2016	Block	
D774,896 S *	12/2016	Mayer	2016/0362220 A1	12/2016	Kearns	
D774,897 S *	12/2016	Mayer	2017/0066586 A1	3/2017	Petty	
D774,898 S *	12/2016	Mayer	2018/0009585 A1	1/2018	Ramsuer	
D776,522 S	1/2017	Mayer	2018/0022500 A1	1/2018	Zhu	
D784,164 S	4/2017	Toth et al.	2018/0118403 A1 *	5/2018	Petty	B65D 85/36
D786,663 S *	5/2017	Mayer	2018/0127141 A1	5/2018	Brundage	
D787,313 S	5/2017	Mayer	2018/0141734 A1	5/2018	Kooc	
D787,314 S *	5/2017	Sill	2018/0297761 A1	10/2018	Alexander	
D787,315 S	5/2017	Sill	2018/0319560 A1	11/2018	Blin	
D787,316 S	5/2017	Sill	2019/0009946 A1 *	1/2019	Nixon	B65D 5/4266
D787,929 S *	5/2017	Sill	2019/0016501 A1	1/2019	Djokovic	
D787,933 S *	5/2017	Sill	2019/0144157 A1 *	5/2019	Sill	B65D 5/4204 206/459.1
D789,783 S	6/2017	DeBusk				

* cited by examiner

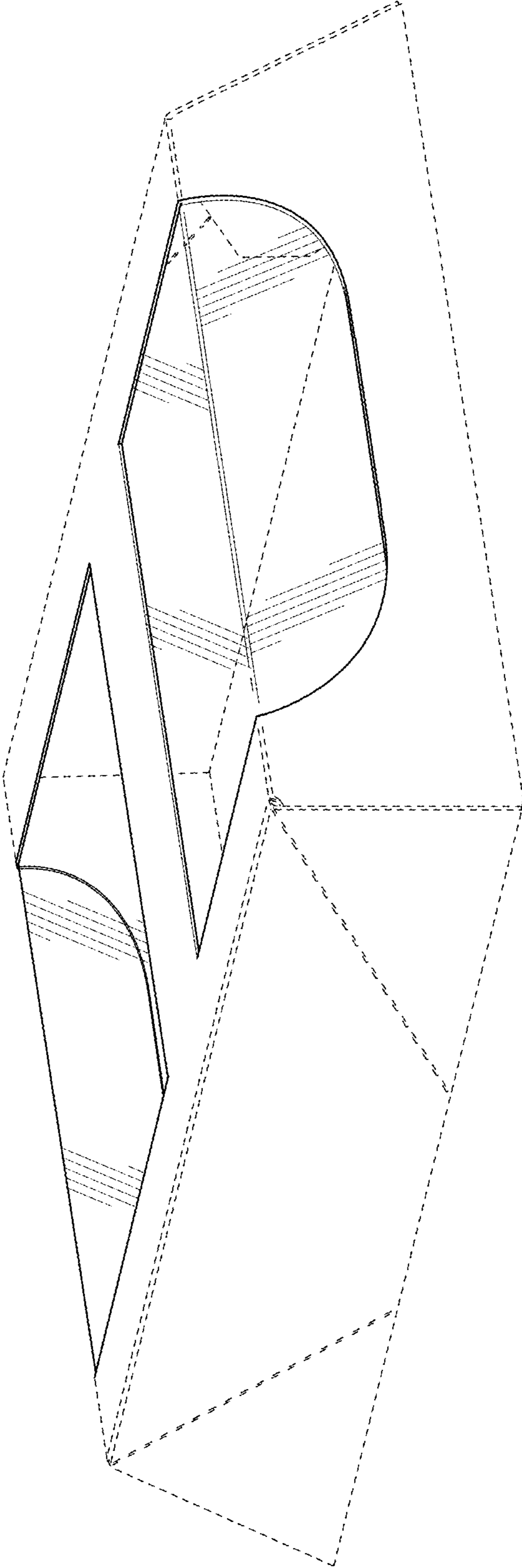


FIG. 1

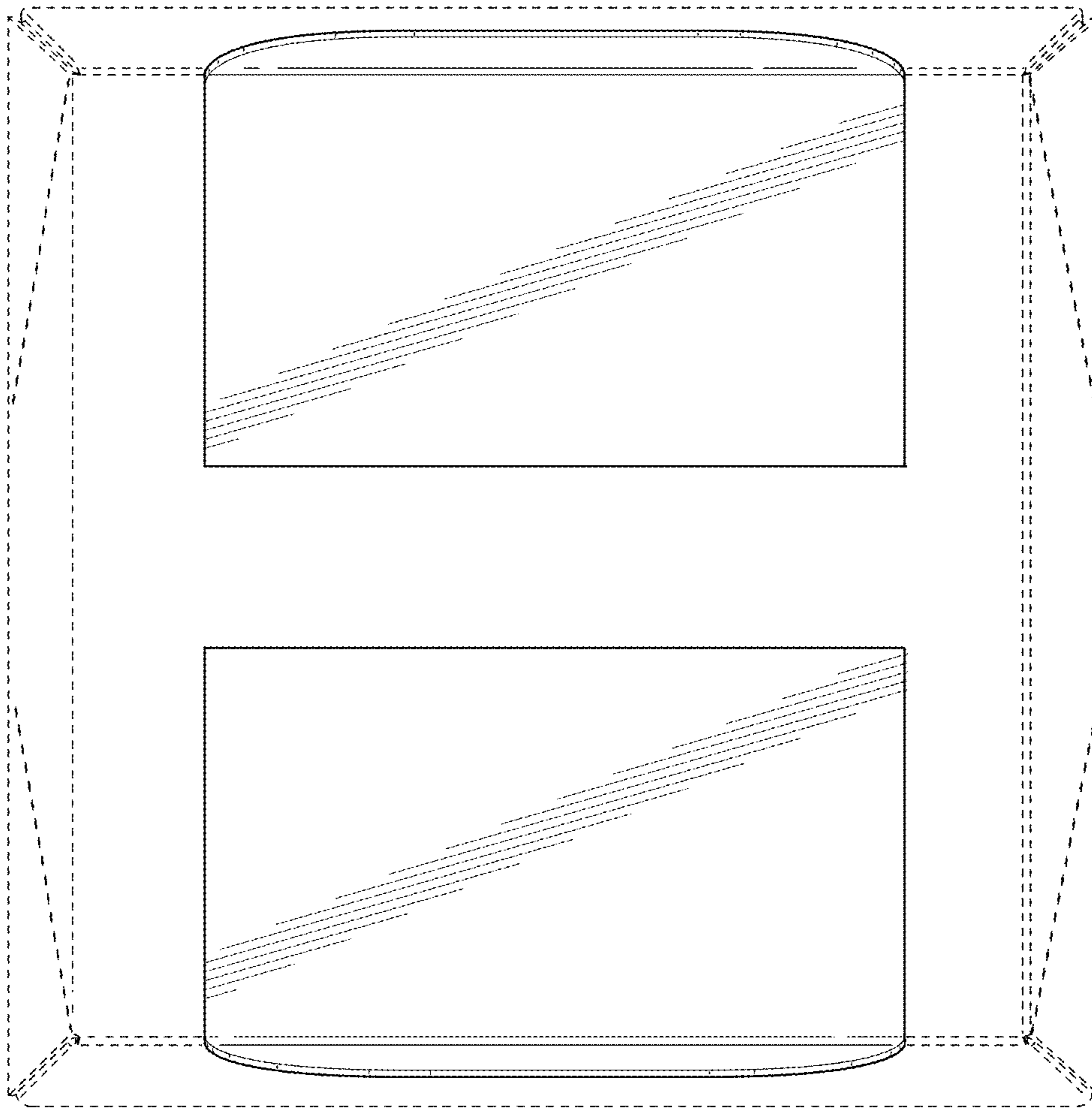


FIG. 2

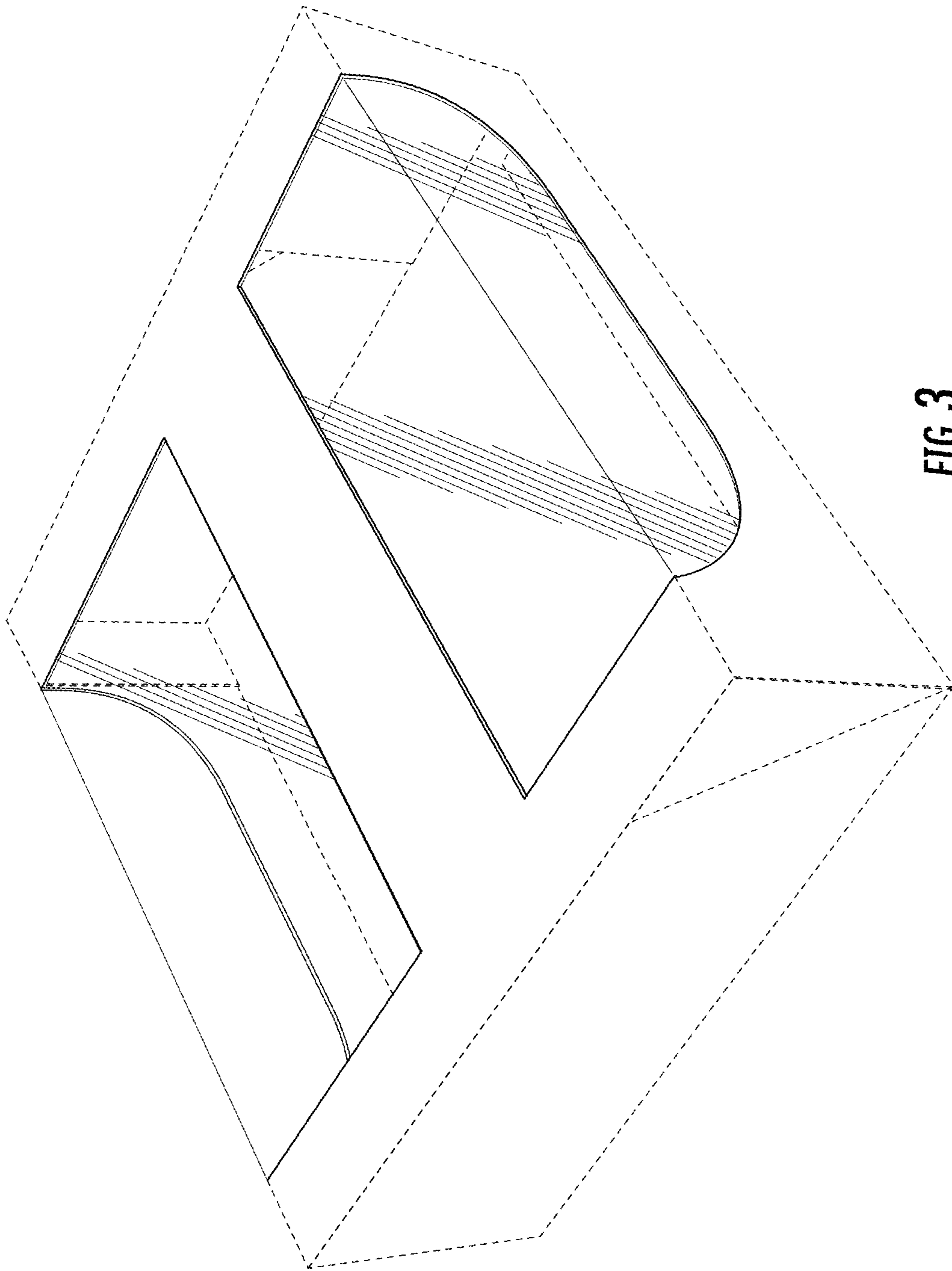


FIG. 3

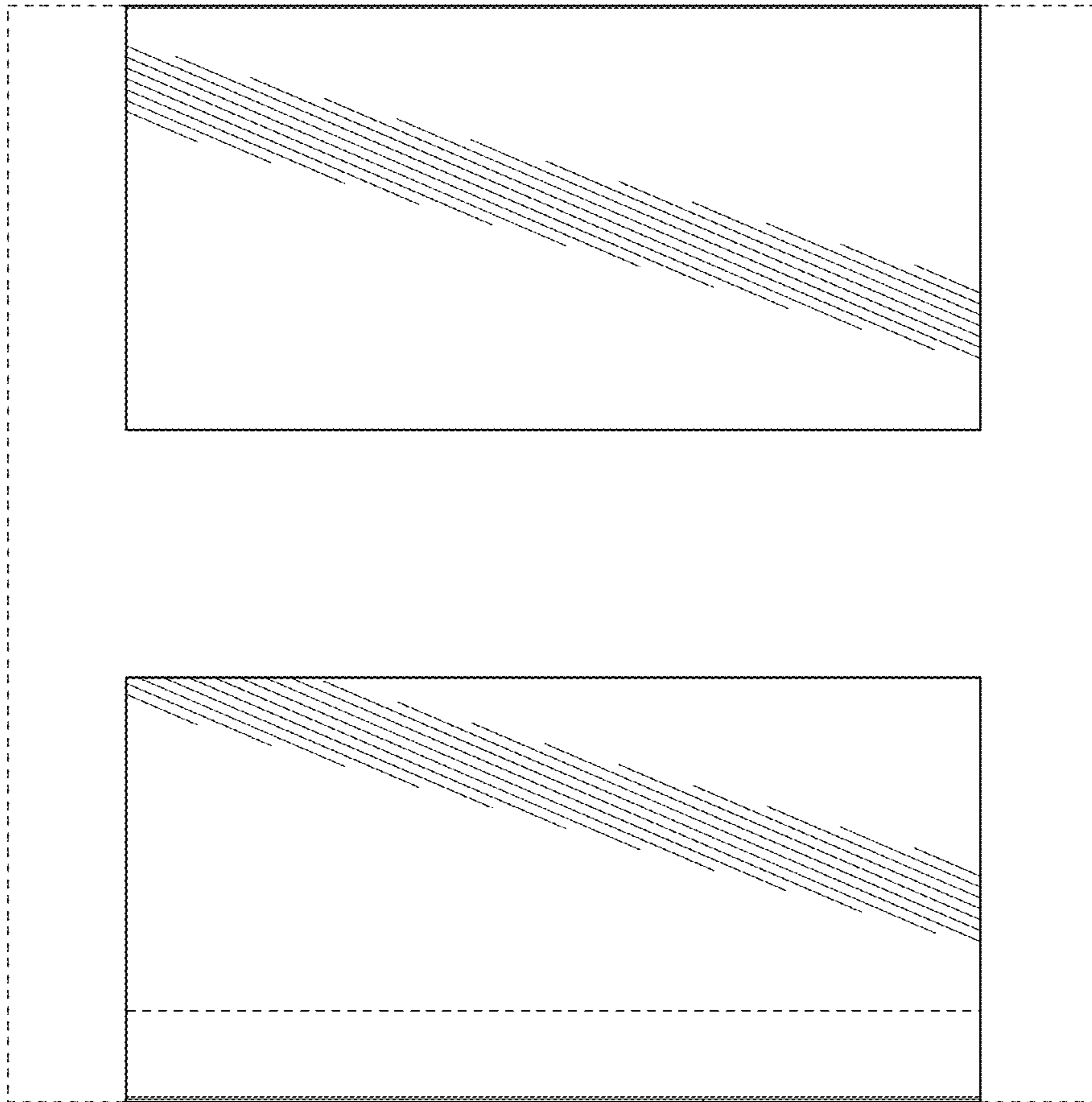


FIG. 4