



US00D904869S

(12) **United States Design Patent**
Nelson et al.

(10) **Patent No.:** **US D904,869 S**

(45) **Date of Patent:** **** Dec. 15, 2020**

(54) **GIFT AND GIFT CARD PACKAGING**

(71) Applicant: **American Greetings Corporation,**
Cleveland, OH (US)

(72) Inventors: **Gary Nelson,** Avon, OH (US); **Beth Dinvalid,** Cleveland, OH (US)

(73) Assignee: **American Greetings Corporation,**
Cleveland, OH (US)

(**) Term: **15 Years**

(21) Appl. No.: **29/631,947**

(22) Filed: **Jan. 4, 2018**

(51) **LOC (12) Cl.** **09-03**

(52) **U.S. Cl.**
USPC **D9/415**

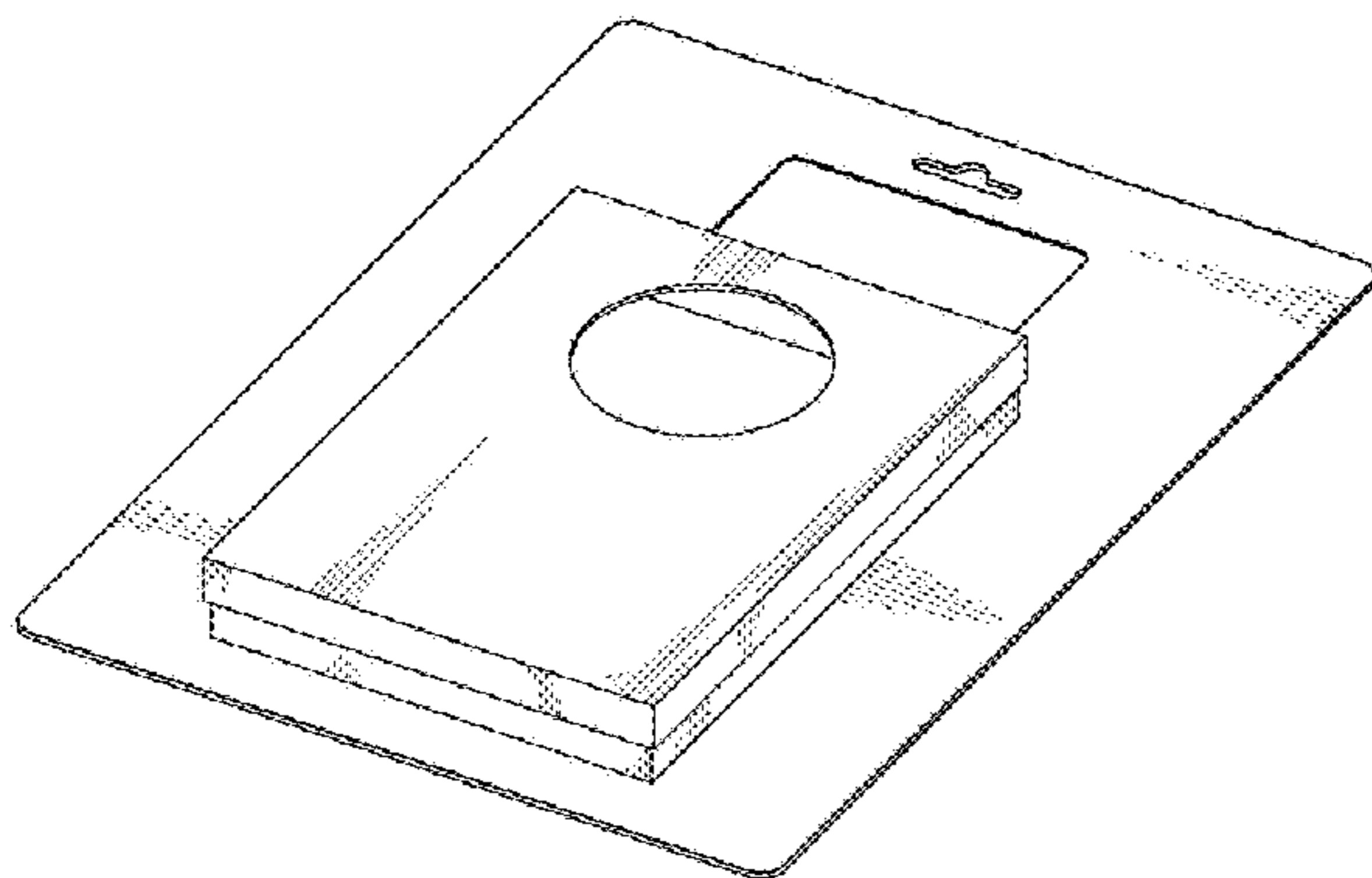
(58) **Field of Classification Search**
USPC D9/414, 415, 416, 432, 433, 658, 722,
D9/737; D3/201, 203.1, 273, 294, 298,
D3/299, 300, 304, 314; D19/1, 10
CPC .. B42D 15/045; B42D 15/022; B42D 15/027;
B42D 15/042; A63H 3/18
See application file for complete search history.

(56) **References Cited**

U.S. PATENT DOCUMENTS

2,314,721	A *	3/1943	Lowenstein	A63J 13/00 428/13
2,417,982	A *	3/1947	Histed	B42D 5/028 229/92.8
4,433,780	A *	2/1984	Ellis	B42D 15/022 206/232
6,050,415	A *	4/2000	Lind	B65D 73/0092 206/462
6,260,703	B1 *	7/2001	Morton	B42D 15/045 206/387.1
D461,121	S *	8/2002	DiMartino	D9/415
6,957,737	B1 *	10/2005	Frederickson	G06Q 20/3437 206/449

(Continued)



Primary Examiner — Lauren R Calve

(74) *Attorney, Agent, or Firm* — Christine Flanagan

(57) **CLAIM**

The ornamental design for a gift and gift card packaging, as shown and described.

DESCRIPTION

FIG. 1 is a perspective view of a gift and gift card packaging of the present invention in a closed position.

FIG. 2 is a bottom view of the gift and gift card packaging of FIG. 1.

FIG. 3 is a top view of the gift and gift card packaging of FIG. 1.

FIG. 4 is a right side view of the gift and gift card packaging of FIG. 1, the left side view being a mirror image thereof.

FIG. 5 is a front view of the gift and gift card packaging of FIG. 1.

FIG. 6 is a rear view of the gift and gift card packaging of FIG. 1.

FIG. 7 is a perspective view of the gift and gift card packaging of FIG. 1 in an open position.

FIG. 8 is a bottom view of the gift and gift card packaging of FIG. 7.

FIG. 9 is a top view of the gift and gift card packaging of FIG. 7.

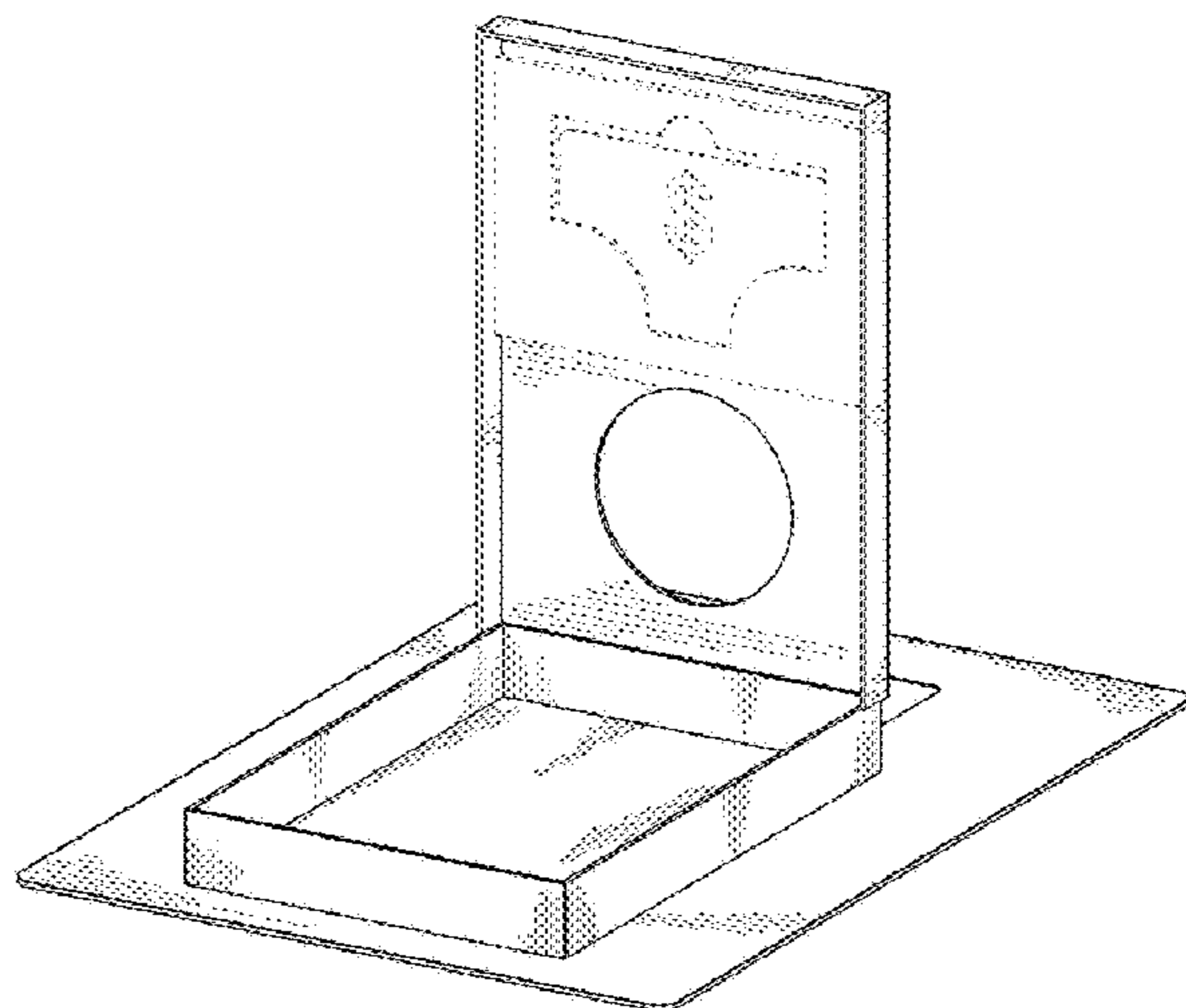
FIG. 10 is a left side view of the gift and gift card packaging of FIG. 7, the right side view being a mirror image thereof.

FIG. 11 is a front view of the gift and gift card packaging of FIG. 7; and,

FIG. 12 is a rear view of the gift and gift card packaging of FIG. 7.

The broken lines showing portions of the gift and gift card packaging are included for the purpose of illustrating environmental structure and form no part of the claimed design.

1 Claim, 6 Drawing Sheets



(56)

References Cited

U.S. PATENT DOCUMENTS

D632,955	S *	2/2011	Smith, III	D9/415
D675,109	S *	1/2013	Stahl	D9/732
8,448,360	B2 *	5/2013	Guo	B42D 15/022
					40/124.03
D687,293	S *	8/2013	Glass	D9/415
D699,107	S *	2/2014	Streich	D9/457
8,672,129	B2 *	3/2014	Glass	B65D 5/4208
					206/461
D720,399	S *	12/2014	Ehrlich	D19/10
9,216,608	B1 *	12/2015	Nelson	B42D 15/022
D759,162	S *	6/2016	Menzies	D20/19
D797,574	S *	9/2017	Dascoli	D9/732
9,907,374	B2 *	3/2018	Canaday	A45C 11/182
D842,707	S *	3/2019	Nelson	D9/722
D843,827	S *	3/2019	Nelson	D9/415
D856,146	S *	8/2019	McKenzie	D9/456
10,625,530	B2 *	4/2020	Nelson	B42D 15/022
D890,605	S *	7/2020	Nelson	D9/423
2002/0036152	A1 *	3/2002	Saiki	B65D 5/504
					206/485
2013/0036635	A1 *	2/2013	Mayer	G06Q 30/02
					40/124.06
2013/0220088	A1	8/2013	Glass et al.		
2014/0090995	A1	4/2014	Hahn et al.		
2014/0137445	A1 *	5/2014	Mandelbaum	G09F 1/04
					40/124.03
2014/0231278	A1	8/2014	Glass et al.		
2015/0314950	A1 *	11/2015	Lopez	B65D 5/422
					206/232
2017/0361220	A1 *	12/2017	Mayer	A63F 13/00
2018/0339540	A1 *	11/2018	Barnhardt	B42D 15/027

* cited by examiner

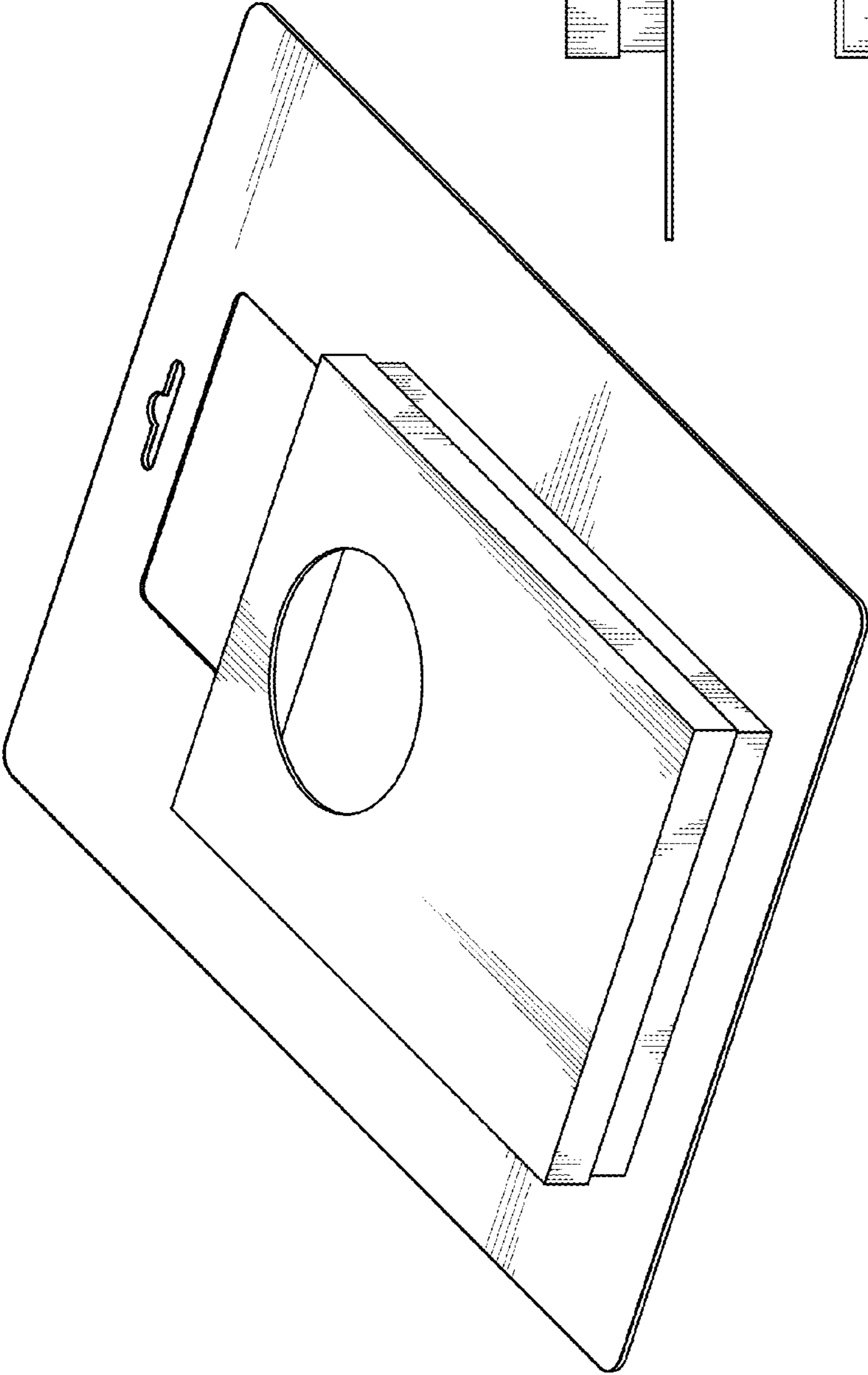


Fig. 1

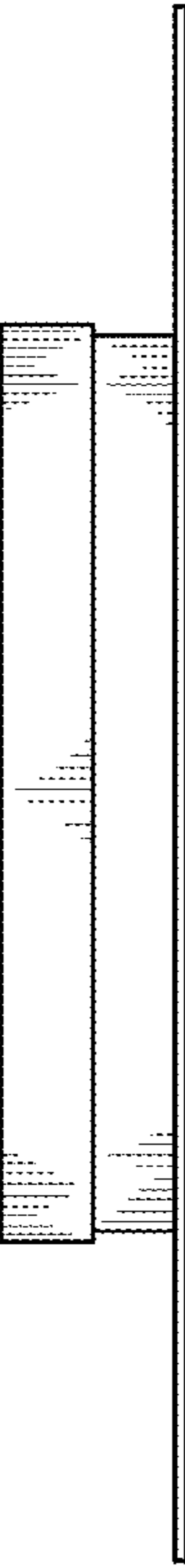


Fig. 2

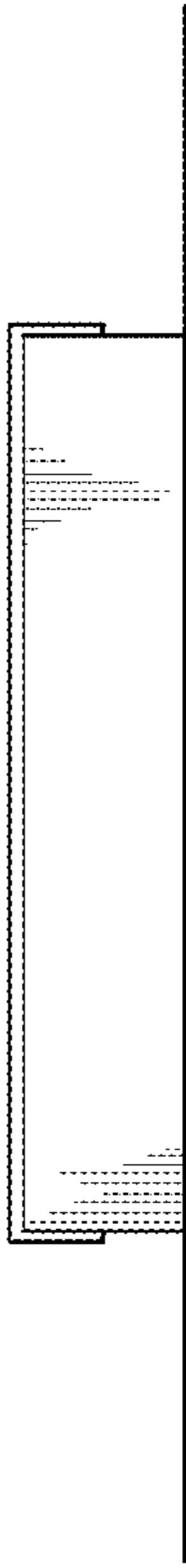


Fig. 3

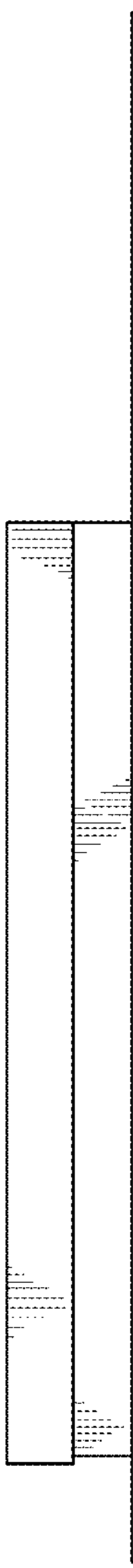


Fig. 4

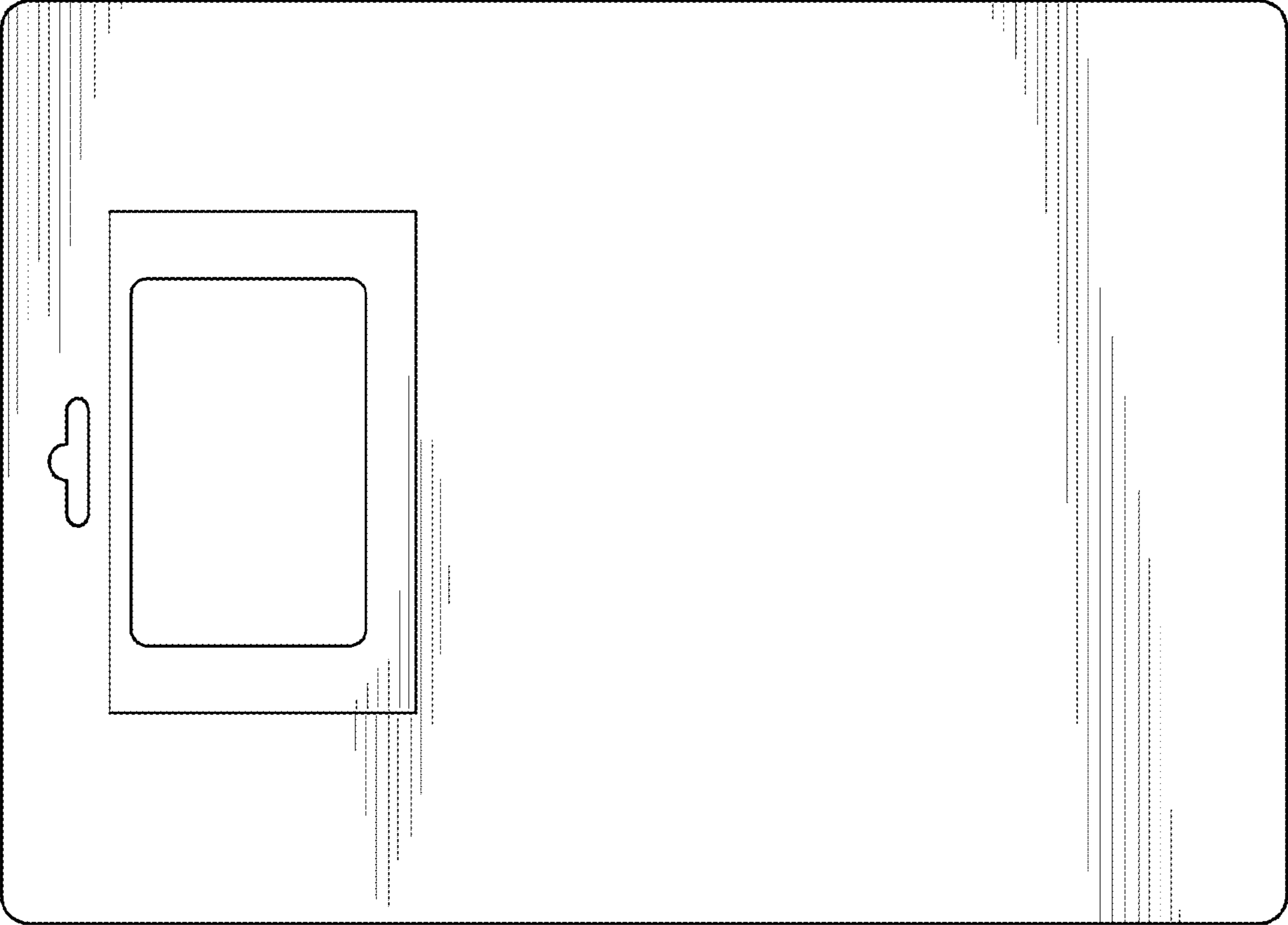


Fig. 6

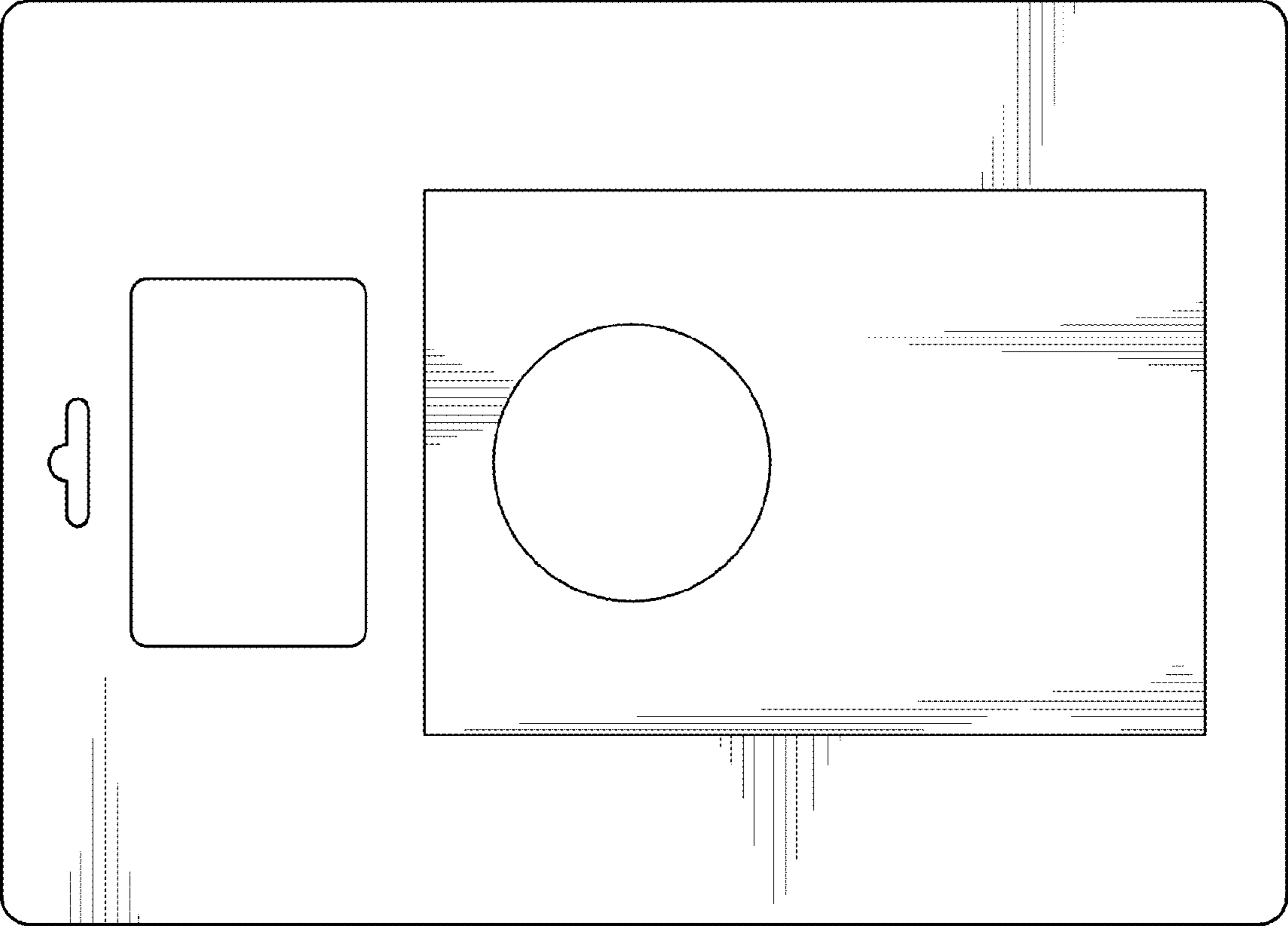


Fig. 5

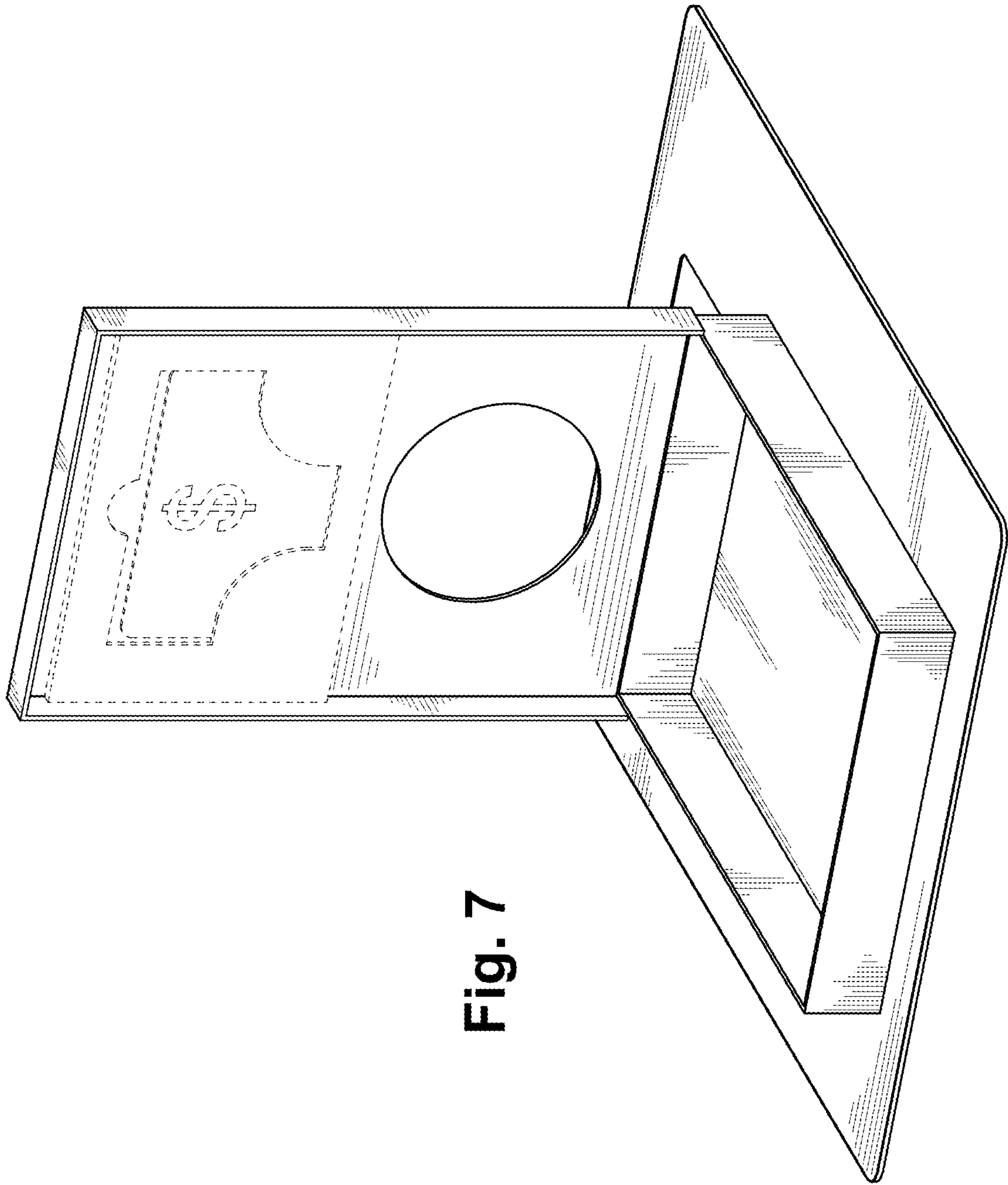


Fig. 7

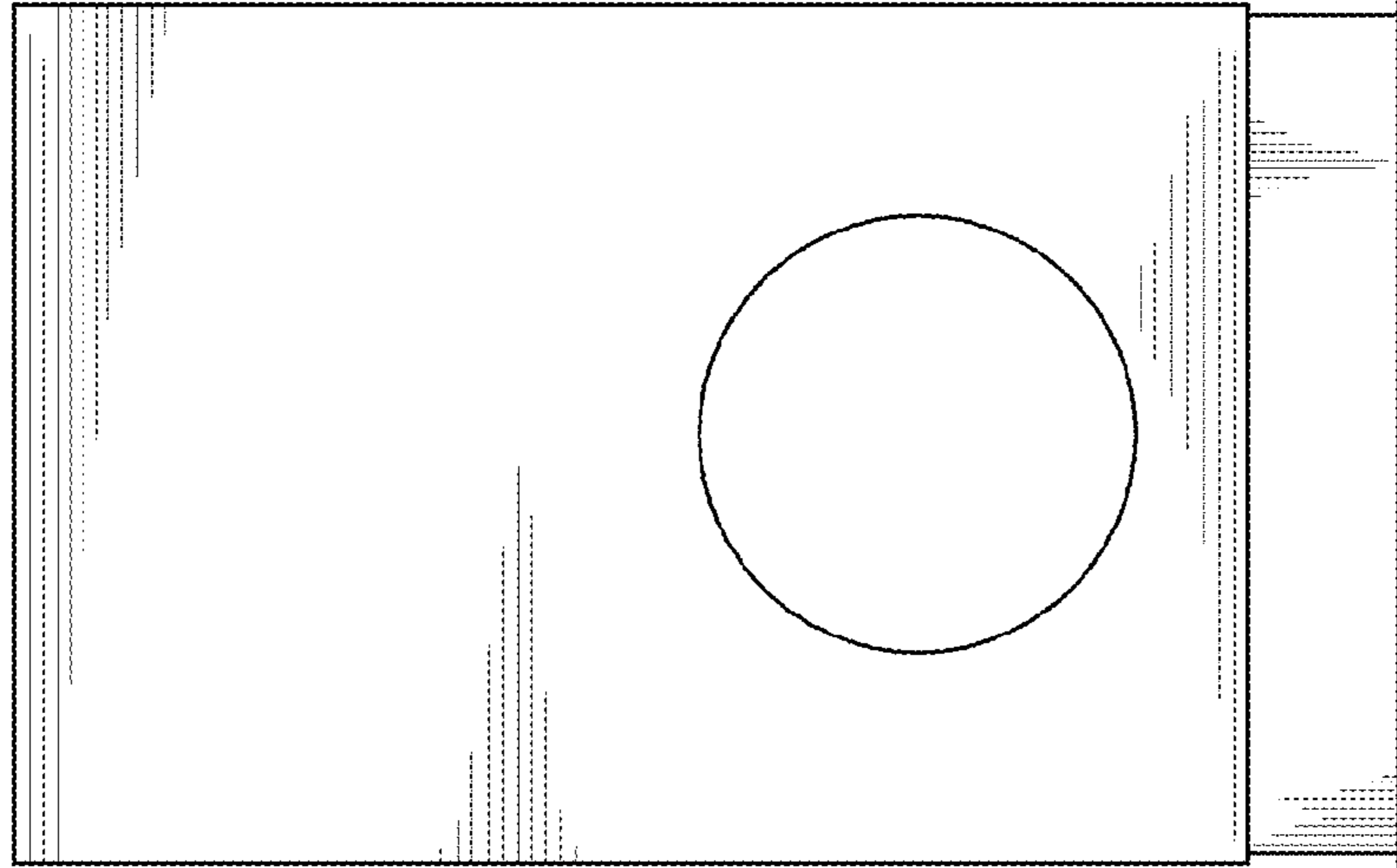


Fig. 9

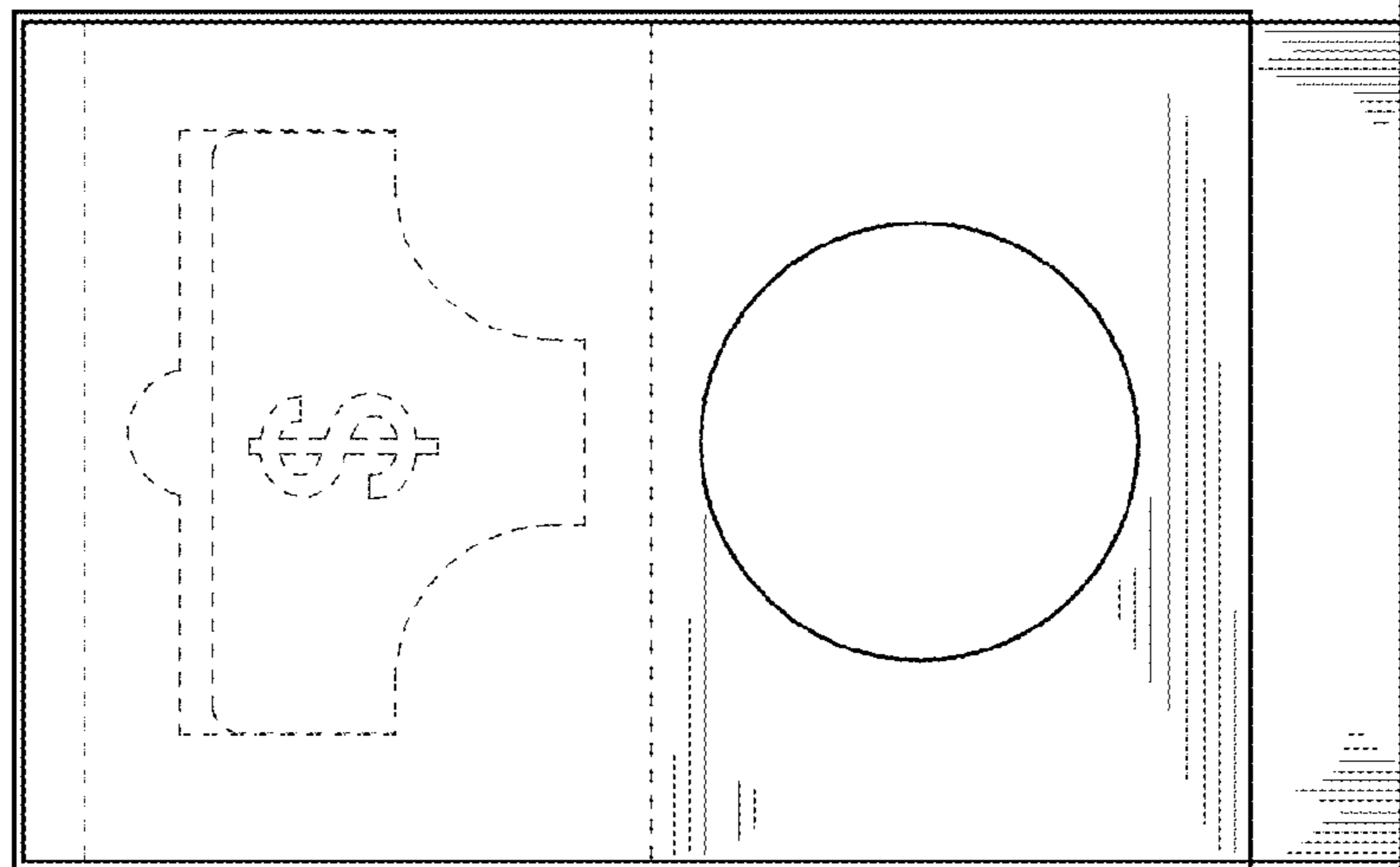


Fig. 8

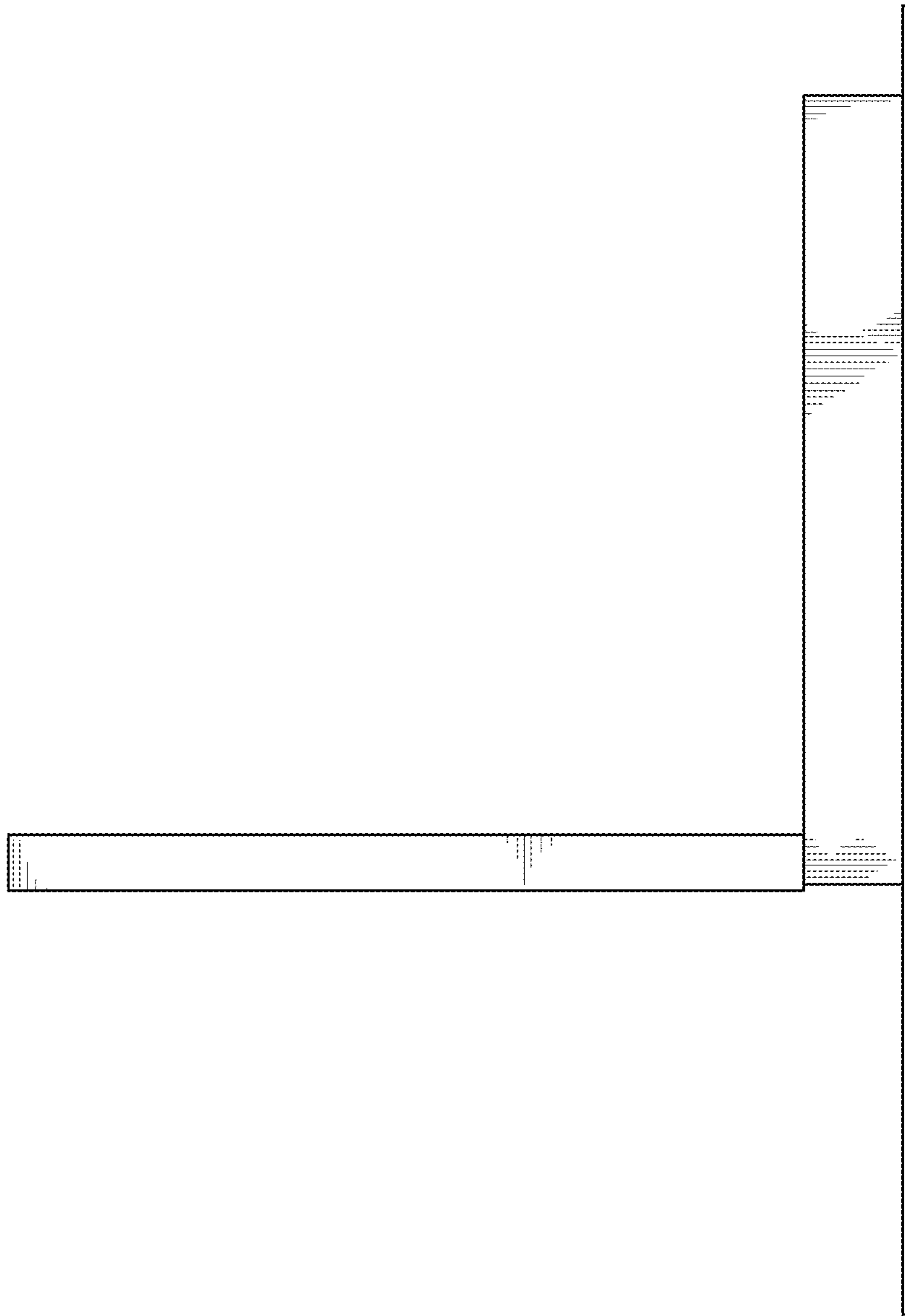


Fig. 10

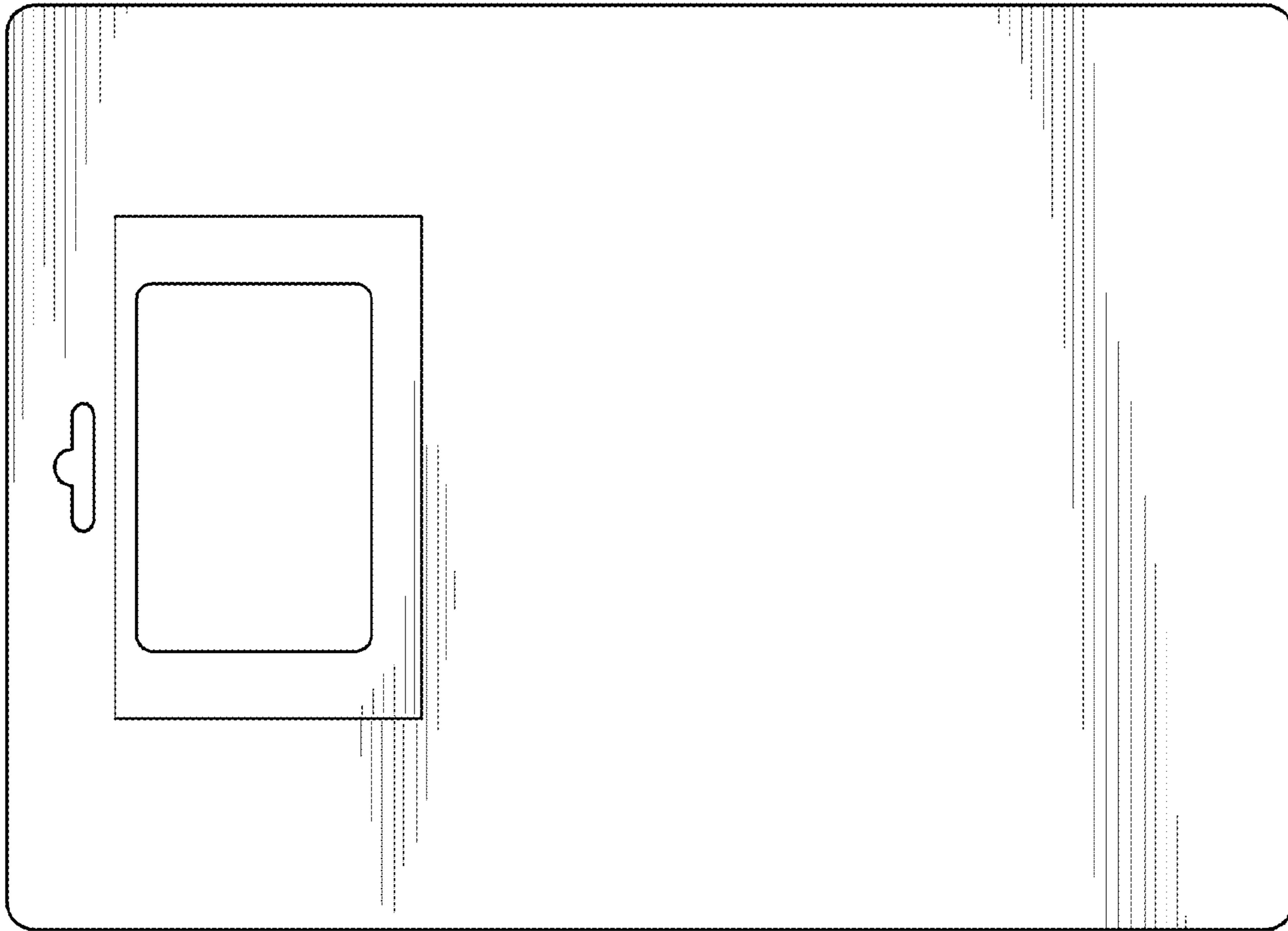


Fig. 12

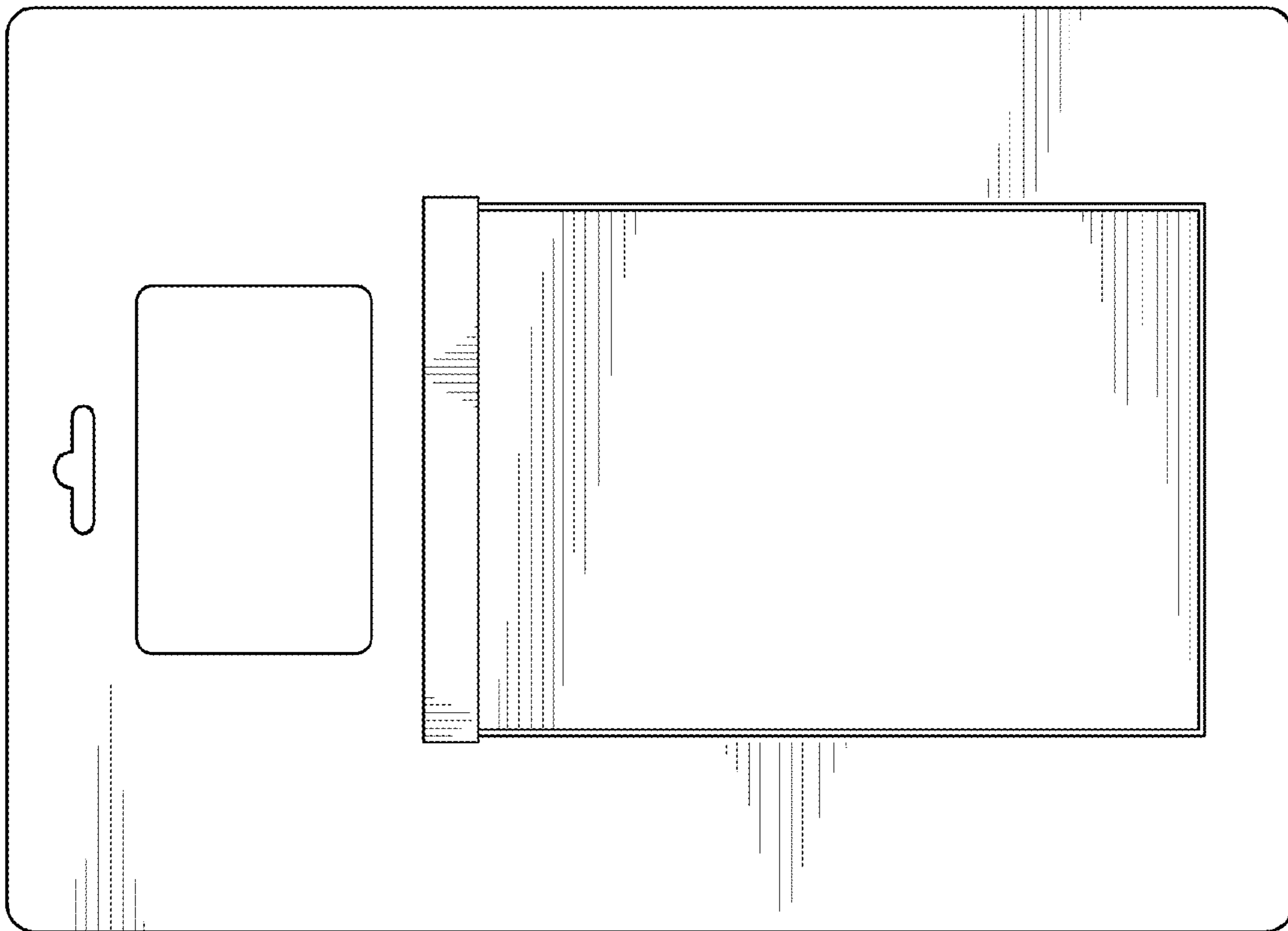


Fig. 11