

US00D904868S

(12) **United States Design Patent** (10) **Patent No.:** **US D904,868 S**
De Buhr et al. (45) **Date of Patent:** **** *Dec. 15, 2020**

- (54) **BLISTER PACKAGE** 3,074,540 A * 1/1963 Beich A61M 5/002
206/366
- (71) Applicant: **The Gillette Company LLC**, Boston, MA (US) 3,325,000 A * 6/1967 Edwards B65D 1/36
206/256
- (72) Inventors: **Harald De Buhr**, Frankfurt (DE); **Oliver Horst Heilmann**, Schwalbach am Taunus (DE); **Eric Latza**, Schwalbach (DE); **Erwin Mark**, Eschborn (DE); **Martin Marotti**, Carmel, IN (US); **Christian Stief**, Frankfurt (DE); **Craig Wilburn**, West Chester, OH (US) 3,339,713 A * 9/1967 Landau B65D 75/36
206/1.9
3,529,718 A * 9/1970 Zaremski B65D 75/367
206/469
3,812,963 A * 5/1974 Zahuranec B65D 75/366
206/468

(Continued)

Primary Examiner — Lauren R Calve
(74) *Attorney, Agent, or Firm* — Vladimir Vitenberg;
James Ernest Oehlenschlager

(73) Assignee: **The Procter & Gamble Company**, Cincinnati, OH (US)

(*) Notice: This patent is subject to a terminal disclaimer.

(**) Term: **15 Years**

(21) Appl. No.: **29/553,654**

(22) Filed: **Feb. 3, 2016**

(30) **Foreign Application Priority Data**

Aug. 3, 2015 (WO) 912112401

(51) **LOC (12) Cl.** **09-03**

(52) **U.S. Cl.**
USPC **D9/415**

(58) **Field of Classification Search**
USPC D9/414, 415, 420, 422, 424, 425, 428,
D9/429, 433
CPC B65D 75/36; B65D 75/367
See application file for complete search history.

(56) **References Cited**

U.S. PATENT DOCUMENTS

- 1,446,741 A * 2/1923 Faber G09F 5/04
206/1.7
- 2,713,940 A * 7/1955 Putnam B65D 81/133
206/362

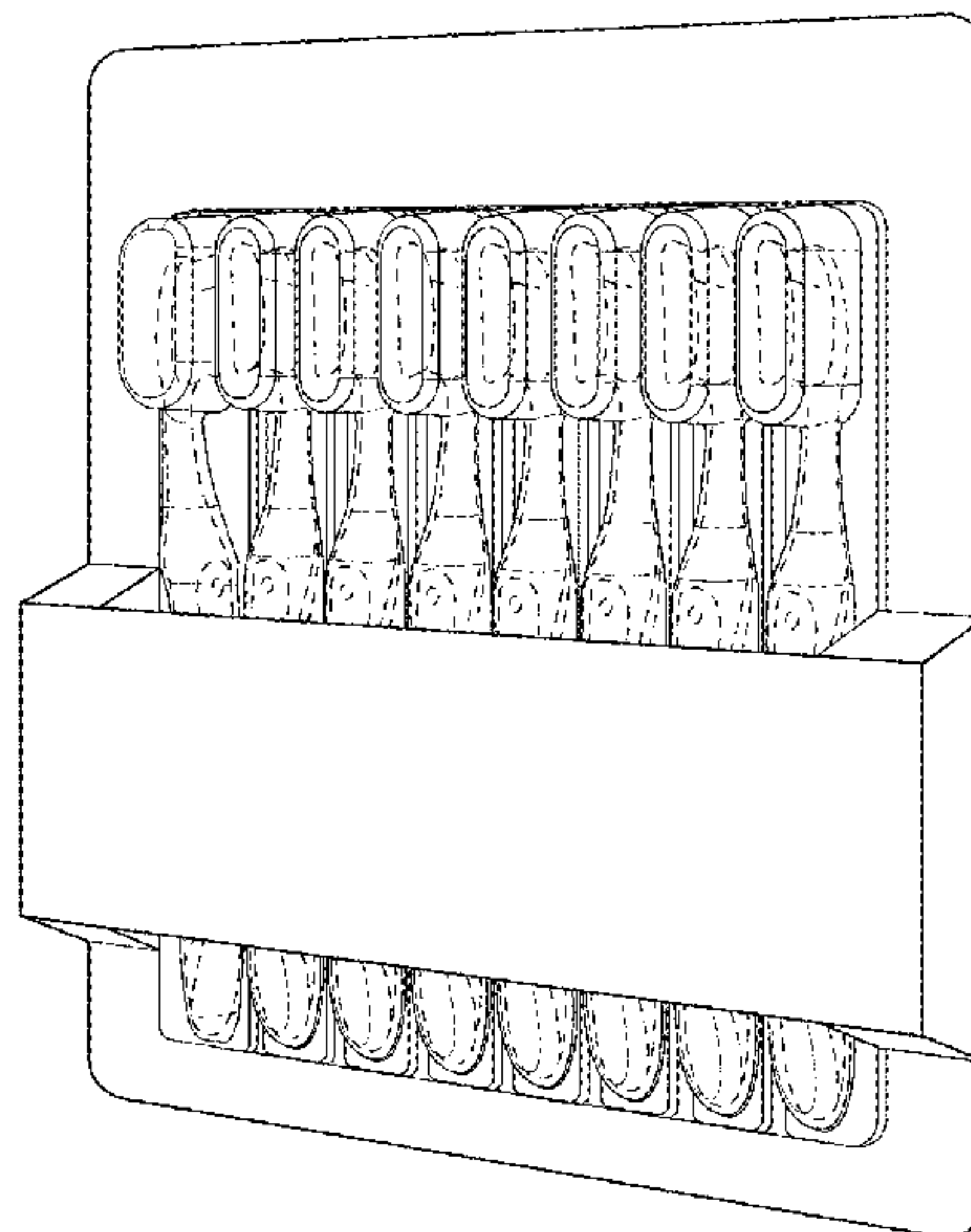
(57) **CLAIM**

The ornamental design for a blister package, as shown and described.

DESCRIPTION

FIG. 1 is a perspective view of a blister package;
FIG. 2 is a front view thereof;
FIG. 3 is a rear view thereof;
FIG. 4 is a left side view thereof;
FIG. 5 is a right side view thereof;
FIG. 6 is a top plan view thereof; and
FIG. 7 is a bottom plan view thereof.
FIG. 8 is a perspective view of a blister package according to a second embodiment;
FIG. 9 is a front view thereof;
FIG. 10 is a rear view thereof;
FIG. 11 is a left side view thereof;
FIG. 12 is a right side view thereof;
FIG. 13 is a top plan view thereof; and,
FIG. 14 is a bottom plan view thereof.
The broken lines do not form any part of the claimed design.

1 Claim, 10 Drawing Sheets



(56)

References Cited

U.S. PATENT DOCUMENTS

RE31,571 E * 5/1984 Mann B65D 75/66
206/443
D290,584 S * 6/1987 Lotterer D9/415
D294,465 S * 3/1988 Hill D9/415
D295,833 S * 5/1988 Roth D9/415
D306,404 S * 3/1990 Hill D9/415
D365,984 S * 1/1996 Hofmann D9/415
D434,647 S * 12/2000 Appelbaum D9/415
D626,855 S * 11/2010 Chiang D9/415
9,155,601 B2 * 10/2015 Le B65D 71/50
D761,664 S * 7/2016 Rodriguez D9/732
D798,733 S * 10/2017 Bourget D9/643
2003/0116459 A1 * 6/2003 Sarkar B65D 75/36
206/362.1
2004/0182733 A1 * 9/2004 Dunlap A46B 15/0091
206/459.1
2010/0300927 A1 * 12/2010 Ouimette B65D 75/367
206/702
2014/0166515 A1 * 6/2014 Nguyen B65D 75/367
206/368
2017/0190490 A1 * 7/2017 Mark B65D 73/0021
2017/0233156 A1 * 8/2017 Shukla B65D 75/367
206/469

* cited by examiner

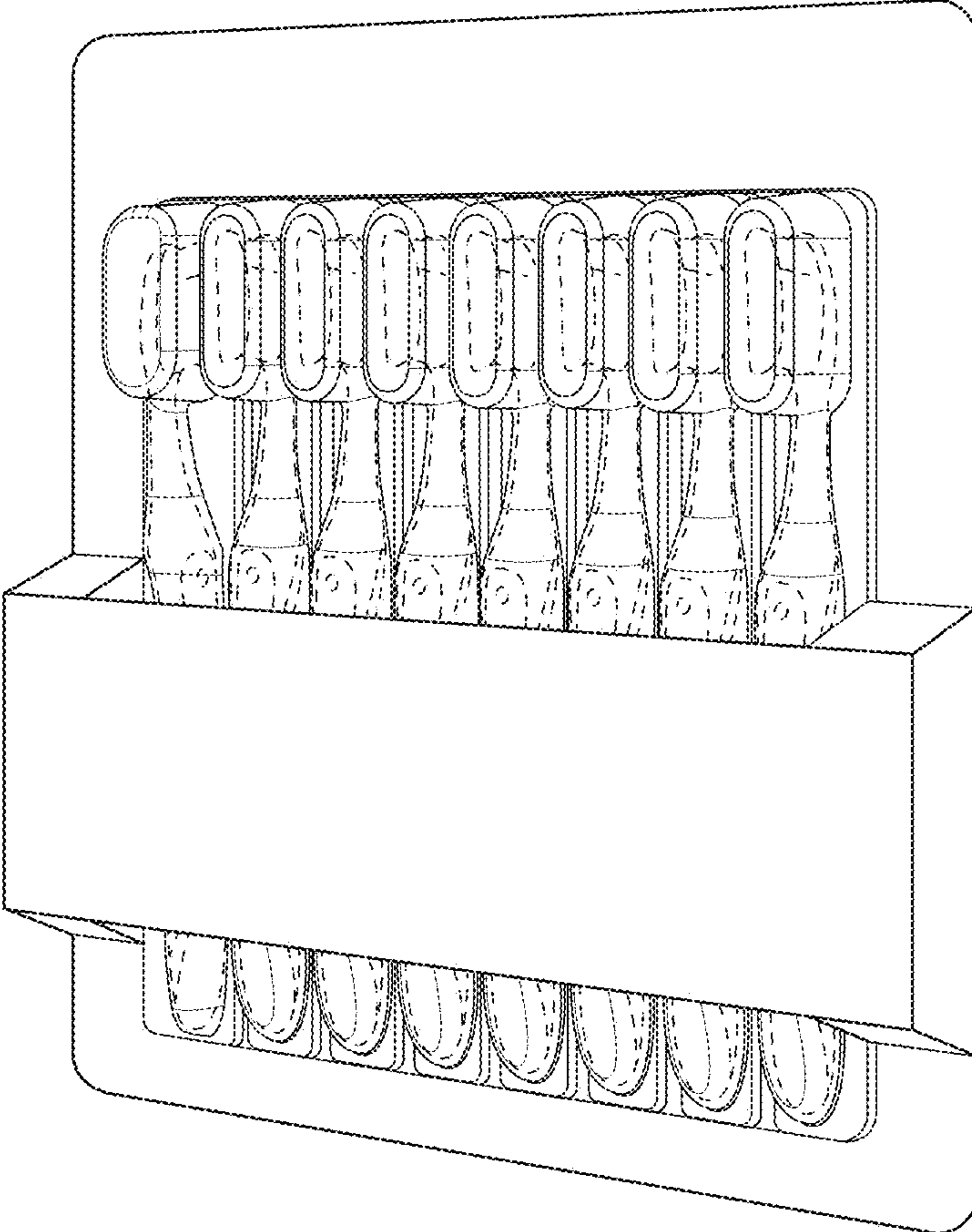


FIG. 1

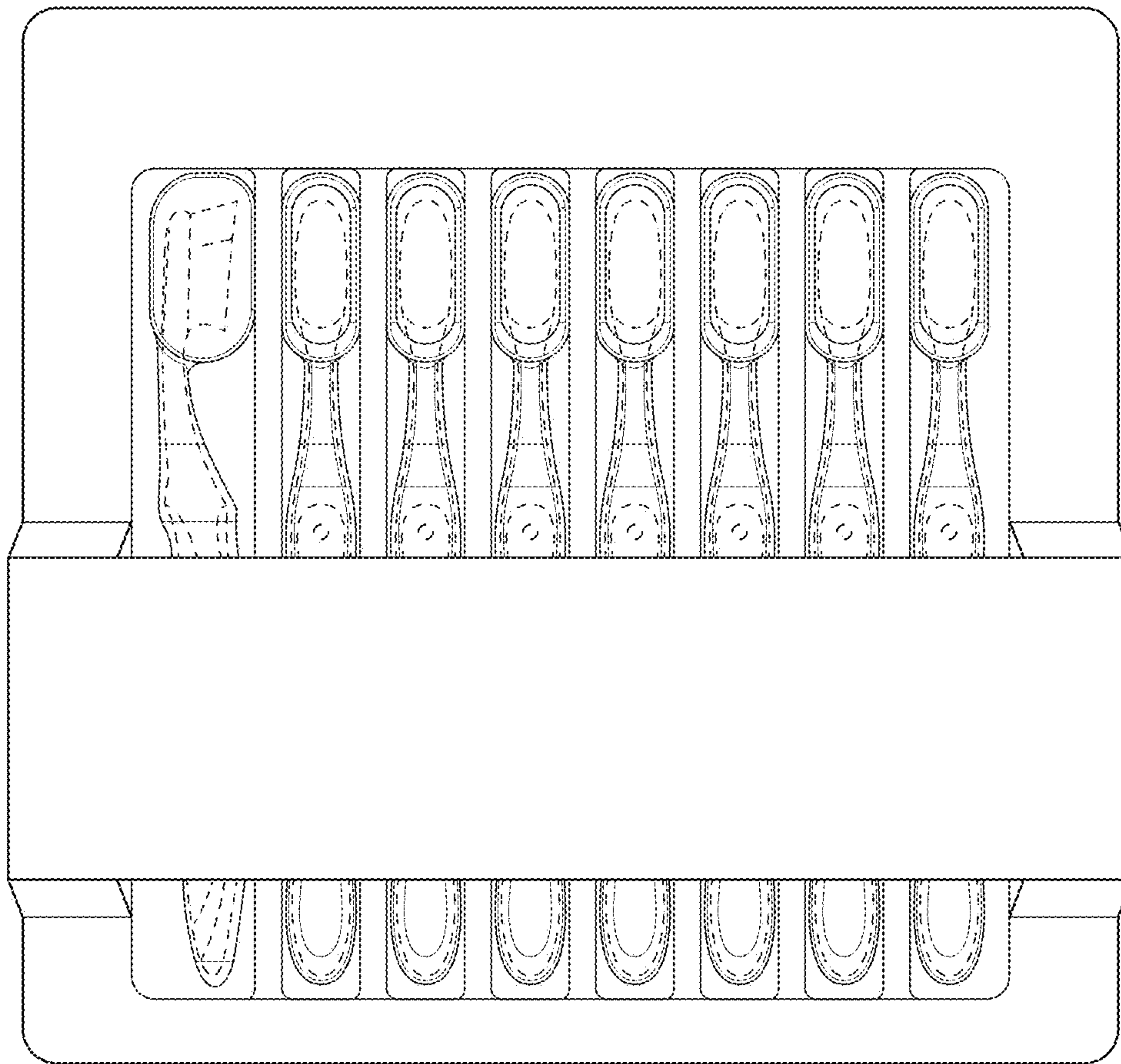


FIG. 2

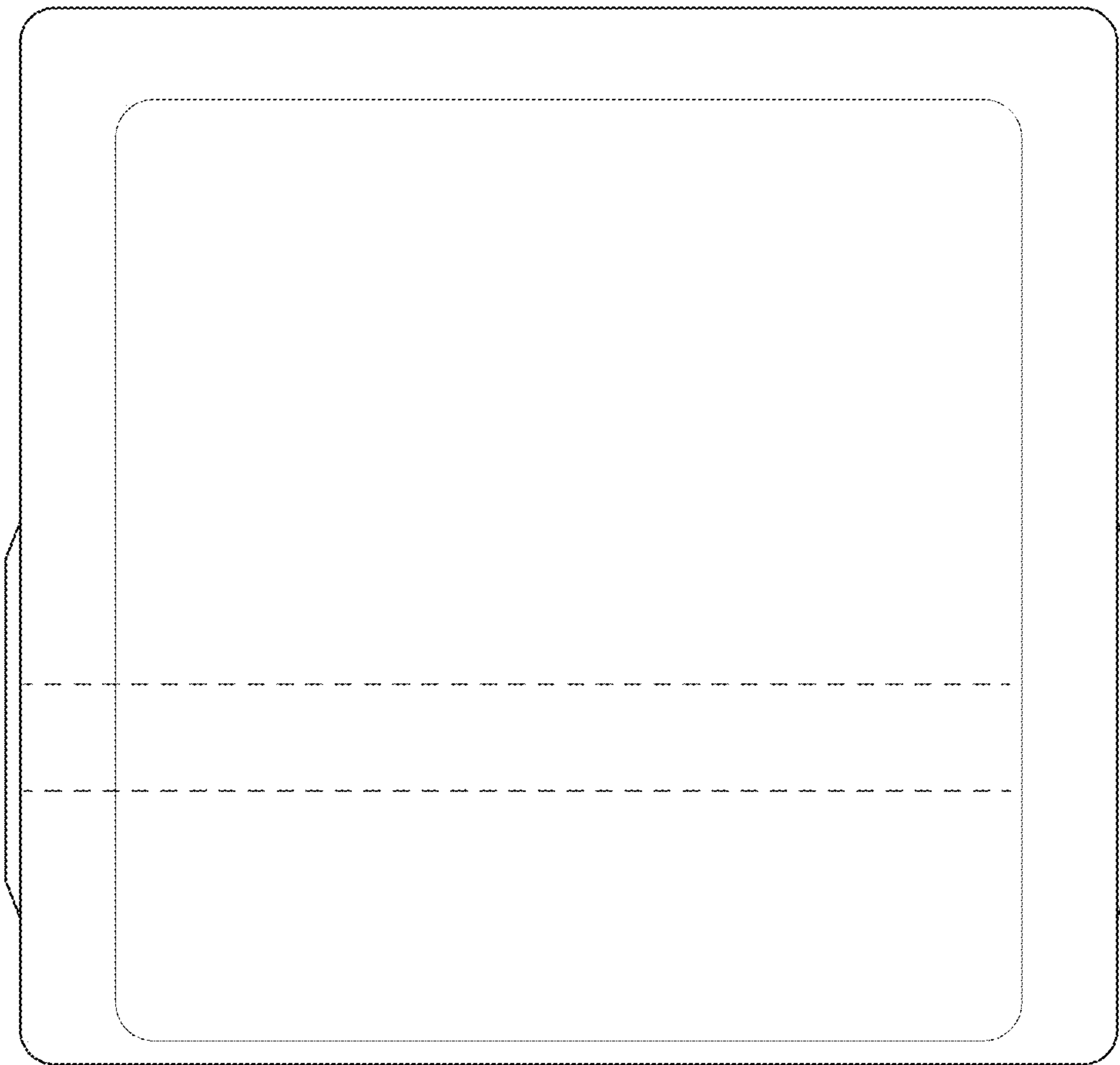


FIG. 3



FIG. 4

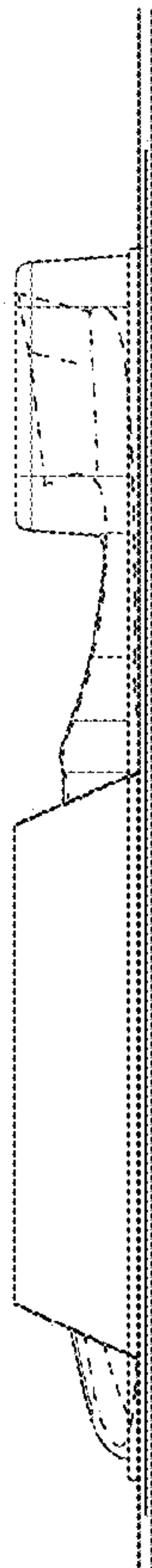


FIG. 5



FIG. 6



FIG. 7

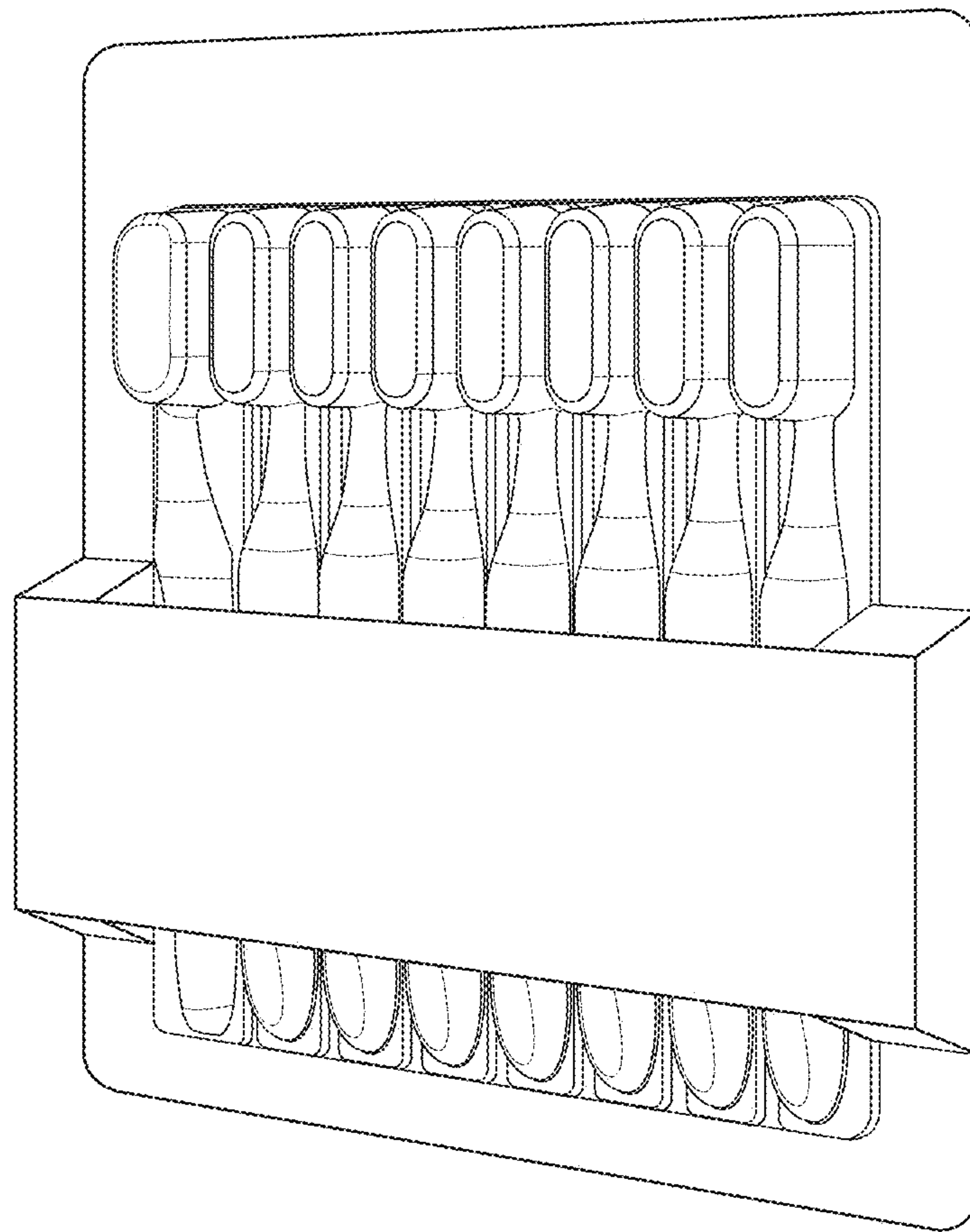


FIG. 8

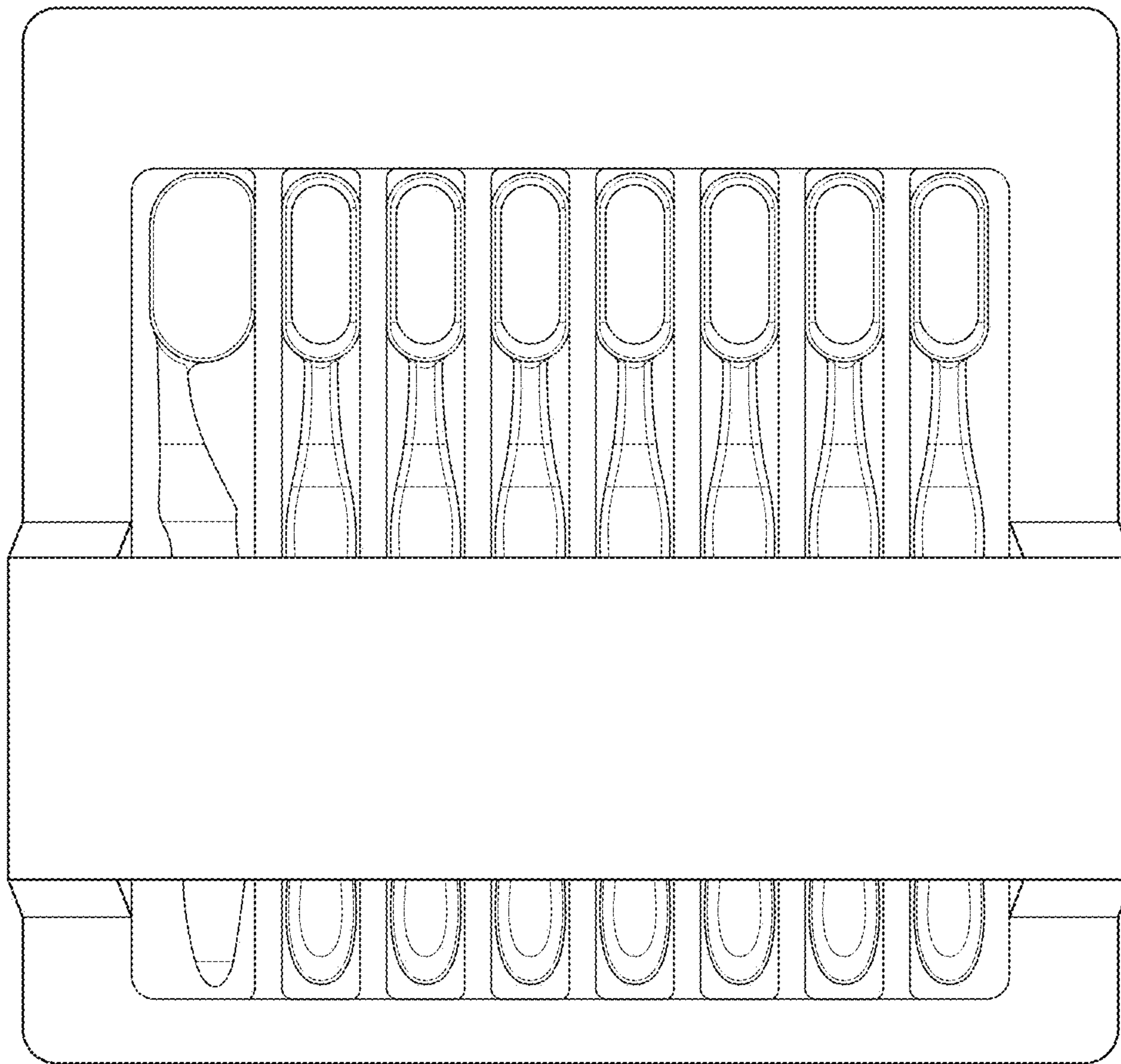


FIG. 9

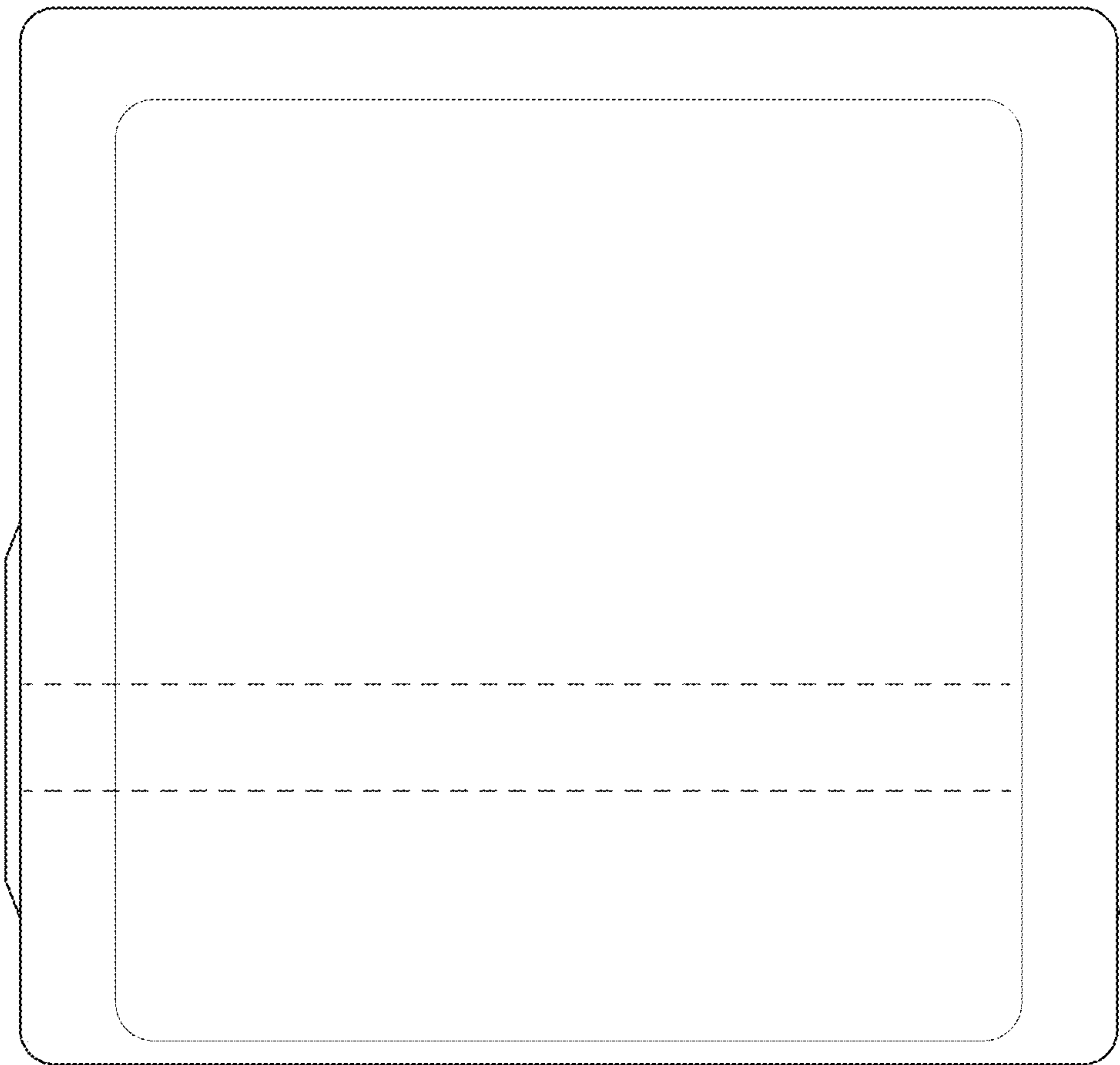


FIG. 10



FIG. 11

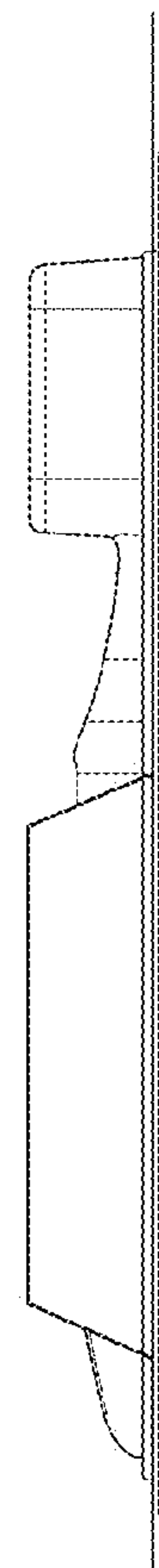


FIG. 12

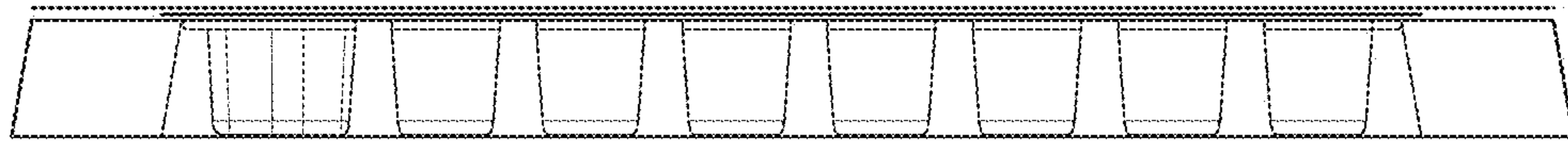


FIG. 13

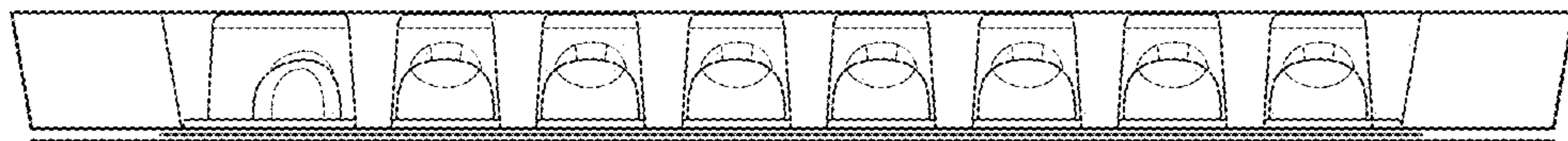


FIG. 14