



US00D904865S

(12) **United States Design Patent**
Buczynski

(10) **Patent No.:** **US D904,865 S**

(45) **Date of Patent:** **** Dec. 15, 2020**

- (54) **NUT RETAINER**
- (71) Applicant: **ILLINOIS TOOL WORKS INC.**,
Glenview, IL (US)
- (72) Inventor: **Gregory George Buczynski**, Ferndale,
MI (US)
- (73) Assignee: **Illinois Tool Works Inc.**, Glenview, IL
(US)

7,226,260 B2	6/2007	Jackson, Jr. et al.	
D572,580 S	7/2008	Machida	
7,399,151 B2 *	7/2008	Lubera	F16B 5/065 24/289
7,568,870 B2	8/2009	Parquet	
7,640,634 B2	1/2010	Vassiliou	
D616,851 S	6/2010	Roka	
7,874,775 B2 *	1/2011	Hullmann	F16B 37/043 411/173
D639,260 S	6/2011	Carroll	
8,155,692 B1	4/2012	Roka	

(Continued)

(**) Term: **15 Years**

Primary Examiner — Cynthia R Underwood

(21) Appl. No.: **29/703,072**

(74) *Attorney, Agent, or Firm* — Quarles & Brady LLP

(22) Filed: **Aug. 23, 2019**

(57) **CLAIM**

(51) **LOC (12) Cl.** **08-08**

The ornamental design for a nut retainer, as shown and described.

(52) **U.S. Cl.**

USPC **D8/397**

(58) **Field of Classification Search**

DESCRIPTION

USPC D8/397, 394, 382, 349, 399, 387, 70, 29,
D8/83, 86, 395; 411/376.2, 84, 446, 399,
411/490, 455, 377, 173; D23/259, 260
CPC F01N 13/009; F16B 37/068; F16B 3/002;
F16B 41/002; F16B 5/0208; F16B
23/0061; F16B 31/02; F16B 37/02
See application file for complete search history.

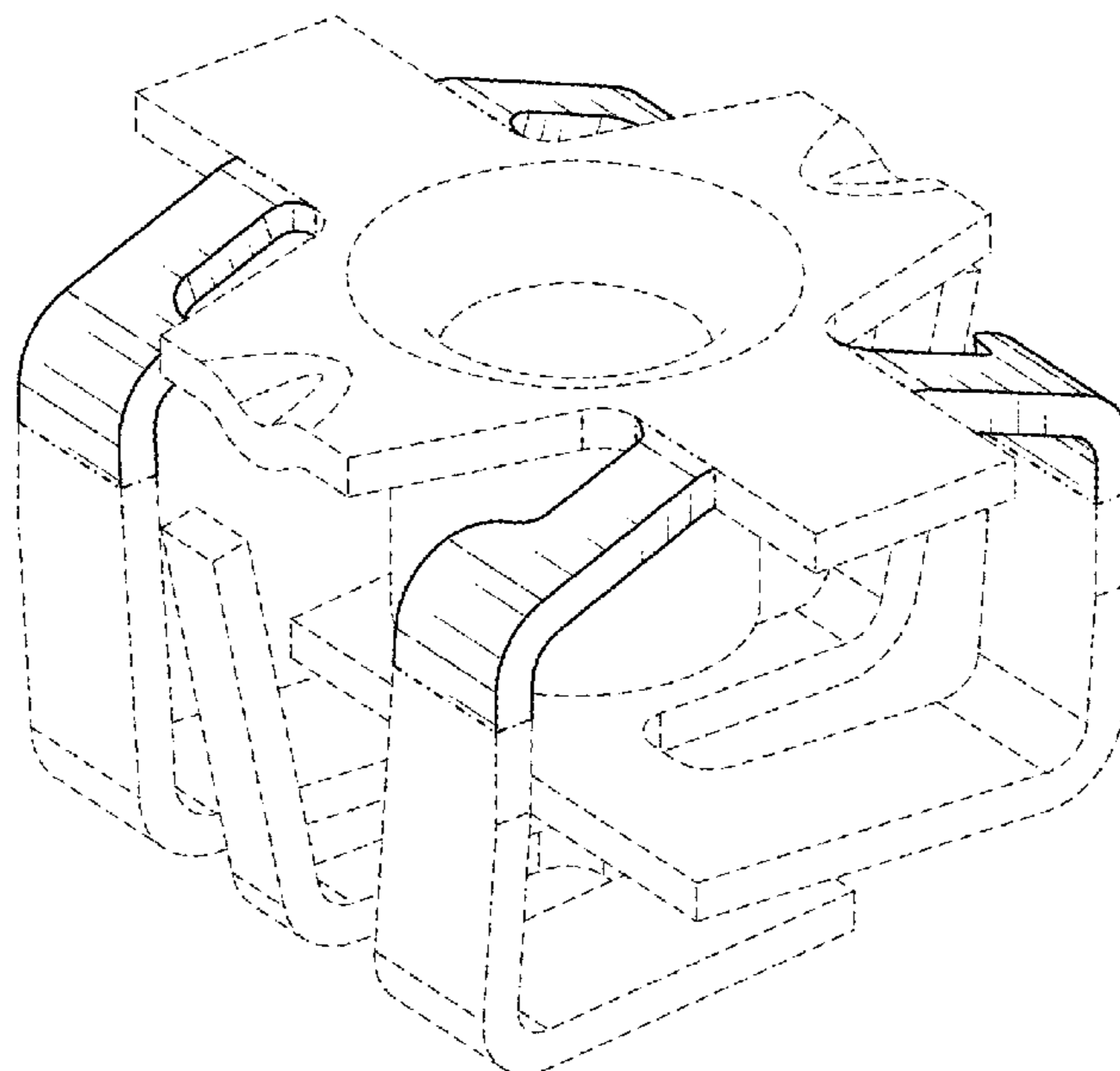
FIG. 1 is an isometric view of a top, front, and left side of an ornamental design for a nut retainer;
FIG. 2 is an isometric view of a bottom, rear, and right side of the nut retainer of FIG. 1;
FIG. 3 is a left side elevational view of the nut retainer of FIG. 1;
FIG. 4 is a right side elevational view of the nut retainer of FIG. 1;
FIG. 5 is a rear elevational view of the nut retainer of FIG. 1;
FIG. 6 is a front elevational view of the nut retainer of FIG. 1;
FIG. 7 is a top plan view of the nut retainer of FIG. 1; and,
FIG. 8 is a bottom plan view of the nut retainer of FIG. 1.
The dash-dash-dash broken lines are included for the purpose of illustrating portions that form no part of the claimed design. The dash-dot-dash lines depict boundary lines and form no part of the claimed design.

(56) **References Cited**

U.S. PATENT DOCUMENTS

D274,674 S	7/1984	Allen	
5,919,019 A	7/1999	Fischer	
6,203,240 B1	3/2001	Hironaka et al.	
D477,318 S	7/2003	Shiao	
6,629,809 B2	10/2003	Vassiliou	
6,745,440 B2	6/2004	Vassiliou	
6,893,197 B2 *	5/2005	Lee	F16B 37/044 411/111
7,120,971 B2	10/2006	Osterland et al.	
D537,814 S	3/2007	Okada et al.	
D538,790 S	3/2007	Okada et al.	

1 Claim, 4 Drawing Sheets



(56)

References Cited

U.S. PATENT DOCUMENTS

8,371,544 B2 *	2/2013	Heitmeyer	F16L 3/10 248/229.1	9,746,018 B2 *	8/2017	Williams	F16B 37/041
8,790,056 B2	7/2014	Fuentes Domingo et al.			9,826,810 B2 *	11/2017	Singer	A45C 1/06
8,800,120 B2	8/2014	Benedetti			D806,529 S *	1/2018	Olenick	D8/399
D715,686 S *	10/2014	Crafton	D11/202	D808,787 S *	1/2018	Kinsky	D8/395
D716,137 S *	10/2014	Szymanski	D8/395	D818,811 S *	5/2018	Hattori	D8/397
D740,113 S *	10/2015	Olenick	D8/399	D825,571 S	8/2018	Shannon, III		
9,284,968 B2 *	3/2016	Clouser	F16B 3/00	D838,866 S *	1/2019	Keller	D25/133
D757,533 S *	5/2016	Ormsbee	D8/395	D869,265 S *	12/2019	Matsufuji	D8/399
D759,475 S *	6/2016	Banno	D8/395	D873,128 S *	1/2020	Lu	D8/397
9,440,596 B2	9/2016	Huelke et al.			D874,913 S *	2/2020	Buczynski	D8/395
9,562,554 B2	2/2017	Vidal et al.			D879,104 S	3/2020	Li		
D782,928 S	4/2017	Takakuwa et al.			D879,105 S	3/2020	Li		
D782,930 S	4/2017	Takakuwa et al.			D888,546 S *	6/2020	Buczynski	D8/395
9,631,650 B2 *	4/2017	Wottrich	F16B 2/04	D891,240 S *	7/2020	Buczynski	D8/395
9,631,662 B2	4/2017	Boyer et al.			D891,241 S *	7/2020	Buczynski	D8/395
D787,173 S *	5/2017	Parnell	B62B 3/1472 D3/10	2004/0093701 A1 *	5/2004	Dickinson	F16B 5/0614 24/294
D788,329 S *	5/2017	Bizzarri	E04H 17/1421 D25/133	2006/0254032 A1 *	11/2006	Gibbons	B60R 13/0206 24/295
					2006/0288543 A1 *	12/2006	Lubera	B60R 13/0212 24/295
					2010/0026028 A1	2/2010	Smith et al.		

* cited by examiner

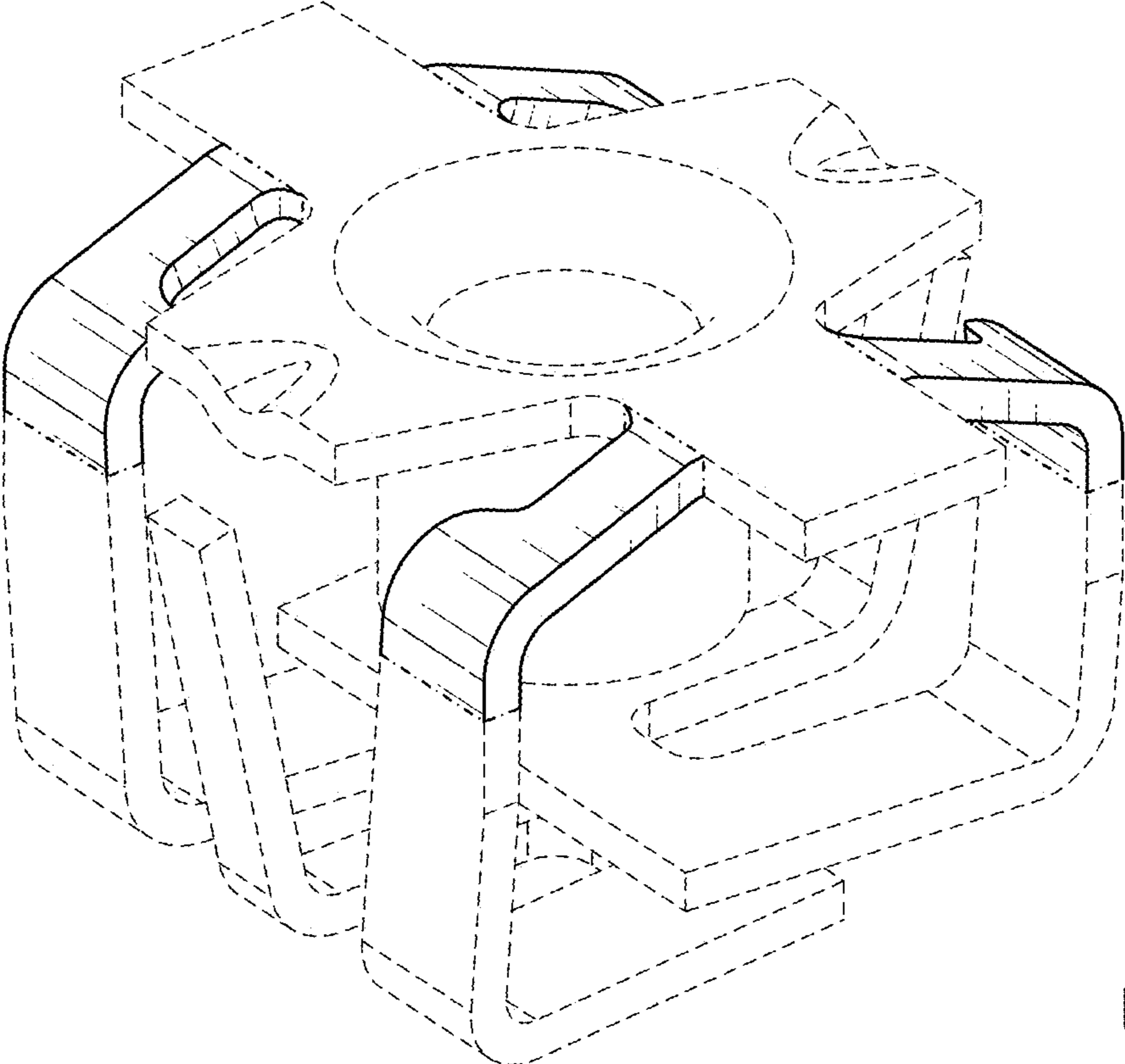


FIG. 1

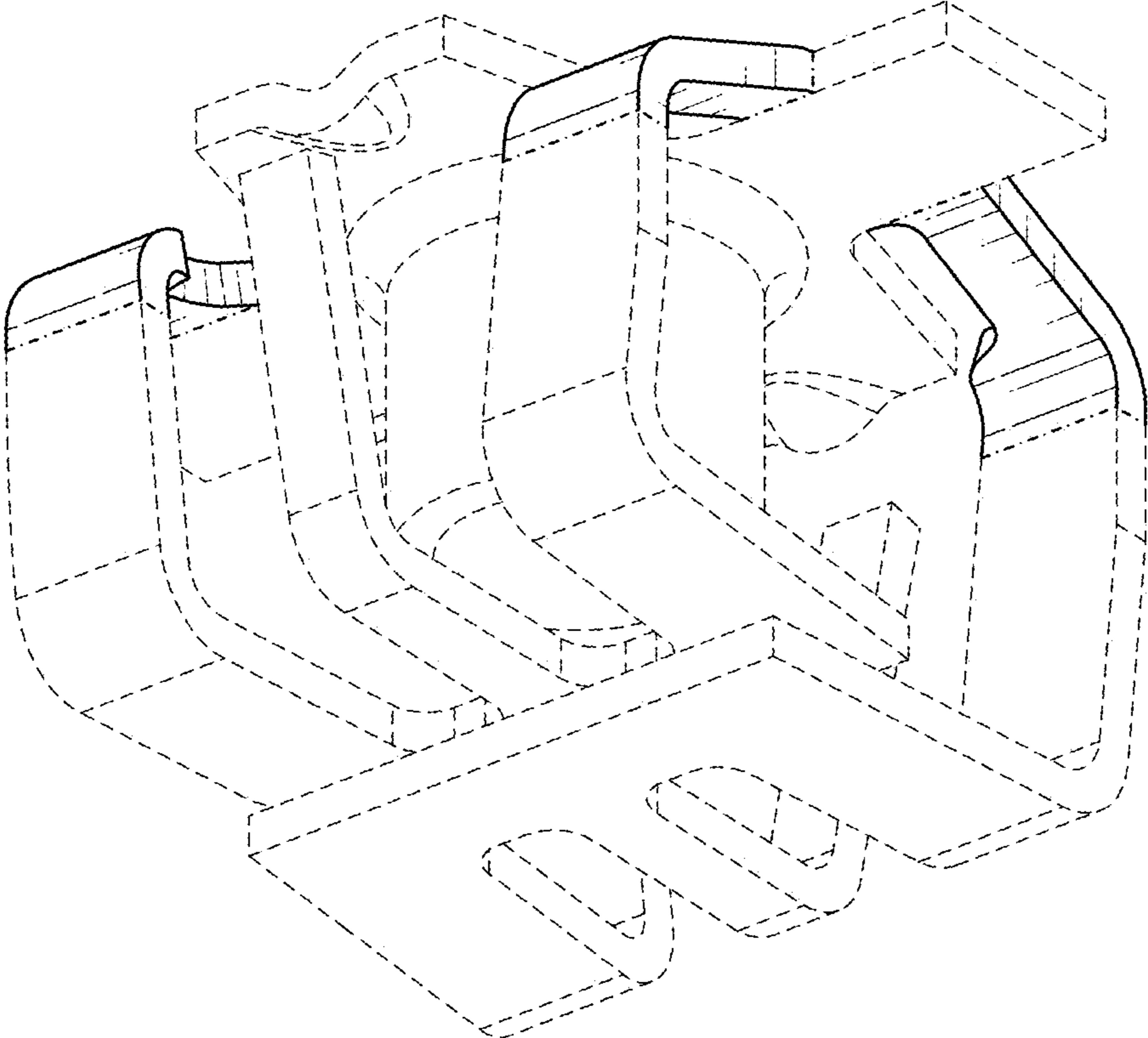


FIG. 2

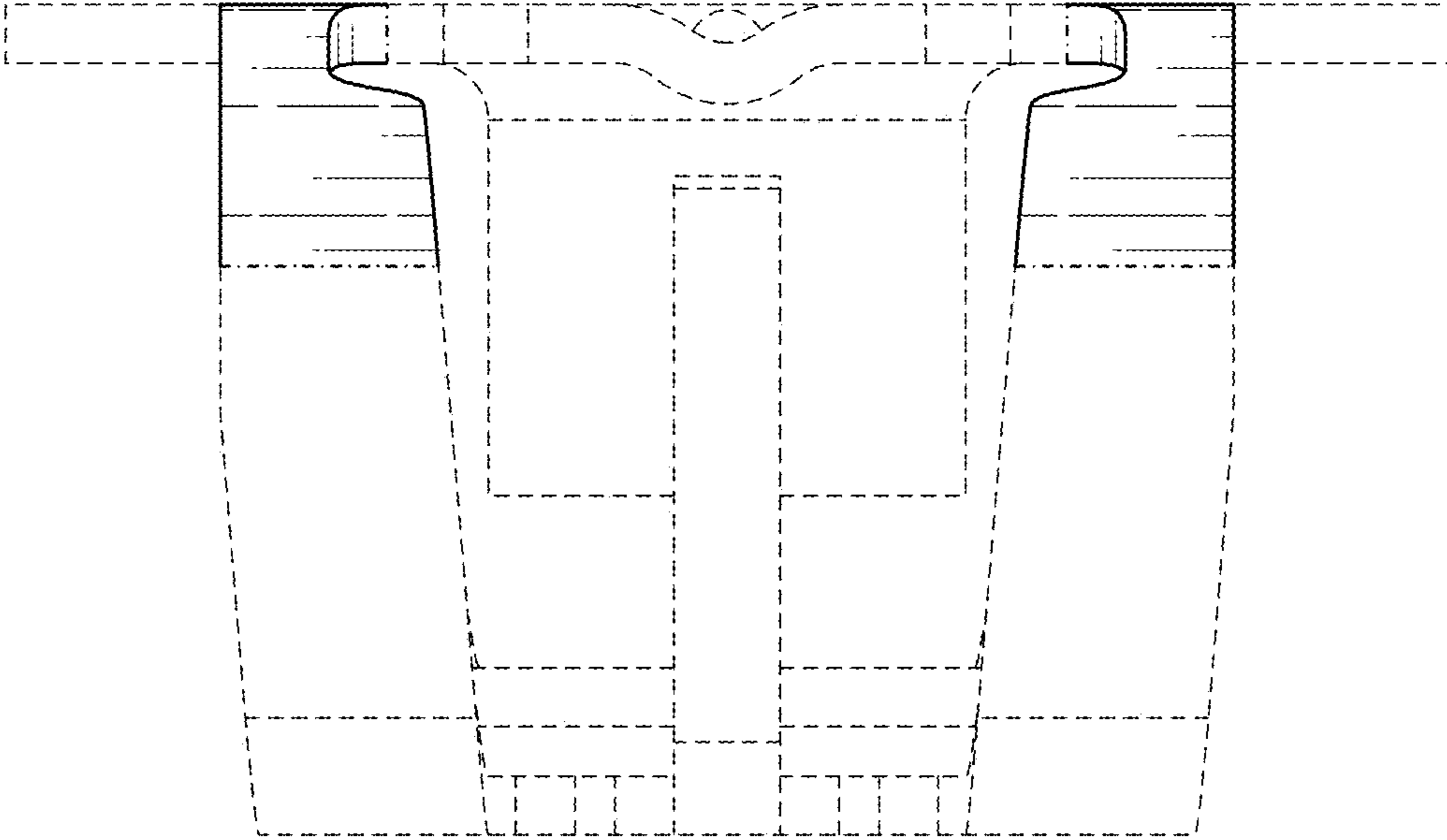


FIG. 3

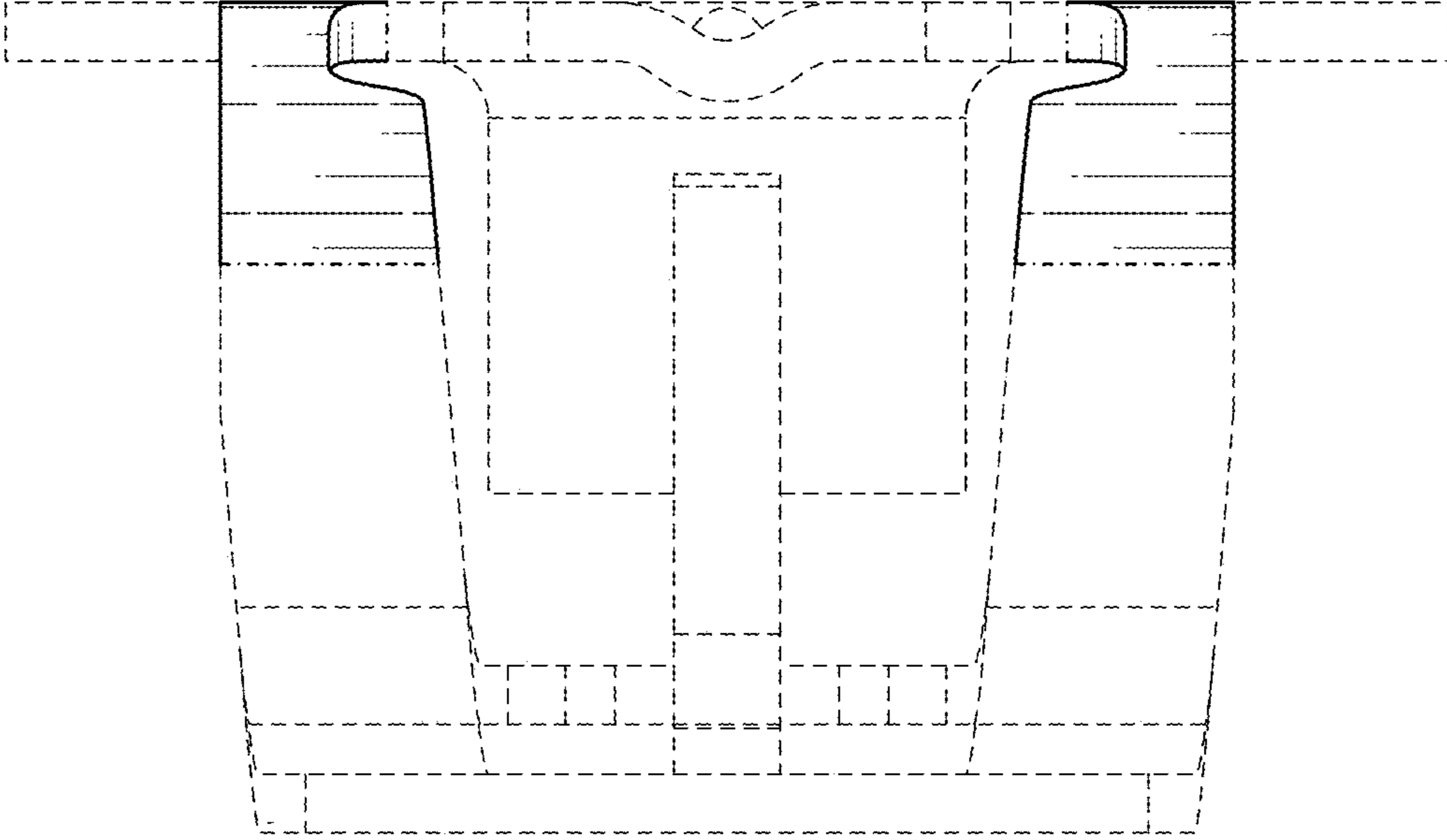


FIG. 4

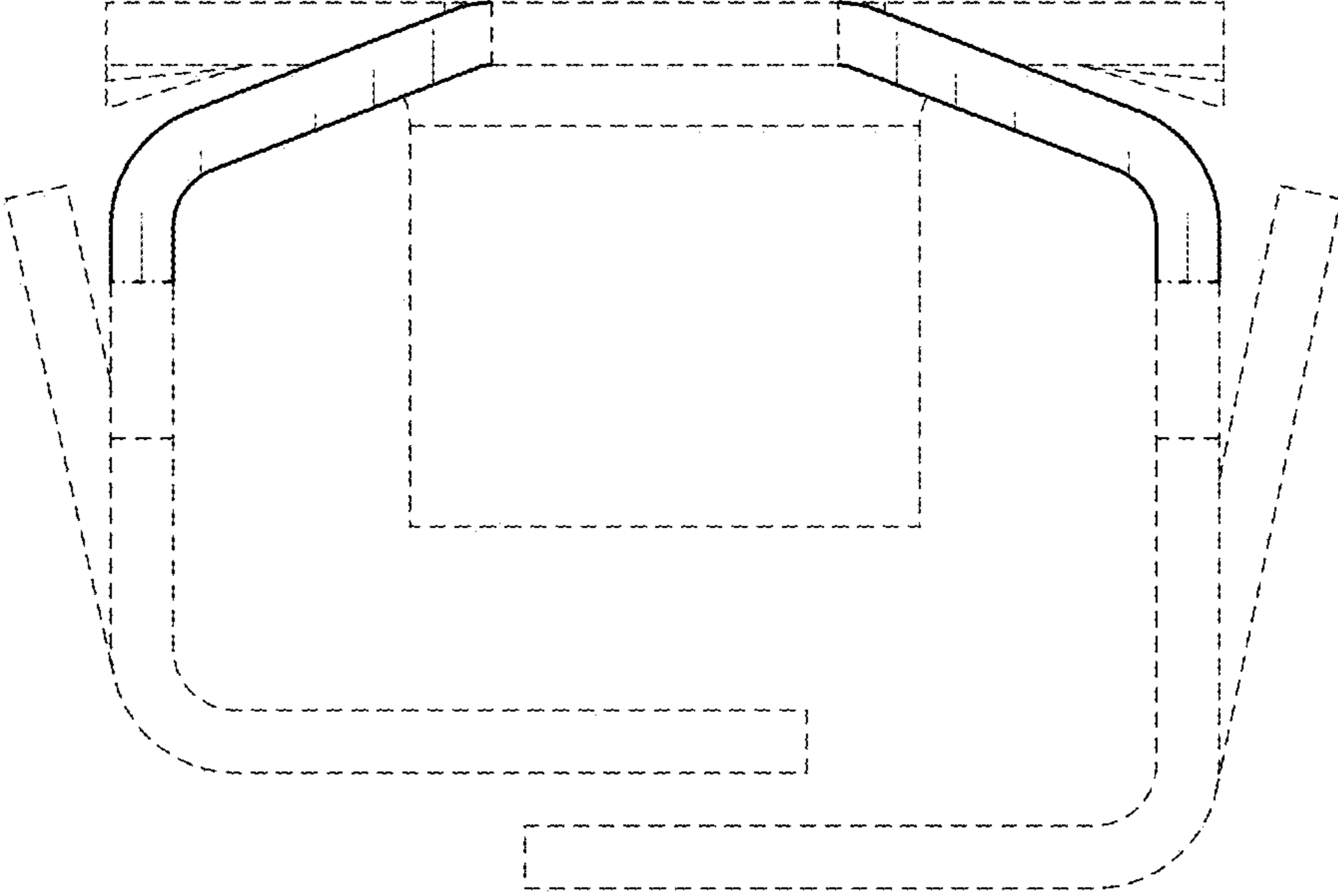


FIG. 5

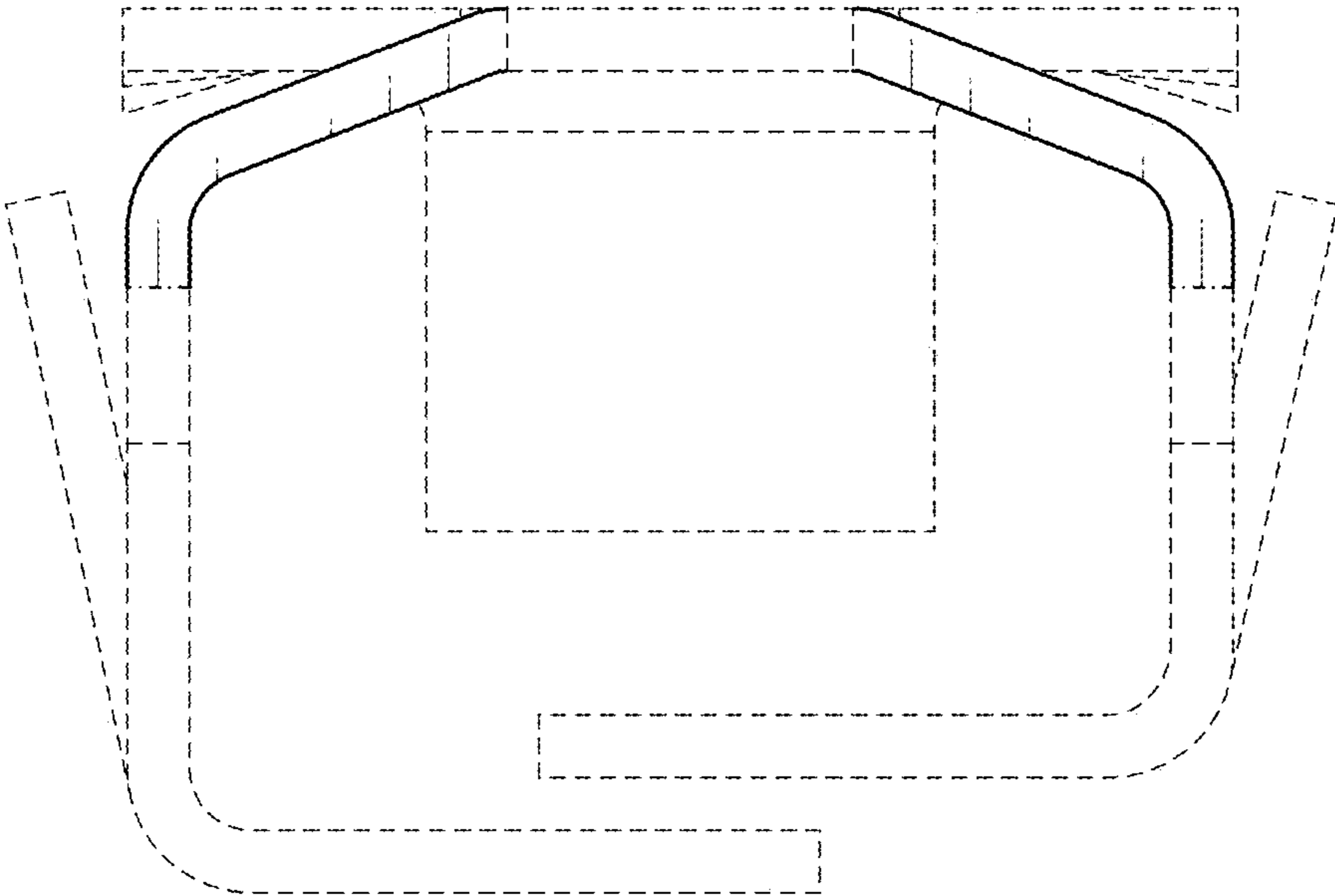


FIG. 6

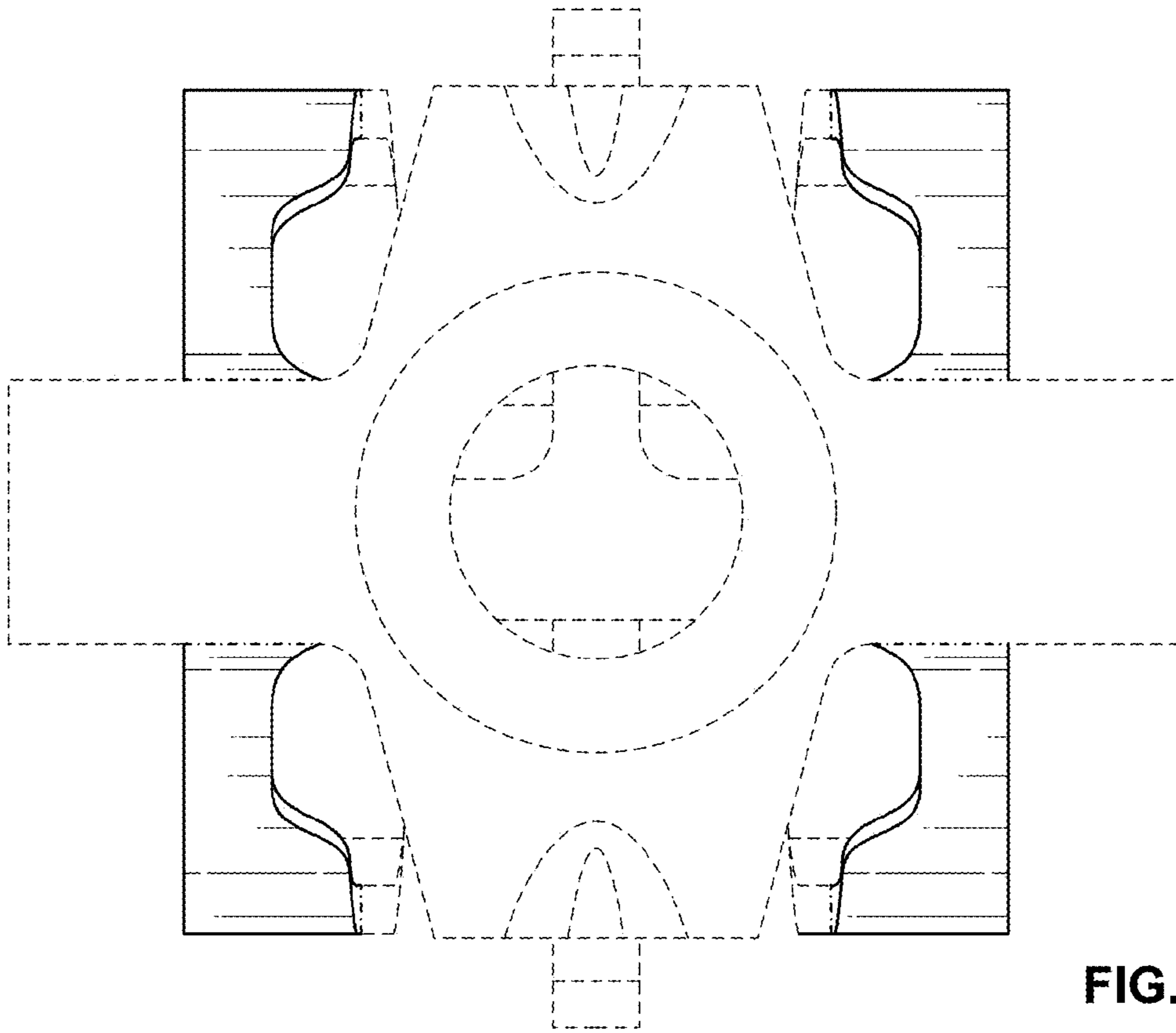


FIG. 7

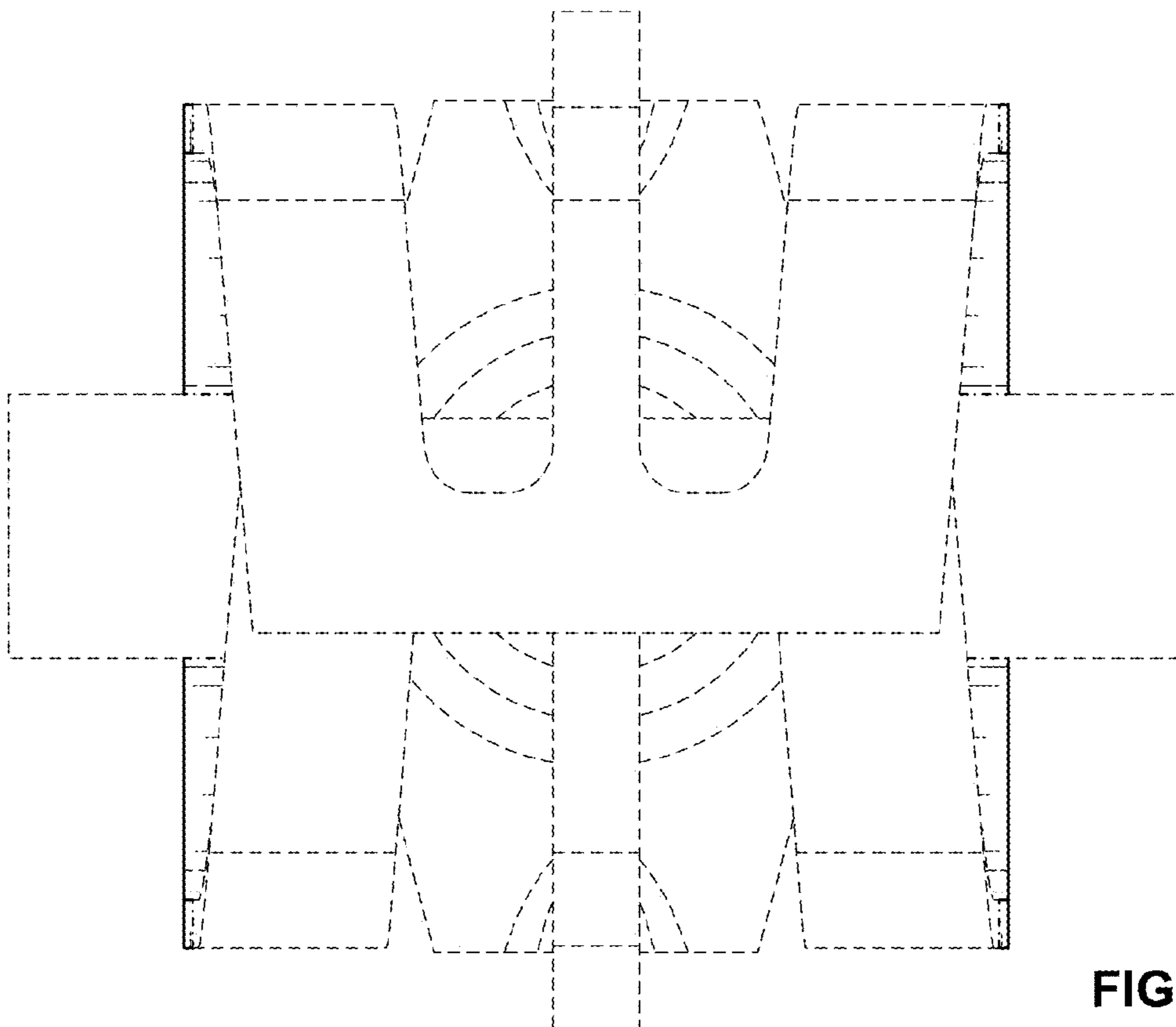


FIG. 8