

US00D904864S

(12) **United States Design Patent**  
**Kampl et al.**

(10) **Patent No.:** **US D904,864 S**

(45) **Date of Patent:** **\*\* Dec. 15, 2020**

(54) **DRAWER SYNCHRONIZING ELEMENT**

(71) Applicant: **Julius Blum GmbH**, Hoechst (AT)

(72) Inventors: **Markus Kampl**, Dornbirn (AT); **Tobias Hornikel**, Tettwang (DE)

(73) Assignee: **Julius Blum GmbH**, Hoechst (AT)

(\*\*) Term: **15 Years**

(21) Appl. No.: **29/653,706**

(22) Filed: **Jun. 18, 2018**

(30) **Foreign Application Priority Data**

Dec. 22, 2017 (EM) ..... 4562304-0035  
Dec. 22, 2017 (EM) ..... 4562304-0037

(51) **LOC (12) Cl.** ..... **08-05**

(52) **U.S. Cl.**  
USPC ..... **D8/377**

(58) **Field of Classification Search**  
USPC ..... D8/376, 377, 380, 394  
CPC .... A47H 88/41; A47H 88/423; A47H 88/427;  
A47H 88/453; A47H 88/473; A47H  
88/938  
See application file for complete search history.

(56) **References Cited**

**U.S. PATENT DOCUMENTS**

D218,321 S \* 8/1970 Ley ..... D8/374  
5,092,386 A \* 3/1992 Spohr ..... E06B 9/365  
160/168.1 R

D413,507 S \* 9/1999 Wu ..... D8/377  
D436,842 S \* 1/2001 Anderson ..... D8/382  
D442,077 S \* 5/2001 Crooks ..... D8/374  
D444,698 S \* 7/2001 Anderson ..... D8/377  
6,325,473 B1 \* 12/2001 Brustle ..... A47B 88/487  
312/334.13  
7,625,051 B1 \* 12/2009 Kim ..... A47B 88/43  
312/334.27  
8,911,037 B2 \* 12/2014 Hightower ..... A47B 88/423  
16/94 R  
D729,611 S \* 5/2015 Schmidt ..... D8/349  
2004/0104651 A1 \* 6/2004 Kreft ..... A47B 88/43  
312/334.13  
2010/0283365 A1 \* 11/2010 Chen ..... A47B 88/487  
312/334.4

\* cited by examiner

*Primary Examiner* — John Windmuller

(74) *Attorney, Agent, or Firm* — Wenderoth, Lind & Ponack, L.L.P.

(57) **CLAIM**

The ornamental design for a drawer synchronizing element, as shown and described.

**DESCRIPTION**

FIG. 1 is a front perspective view of a drawer synchronizing element;  
FIG. 2 is a front view thereof;  
FIG. 3 is a bottom view thereof;  
FIG. 4 is a left side view thereof;  
FIG. 5 is a top view thereof;  
FIG. 6 is a right side view thereof; and,  
FIG. 7 is a rear view thereof.

**1 Claim, 7 Drawing Sheets**

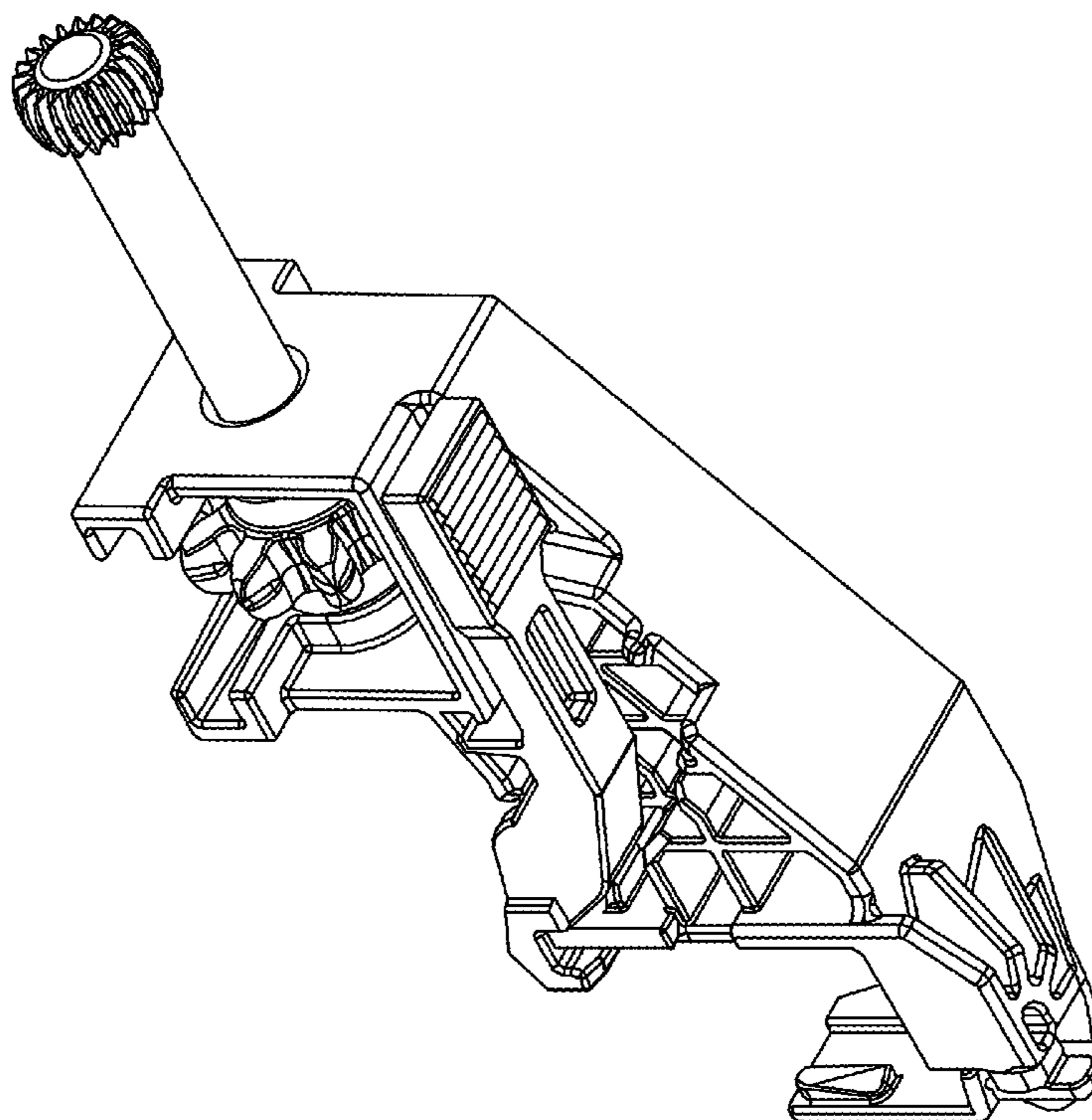


FIG. 1

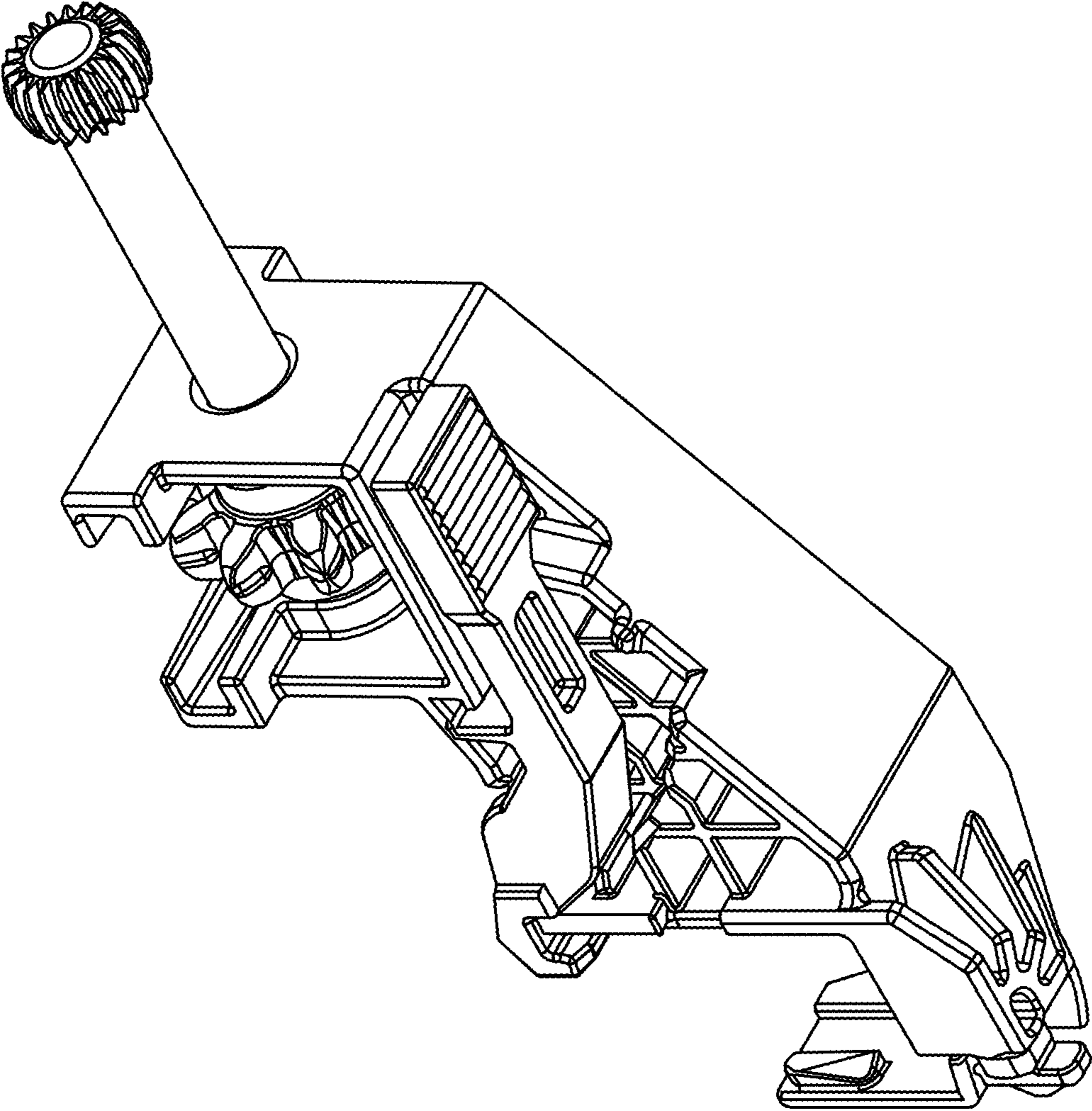


FIG. 2

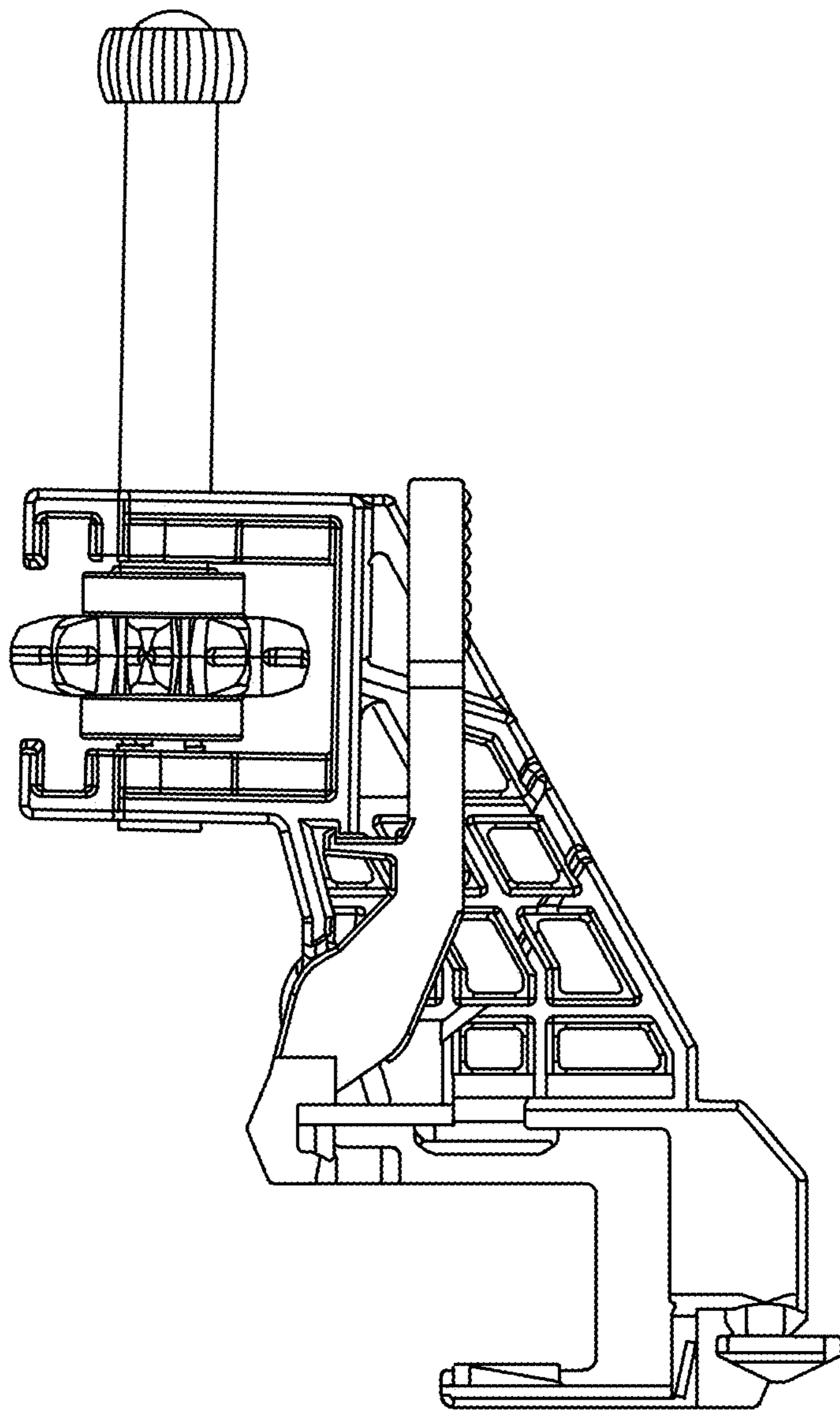


FIG. 3

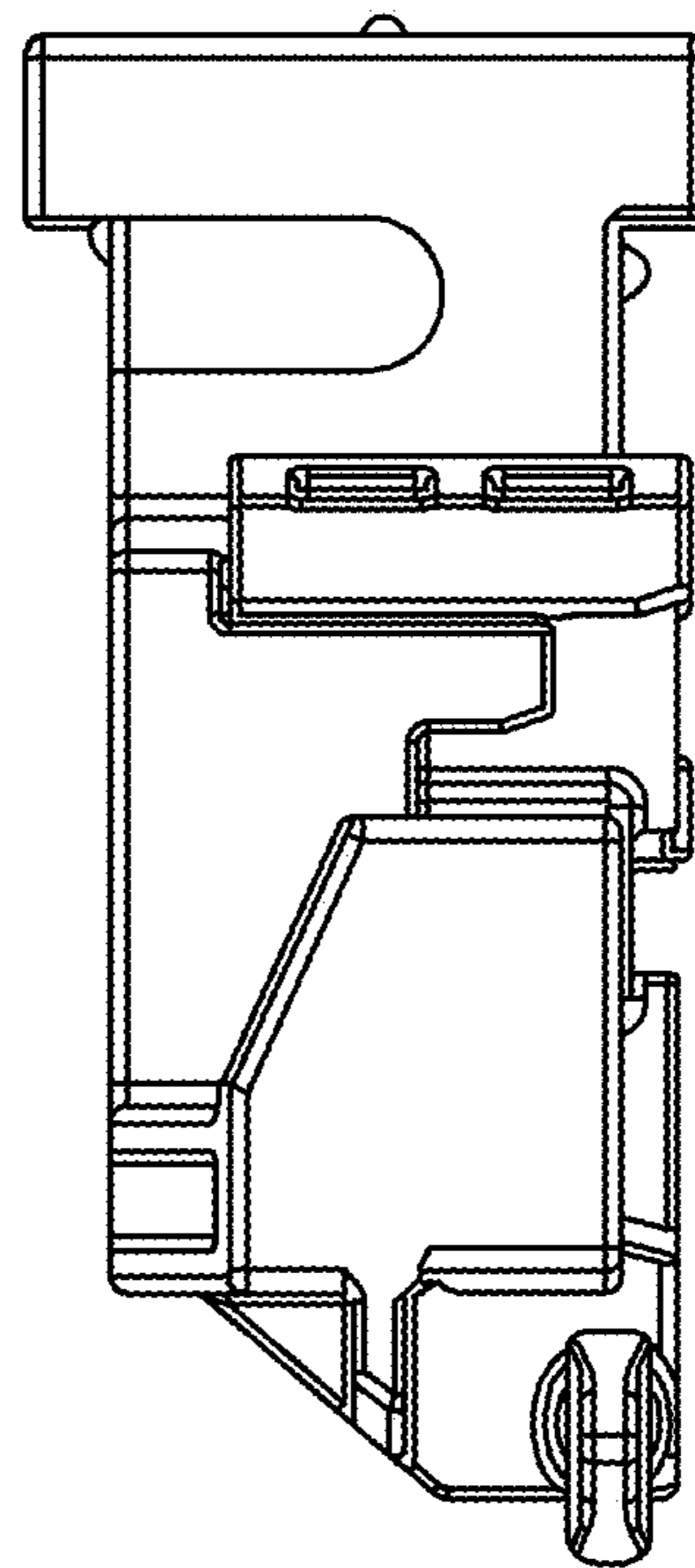


FIG. 4

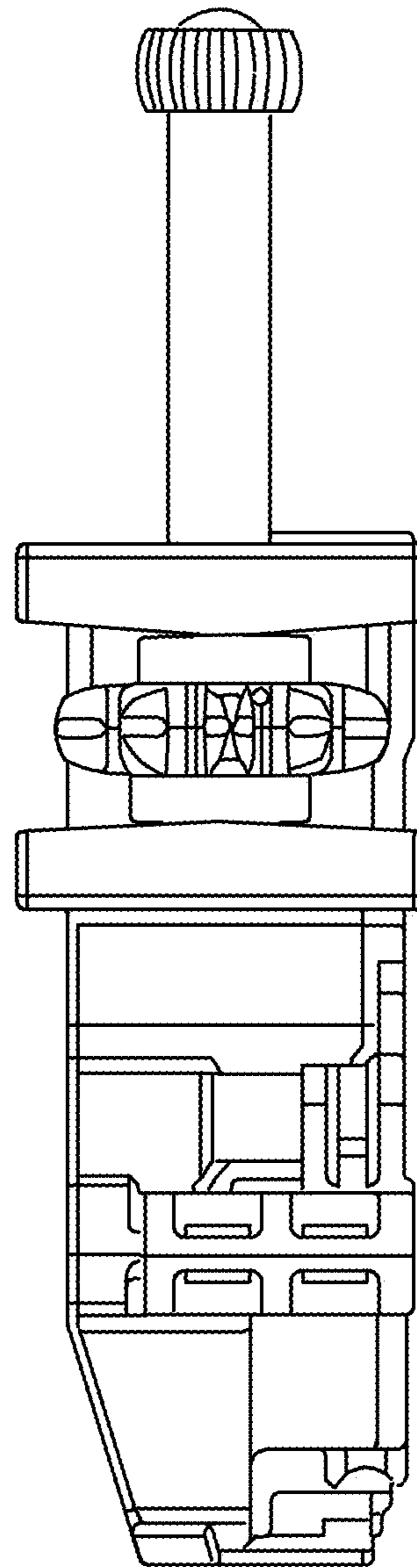


FIG. 5

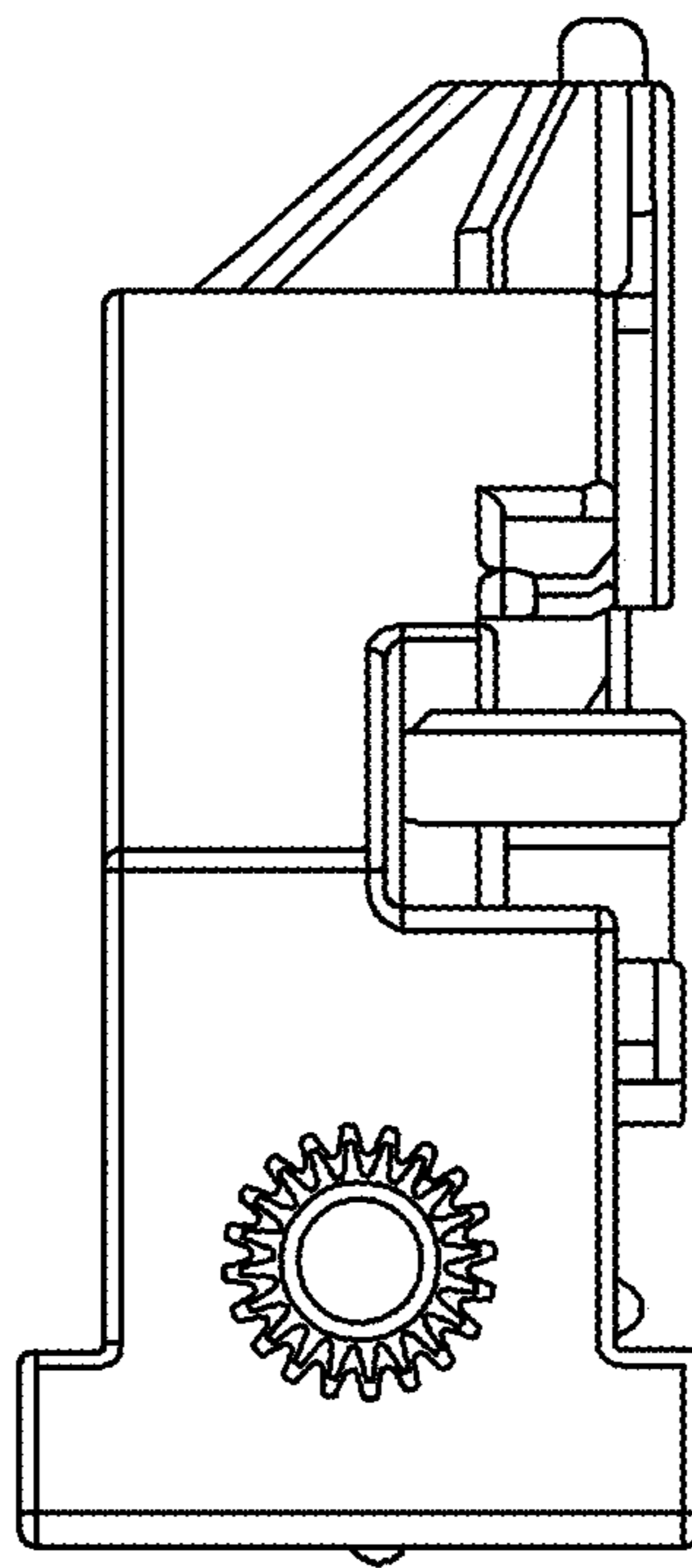


FIG. 6

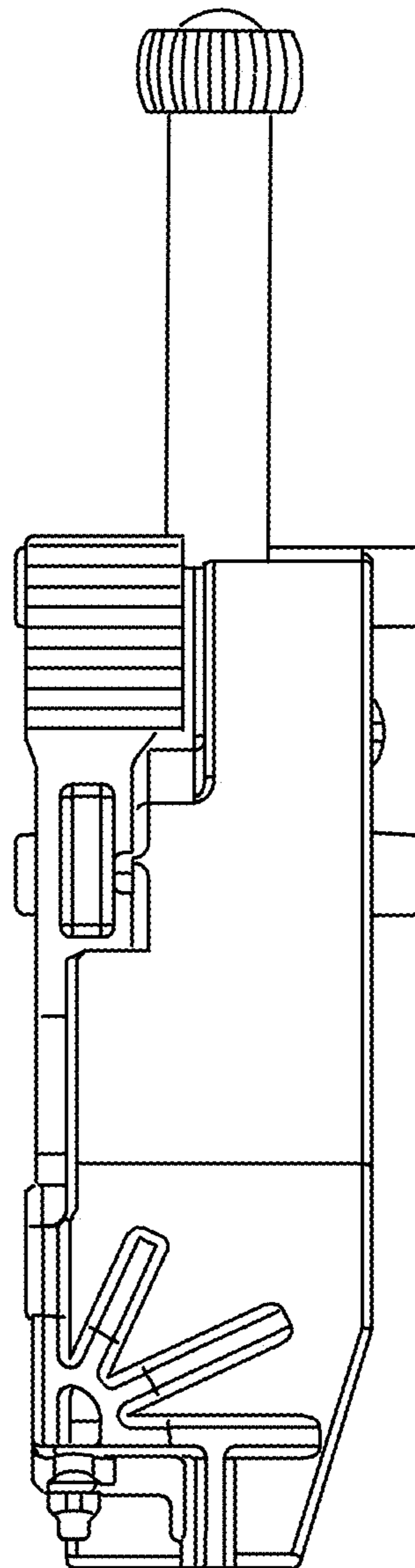


FIG. 7

