



US00D904863S

(12) **United States Design Patent**  
**Schweiss**

(10) **Patent No.:** **US D904,863 S**

(45) **Date of Patent:** **\*\* Dec. 15, 2020**

(54) **STRAP LIFT DRUM**

(71) Applicant: **Michael L. Schweiss**, Fairfax, MN  
(US)

(72) Inventor: **Michael L. Schweiss**, Fairfax, MN  
(US)

(73) Assignee: **SORREL QUARTERS, LLC**, Hector,  
MN (US)

(\*\*) Term: **15 Years**

(21) Appl. No.: **29/708,253**

(22) Filed: **Oct. 4, 2019**

**Related U.S. Application Data**

(62) Division of application No. 29/651,324, filed on Apr.  
27, 2018, now Pat. No. Des. 875,509.

(51) **LOC (12) Cl.** ..... **08-05**

(52) **U.S. Cl.**  
USPC ..... **D8/358**

(58) **Field of Classification Search**  
USPC ..... D8/358, 359, 356, 360.1; D22/140;  
D13/155  
CPC ..... B65H 2701/33; B65H 75/4471; Y10T  
137/6954; Y10T 137/6899  
See application file for complete search history.

(56) **References Cited**

**U.S. PATENT DOCUMENTS**

D222,661 S	11/1971	Nichols	
D229,821 S *	1/1974	Bourbenne	D8/358
D239,004 S	3/1976	Chope	
D240,192 S	6/1976	Balmer, Jr.	
D244,808 S	6/1977	Ubermuth	
D265,972 S	8/1982	Black	
D271,077 S	10/1983	Houghton	
D277,260 S	1/1985	Dickens	
D308,716 S *	6/1990	Erickson	D22/137

D355,584 S	2/1995	Clivio	
D360,726 S *	7/1995	Carter	D34/24
D379,425 S	5/1997	Wright	
D408,720 S	4/1999	Sheng	
6,199,617 B1	3/2001	Schweiss	
6,866,080 B2	3/2005	Schweiss	
D556,548 S	12/2007	Lin	
D582,754 S	12/2008	Stein	

(Continued)

*Primary Examiner* — Eliza Z Bennett-Hattan

(74) *Attorney, Agent, or Firm* — Richard John Bartz

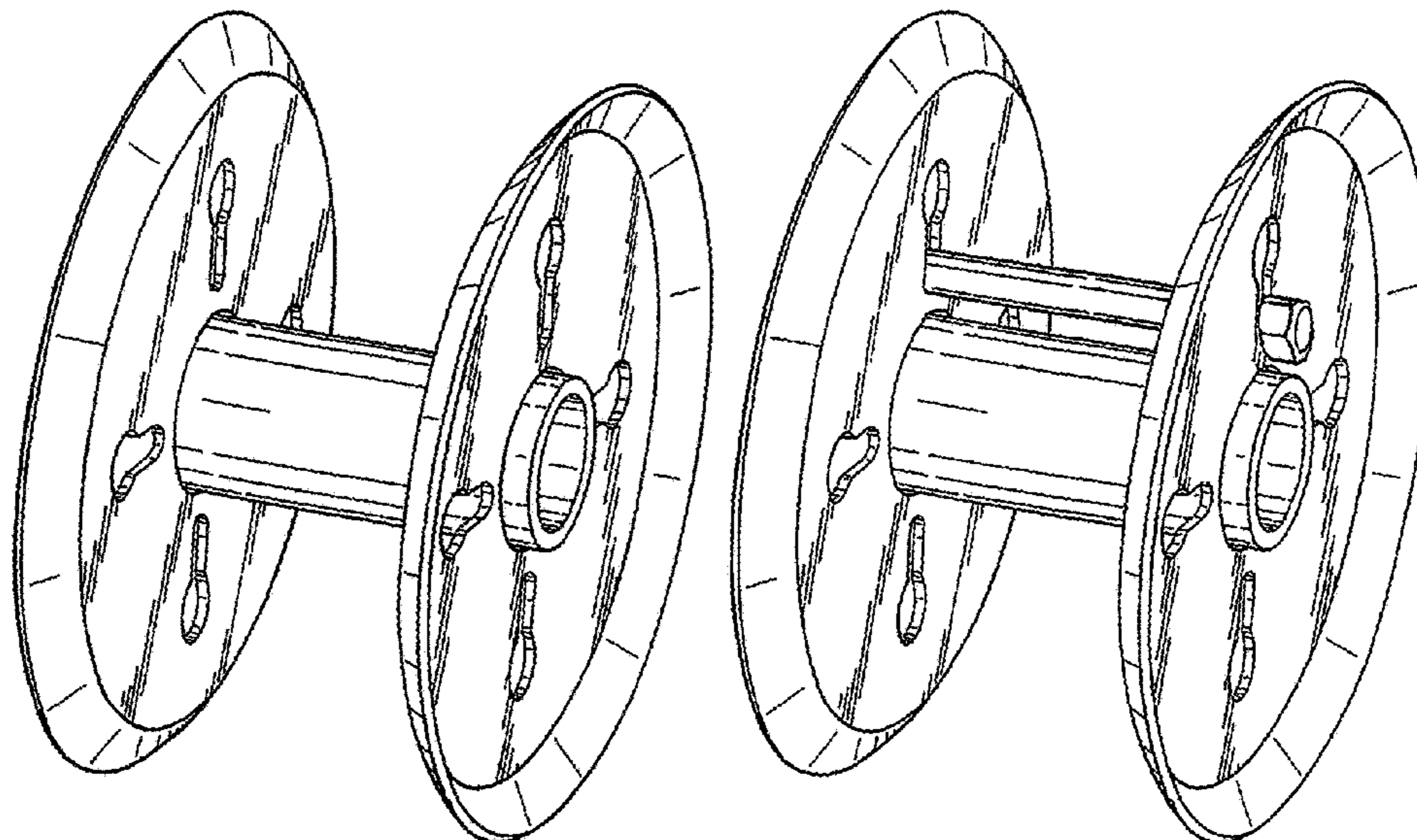
(57) **CLAIM**

The ornamental design for a strap lift drum, as shown and described.

**DESCRIPTION**

FIG. 1 is a perspective view of a first embodiment of the strap lift drum of my design;  
 FIG. 2 is a front elevational view of FIG. 1;  
 FIG. 3 is a rear elevational view of FIG. 1;  
 FIG. 4 is a top plan view of FIG. 1;  
 FIG. 5 is a bottom plan view of FIG. 1;  
 FIG. 6 is a right side elevational view of FIG. 1;  
 FIG. 7 is a left side elevational view of FIG. 1;  
 FIG. 8 is a sectional view taken along line 8-8 of FIG. 6;  
 FIG. 9 is a sectional view taken along line 9-9 of FIG. 6;  
 FIG. 10 is a perspective view of a second embodiment of the strap lift drum of my design;  
 FIG. 11 is a front elevational view of FIG. 10;  
 FIG. 12 is a rear elevational view of FIG. 10;  
 FIG. 13 is a top plan view of FIG. 10;  
 FIG. 14 is a bottom plan view of FIG. 10;  
 FIG. 15 is a right side elevational view of FIG. 10;  
 FIG. 16 is a left side elevational view of FIG. 10;  
 FIG. 17 is a sectional view taken along line 17-17 of FIG. 16; and,  
 FIG. 18 is a sectional view taken along line 18-18 of FIG. 16.

**1 Claim, 12 Drawing Sheets**



(56)

**References Cited**

U.S. PATENT DOCUMENTS

D875,509 S \* 2/2020 Schweiss ..... D8/358  
2017/0074019 A1 3/2017 Schweiss

\* cited by examiner

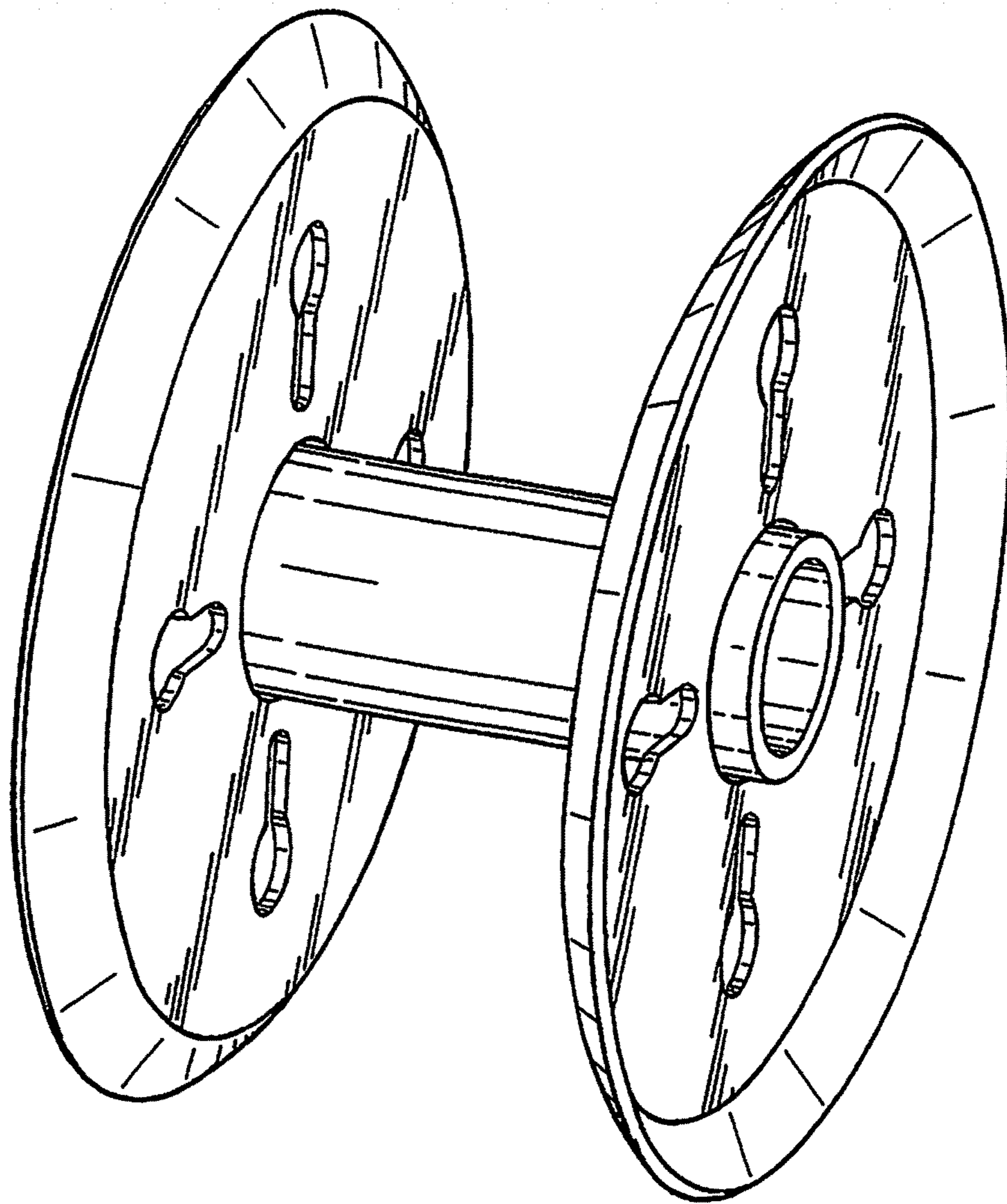


FIG.1

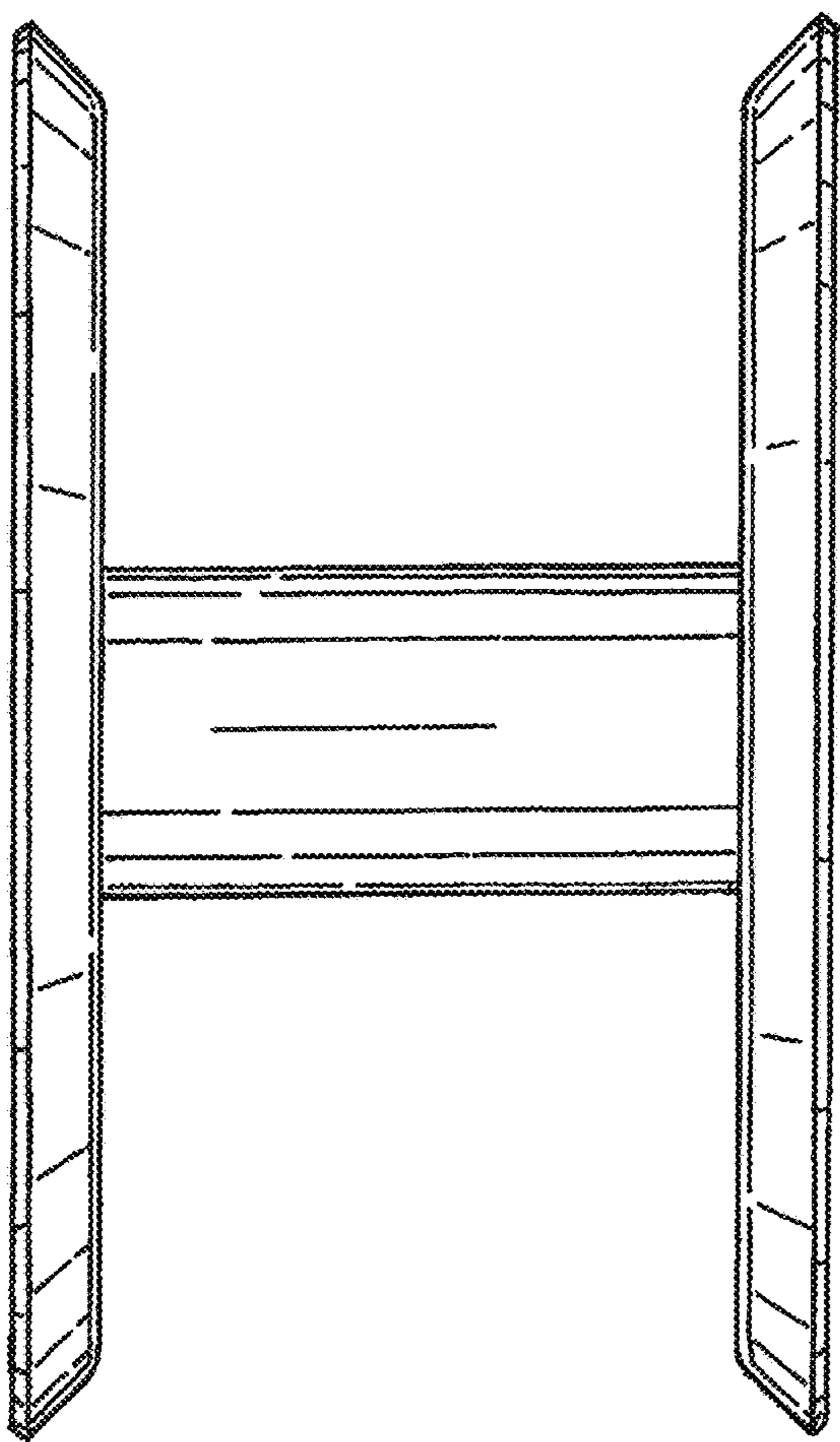


FIG. 2

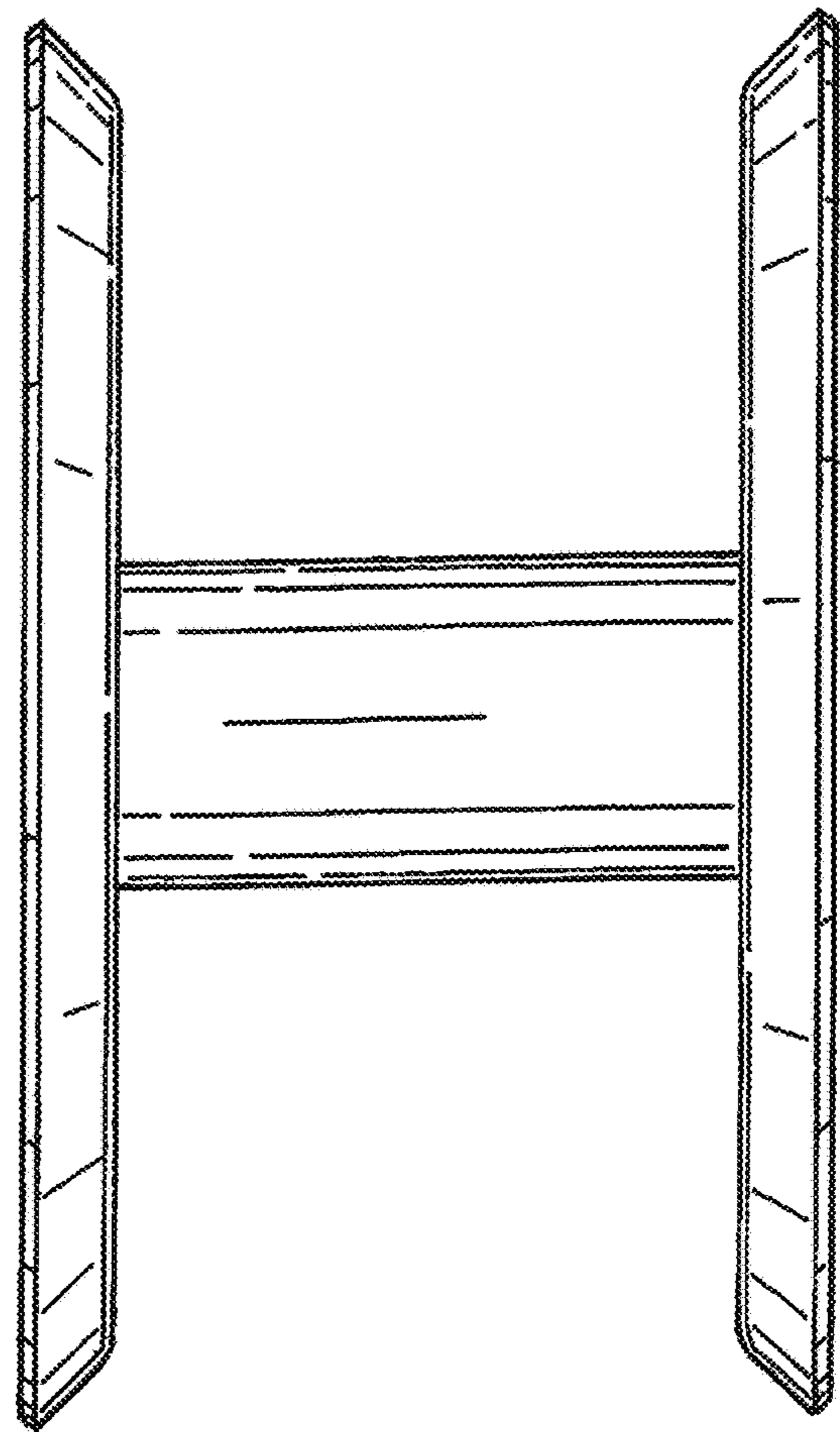


FIG. 3

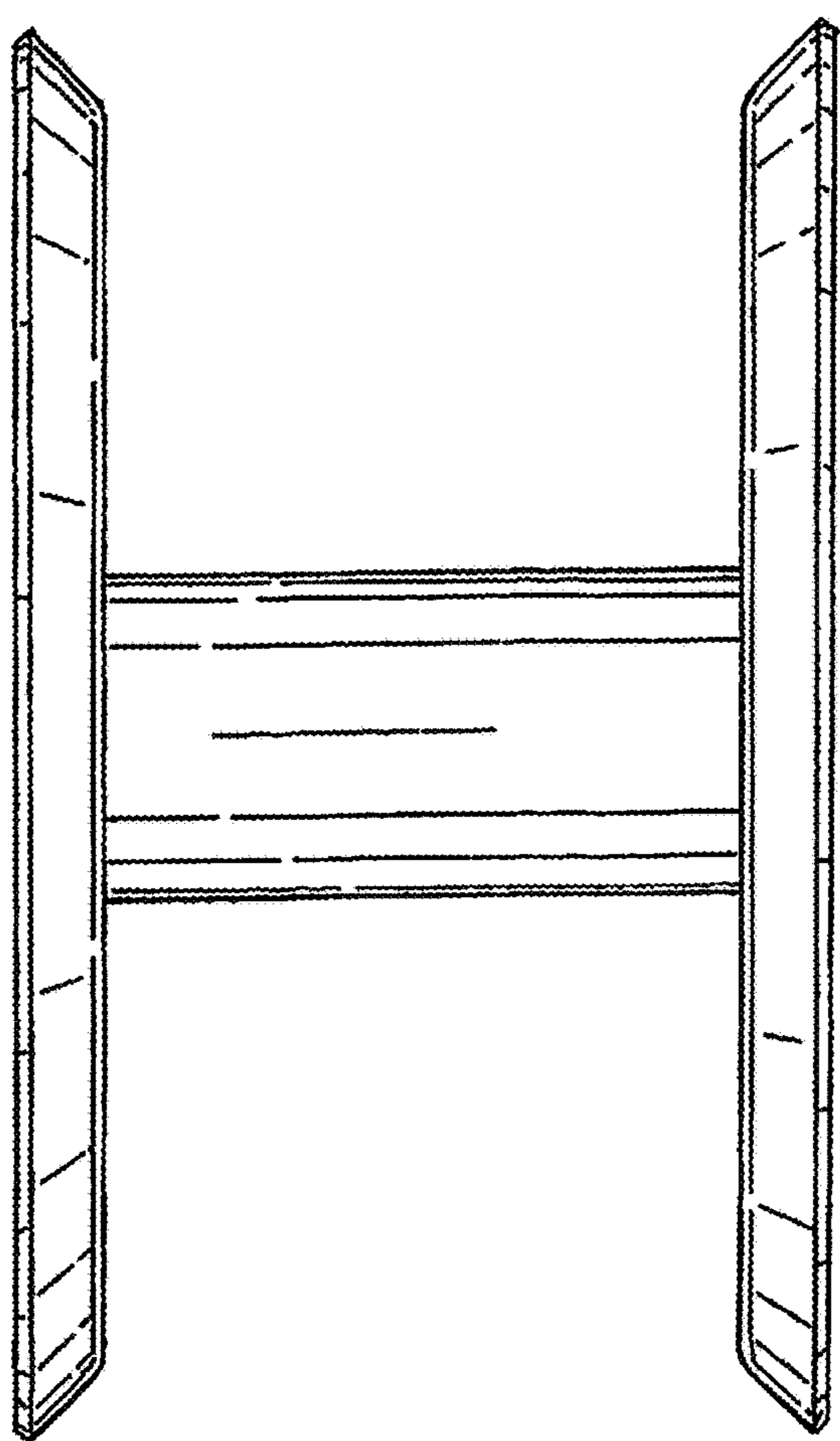


FIG. 4

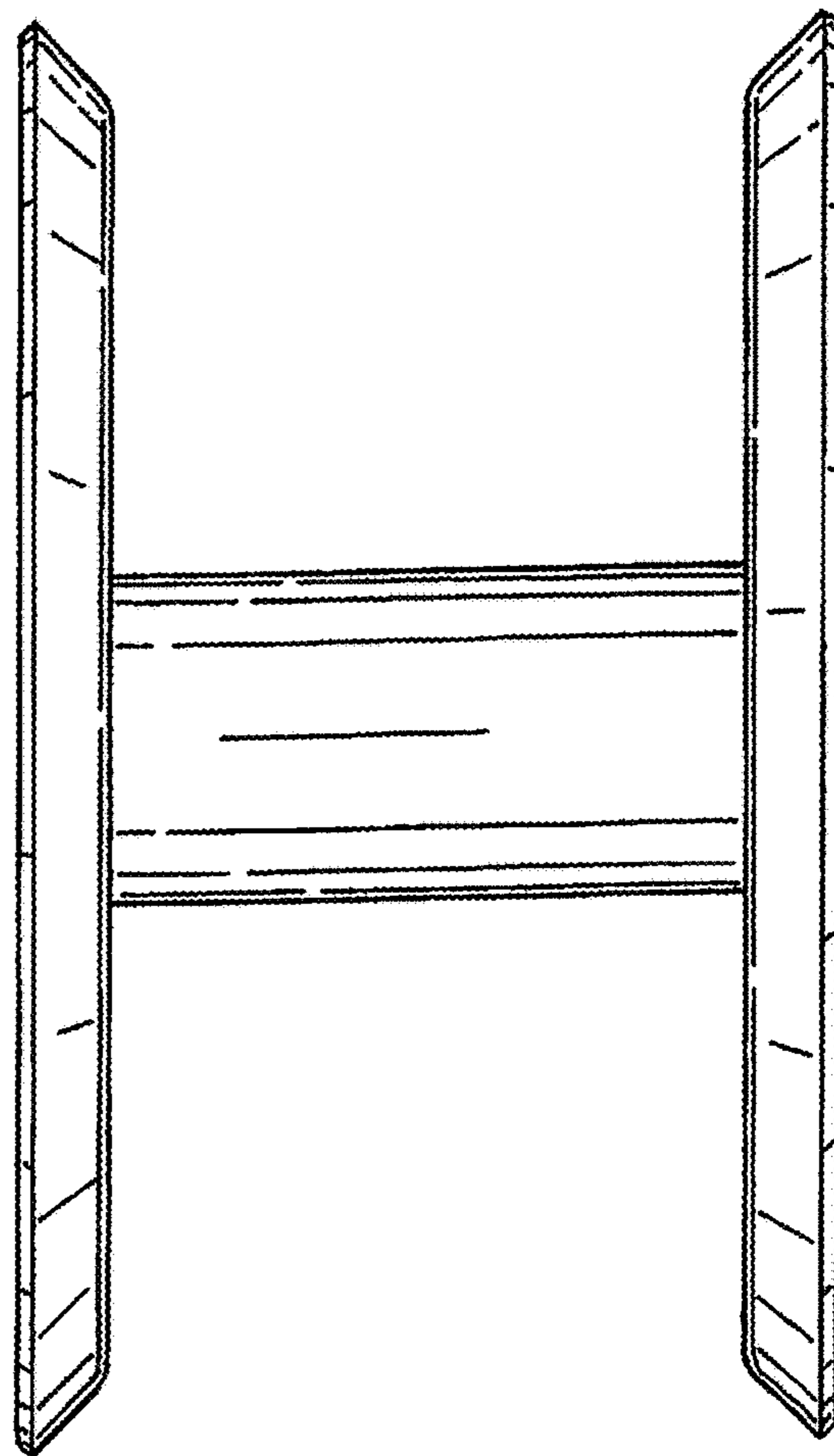


FIG. 5

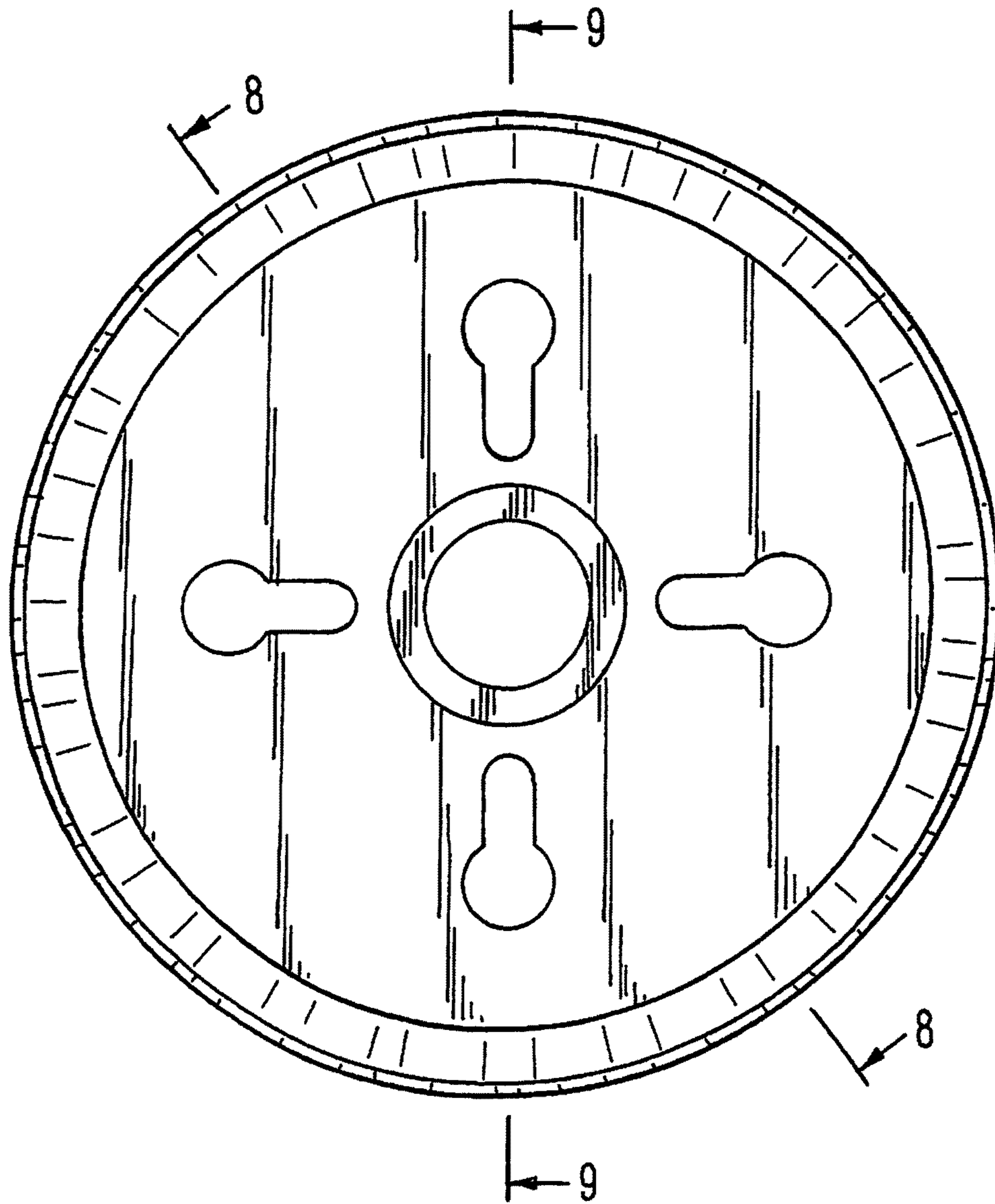


FIG. 6

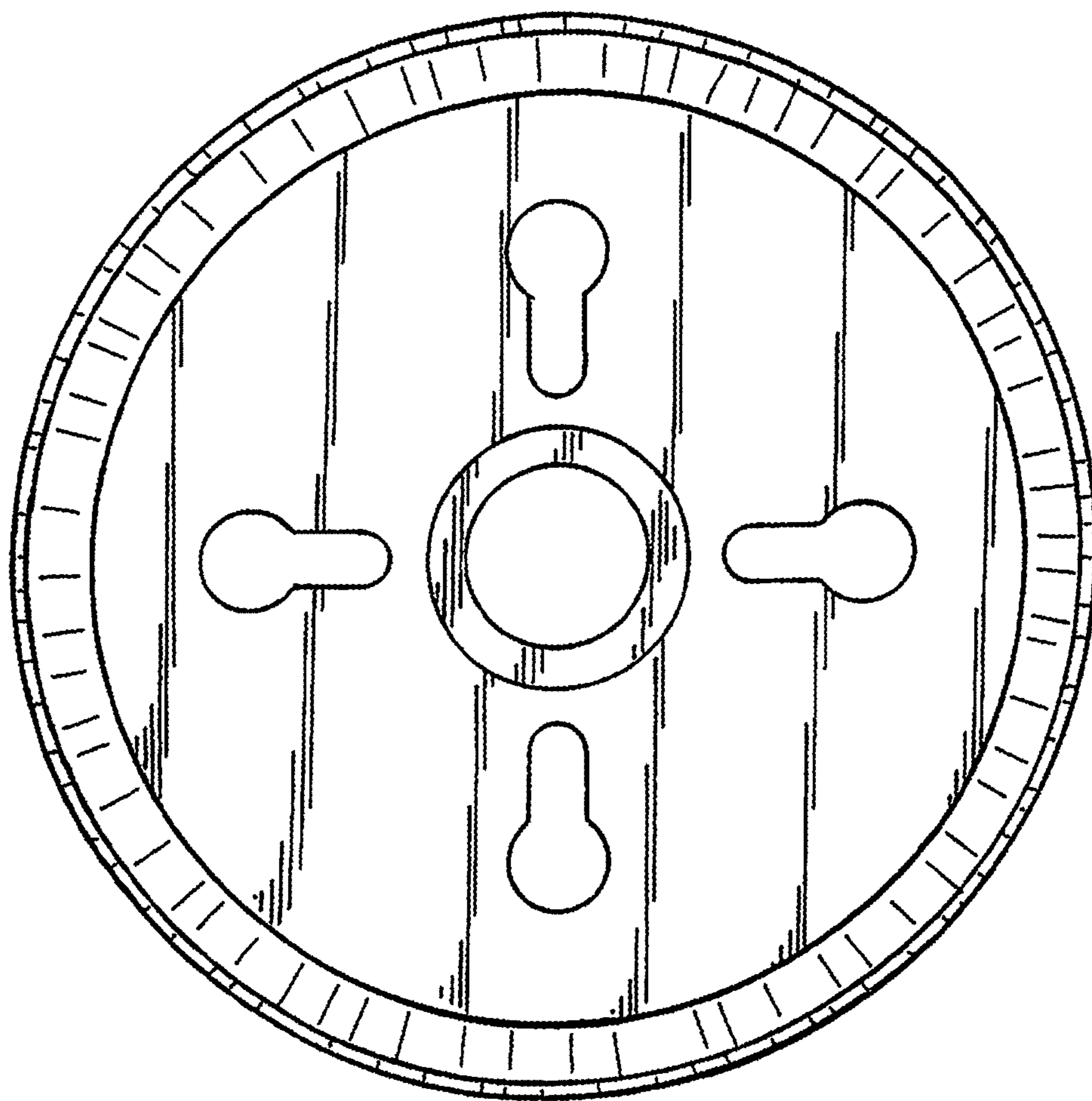


FIG. 7

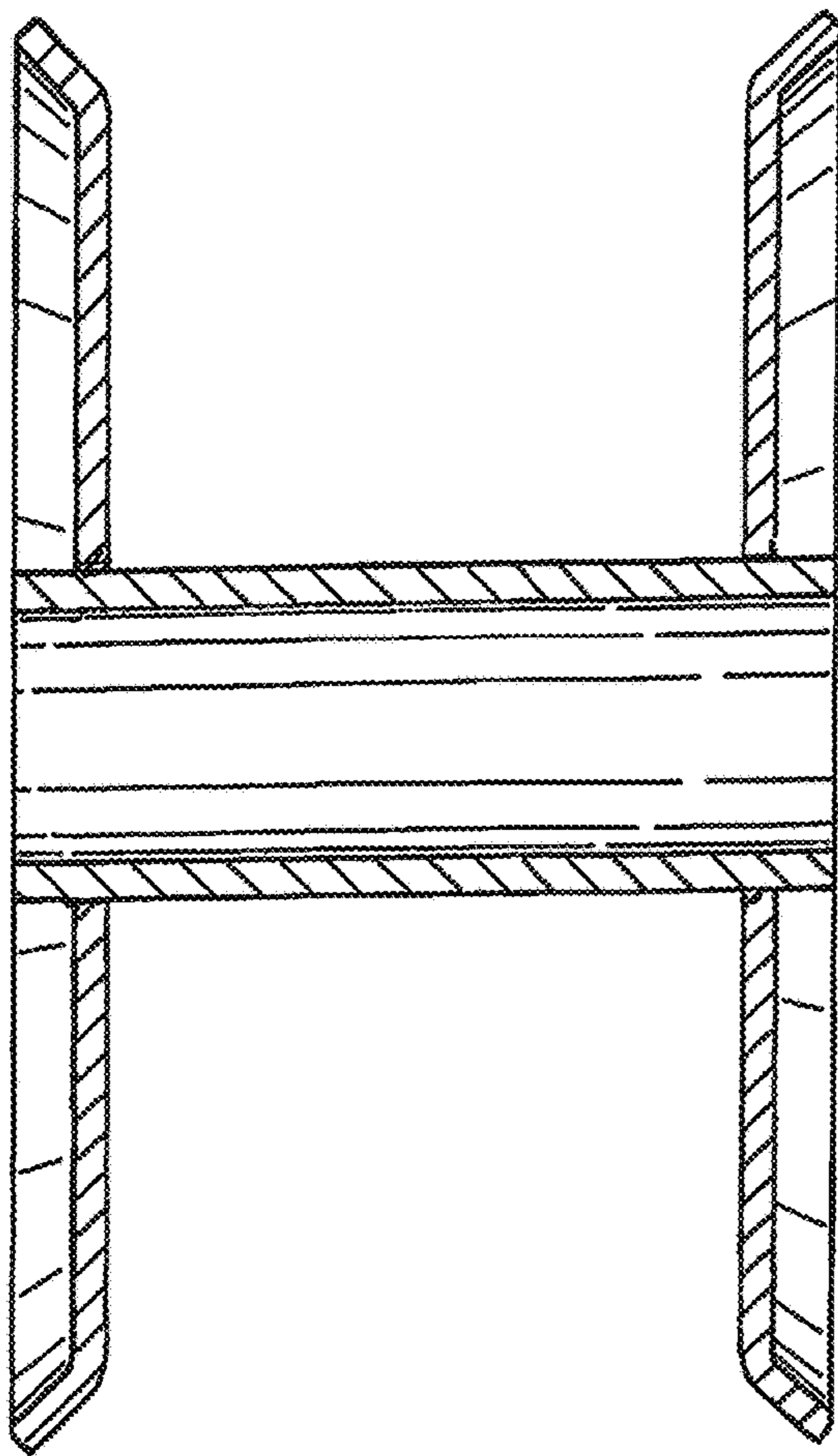


FIG. 8

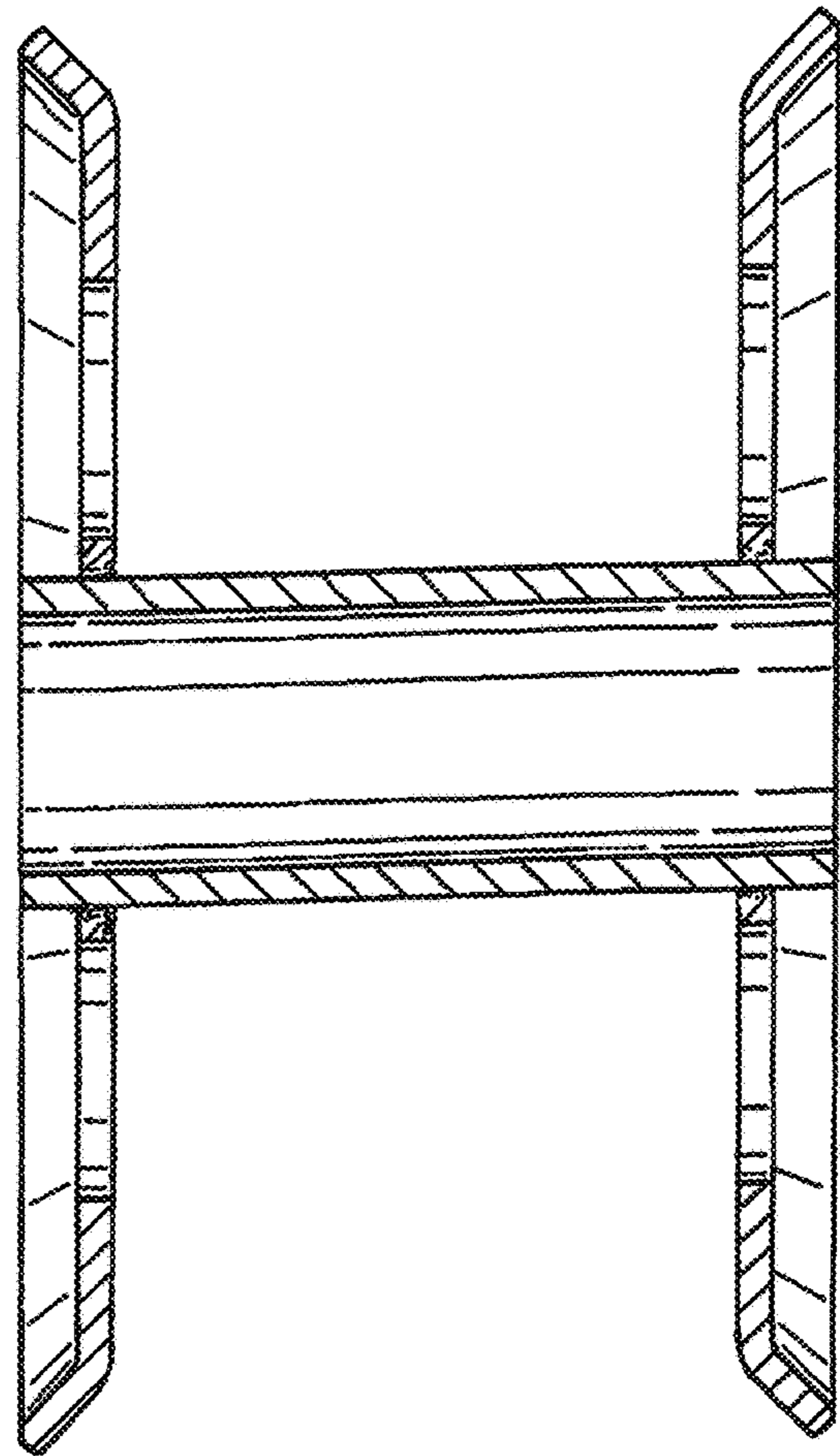


FIG. 9



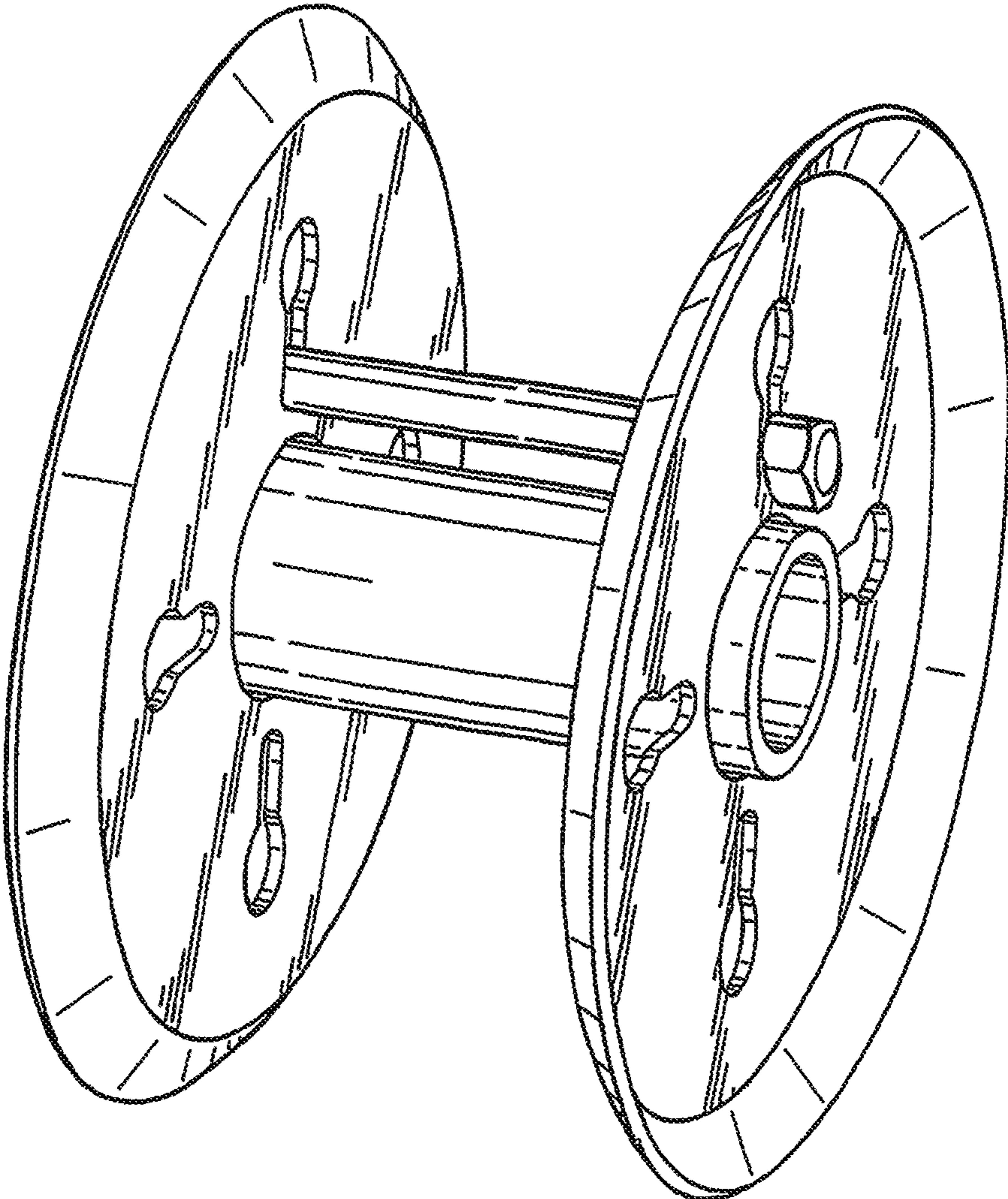


FIG. 10

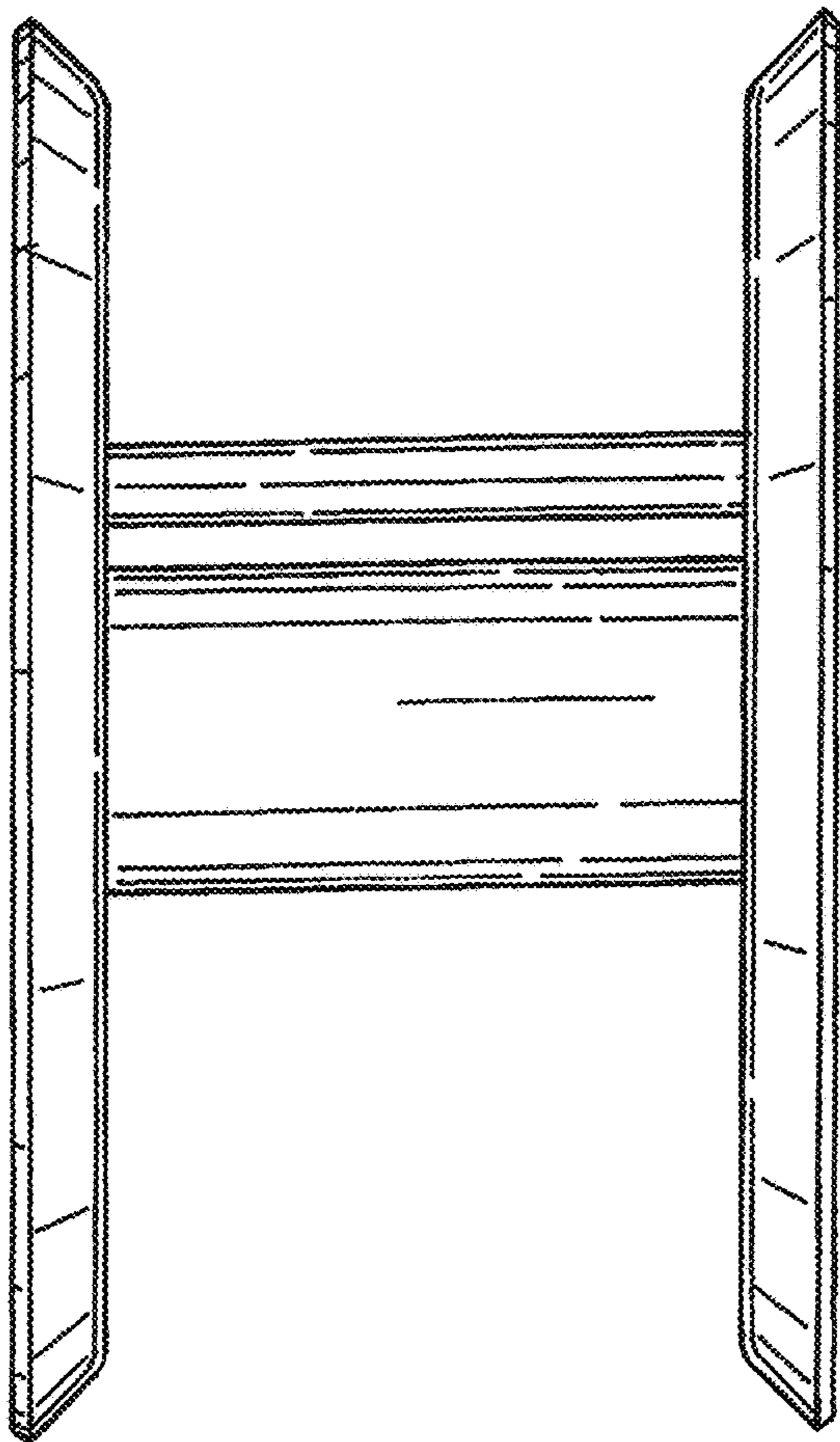


FIG. 11

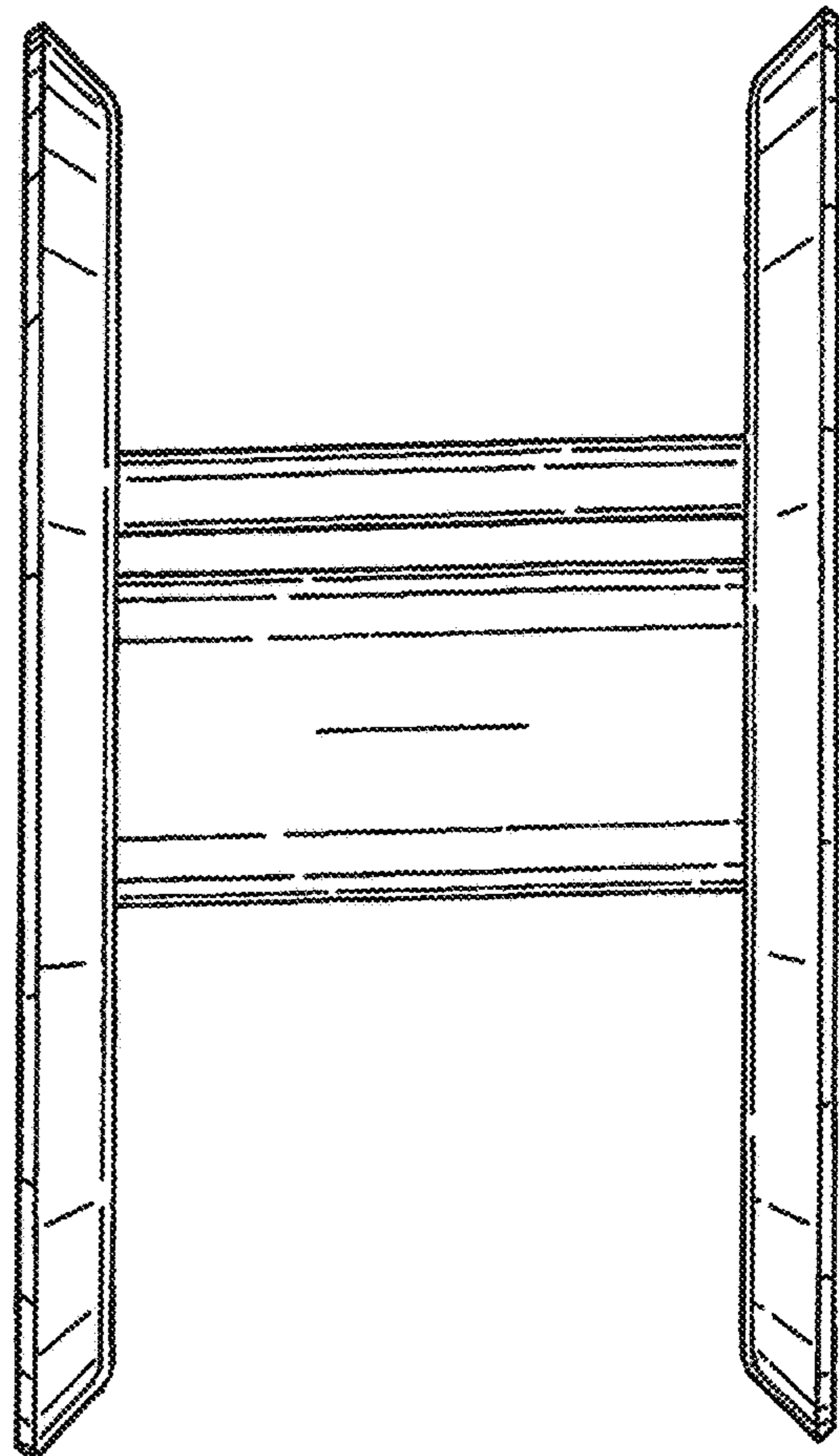


FIG. 12

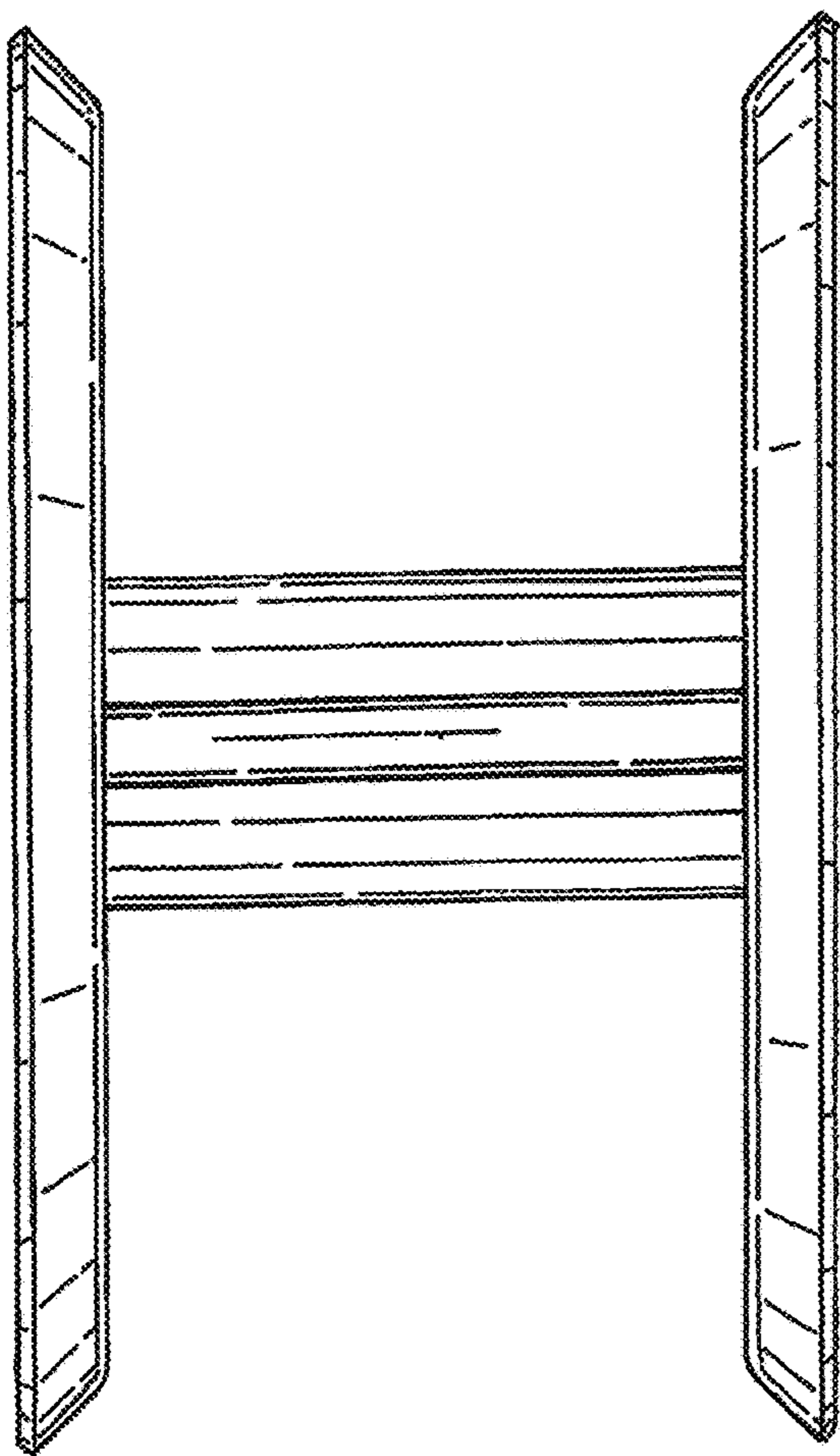


FIG.13

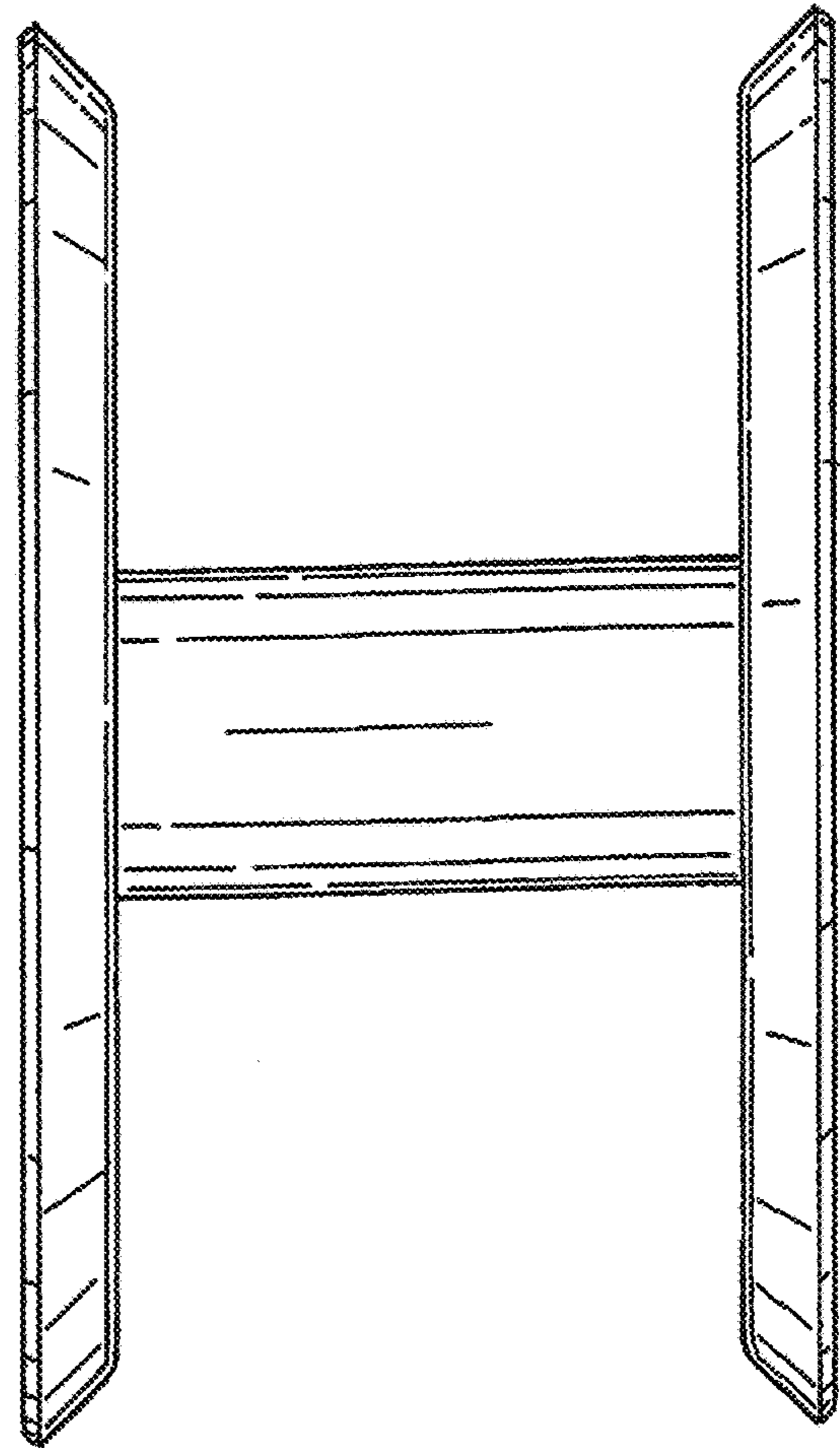


FIG.14

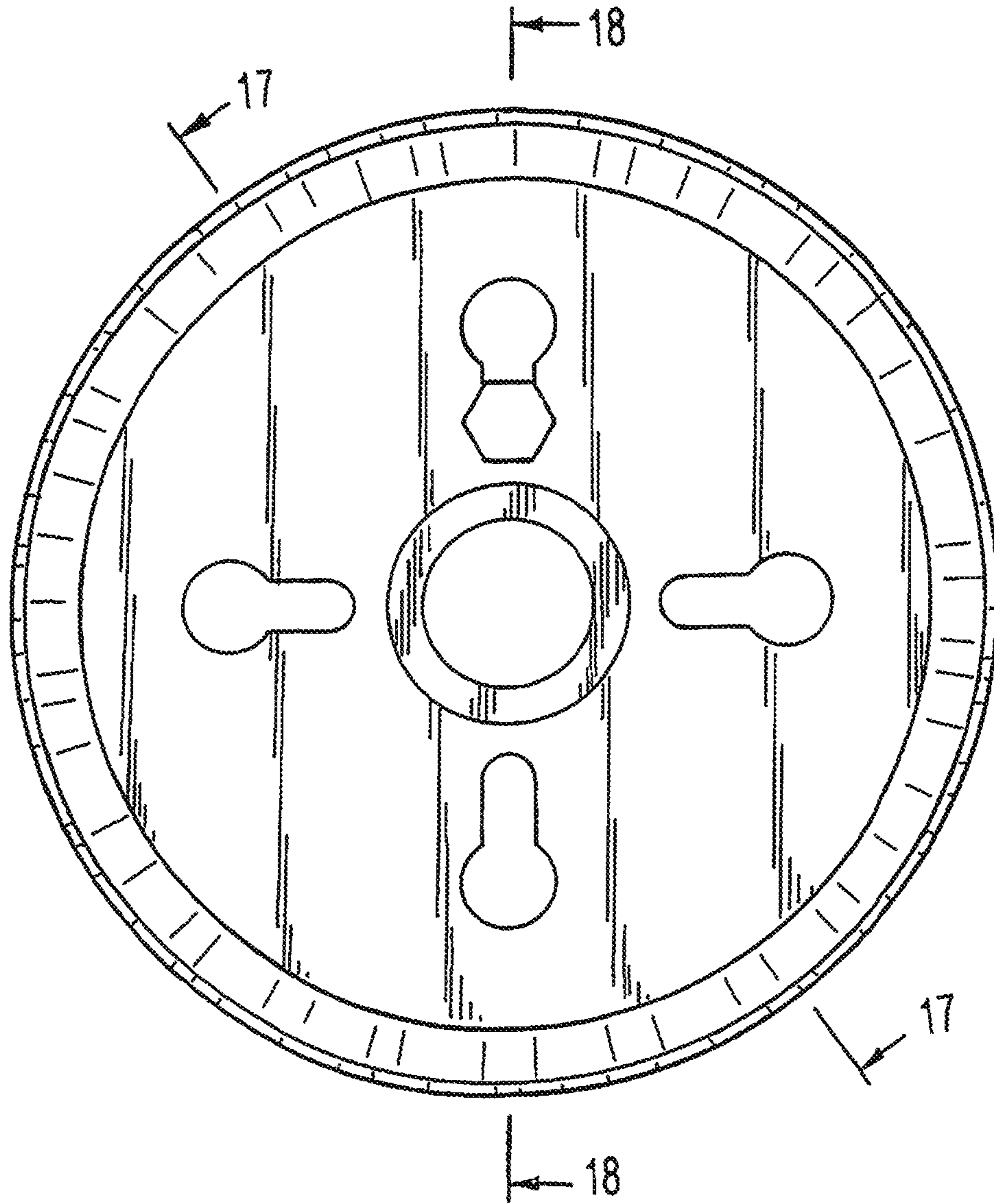


FIG.15

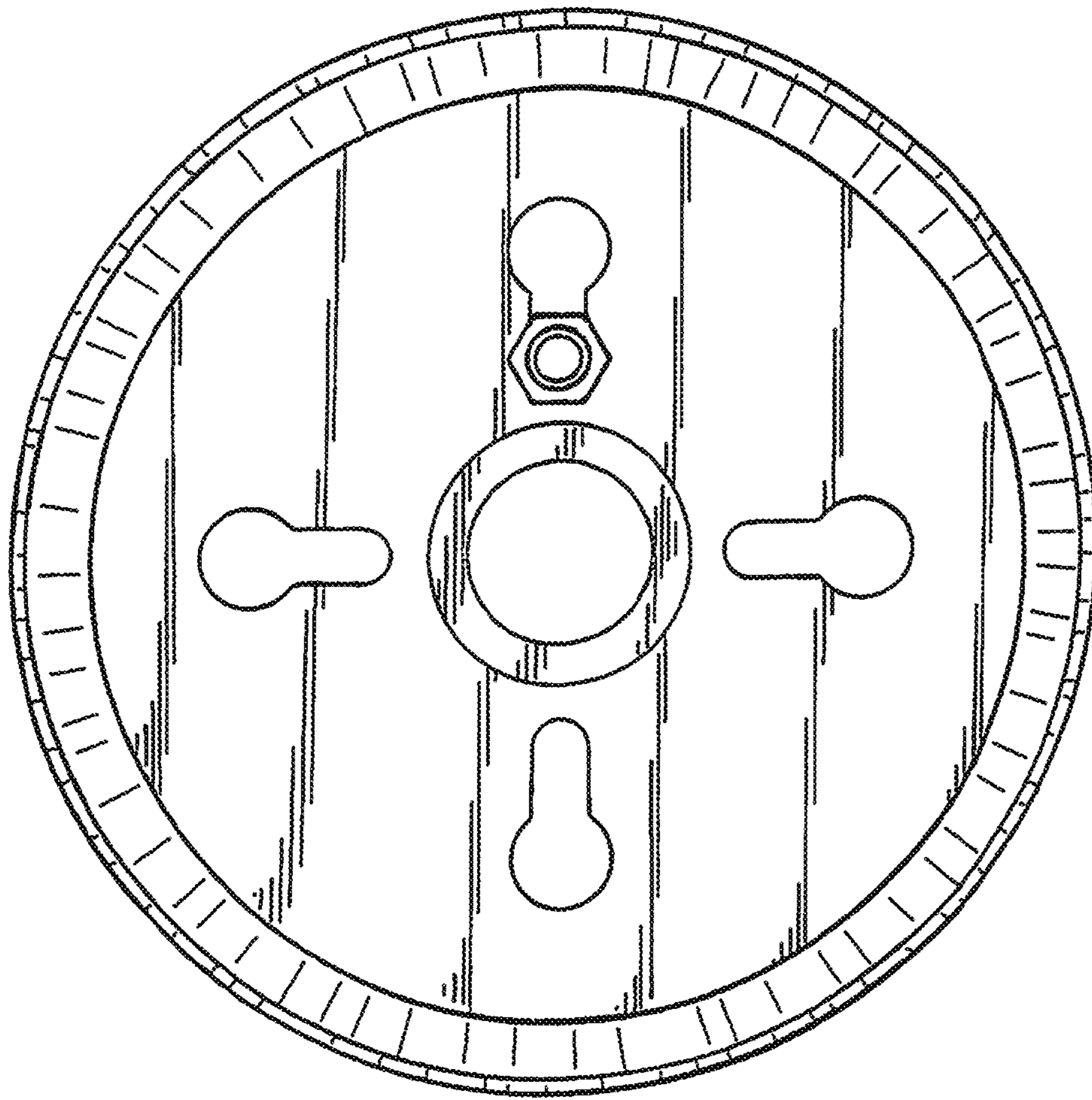


FIG. 16

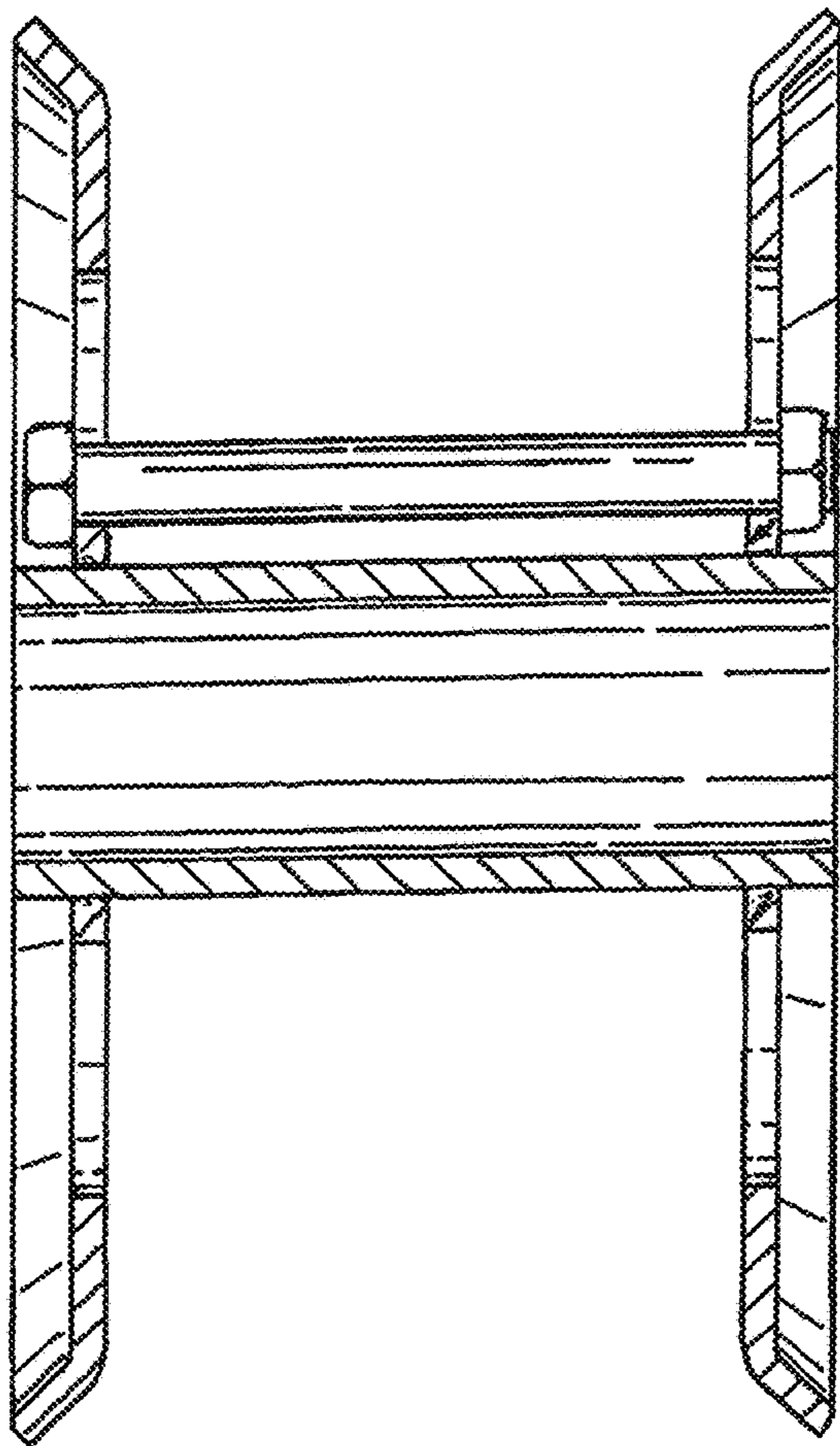


FIG. 17

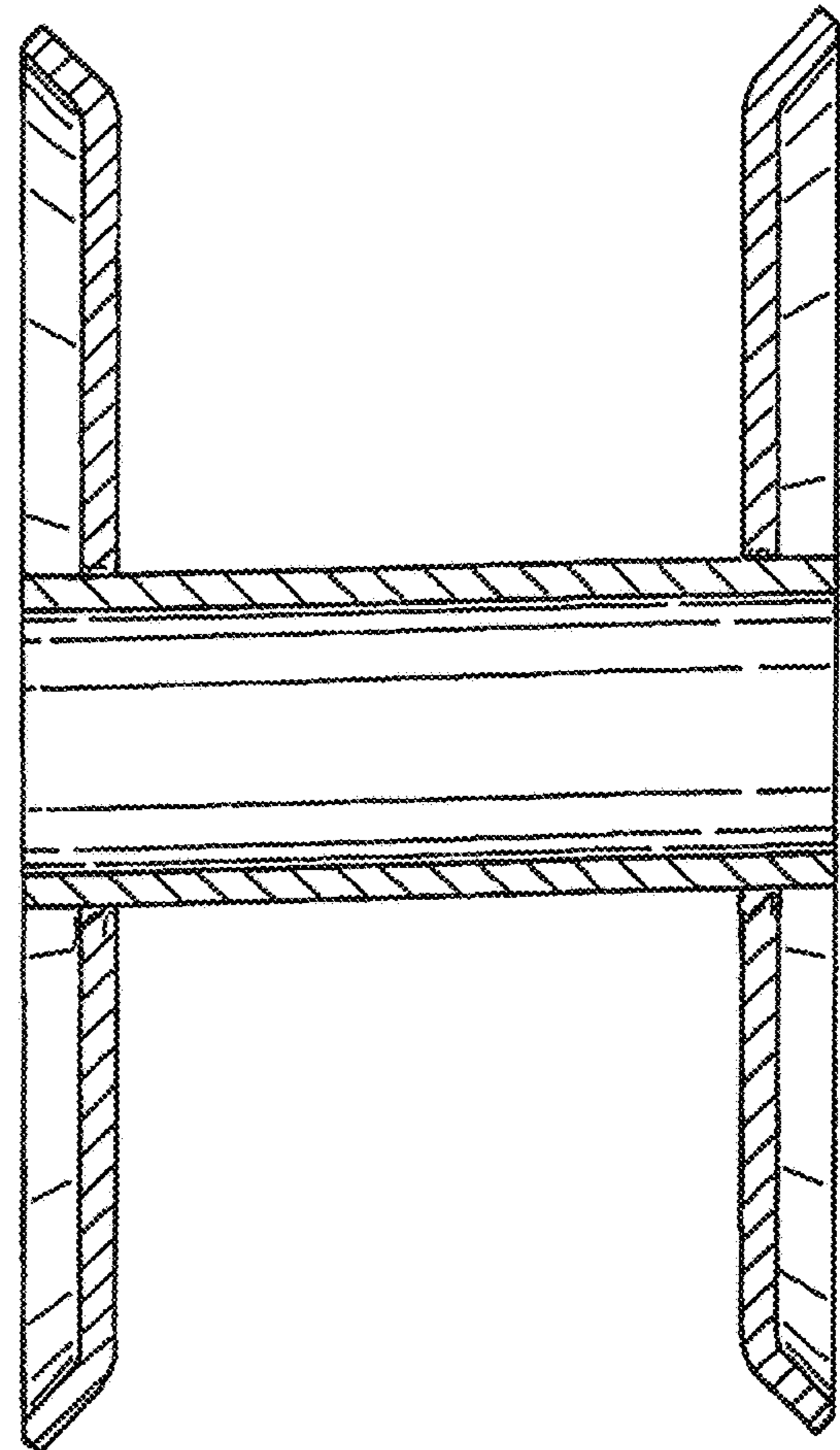


FIG. 18