



US00D904862S

(12) **United States Design Patent** (10) **Patent No.:** **US D904,862 S**
Nighswander et al. (45) **Date of Patent:** **** Dec. 15, 2020**

(54) **TELESCOPING LINK**
(71) Applicant: **Swivel-Link, LLC**, Hicksville, OH (US)
(72) Inventors: **Anthony R. Nighswander**, Hicksville, OH (US); **Chad A. Sprow**, Continental, OH (US); **Roger W. Sanders**, Antwerp, OH (US); **Travis G. Hughes**, Antwerp, OH (US)
(73) Assignee: **Swivel-Link, LLC**, Hicksville, OH (US)

6,523,707 B2 * 2/2003 Liu A45B 19/04
211/206
D519,820 S * 5/2006 Newman D8/1
7,891,619 B2 * 2/2011 Perlman F16B 7/1418
248/229.14
D736,600 S * 8/2015 Rossano D8/355
D796,133 S * 8/2017 Larouche D32/31

* cited by examiner

Primary Examiner — Keli L Hill
Assistant Examiner — Harold E Blackwell, II
(74) *Attorney, Agent, or Firm* — Taylor IP, P.C.

(**) Term: **15 Years**
(21) Appl. No.: **29/686,248**
(22) Filed: **Apr. 3, 2019**
(51) **LOC (12) Cl.** **08-05**
(52) **U.S. Cl.**
USPC **D8/355**
(58) **Field of Classification Search**
USPC D8/349, 350, 353, 354, 355, 356, 359,
D8/366, 367, 373, 374, 394; D22/134,
D22/137, 138, 139, 142; D3/393, 302,
D3/905; D6/325, 523, 524, 546, 550;
D23/262, 266; D24/129; D32/19, 32, 33
CPC E04H 4/1663; E04H 4/1654
See application file for complete search history.

(57) **CLAIM**

The ornamental design for a telescoping link, as shown and described.

DESCRIPTION

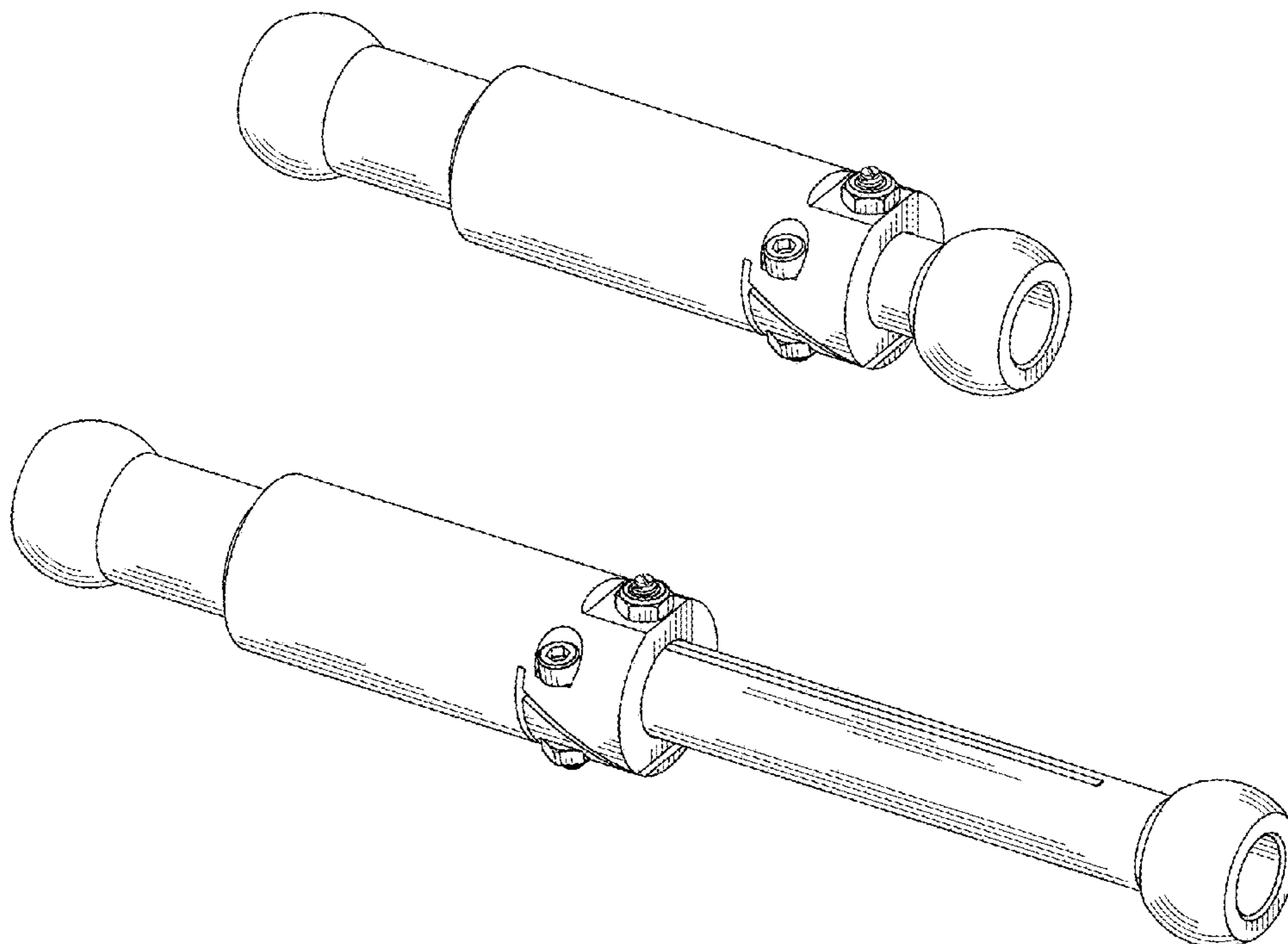
FIG. 1 is a perspective view of a telescoping link showing my new design;
FIG. 2 is a side view thereof;
FIG. 3 is another side view thereof;
FIG. 4 is another side view thereof;
FIG. 5 is another side view thereof;
FIG. 6 is an end view thereof;
FIG. 7 is an opposite end view thereof;
FIG. 8 illustrates the telescoping link with the link partially extended from the housing; and,
FIG. 9 illustrates the telescoping link with the link fully extended from the housing.

(56) **References Cited**

U.S. PATENT DOCUMENTS

D345,905 S * 4/1994 Hallgren D8/355
D354,554 S * 1/1995 Newman, Sr. D23/266

1 Claim, 3 Drawing Sheets



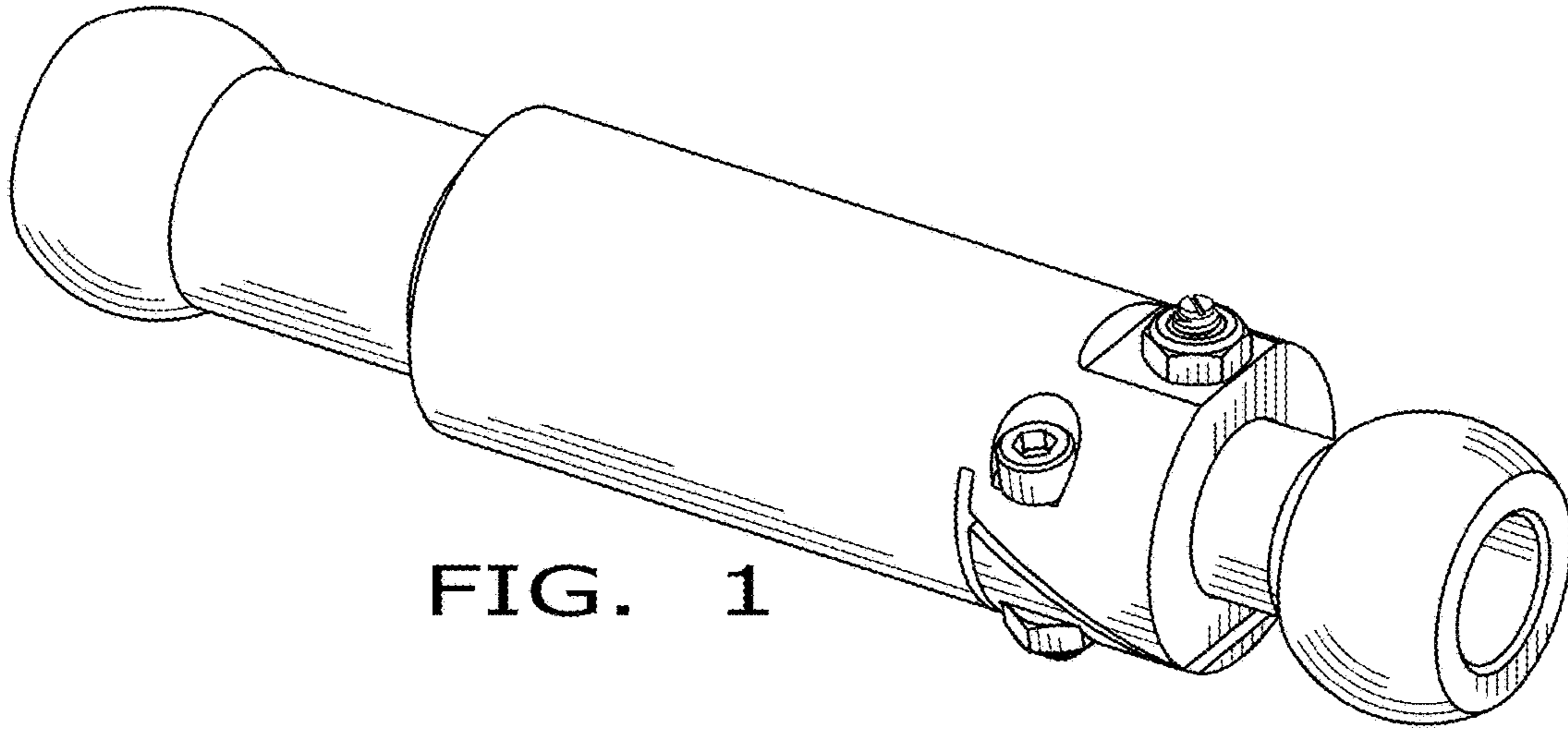


FIG. 1

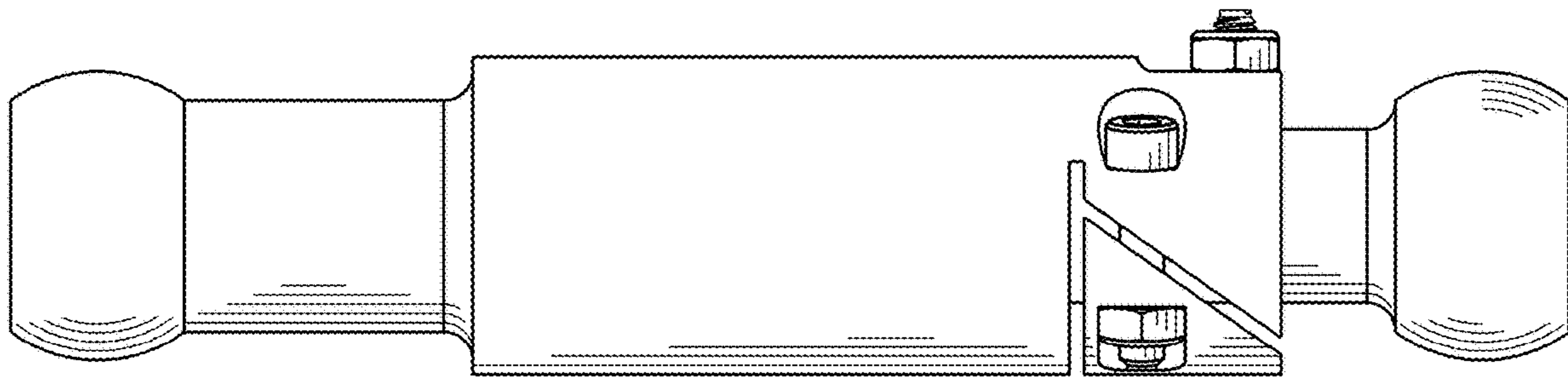


FIG. 2

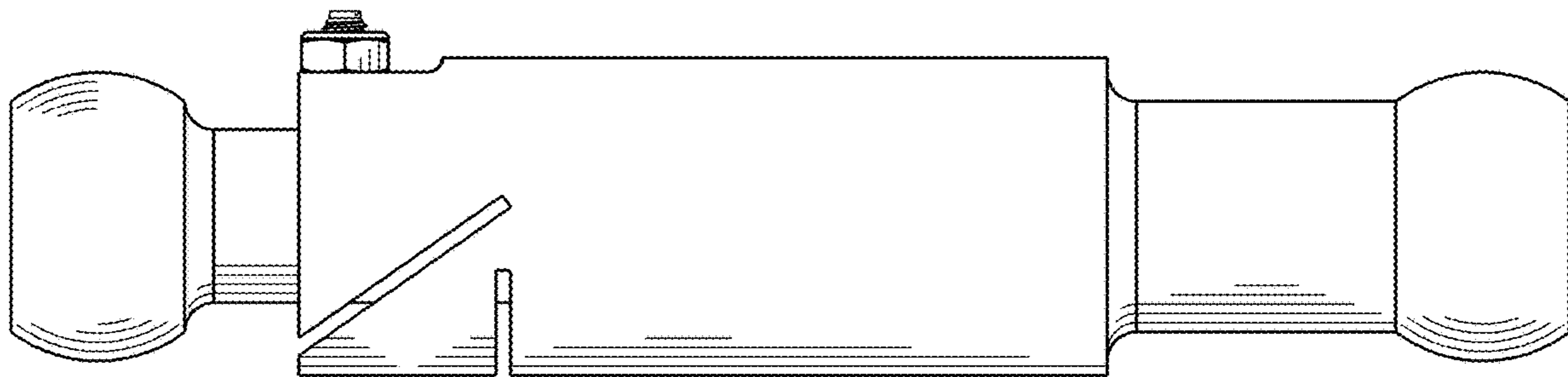


FIG. 3

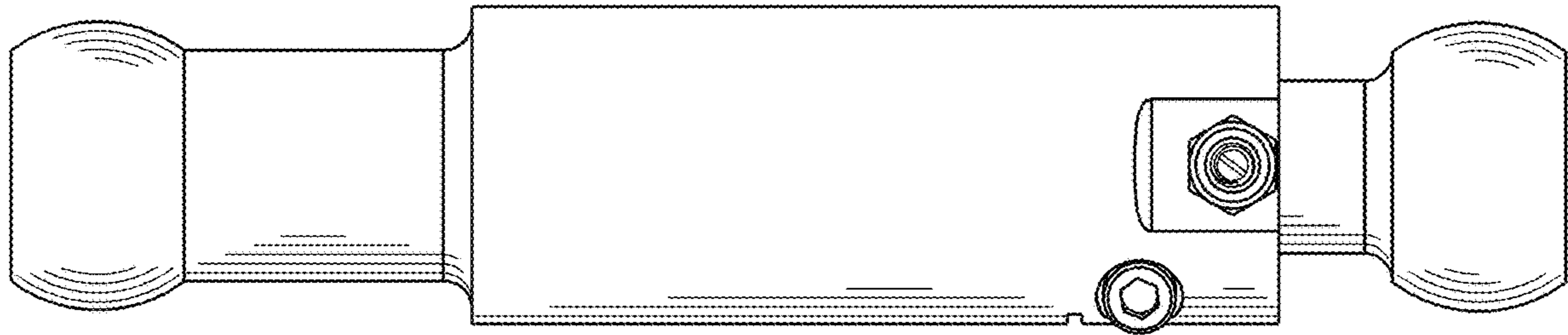


FIG. 4

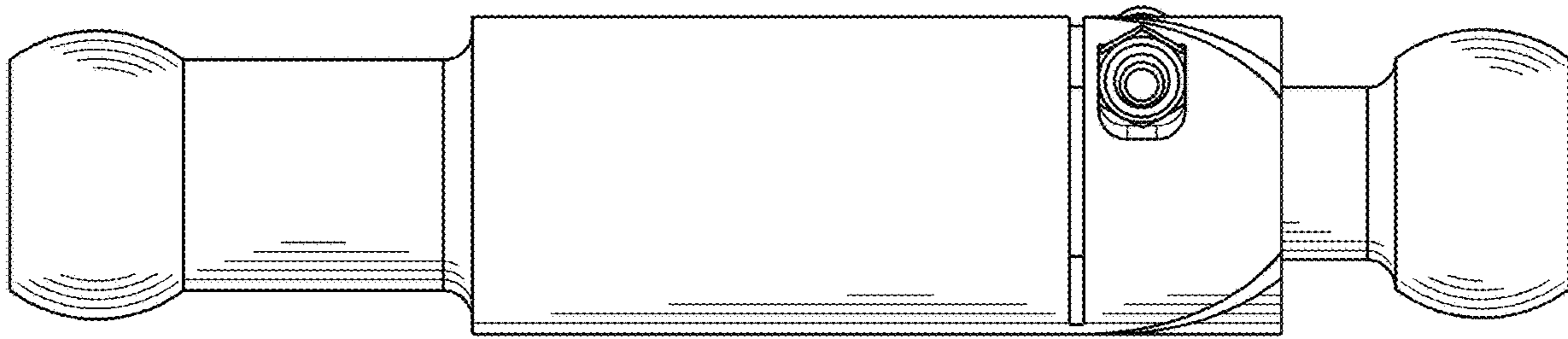


FIG. 5

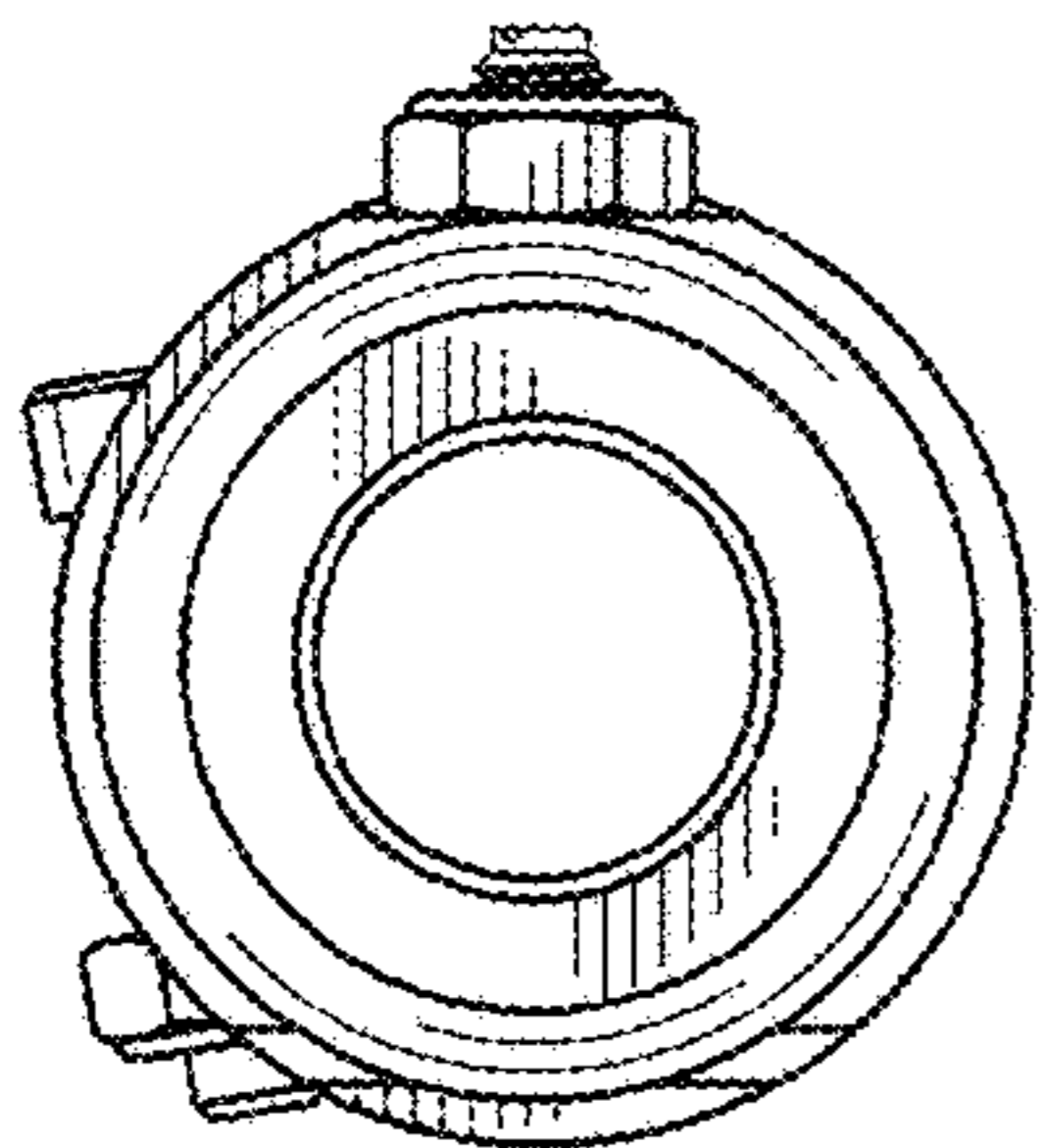


FIG. 6

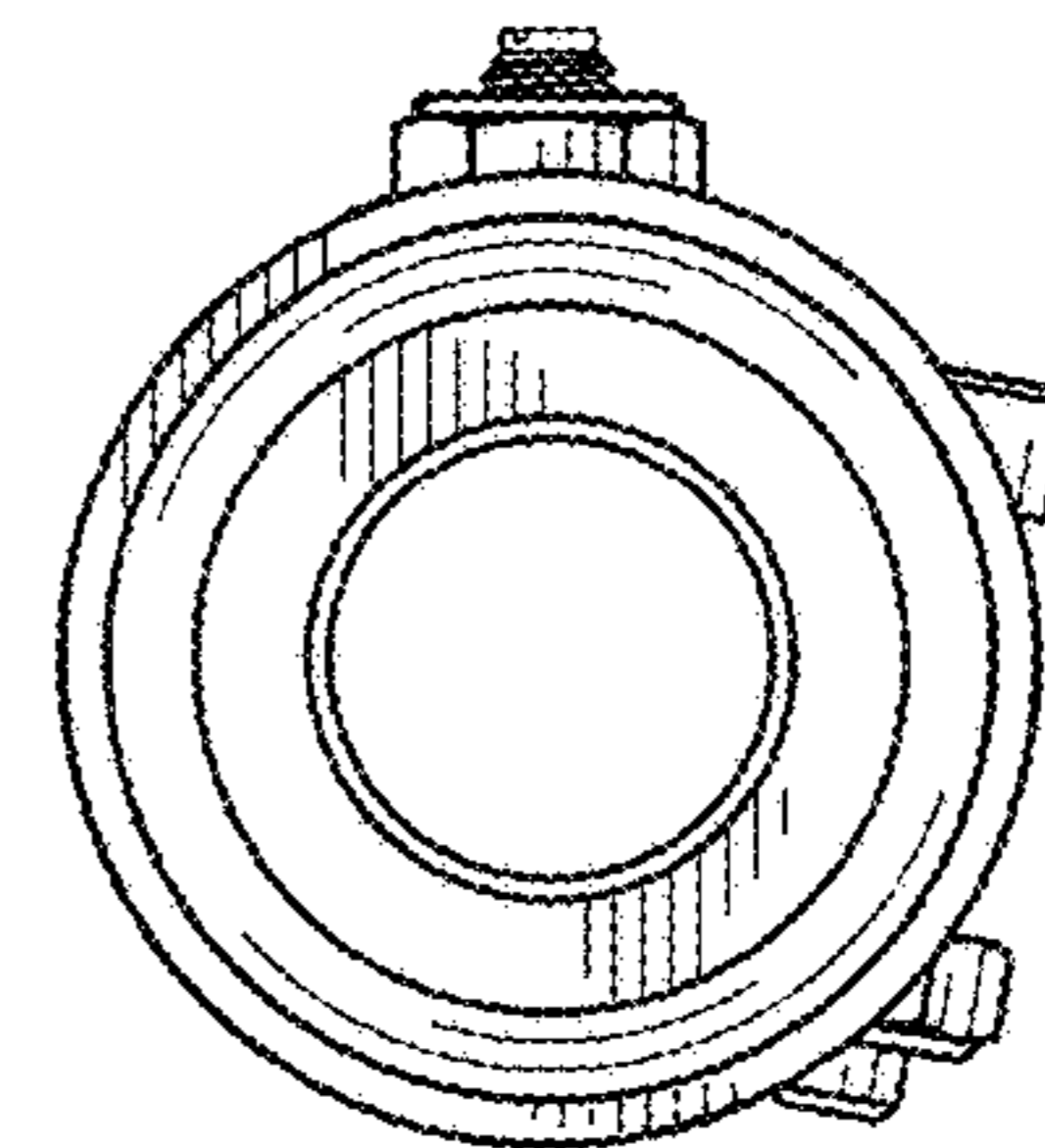


FIG. 7

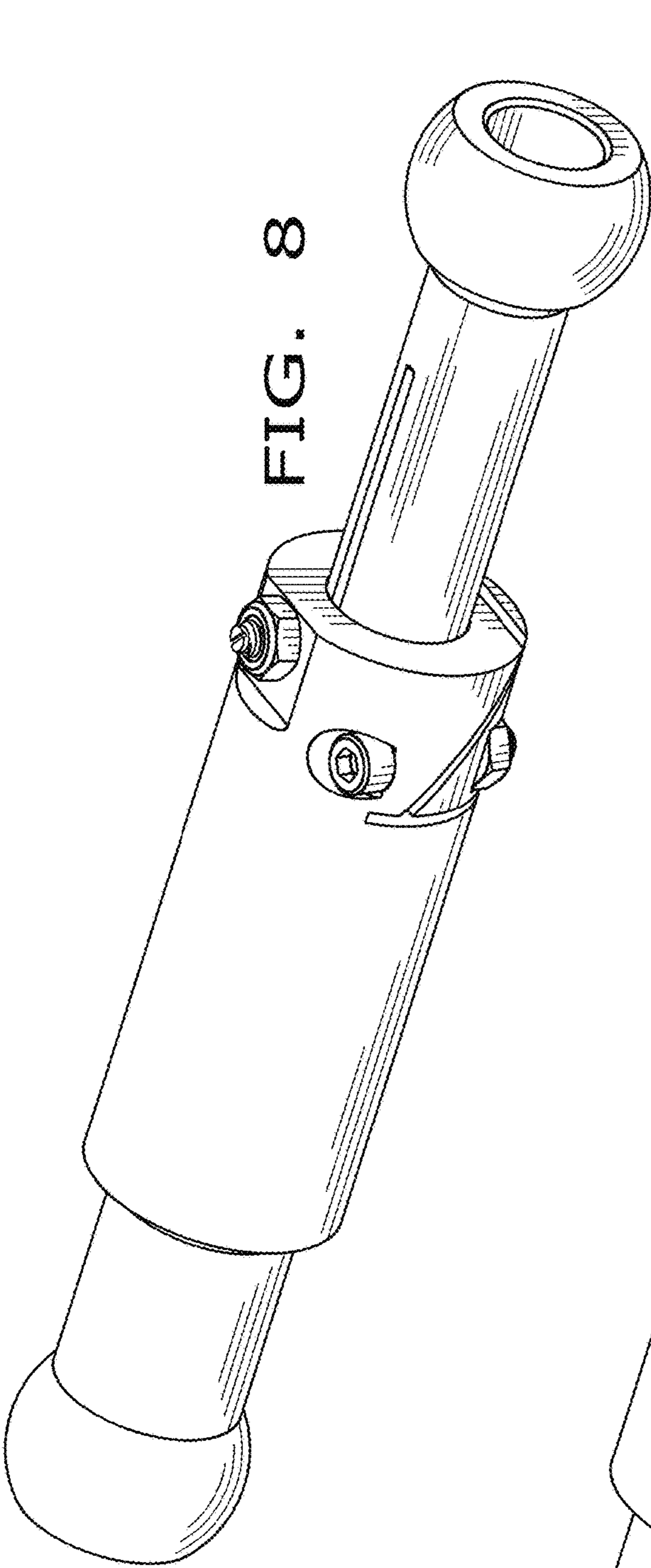


FIG. 8

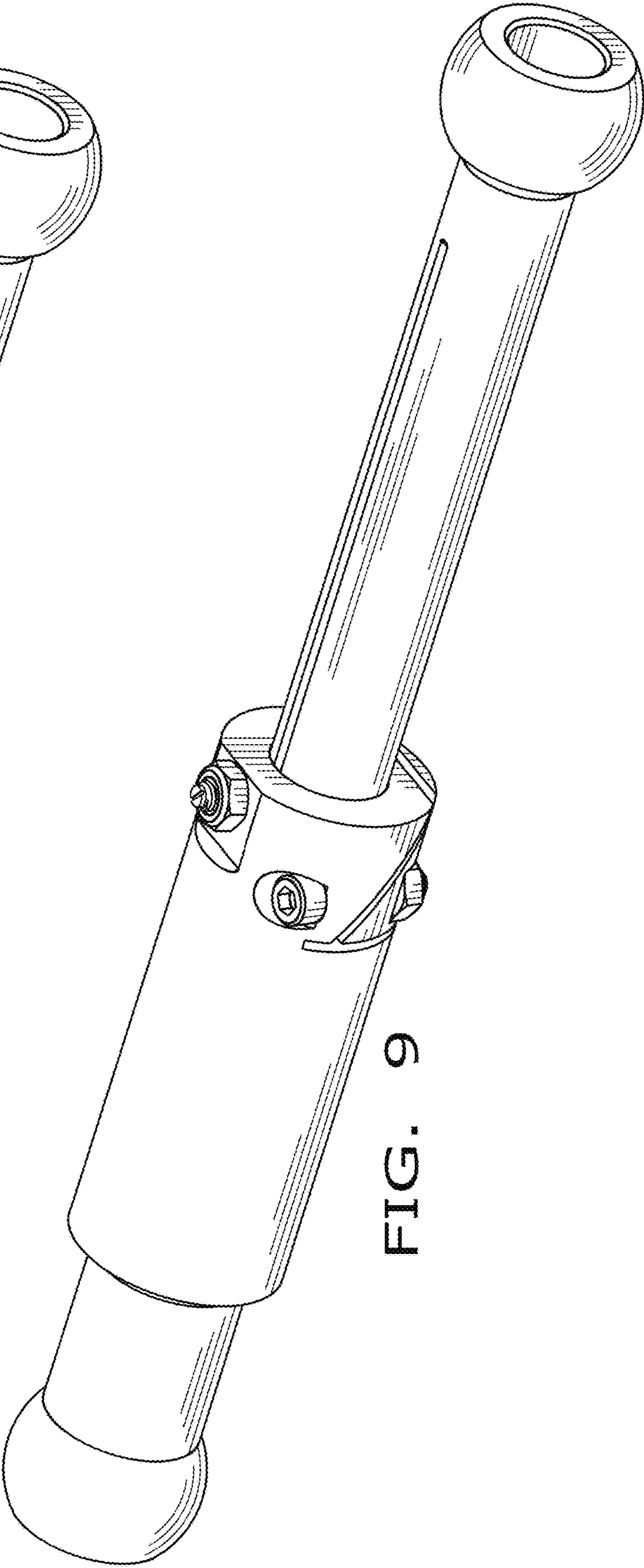


FIG. 9